



US00D412910S

United States Patent [19] Peiker

[11] **Patent Number: Des. 412,910**

[45] **Date of Patent: ** Aug. 17, 1999**

[54] **CELL PHONE RECEPTOR**

5,535,274 7/1996 Braitberg et al. 379/454 X

[76] Inventor: **Andreas Peiker**, Max-Planck-Strasse
32, D-61381 Friedrichsdorf/Ts.,
Germany

FOREIGN PATENT DOCUMENTS

0269096 6/1988 European Pat. Off. 379/455
405167657 7/1993 Japan 379/455

[**] Term: **14 Years**

Primary Examiner—Jeffrey Asch

[21] Appl. No.: **29/068,653**

[57] CLAIM

[22] Filed: **Mar. 17, 1997**

The ornamental design for a cell phone receptor, as shown and described.

[30] Foreign Application Priority Data

DESCRIPTION

Sep. 16, 1996 [CH] Switzerland 123559

FIG. 1 is a front elevational view of a cell phone receptor showing my new design;
FIG. 2 is a left side elevational view thereof;
FIG. 3 is a right side elevational view thereof;
FIG. 4 is a rear elevational view thereof;
FIG. 5 is a top plan view thereof;
FIG. 6 is a bottom plan view thereof;
FIG. 7 is a front perspective view thereof;
FIG. 8 is a rear perspective view thereof; and,
FIG. 9 is a front elevational view of a second embodiment of my new design, the other surfaces thereof being same in appearance as the first embodiment.

[51] **LOC (6) Cl.** **14-03**

[52] **U.S. Cl.** **D14/253**

[58] **Field of Search** D13/107, 108;
D14/137, 138, 147, 148, 149, 140, 142,
240, 251, 253; 379/419, 420, 428, 440,
454, 455, 446, 447; 455/575, 90

[56] References Cited

U.S. PATENT DOCUMENTS

- D. 354,961 1/1995 Richards et al. D14/253
- D. 362,004 9/1995 Nakano et al. D14/253
- D. 385,283 10/1997 Snyder et al. D13/108 X
- 4,903,325 2/1990 Yoshitake 455/90 X
- 5,020,138 5/1991 Yasuda et al. 379/437 X
- 5,189,358 2/1993 Tomura et al. 455/575 X
- 5,519,777 5/1996 Kurgan et al. 379/455 X

The broken line showings of the electrical cord are for illustrative purposes only and form no part of the claimed design, the portion of the article hidden behind the broken line disclosure is not a part of the claimed design.

1 Claim, 6 Drawing Sheets

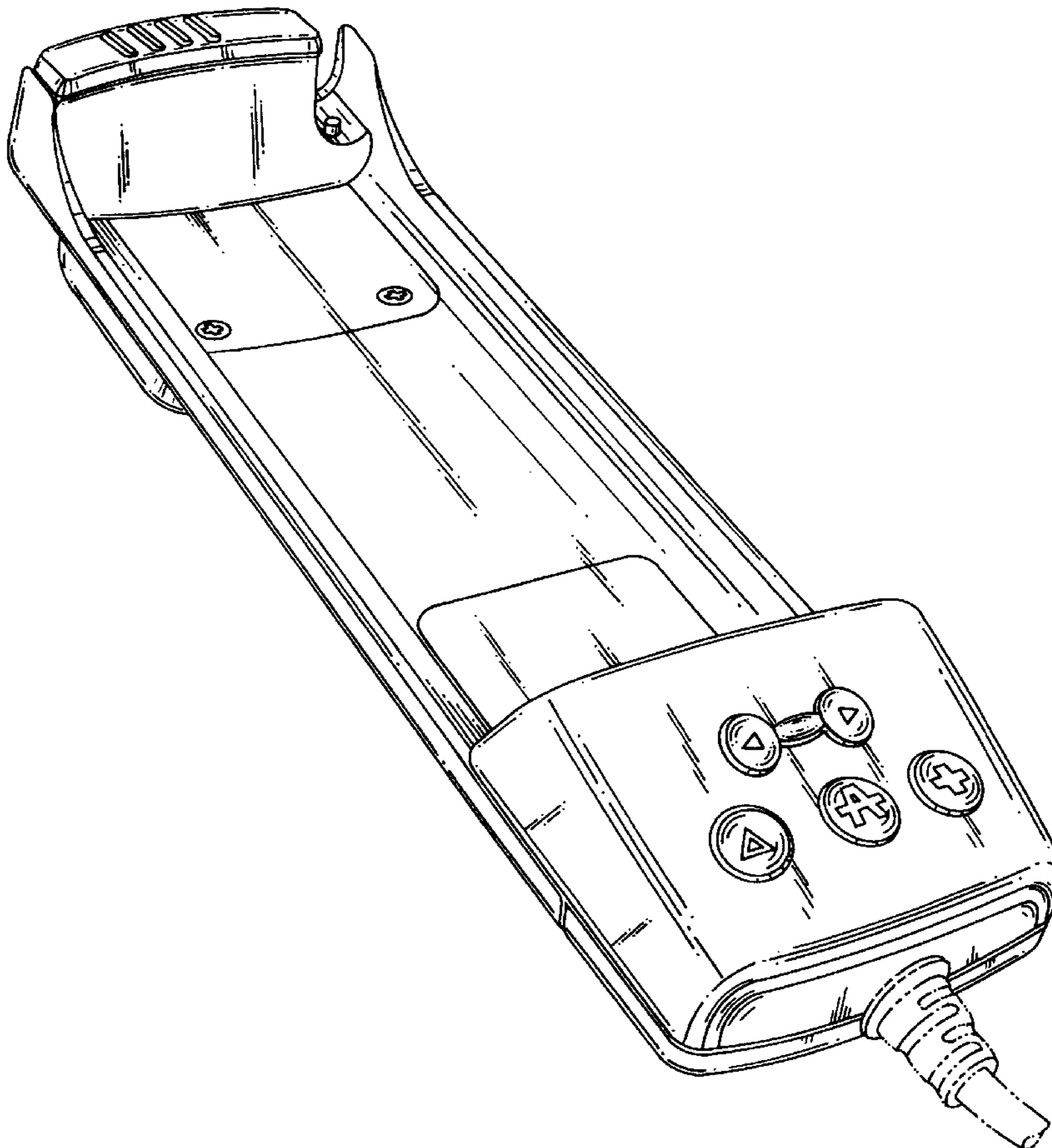


FIG. 1

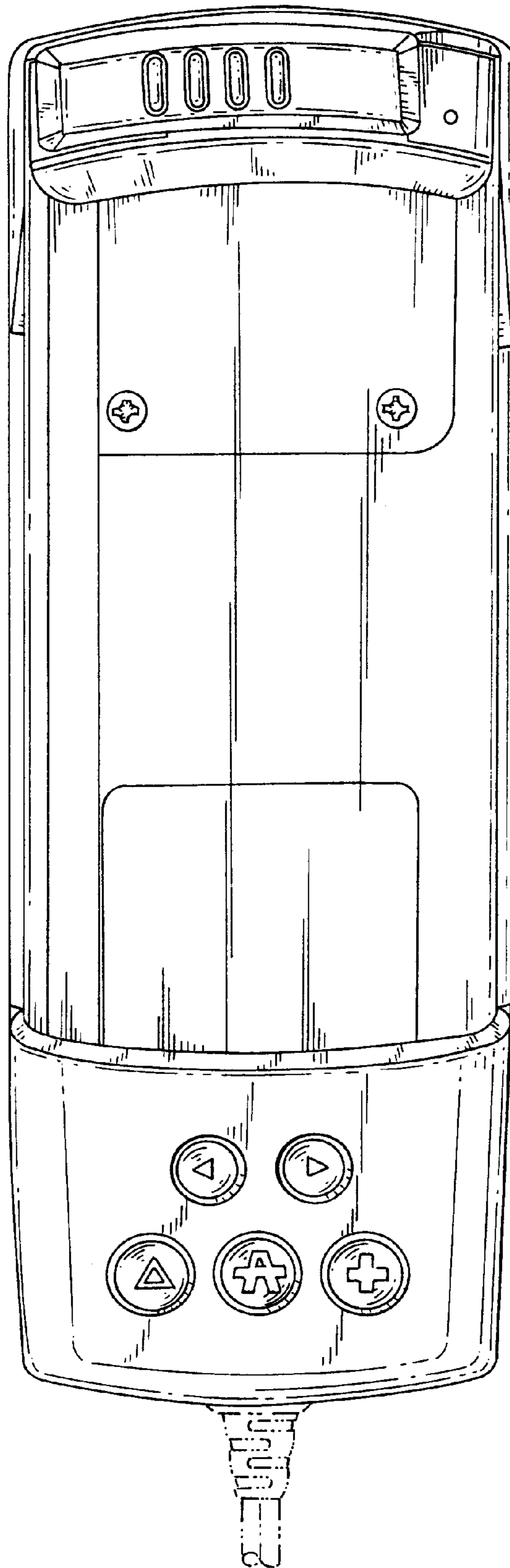


FIG. 2

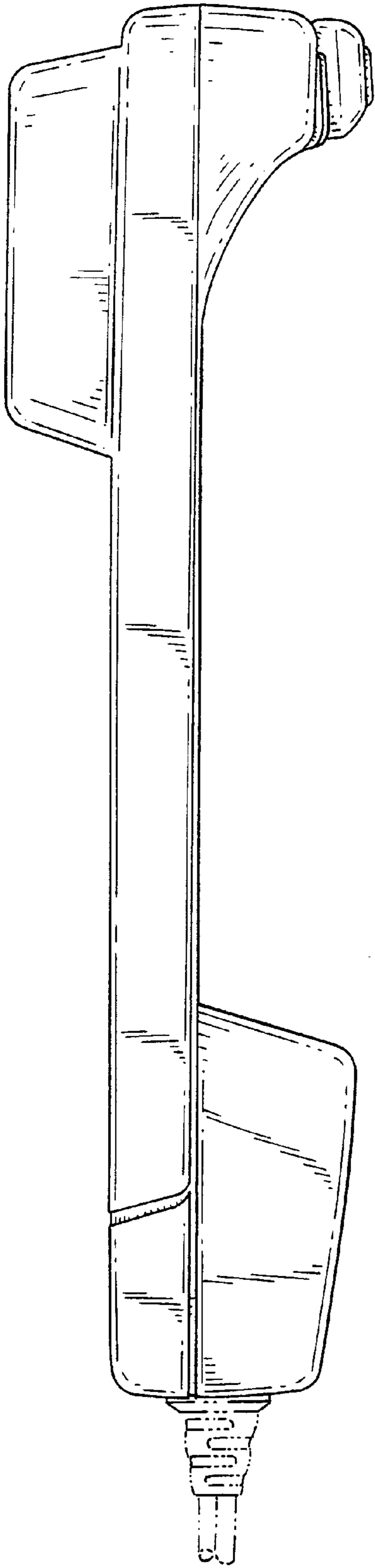


FIG. 3

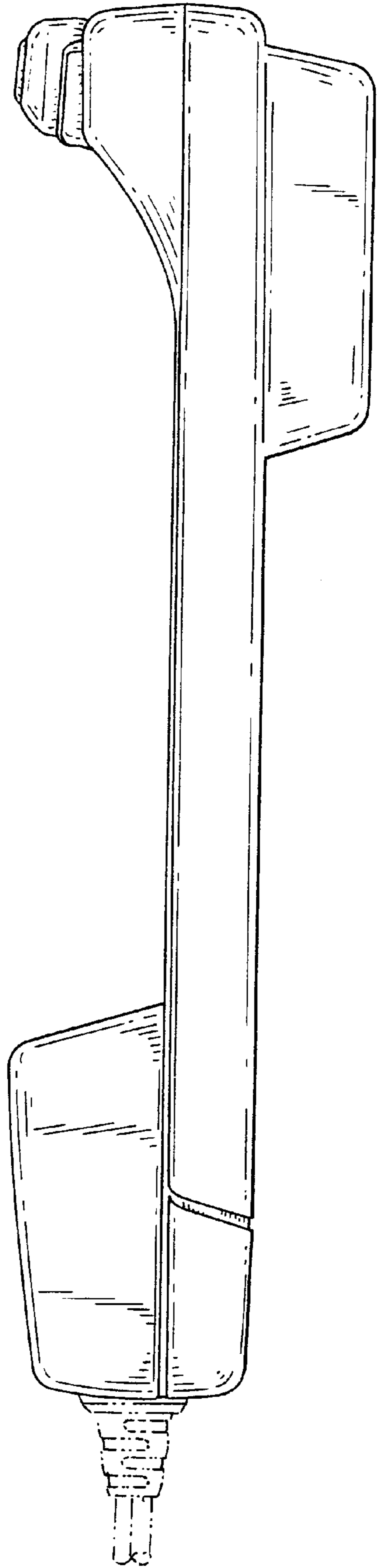
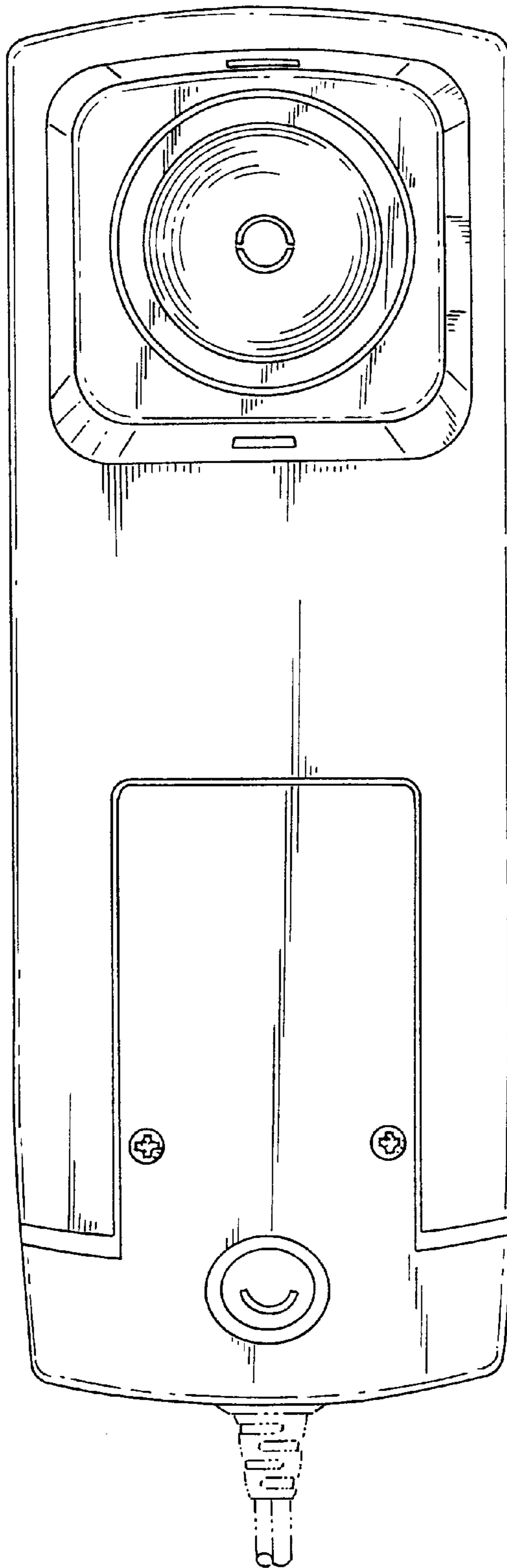


FIG. 4



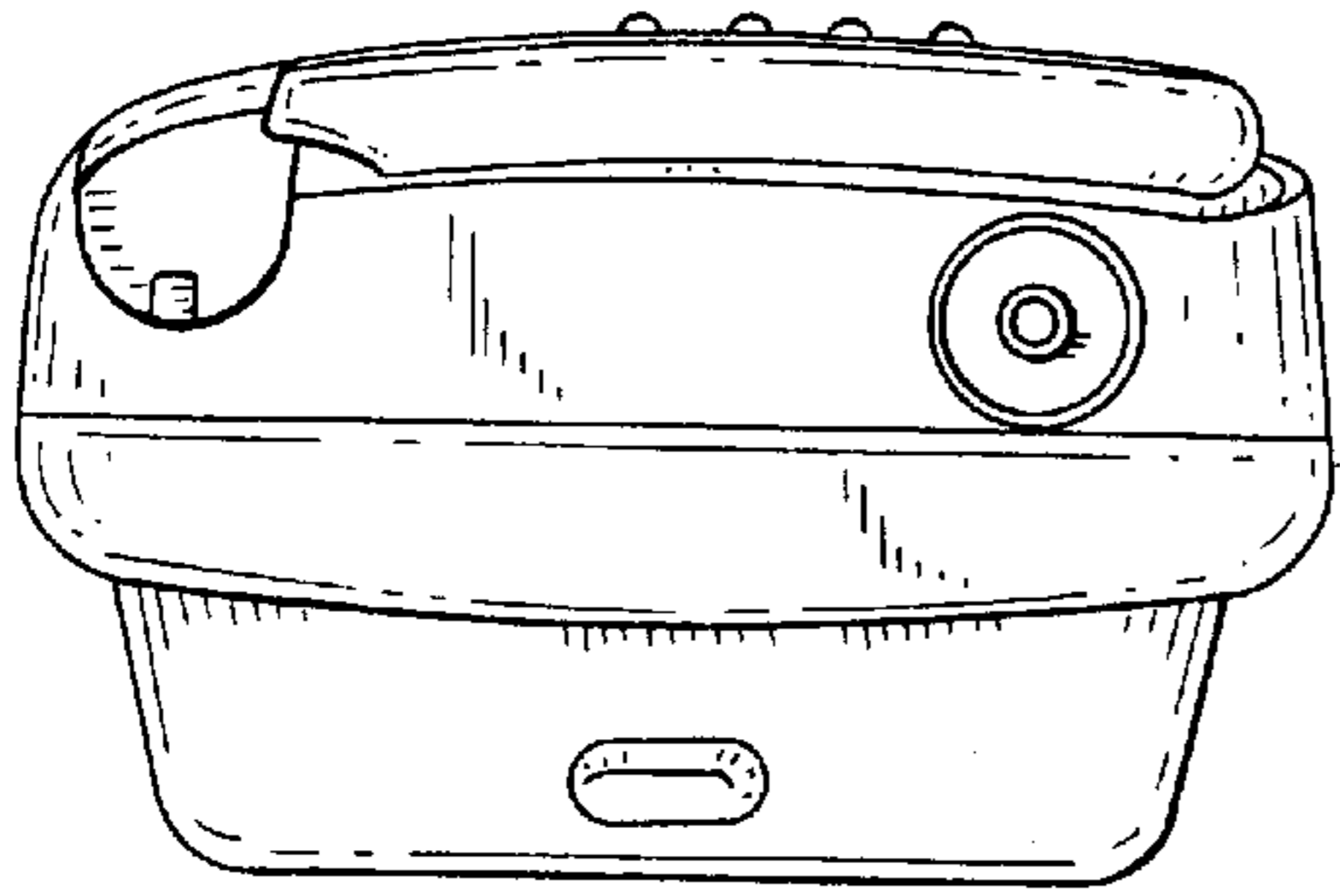


FIG. 5

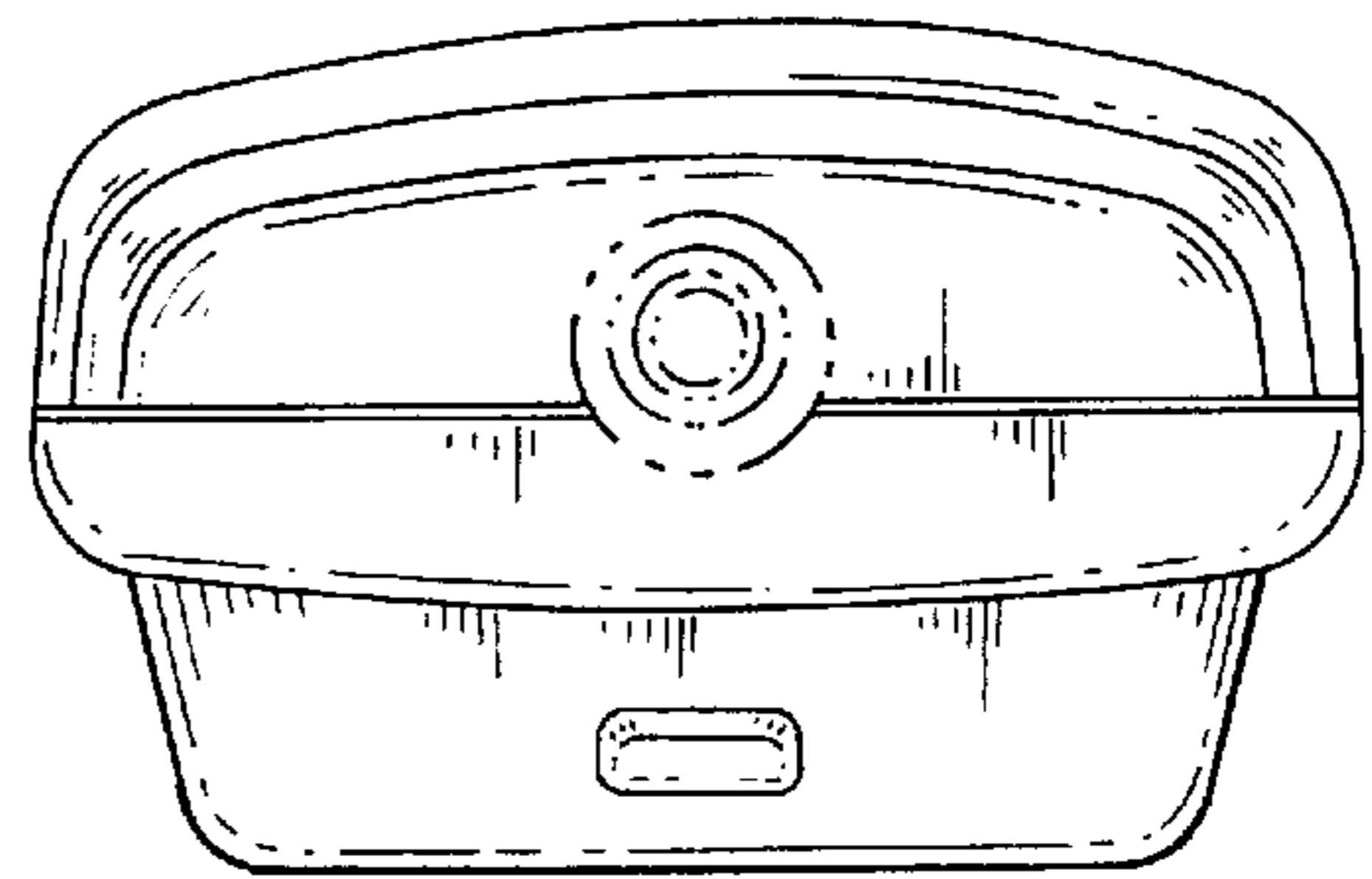


FIG. 6

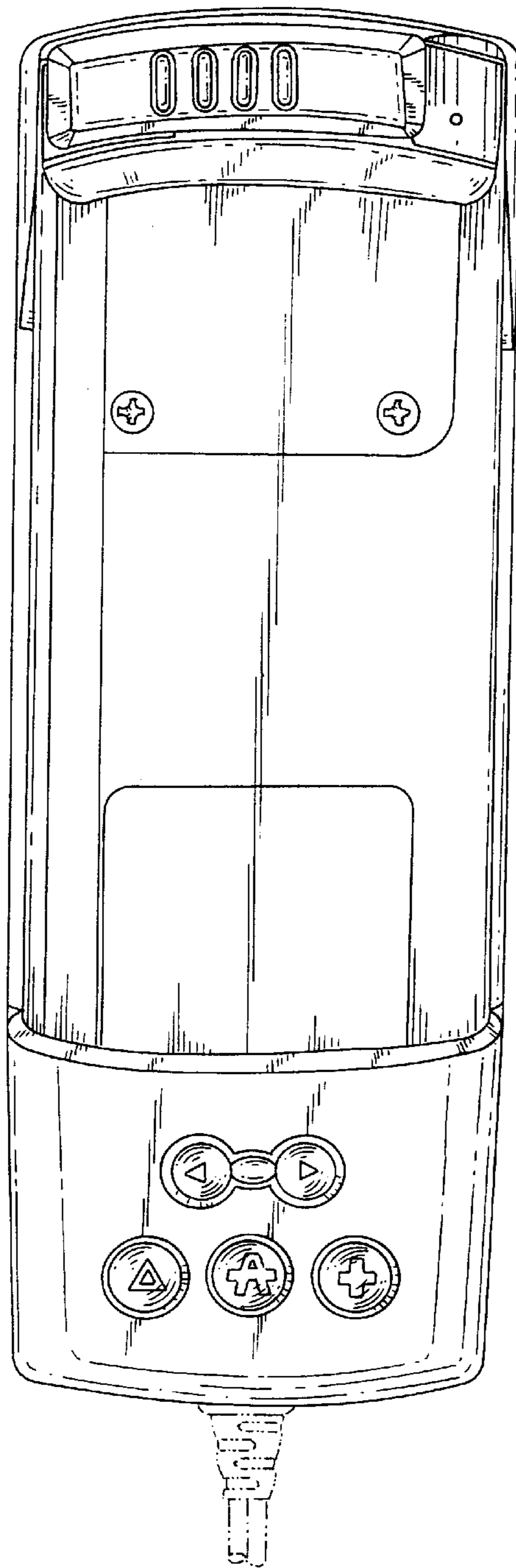


FIG. 9

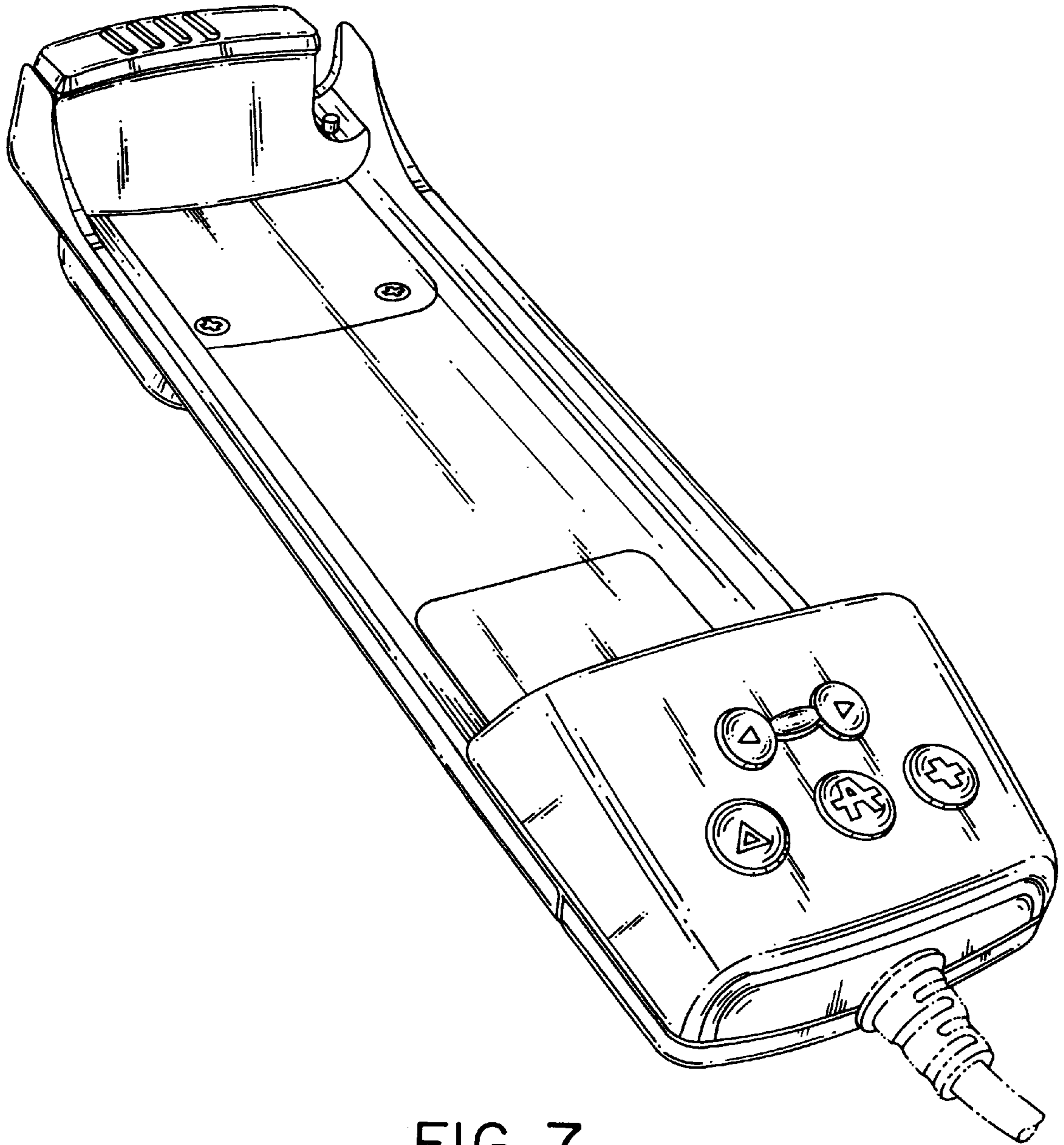


FIG. 7

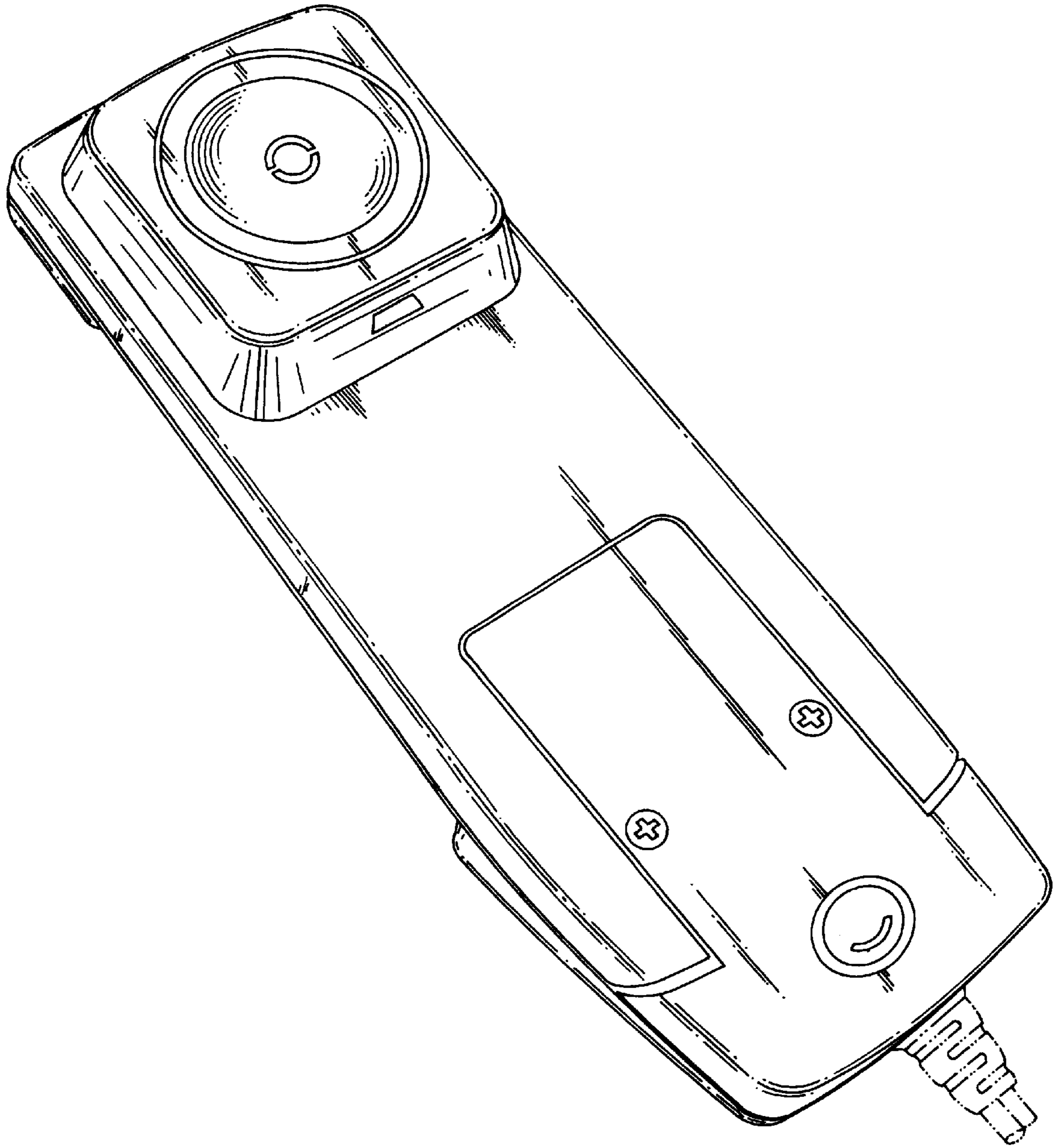


FIG. 8