



US00D412905S

# United States Patent [19]

Miyazaki et al.

[11] Patent Number: Des. 412,905

[45] Date of Patent: \*\* Aug. 17, 1999

## [54] COMBINED DISC AND TAPE PLAYER

[75] Inventors: Tetsuro Miyazaki; Jun Uchiyama, both of Tokyo, Japan

[73] Assignee: Sony Corporation, Tokyo, Japan

[\*\*] Term: 14 Years

[21] Appl. No.: 29/082,781

[22] Filed: Jan. 30, 1998

[51] LOC (6) Cl. .... 14-01

[52] U.S. Cl. .... D14/156; D14/168

[58] Field of Search ..... D14/135, 136, D14/156, 157, 160-168, 257, 258; 369/75.1, 75.2, 77.1, 77.2

## [56] References Cited

### U.S. PATENT DOCUMENTS

D. 321,191	10/1991	Ito et al.	.....	D14/136	X
D. 339,134	9/1993	Ito et al.	.....	D14/156	
D. 339,135	9/1993	Ito et al.	.....	D14/156	
D. 344,941	3/1994	Ogawa et al.	.....	D14/135	
4,561,085	12/1985	Funabashi	.....	D14/156	X
5,177,730	1/1993	Utsugi	.....	369/75.1	

### OTHER PUBLICATIONS

Catalog "87", pp. 31, 32, 33, 133 and 134, Sony (Nov. 1997).

Primary Examiner—Ted Shooman  
Assistant Examiner—Nanda Bondade  
Attorney, Agent, or Firm—Foley & Lardner

## [57] CLAIM

The ornamental design for a combined disc and tape player, as shown and described.

## DESCRIPTION

FIG. 1 is a perspective view of a first embodiment of a combined disc and tape player showing our new design; FIG. 2 is another perspective view thereof wherein the tray portion is in the open position, the portion in broken lines is for illustrative purposes only and forms no part of claimed design;

FIG. 3 is a top plan view of FIG. 1;

FIG. 4 is a rear elevational view thereof;

FIG. 5 is a front elevational view thereof;

FIG. 6 is a bottom plan view thereof;

FIG. 7 is a right side elevational view thereof, a left side elevational view thereof being a mirror image;

FIG. 8 is a perspective view of a second embodiment of FIG. 1;

FIG. 9 is another perspective view thereof, wherein the tray portion is in the open position, the portion in broken lines is for illustrative purposes only and forms no part of claimed design;

FIG. 10 is a top plan view thereof;

FIG. 11 is a rear elevational view thereof;

FIG. 12 is a front elevational view thereof;

FIG. 13 is a bottom plan view thereof; and,

FIG. 14 is a right side elevational view thereof, a left side elevational view thereof being a mirror image.

The undisclosed views of the disc tray shown on FIGS. 2 and 9 form no part of the claimed design.

1 Claim, 8 Drawing Sheets

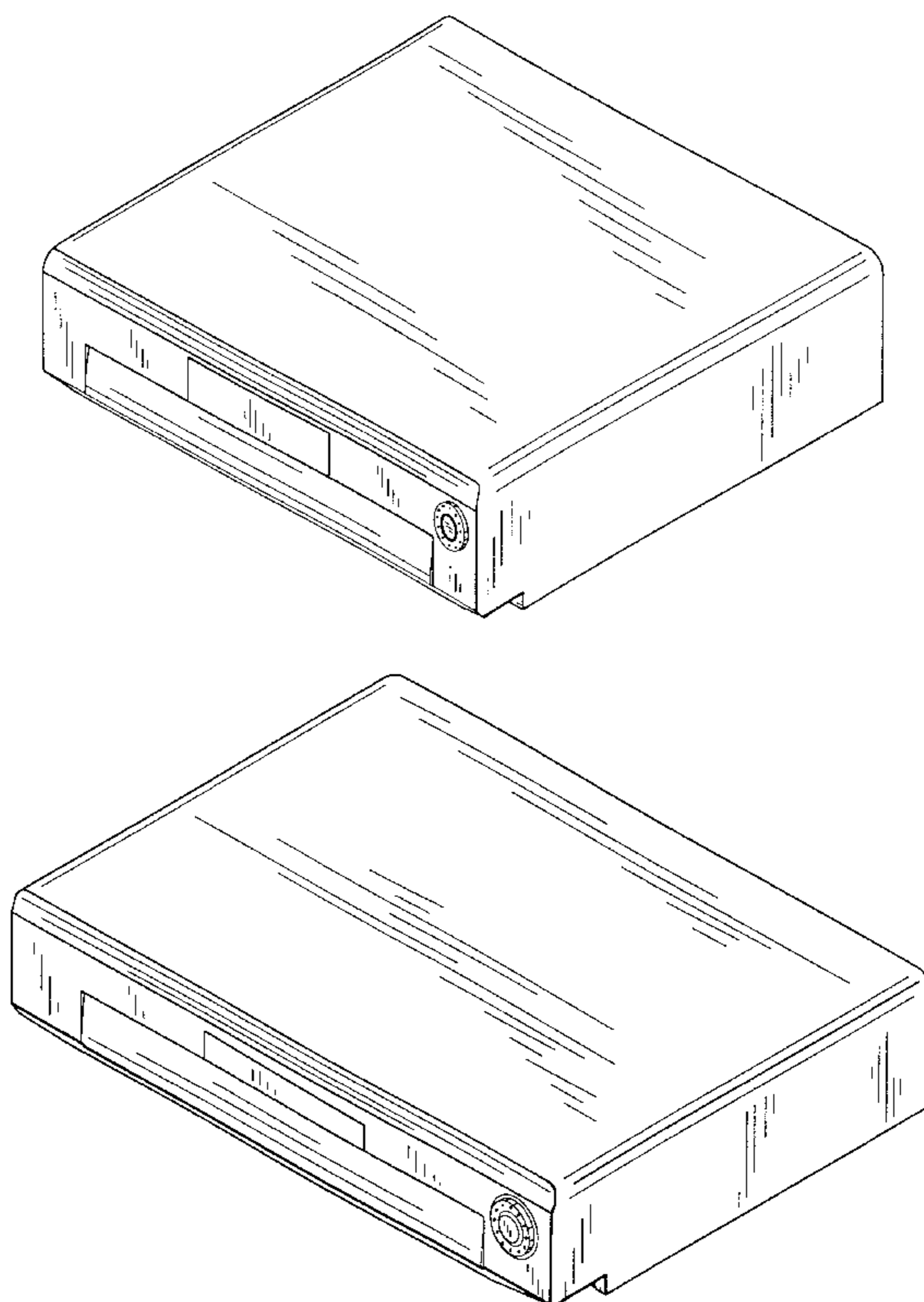


FIG. 1

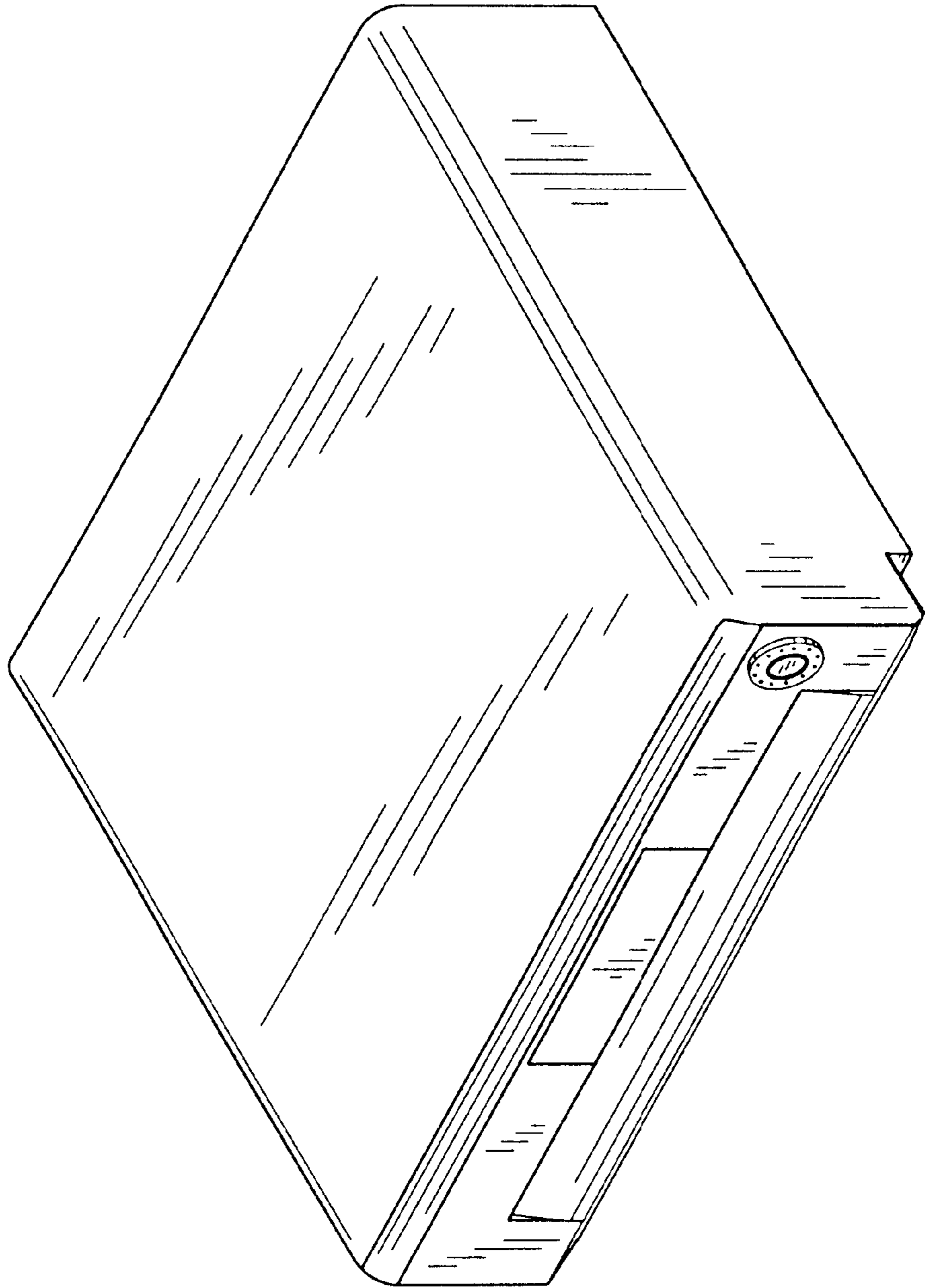


FIG. 2

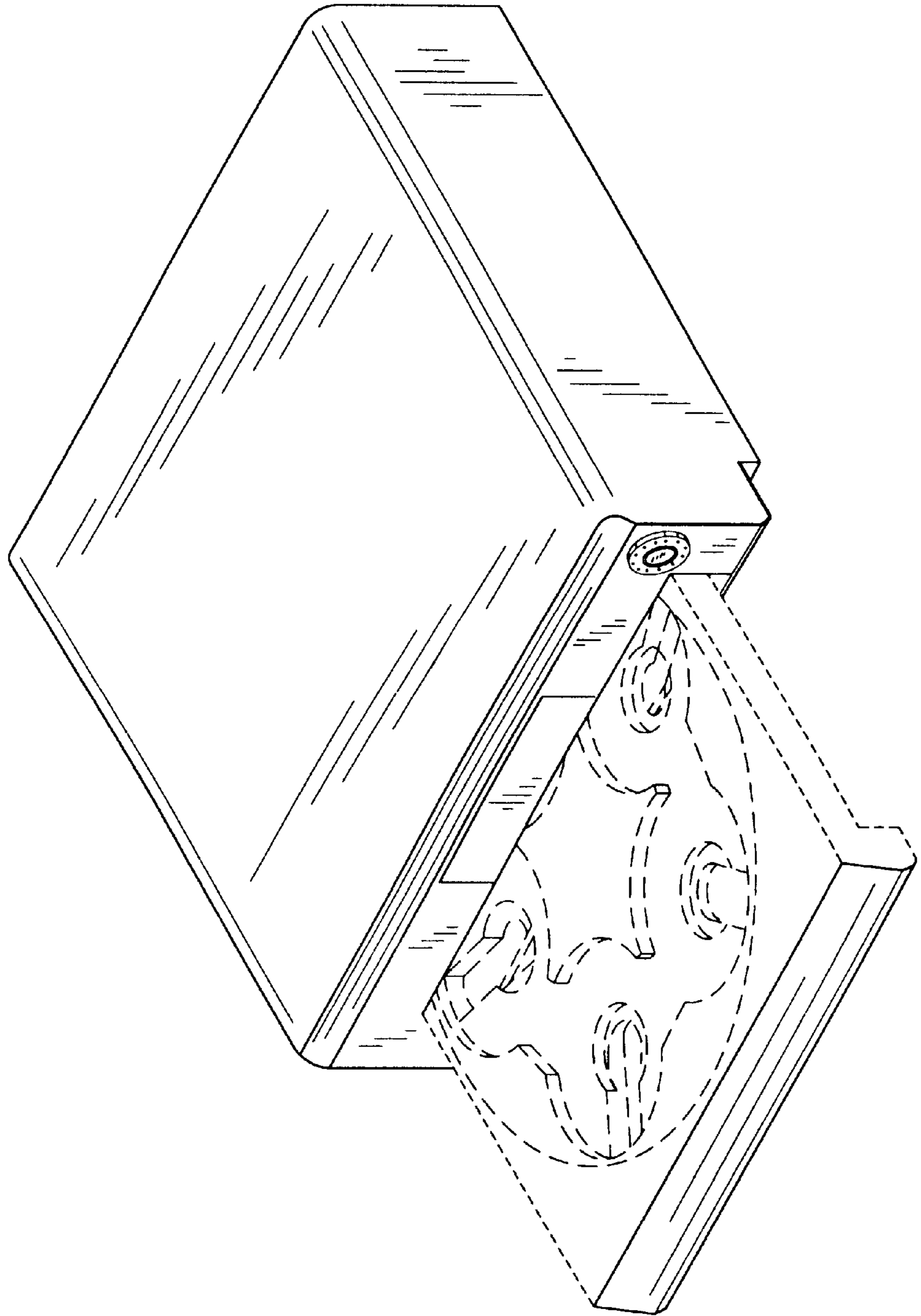


FIG. 3

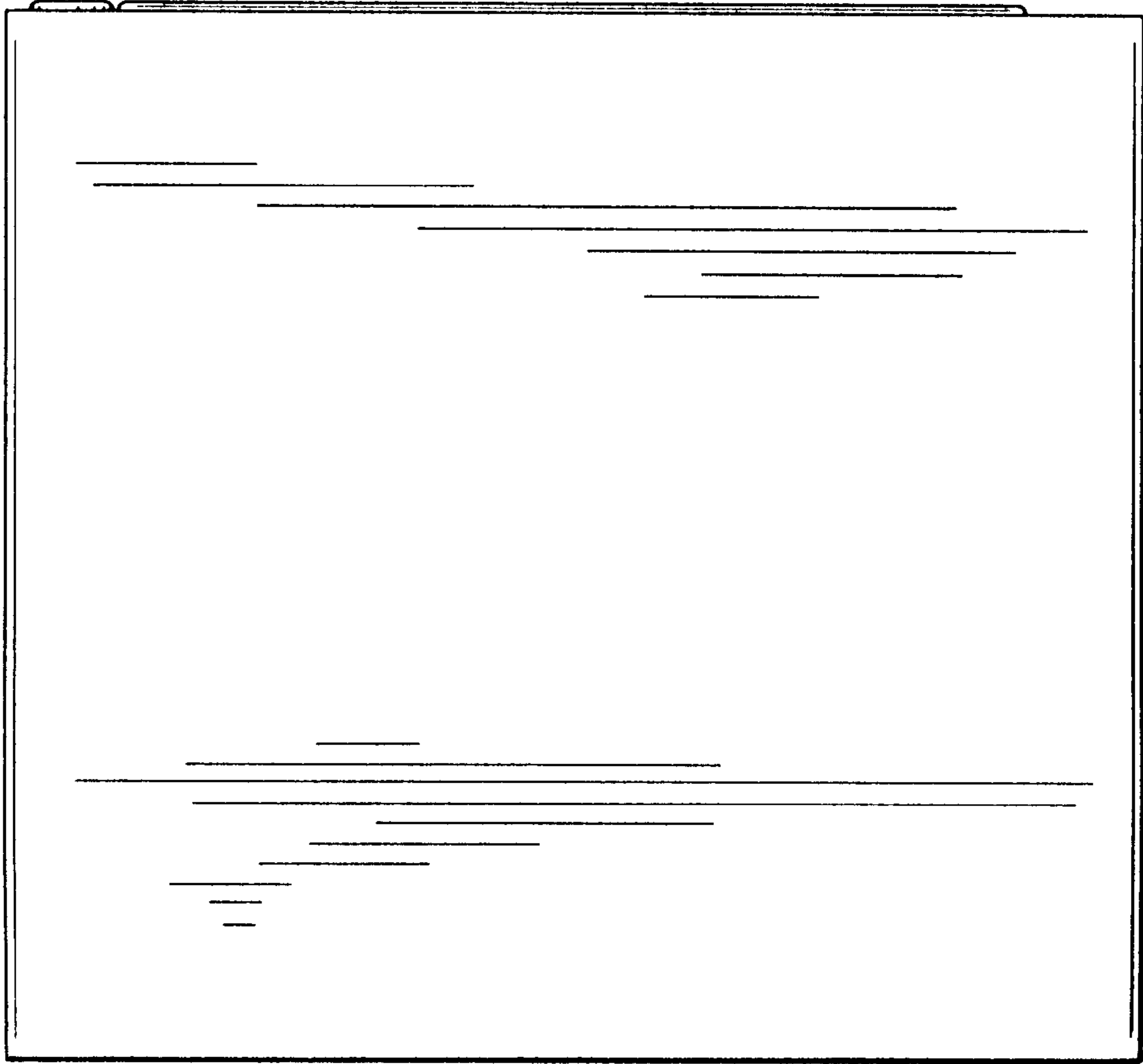


FIG. 4

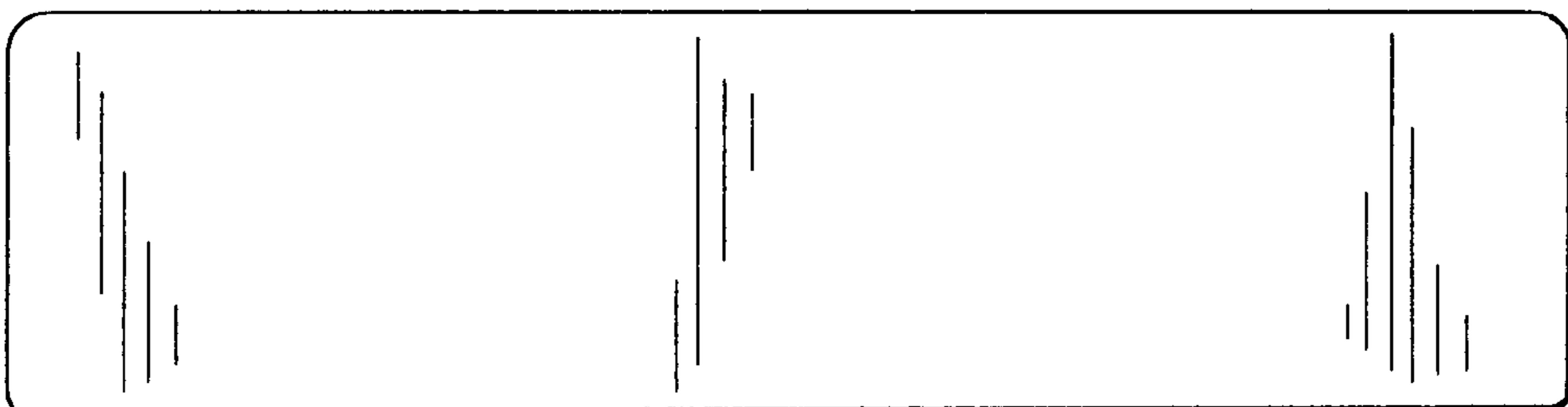


FIG. 7

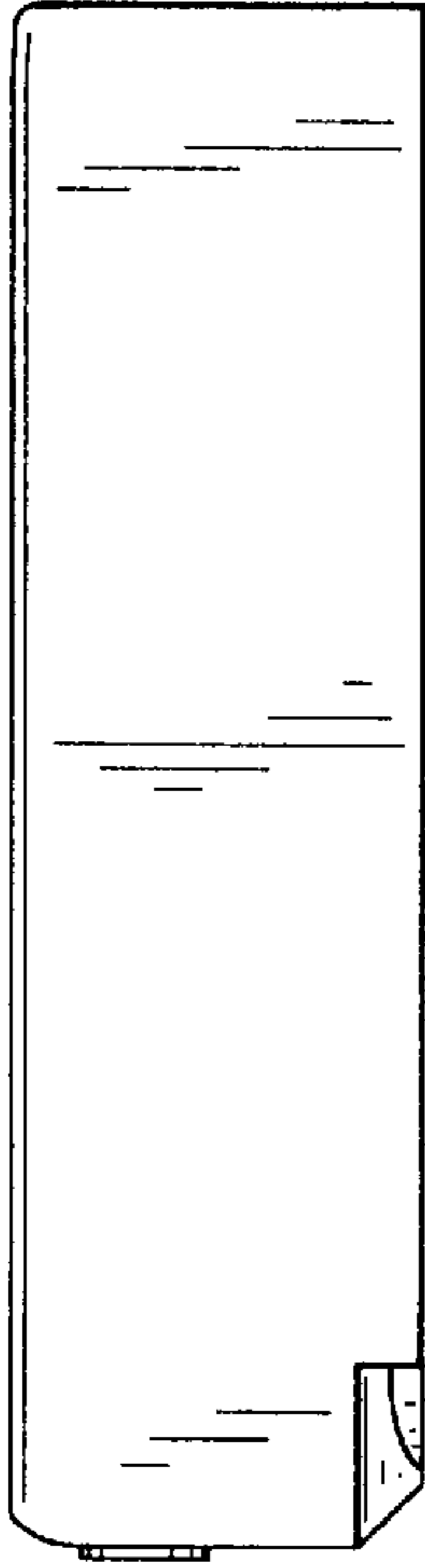


FIG. 5

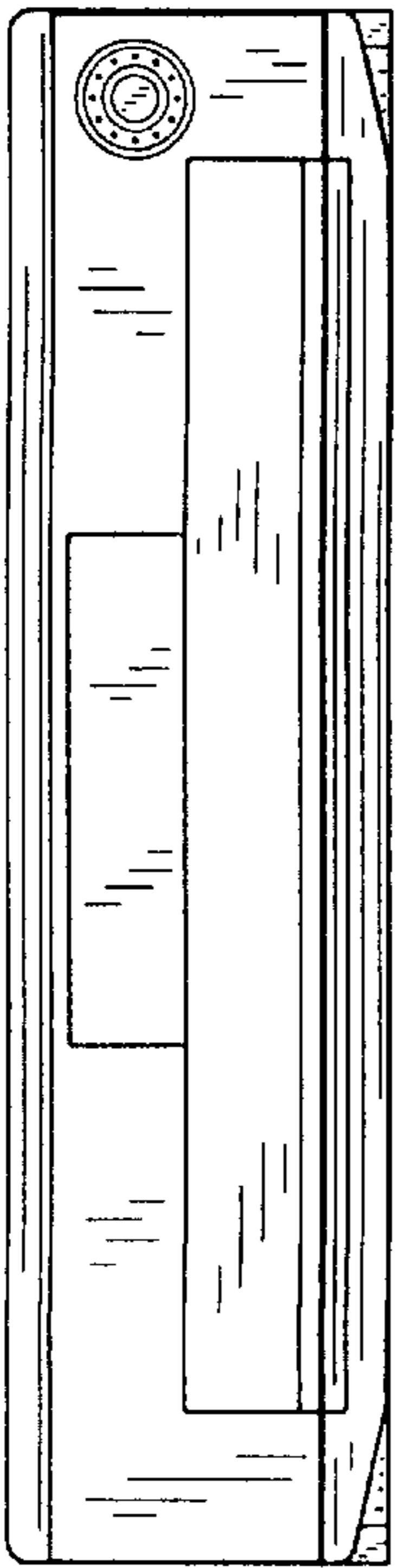


FIG. 6

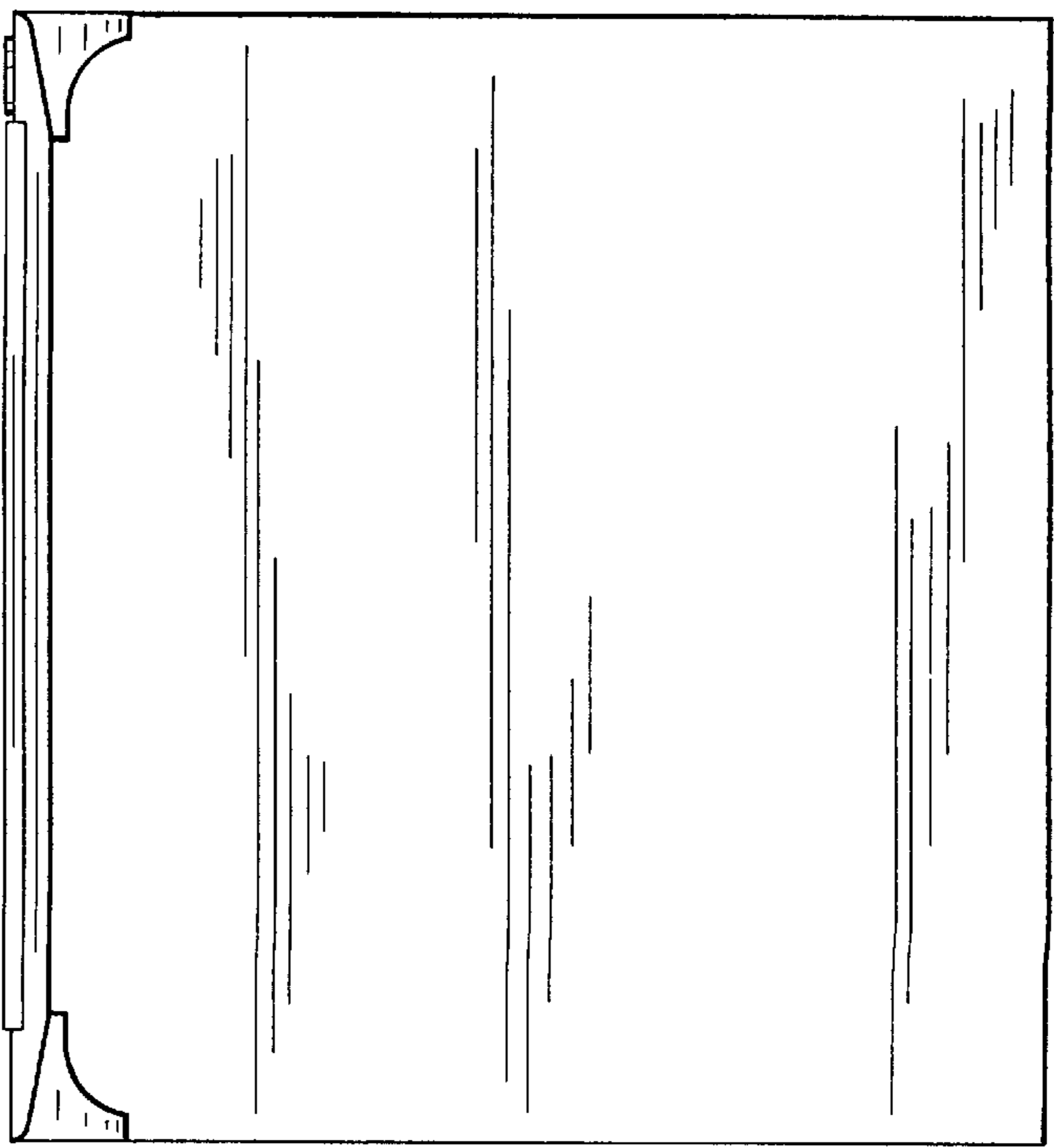


FIG. 8

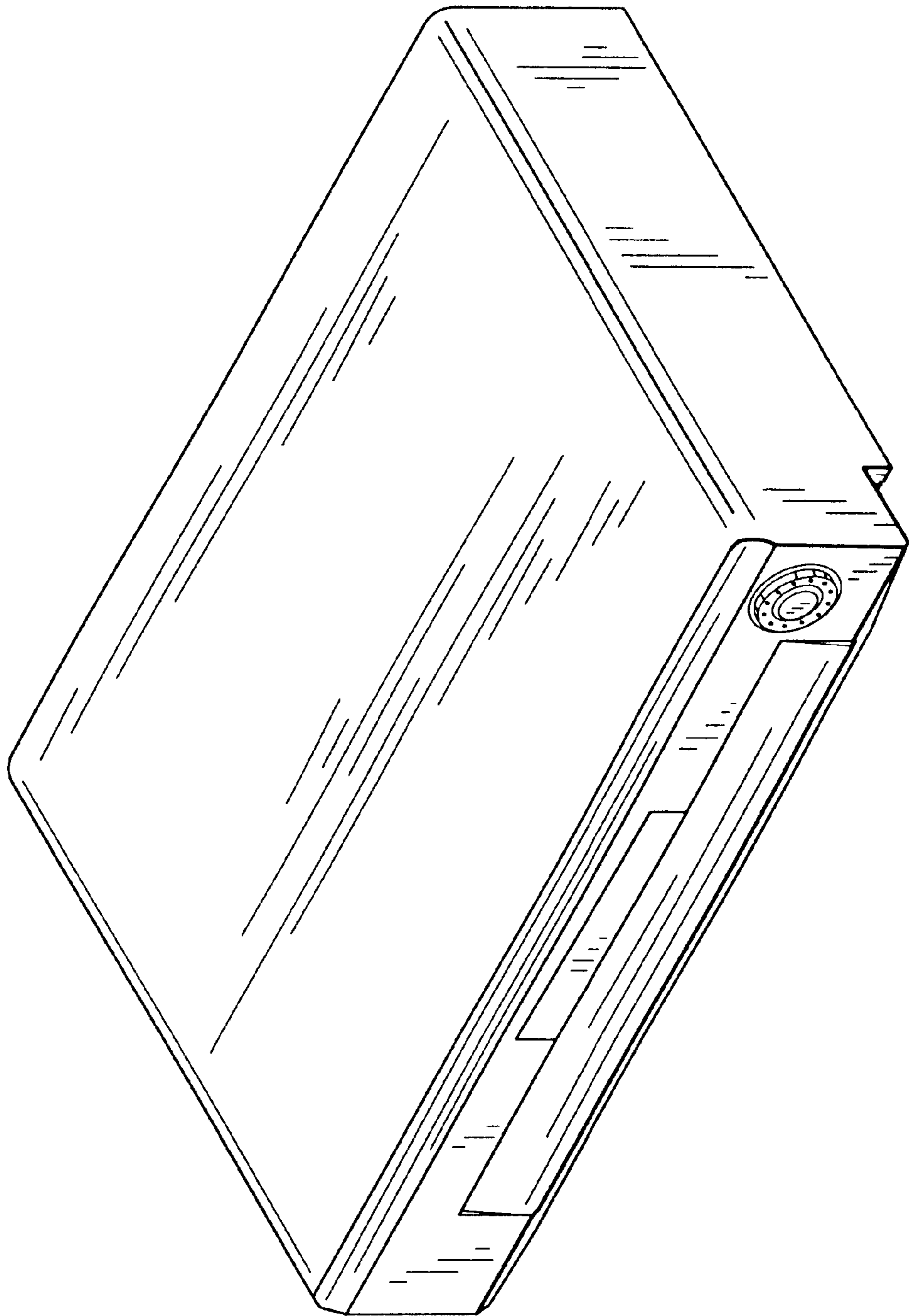


FIG. 9

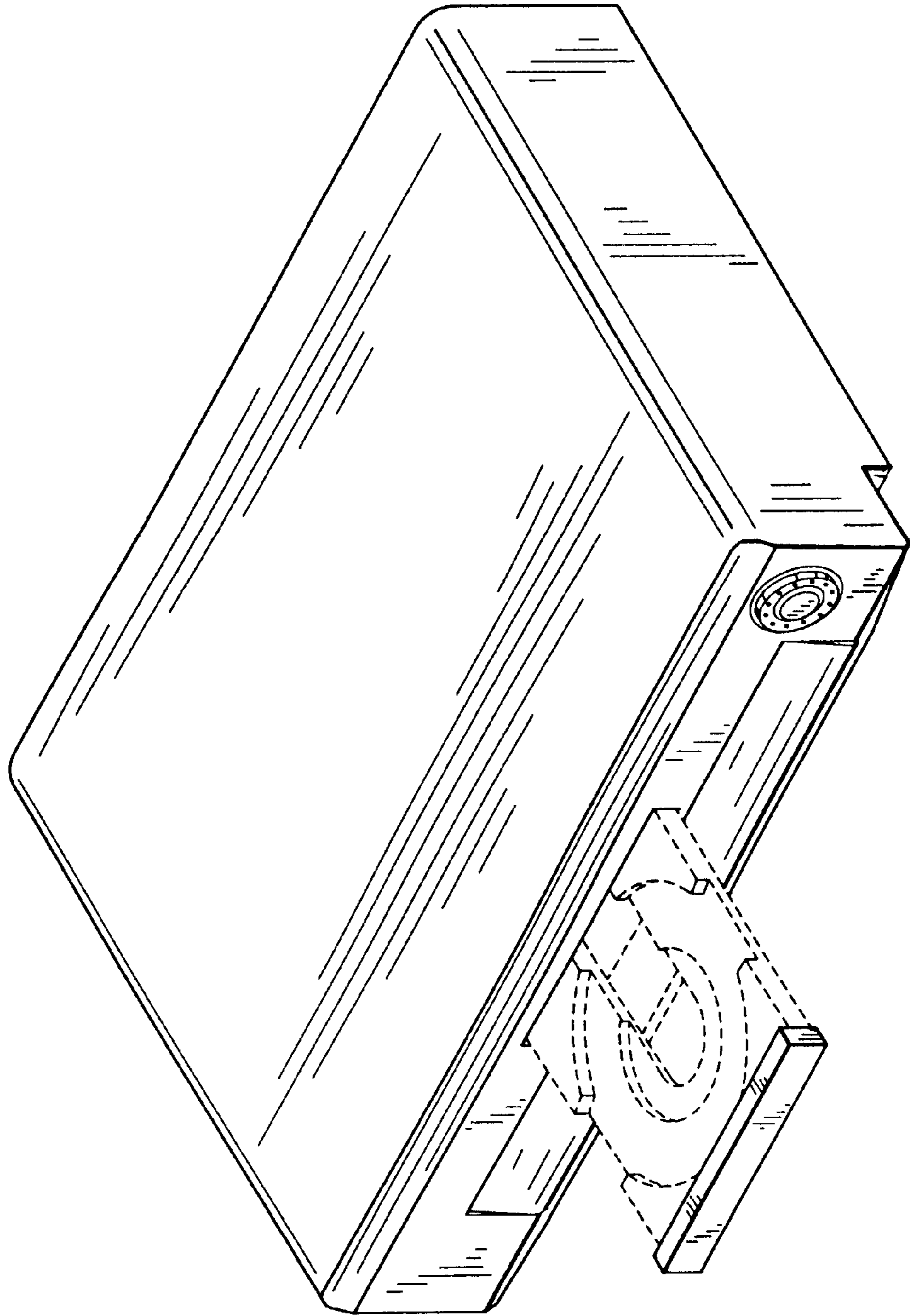


FIG. 10

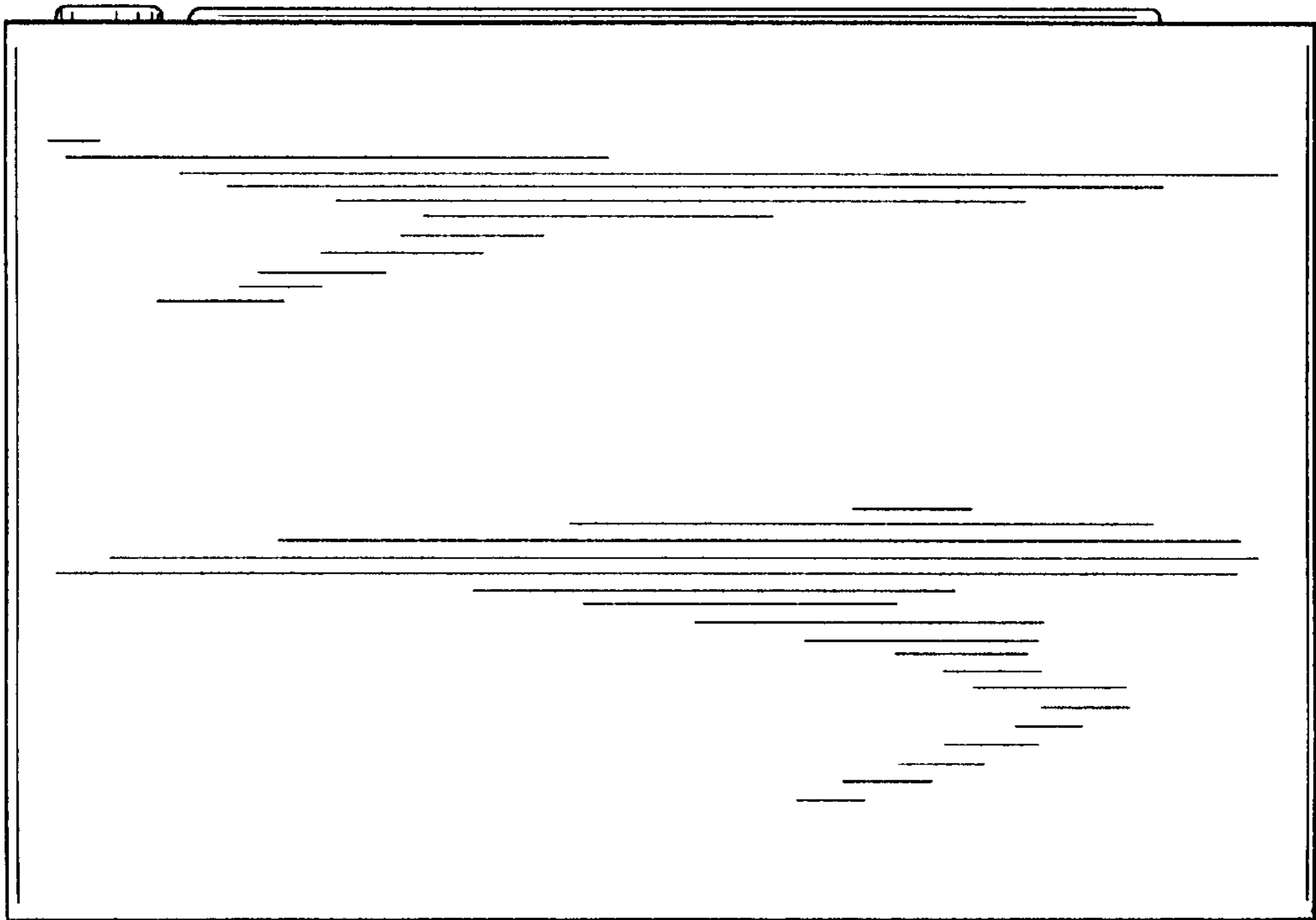


FIG. 11

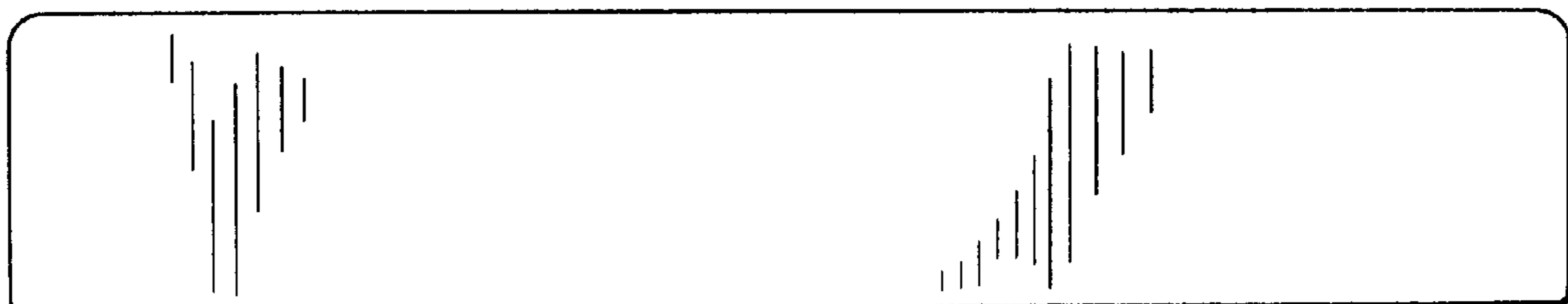




FIG. 14

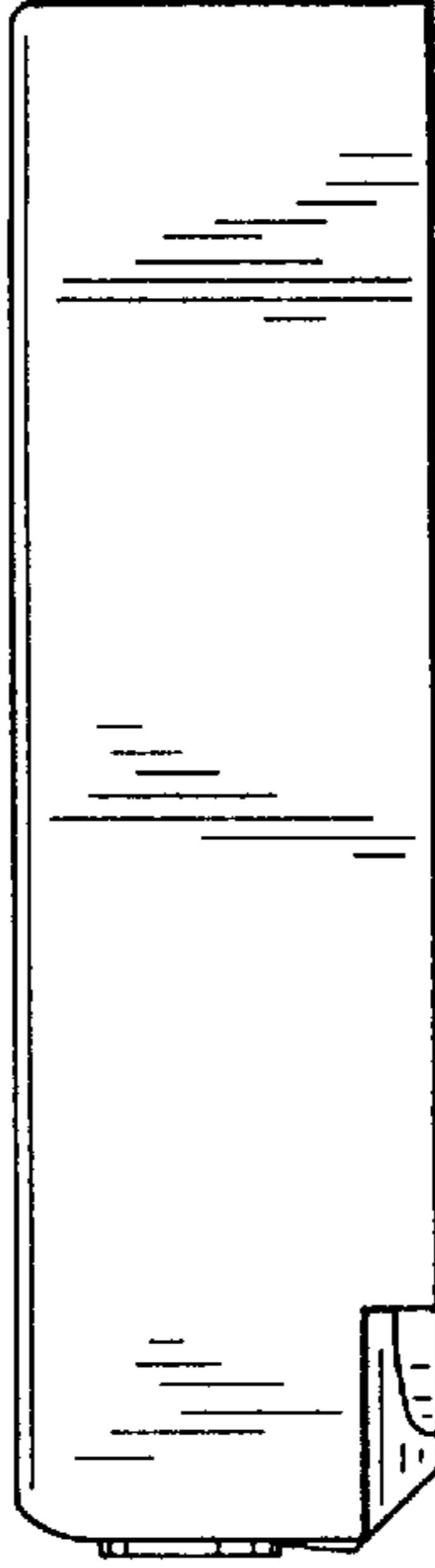


FIG. 12

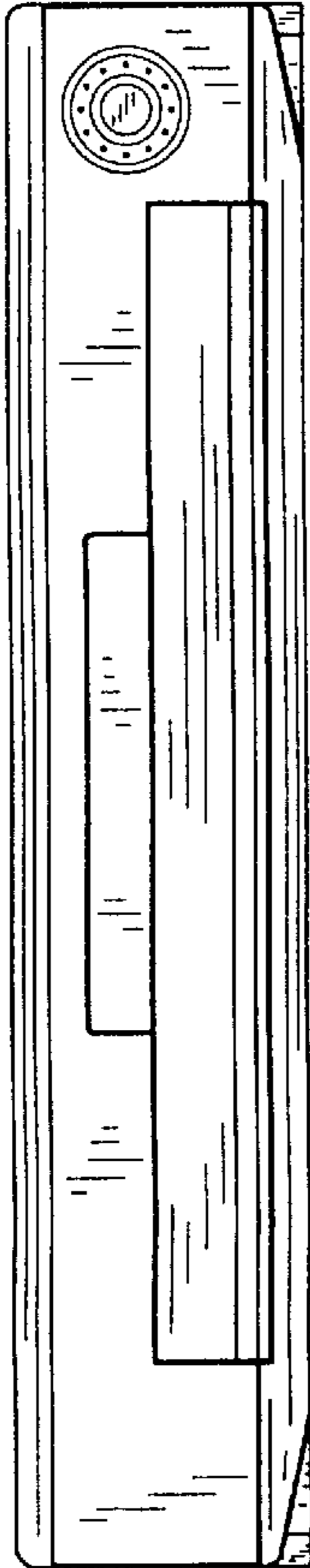


FIG. 13

