



US00D412904S

United States Patent [19]

Sawhney et al.

[11] Patent Number: Des. 412,904

[45] Date of Patent: ** Aug. 17, 1999

[54] TELEPHONE HEADSET AMPLIFIER UNIT

[76] Inventors: **Ravi K. Sawhney**, 3501 Via Del Prado, Calabasas, Calif. 91302; **Lance G. Hussey**, 4151 Saugus Ave., Sherman Oaks, Calif. 91403; **Cary R. Chow**, 1401 Riviera Ave., Venice, Calif. 90291

[**] Term: 14 Years

[21] Appl. No.: 29/092,171

[22] Filed: Aug. 13, 1998

[51] LOC (6) Cl. 14-03

[52] U.S. Cl. D14/149; D14/243

[58] Field of Search D14/137, 251, D14/138, 253, 148, 147, 149-151, 140-142, 240, 241, 107, 155, 159, 252, 243; 379/433-436, 419, 420, 428, 440, 430, 446, 447, 454, 455, 395; D13/107, 108; 320/110, 113, 114, 115; D19/87; 455/90

[56] **References Cited**

U.S. PATENT DOCUMENTS

- D. 243,091 1/1977 Breger D14/252
- D. 262,120 12/1981 Halm D19/87 X
- D. 272,077 1/1984 Halm D19/87 X
- D. 278,055 3/1985 Vajdathy D14/241
- D. 307,587 5/1990 Marcune D14/159
- D. 327,068 6/1992 Hampf et al. D14/243 X
- D. 335,227 5/1993 Lapsker et al. D19/87 X

- D. 372,473 8/1996 Bungardt D14/149
- D. 391,928 3/1998 Kondo et al. D14/107
- D. 391,931 3/1998 Iino D14/107
- D. 393,451 4/1998 Faranda et al. D14/107
- D. 394,645 5/1998 Inue D14/107
- D. 394,654 5/1998 Copeland et al. D14/149
- D. 405,093 2/1999 Sawhney et al. D14/240
- 4,930,148 5/1990 Lee 379/430 X
- 5,099,514 3/1992 Acree 379/430 X
- 5,608,797 3/1997 Larsen et al. 379/442
- 5,678,202 10/1997 Filimon et al. 455/90 X

Primary Examiner—Jeffrey Asch
Attorney, Agent, or Firm—George R. McGuire

[57] **CLAIM**

The ornamental design for telephone headset amplifier unit, as shown and described.

DESCRIPTION

FIG. 1 is a perspective view of the present invention; FIG. 2 is a left side elevational view thereof; FIG. 3 is a top plan view thereof; FIG. 4 is a right side elevational view thereof; FIG. 5 is a front elevational view thereof; FIG. 6 is a rear elevational view thereof; FIG. 7 is a bottom plan view thereof; and, FIG. 8 is a perspective view thereof, showing a telephone positioned on the upwardly facing surface thereof. The telephone is shown in phantom for illustrative purposes only and does not form a part of the claimed design.

1 Claim, 7 Drawing Sheets

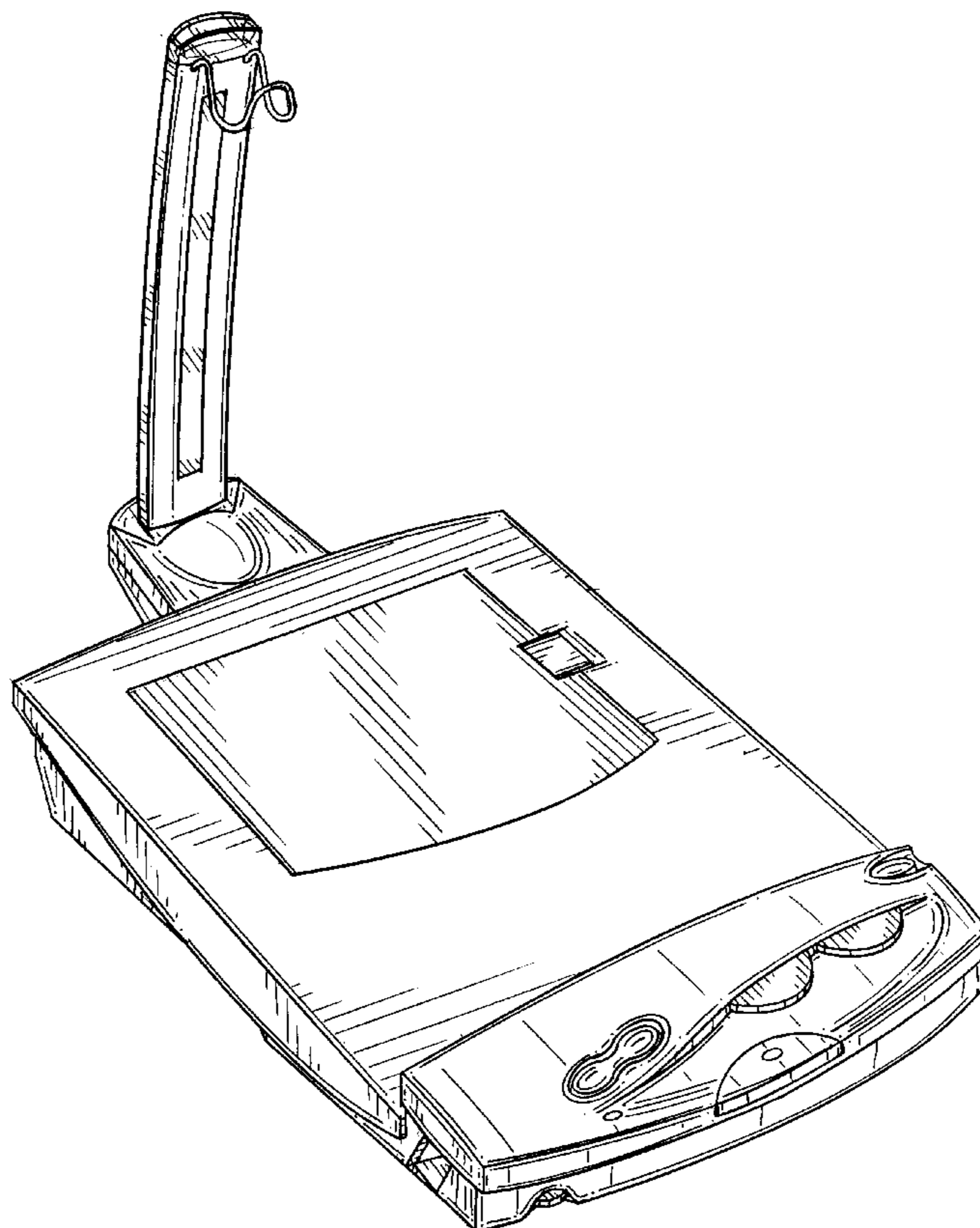


FIG. 1

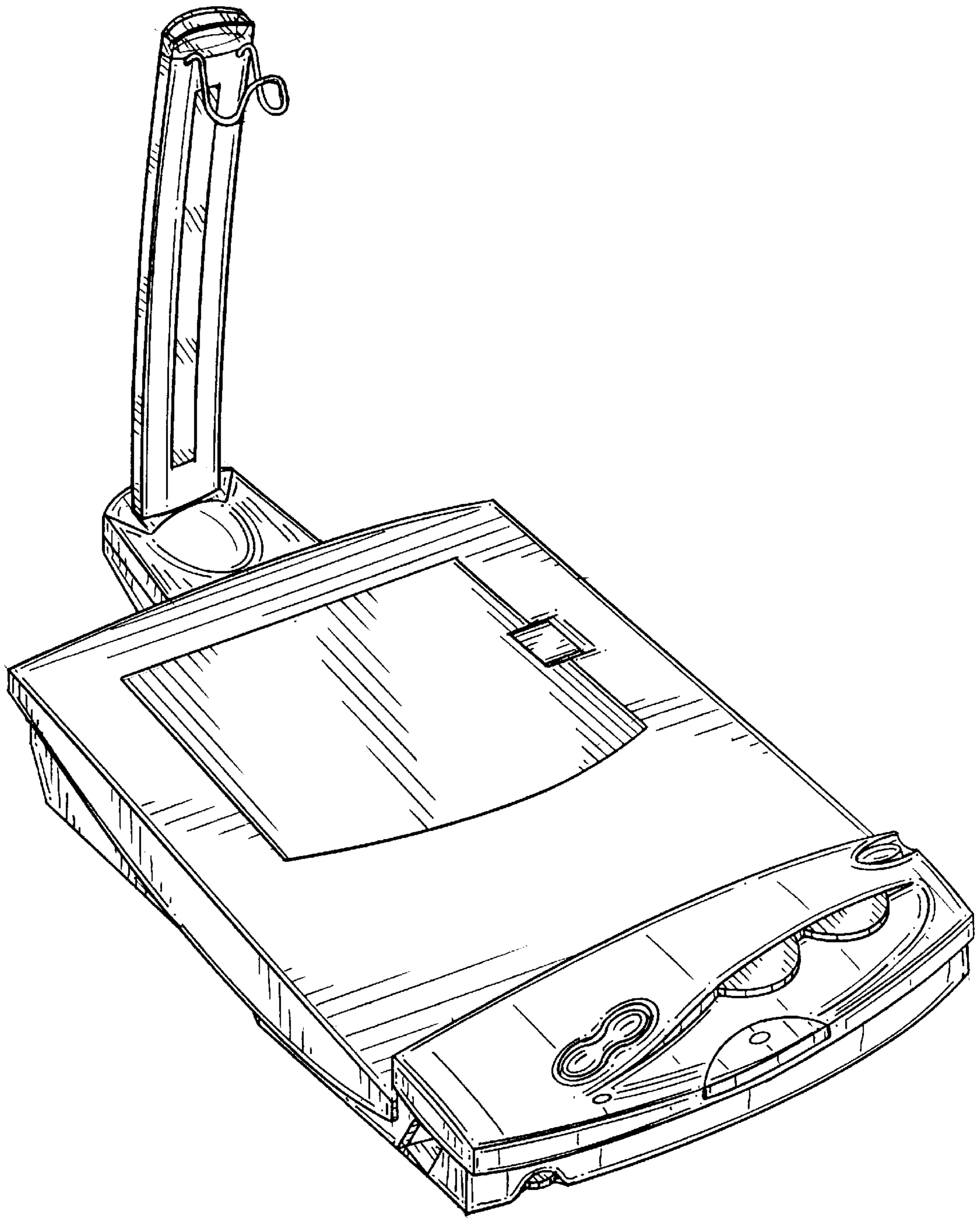


FIG. 2

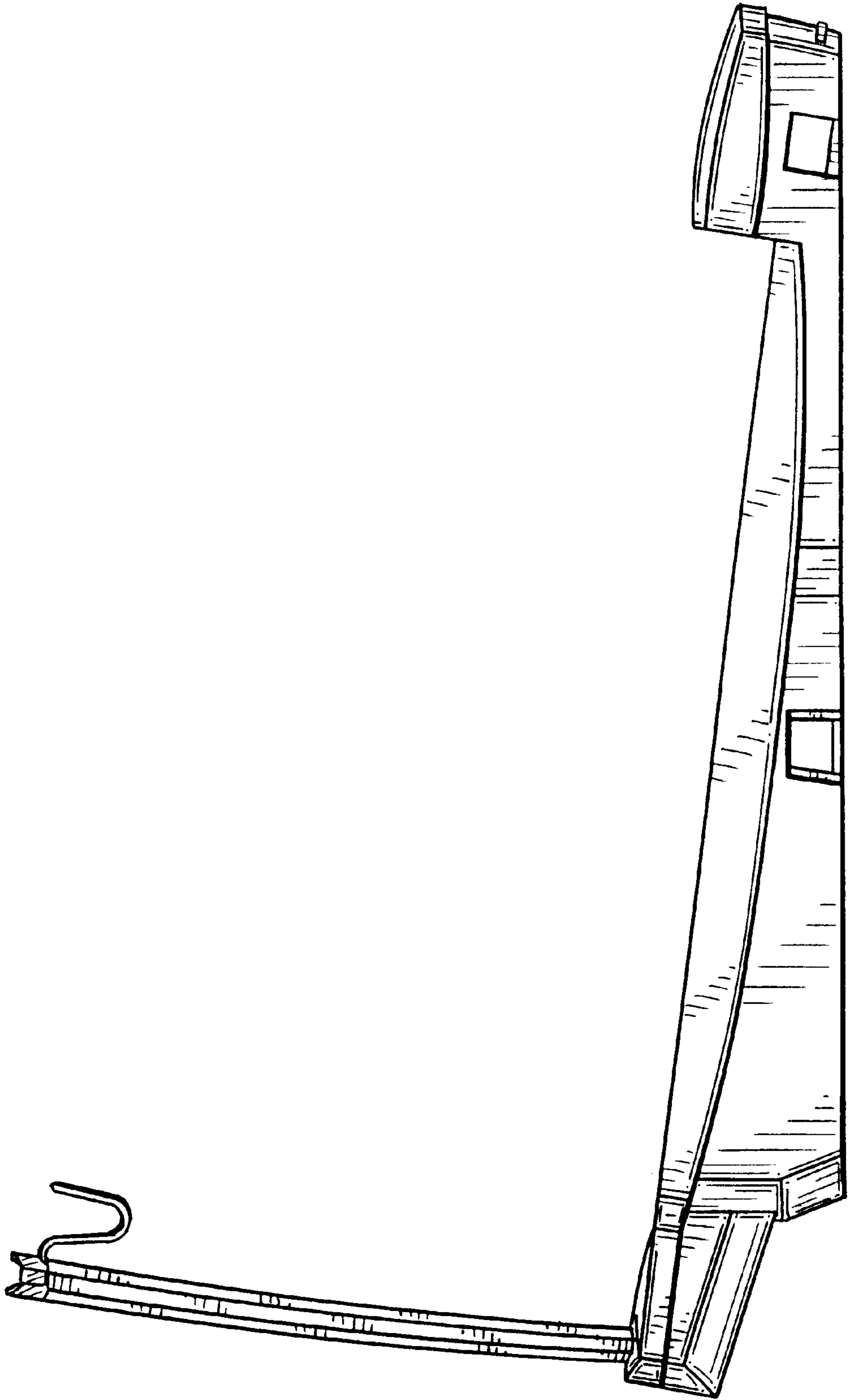
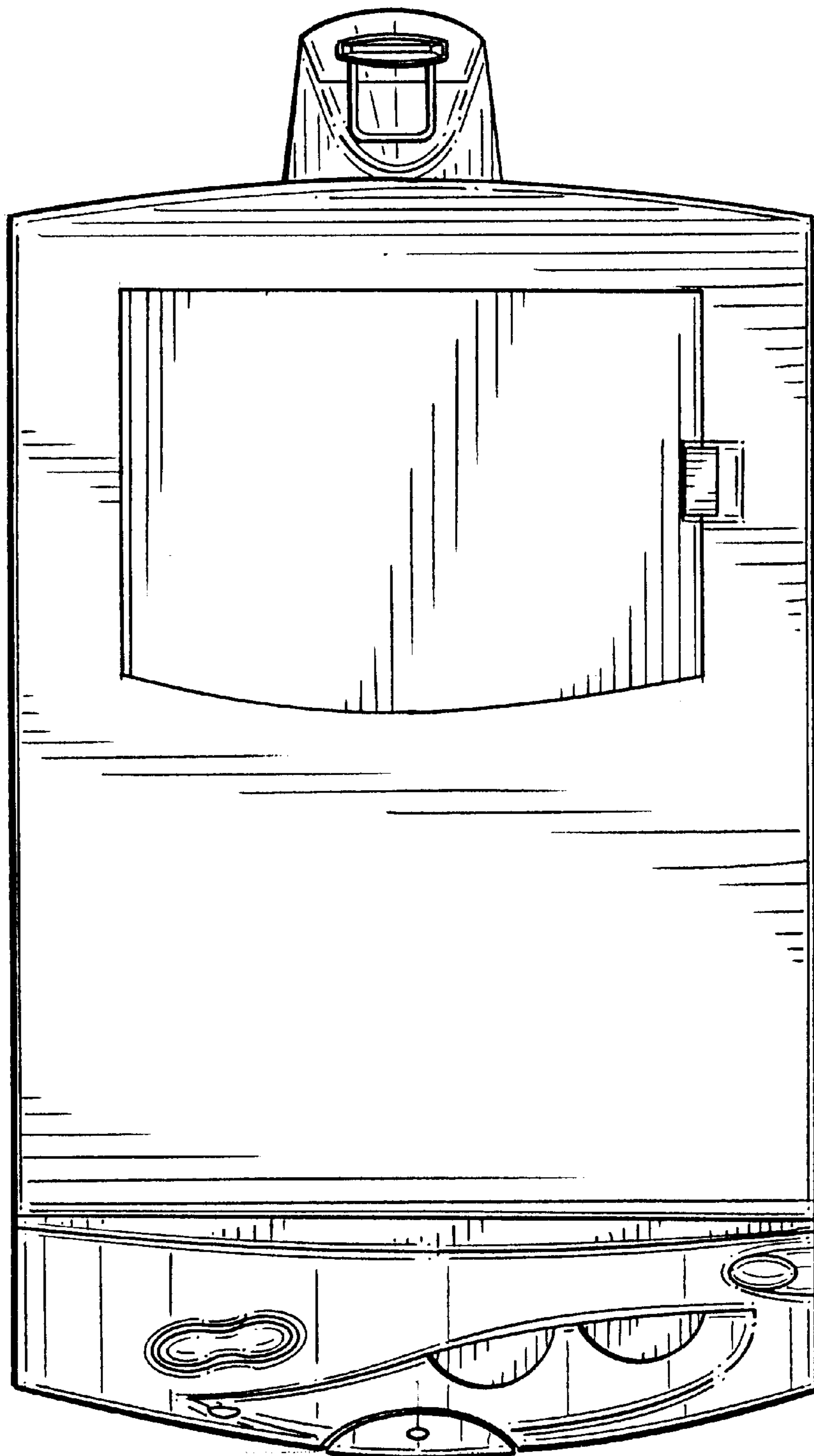


FIG. 3



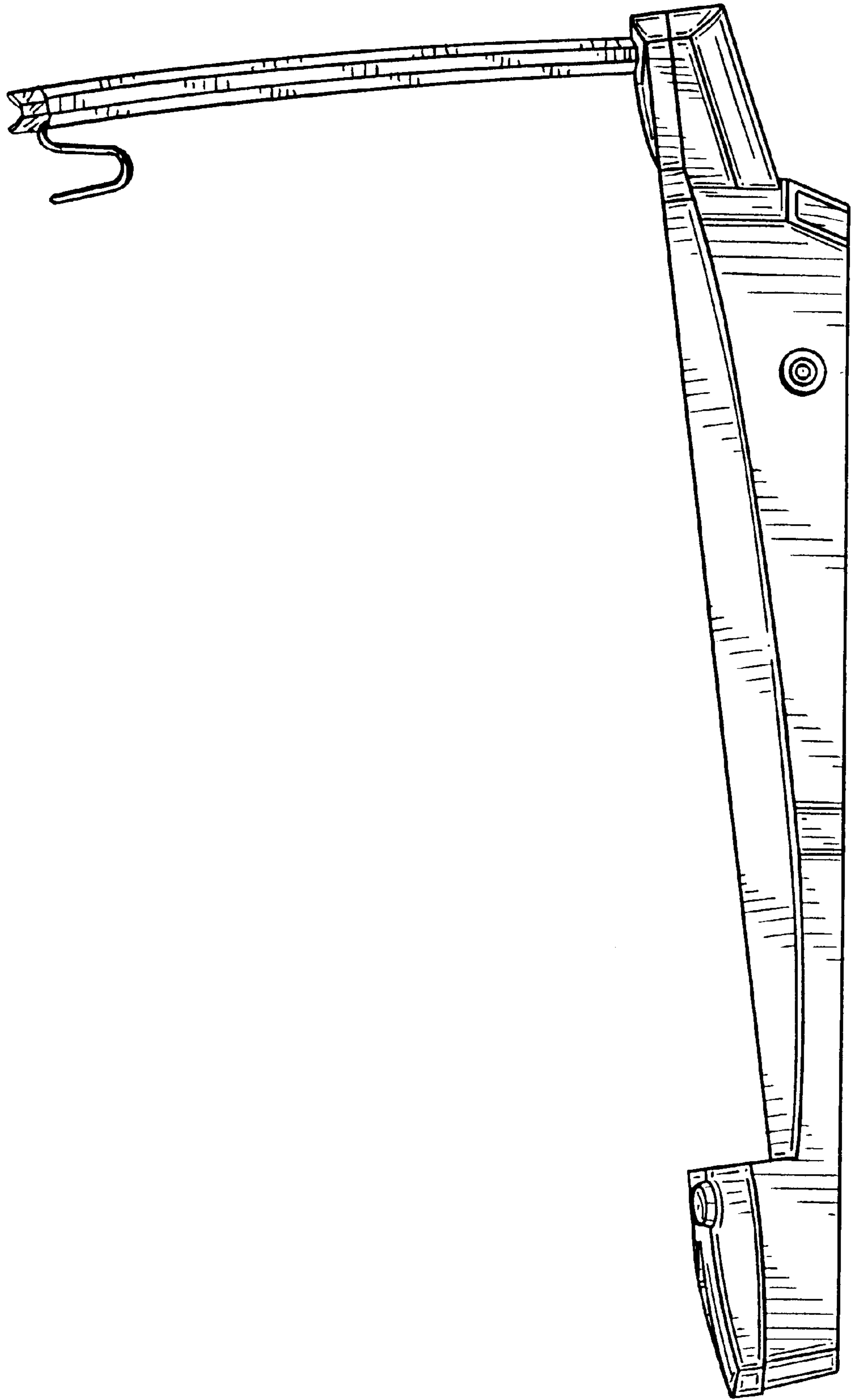


FIG. 4

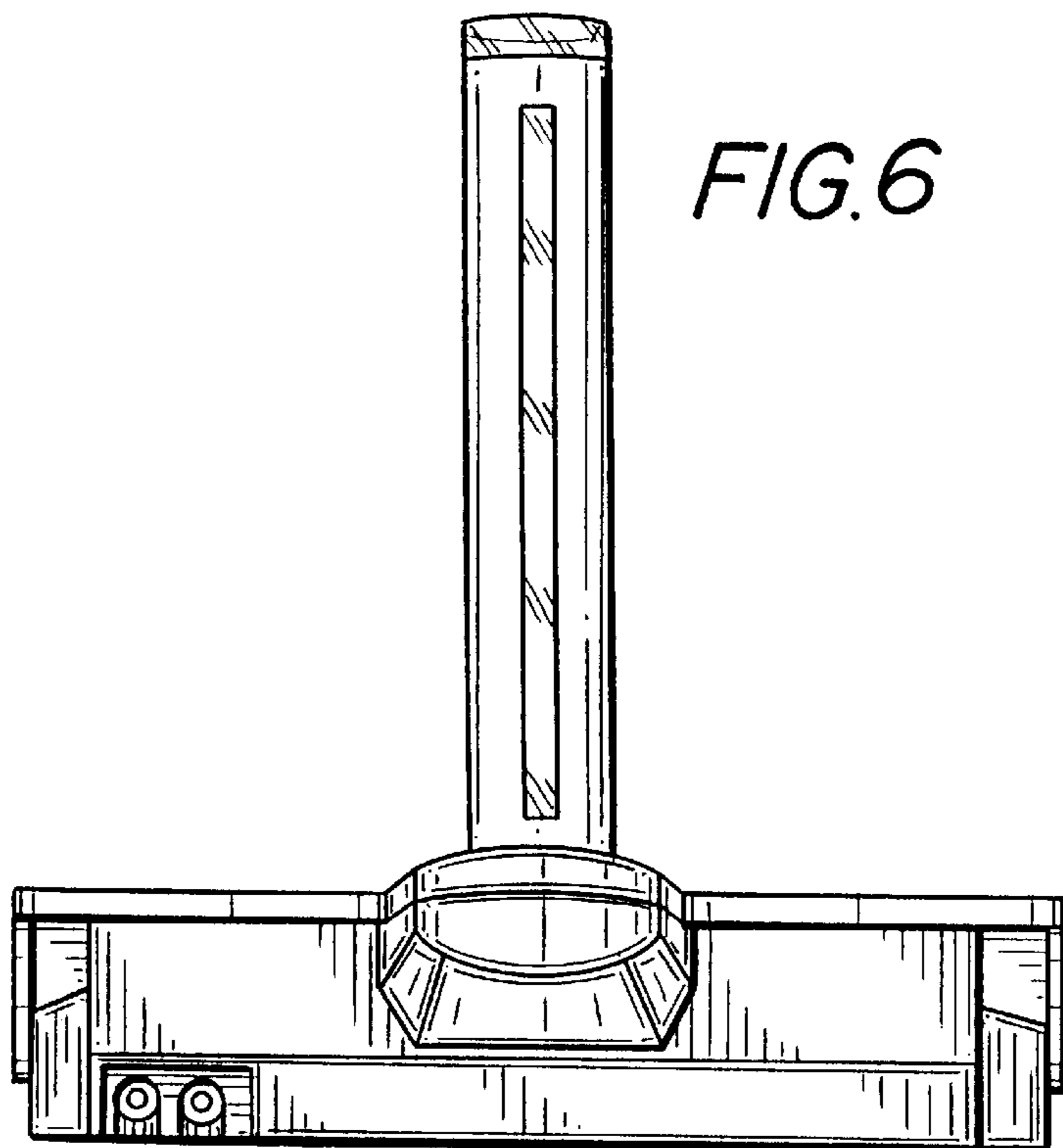
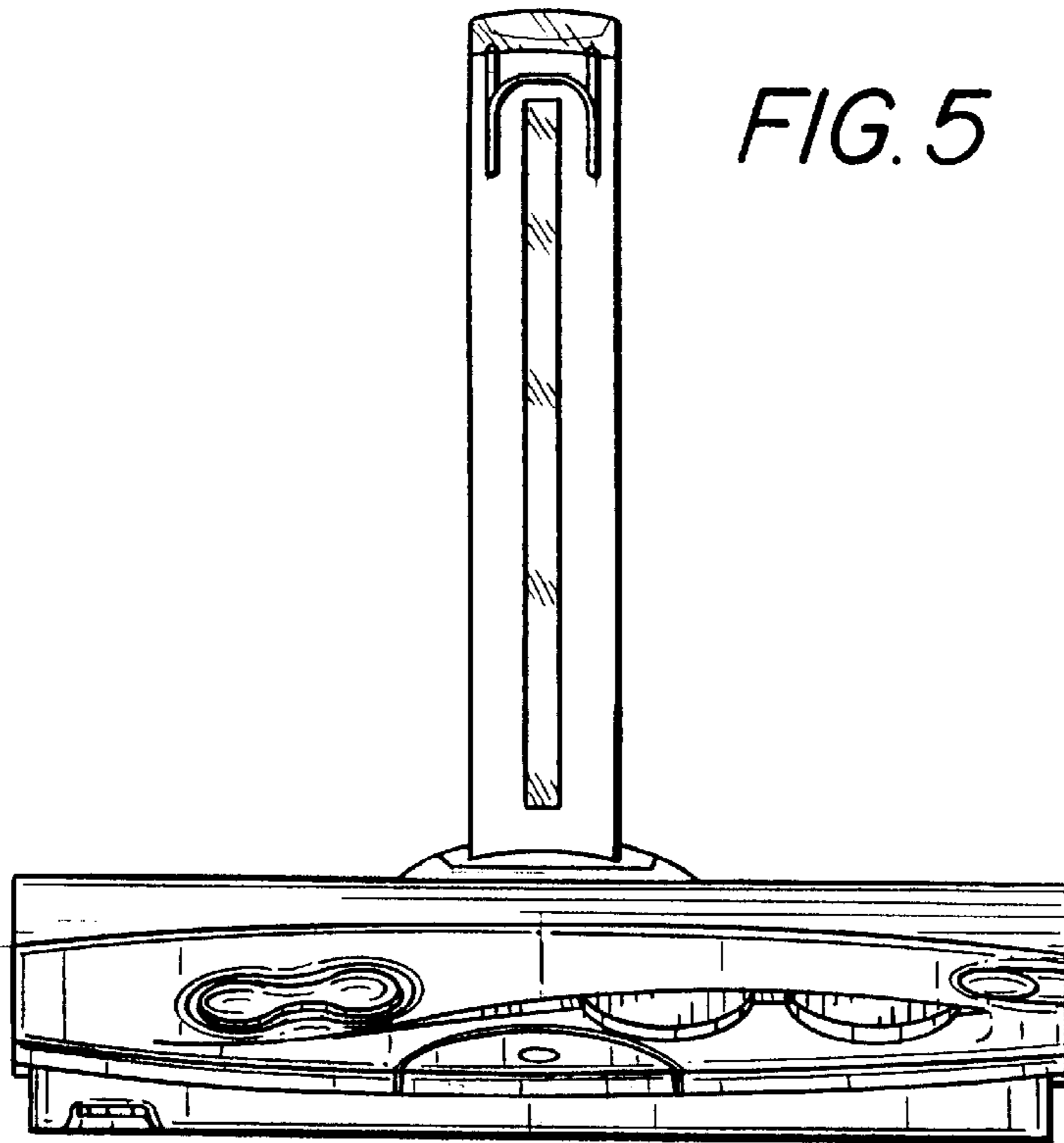


FIG. 7

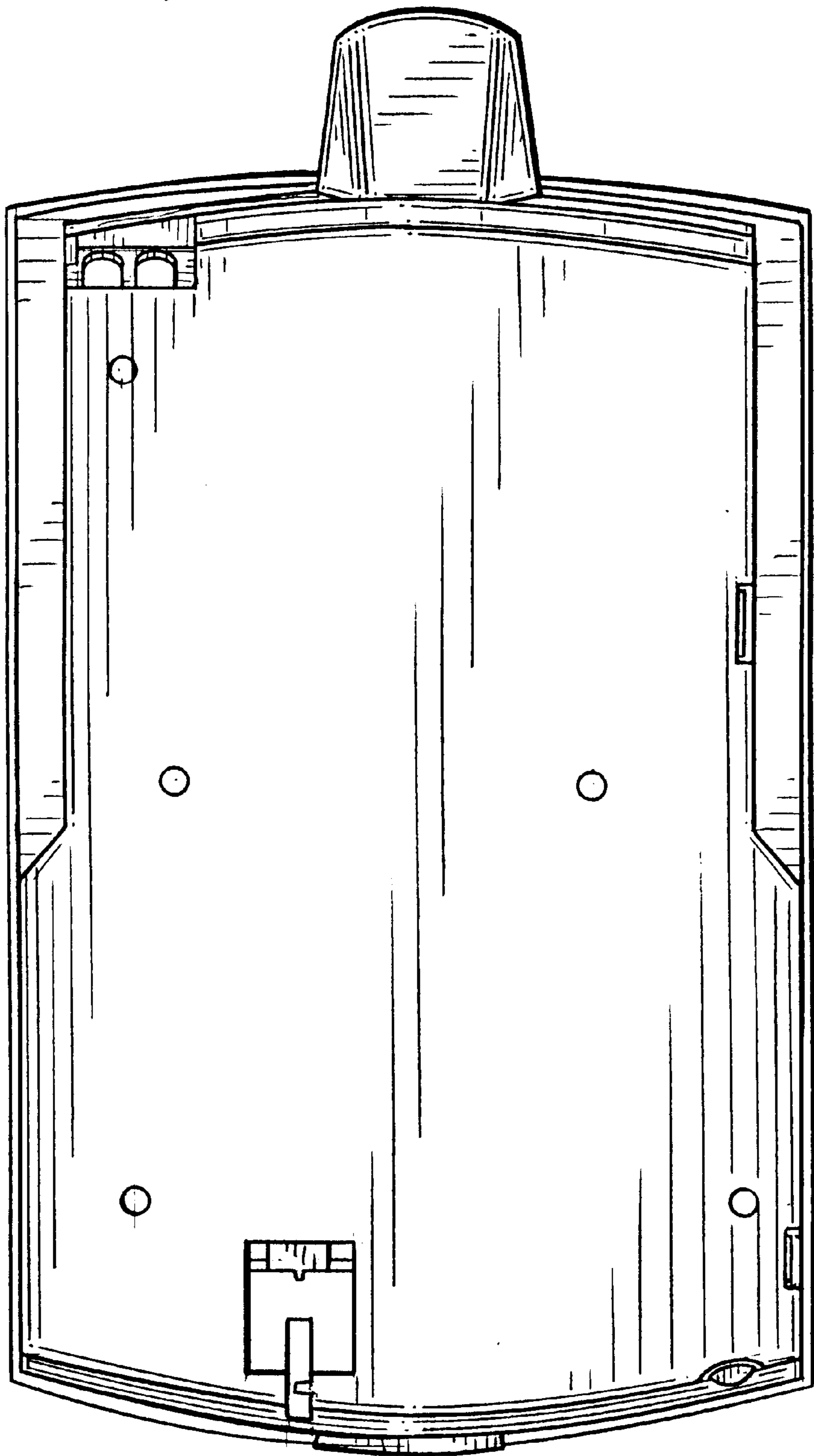


FIG. 8

