



US00D412900S

United States Patent [19] Utsugi

[11] **Patent Number: Des. 412,900**

[45] **Date of Patent: ** Aug. 17, 1999**

[54] **PICTURE REPRODUCER**

[75] Inventor: **Katsunari Utsugi**, Bunsui-machi, Japan

[73] Assignee: **Twinbird Corporation**, Japan

[**] Term: **14 Years**

[21] Appl. No.: **29/097,267**

[22] Filed: **Dec. 2, 1998**

[30] **Foreign Application Priority Data**

Jun. 18, 1998 [JP] Japan 10-17821

[51] **LOC (6) Cl.** **14-01**

[52] **U.S. Cl.** **D14/136; D14/132; D14/156**

[58] **Field of Search** D14/124-126,
D14/132, 135, 136, 156; 369/75.1, 75.2,
77.1, 77.2; 386/125, 126

[56] **References Cited**

U.S. PATENT DOCUMENTS

D. 338,003 8/1993 Nakayama D14/136

D. 342,501 12/1993 Saeki et al. D14/126

D. 350,957 9/1994 Sakata et al. D14/136
D. 371,357 7/1996 Nakamura D14/136
D. 377,648 1/1997 Young D14/136
5,265,083 11/1993 Ishii et al. 369/75.2

Primary Examiner—Adir Aronovich
Attorney, Agent, or Firm—Quarles & Brady

[57] **CLAIM**

The ornamental design for a picture reproducer, as shown and described.

DESCRIPTION

FIG. 1 is a perspective view from above of a picture reproducer, showing my new design;
FIG. 2 is a front elevation view thereof;
FIG. 3 is a left-side elevation view thereof;
FIG. 4 is a right-side elevation view thereof;
FIG. 5 is a rear elevation view thereof;
FIG. 6 is a top plan view thereof;
FIG. 7 is a bottom plan view thereof;
FIG. 8 is a perspective view in a first position in which the display is opened; and,
FIG. 9 is a perspective view in which the display is rotated.

1 Claim, 4 Drawing Sheets

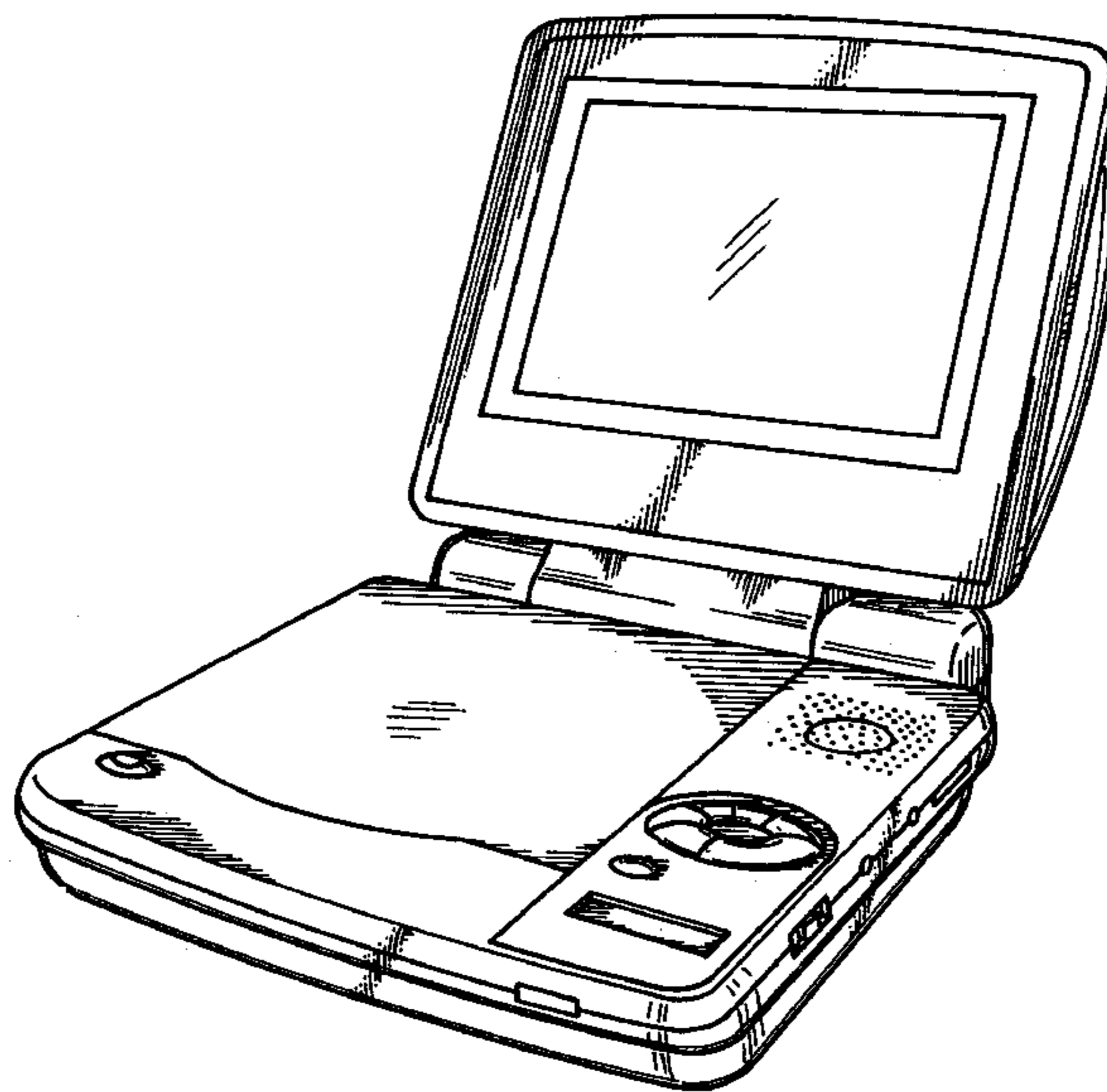
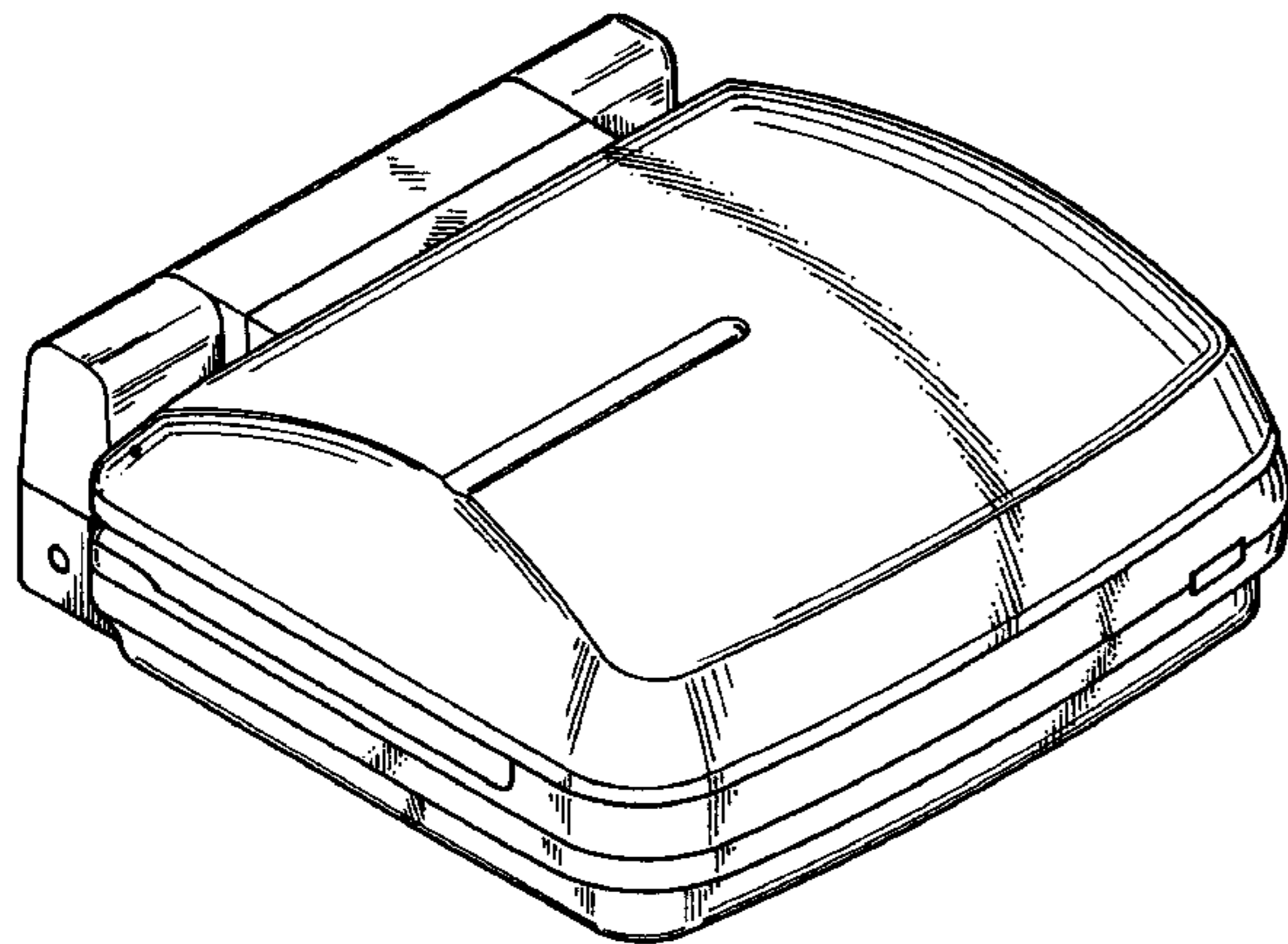


FIG. 1

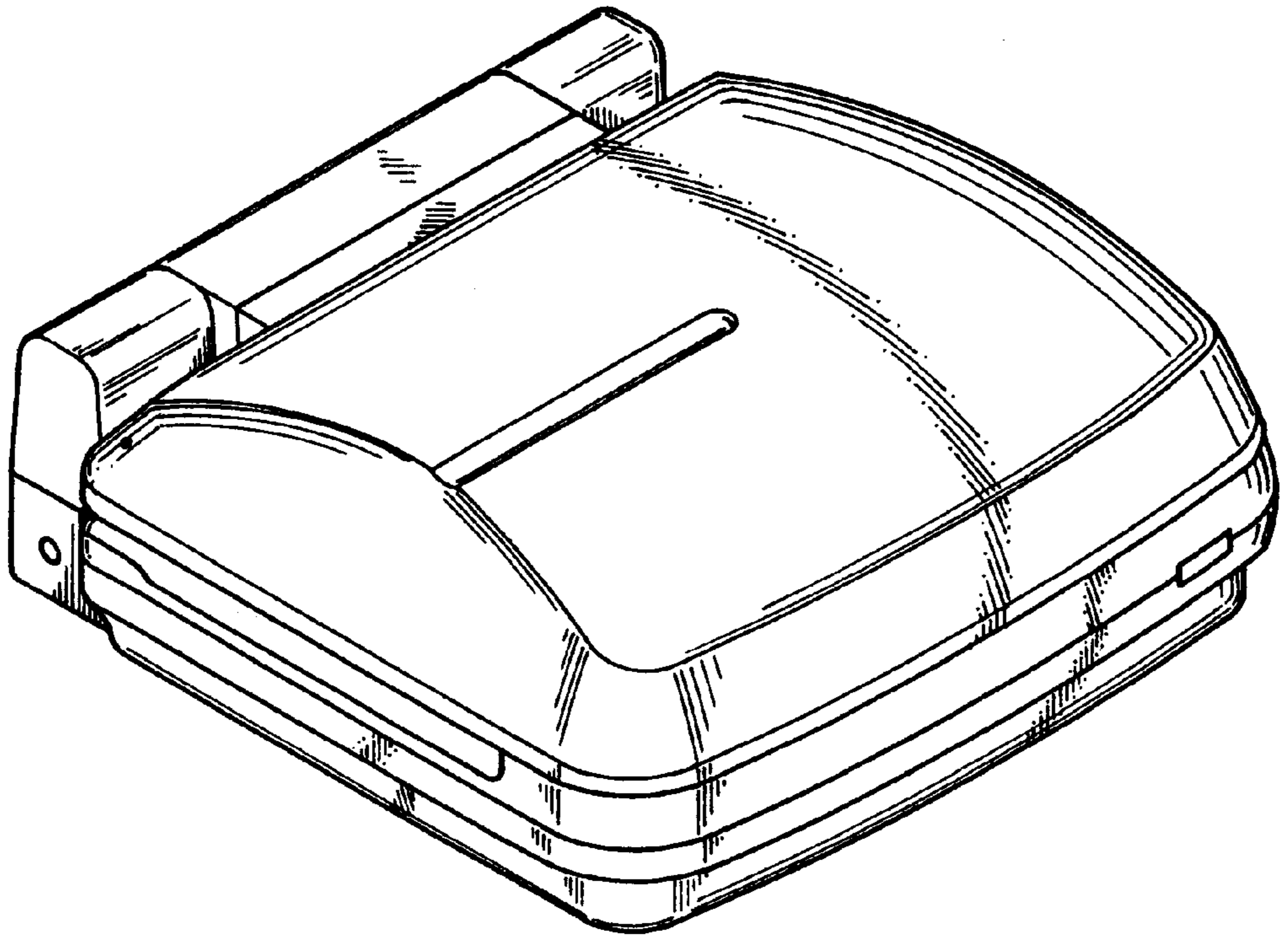


FIG. 2

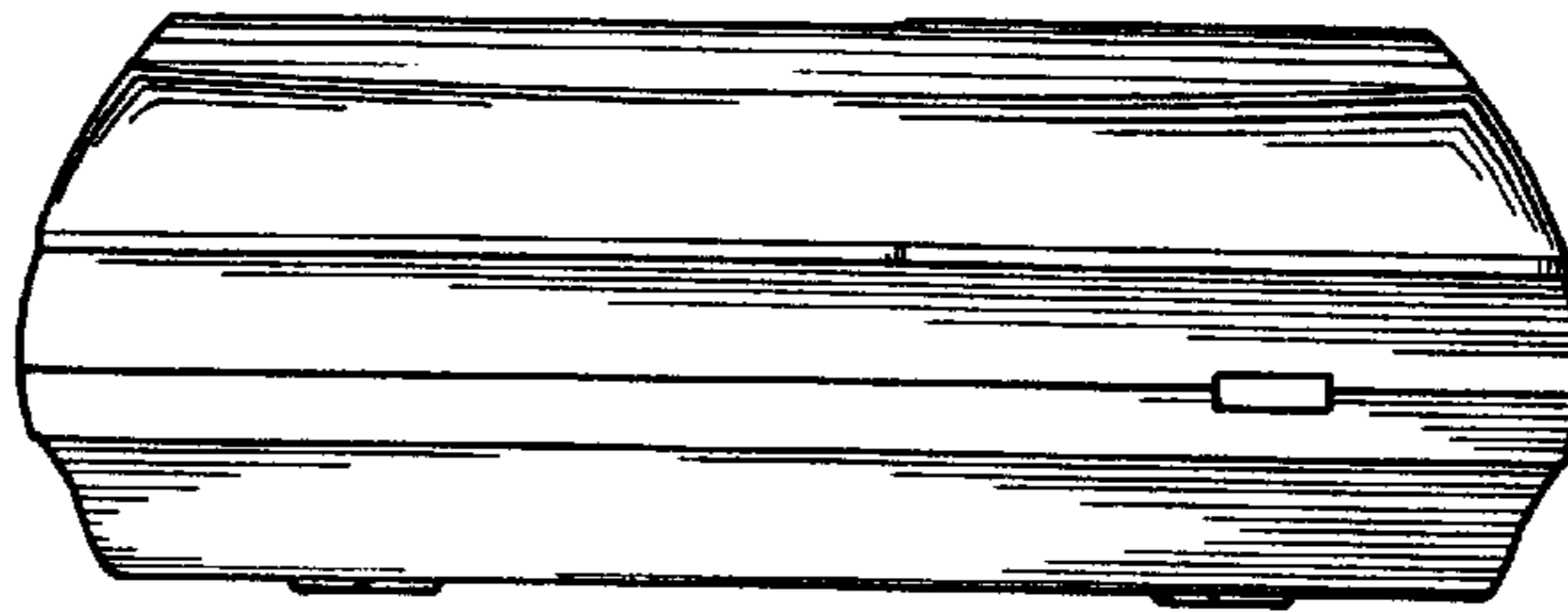


FIG. 3

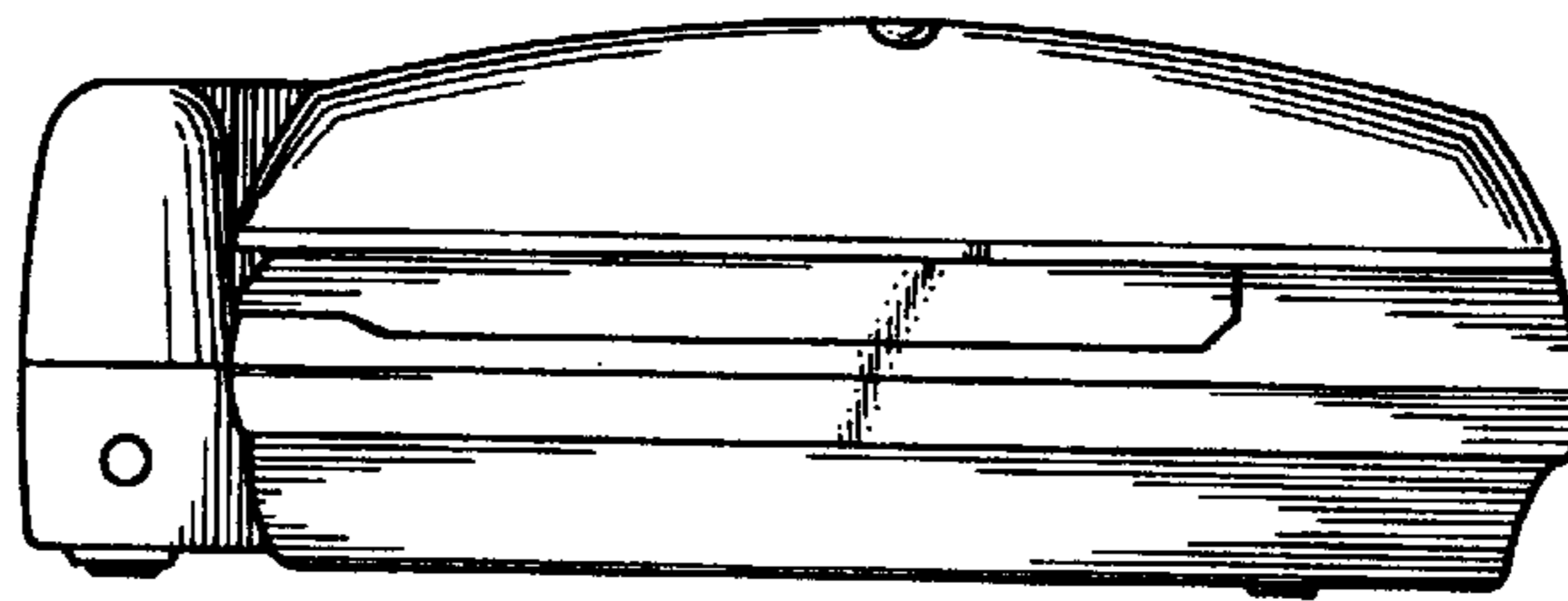


FIG. 4

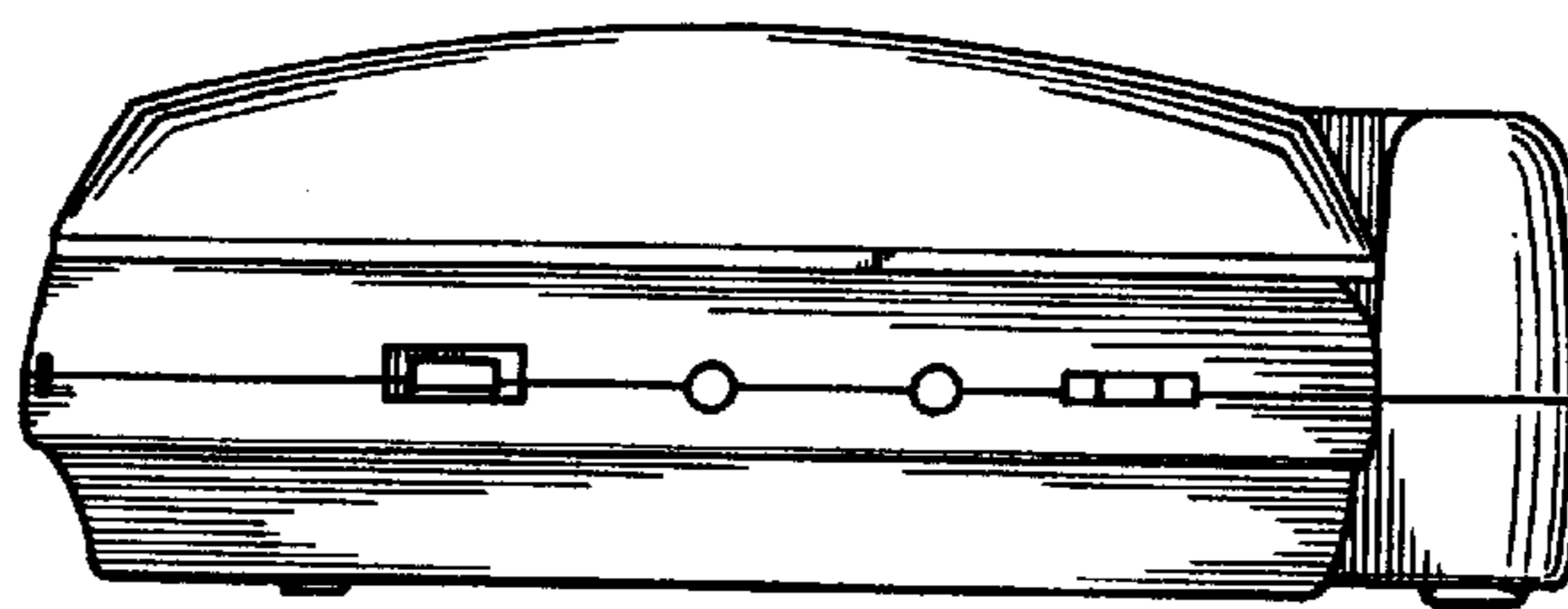


FIG. 5

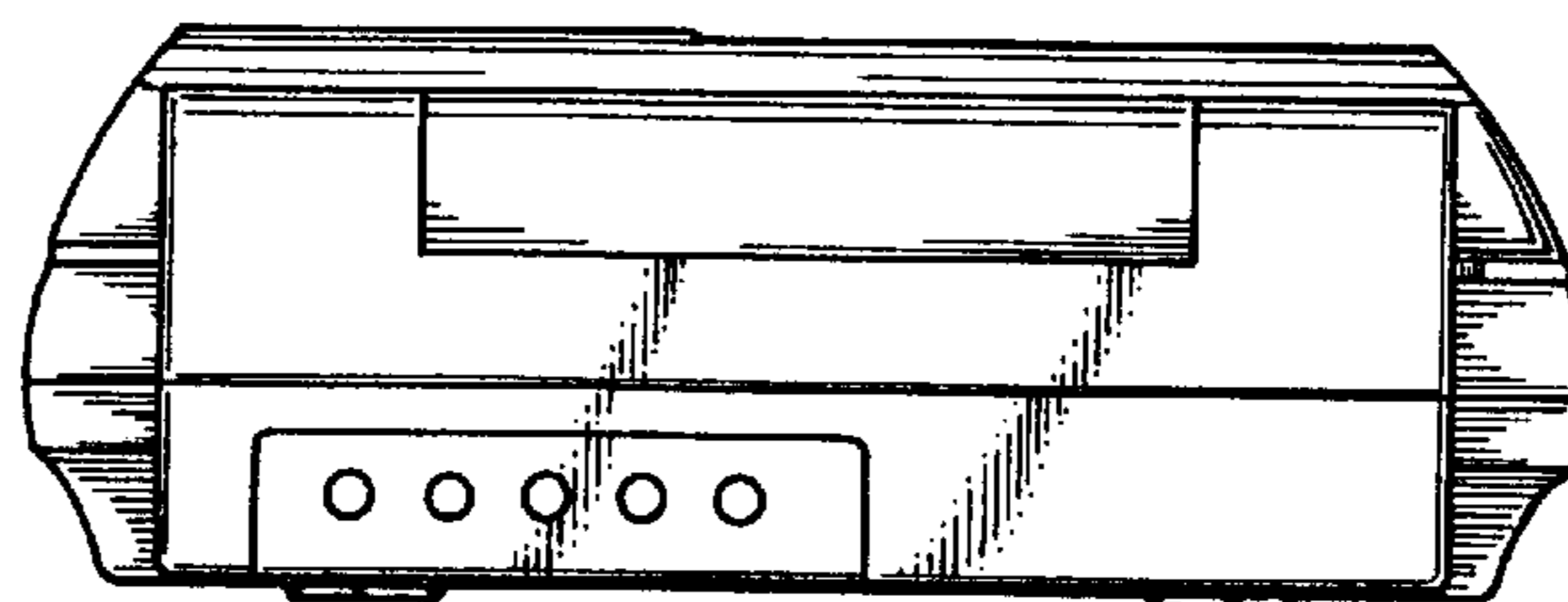


FIG. 6

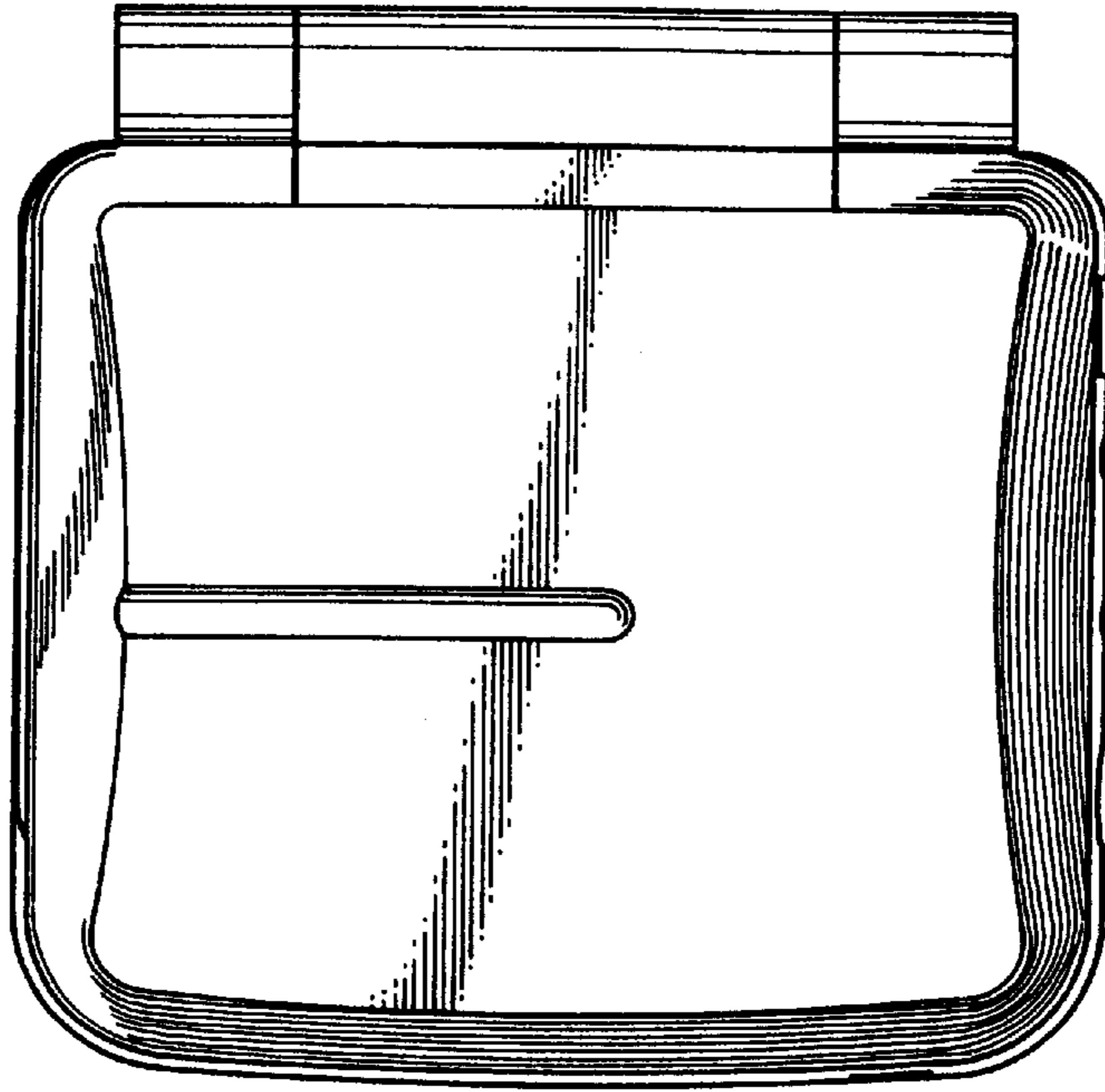


FIG. 7

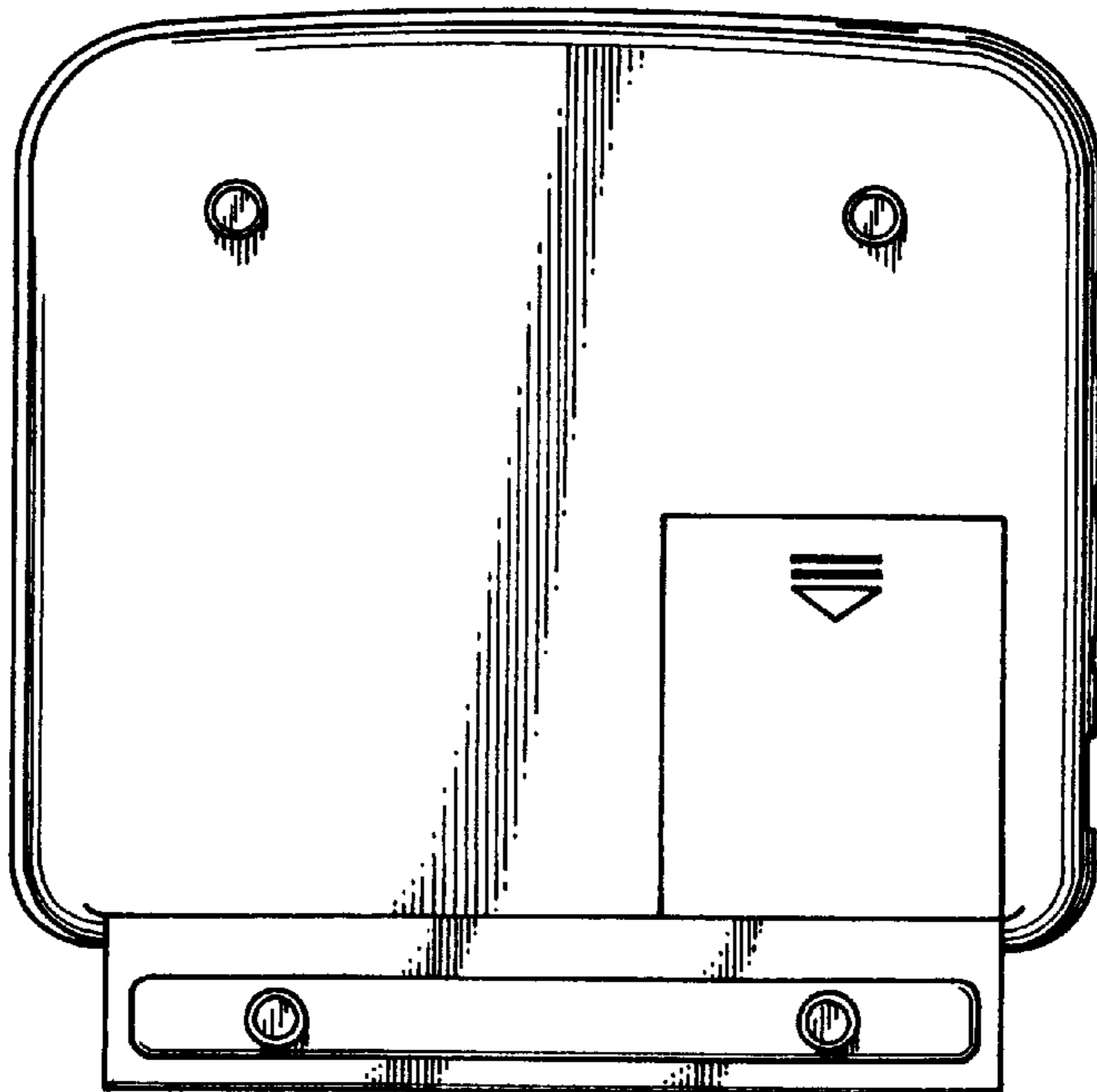


FIG. 8

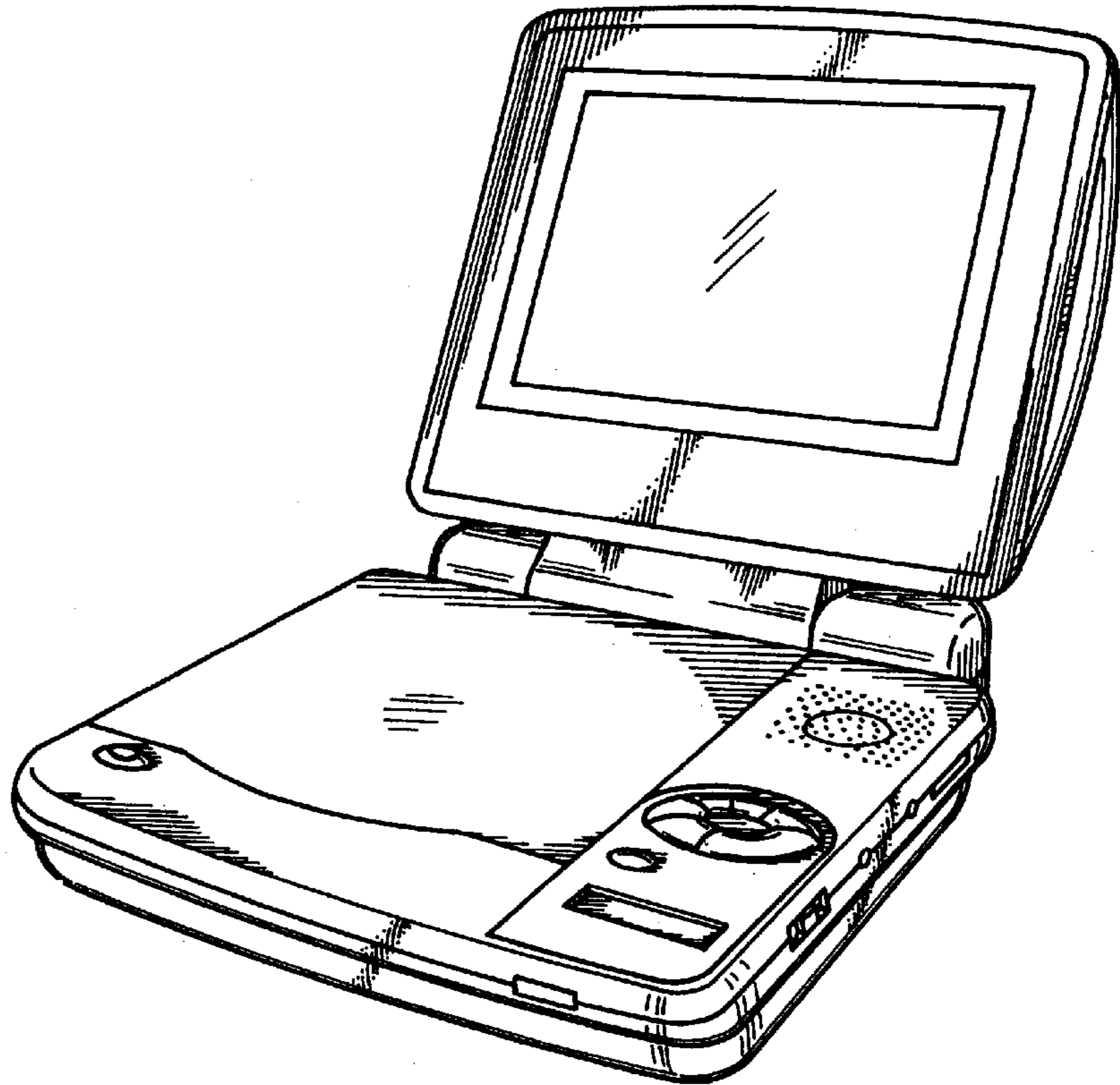


FIG. 9

