



US00D412899S

United States Patent [19] Rosen

[11] Patent Number: Des. 412,899

[45] Date of Patent: ** Aug. 17, 1999

[54] DEPLOYABLE DISPLAY

[75] Inventor: John B. Rosen, Eugene, Oreg.

[73] Assignee: Rosen Products LLC, Eugene, Oreg.

[**] Term: 14 Years

[21] Appl. No.: 29/083,849

[22] Filed: Feb. 18, 1998

[51] LOC (6) Cl. 14-03

[52] U.S. Cl. D14/132; D14/126; D14/113

[58] Field of Search D14/113, 126-134;
D19/60; 312/7.2; 248/917-924; 348/825,
827, 836, 837

5,222,780 6/1993 Reh et al. .
5,271,590 12/1993 Rosen .
5,311,302 5/1994 Berry et al. .
5,374,104 12/1994 Moore et al. .
5,547,248 8/1996 Marechal .

FOREIGN PATENT DOCUMENTS

PCT/JP90/
00180 2/1990 WIPO .

Primary Examiner—Ted Shooman
Assistant Examiner—Richelle Shelton
Attorney, Agent, or Firm—Kolisch, Hartwell, Dickinson,
McCormack & Heuser

[57] CLAIM

The ornamental design for a deployable display, as shown and described.

[56] References Cited

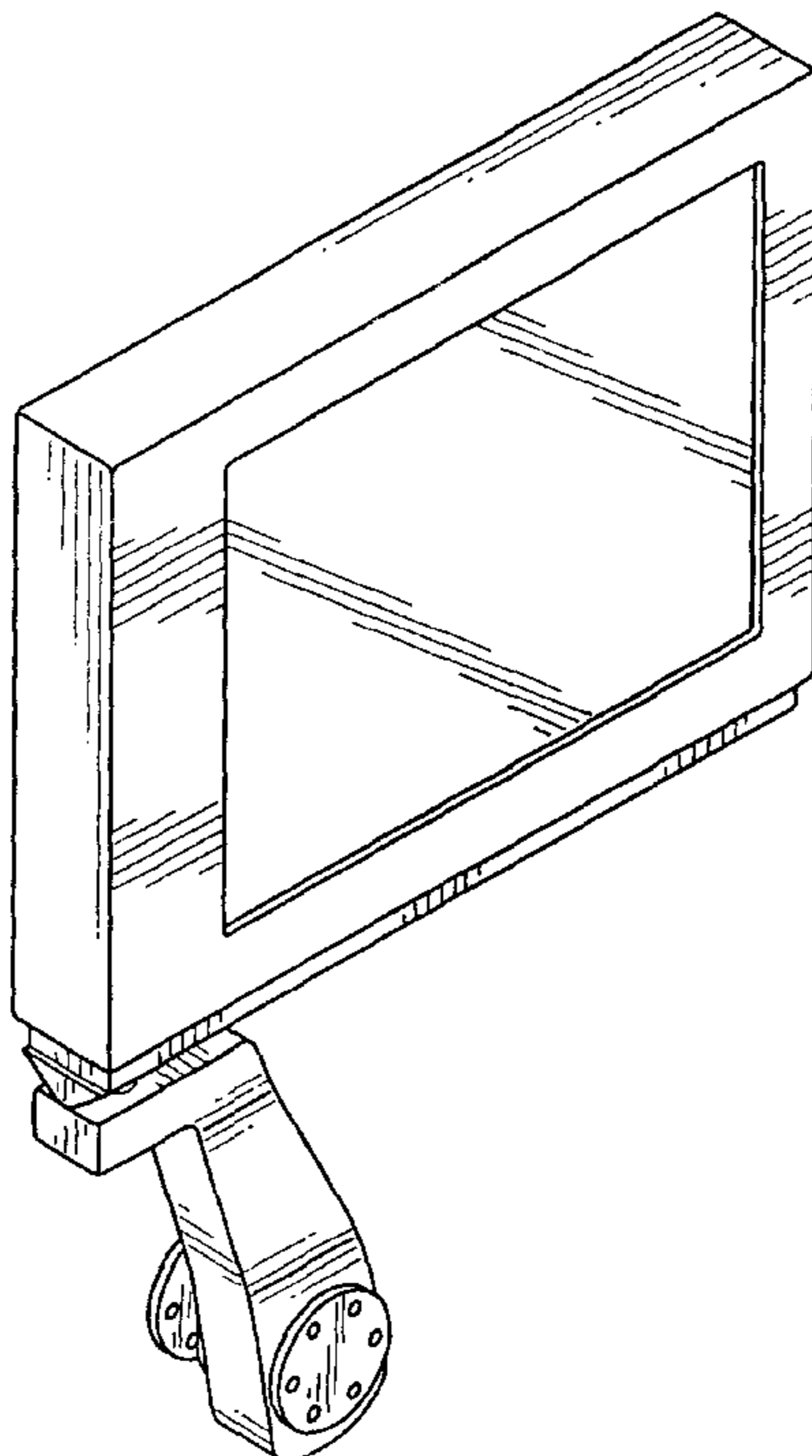
U.S. PATENT DOCUMENTS

- D. 340,235 10/1993 Robak et al. .
- D. 360,126 7/1995 Rosen .
- D. 367,477 2/1996 Rosen .
- D. 370,922 6/1996 Onoda et al. D14/113 X
- 3,291,432 12/1966 Lucasey .
- 3,358,957 12/1967 Lindenmuth .
- 4,438,458 3/1984 Munscher .
- 4,455,008 6/1984 MacKew .
- 4,620,808 11/1986 Kurtin et al. .
- 4,691,886 9/1987 Wendling et al. .
- 4,706,919 11/1987 Soberalski et al. .
- 4,768,744 9/1988 Leeds et al. .
- 4,836,486 6/1989 Vossoughi et al. .
- 4,982,996 1/1991 Vottero-Fin et al. .
- 5,076,524 12/1991 Reh et al. .
- 5,107,402 4/1992 Malgouires .
- 5,177,616 1/1993 Riday .
- 5,179,447 1/1993 Lain .
- 5,195,709 3/1993 Yasushi .

DESCRIPTION

FIG. 1 is an isometric view of a deployable display constructed in accordance with the present invention; FIG. 2 is a front view of the deployable display shown in FIG. 1, a cavity for receipt of the display being shown in dashed lines as environment and forming no part of the claimed design; FIG. 3 is a left-side view of the deployable display shown in FIG. 1; FIG. 4 is a right-side view thereof; FIG. 5 is a bottom view thereof; FIG. 6 is a top view thereof; and, FIG. 7 is a rear view of the deployable display shown in FIG. 1, the cavity for receipt of the display being shown in dashed lines as environment and forming no part of the claimed design.

1 Claim, 2 Drawing Sheets



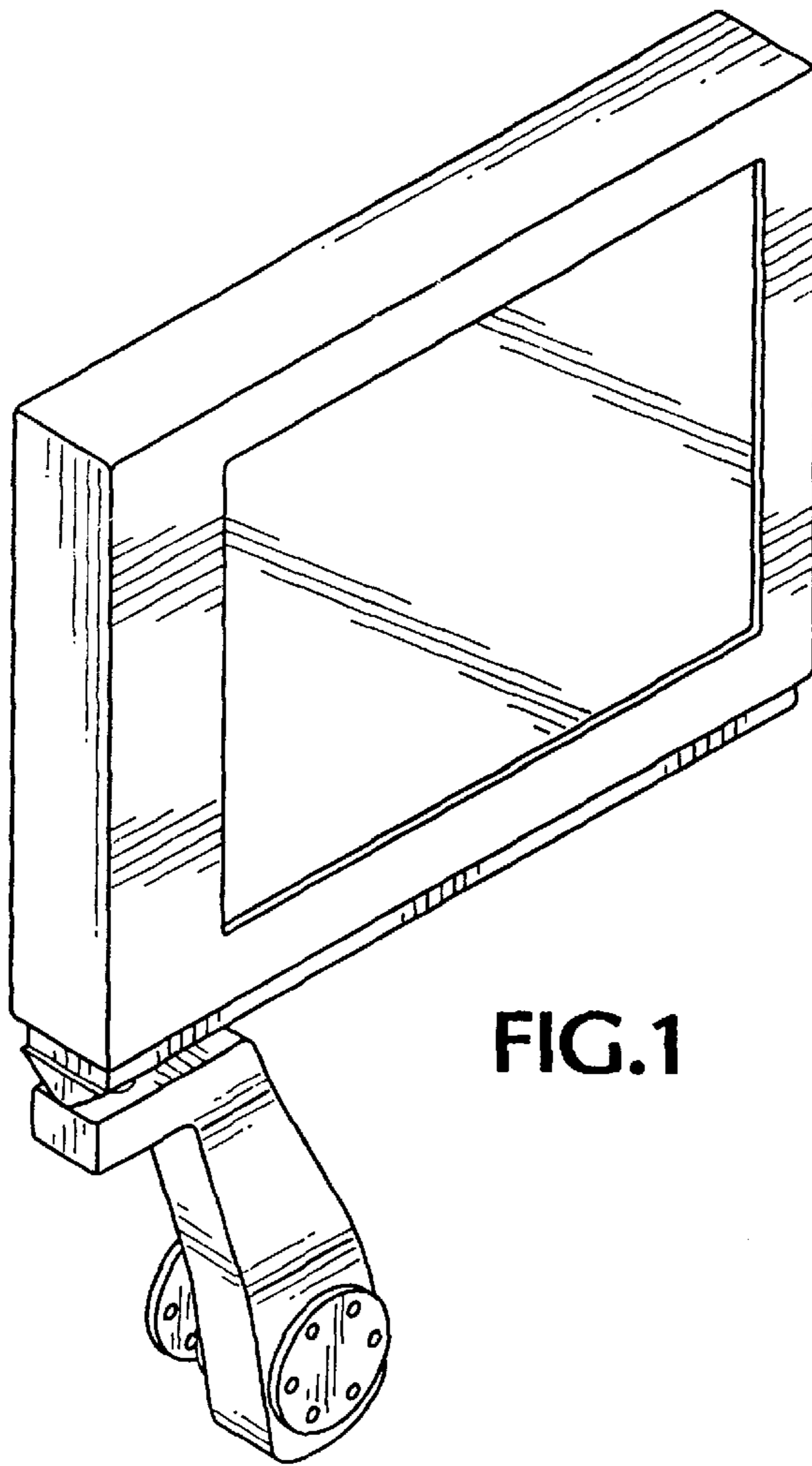


FIG. 1

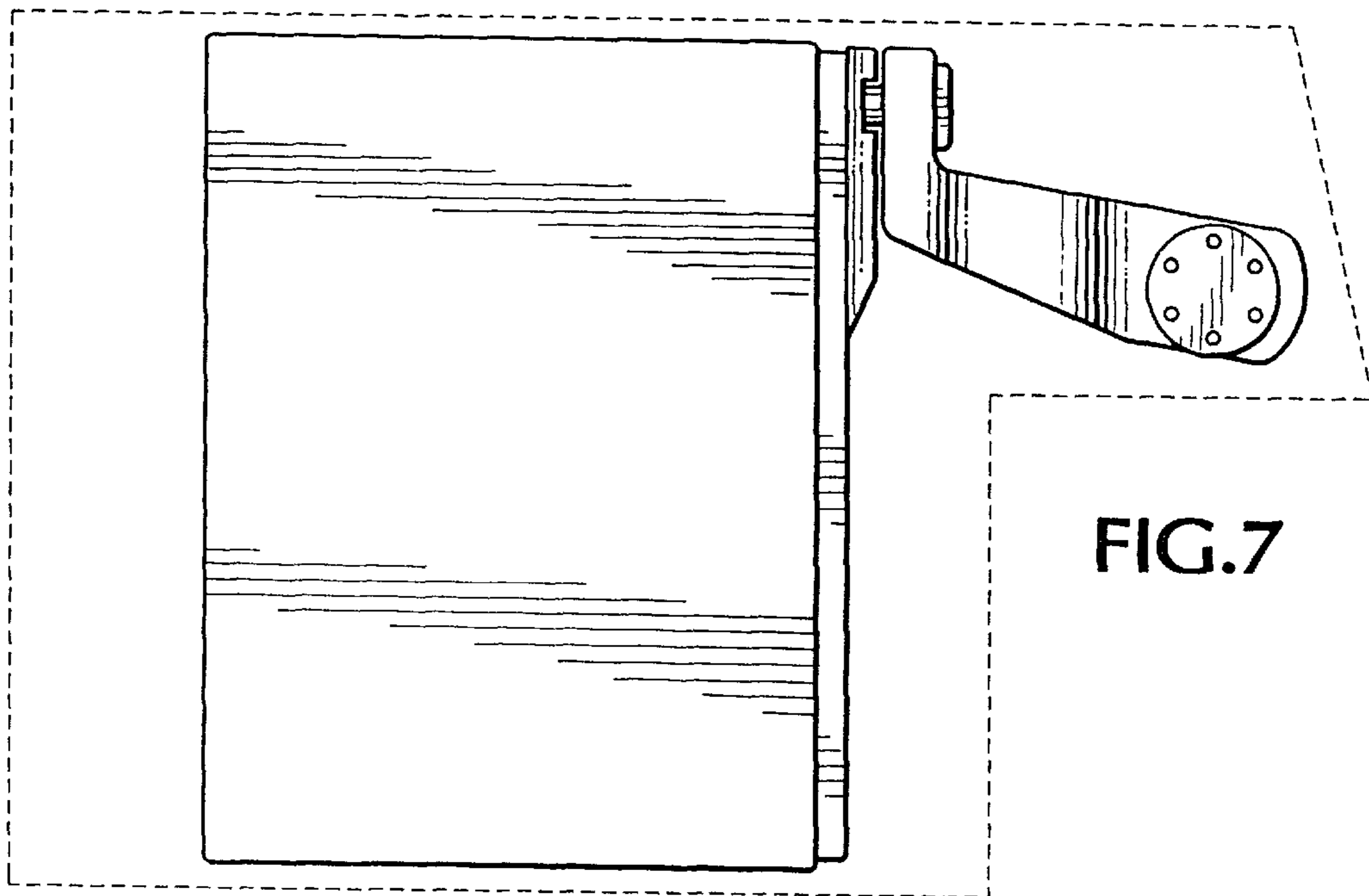


FIG. 7



FIG. 5



FIG. 6

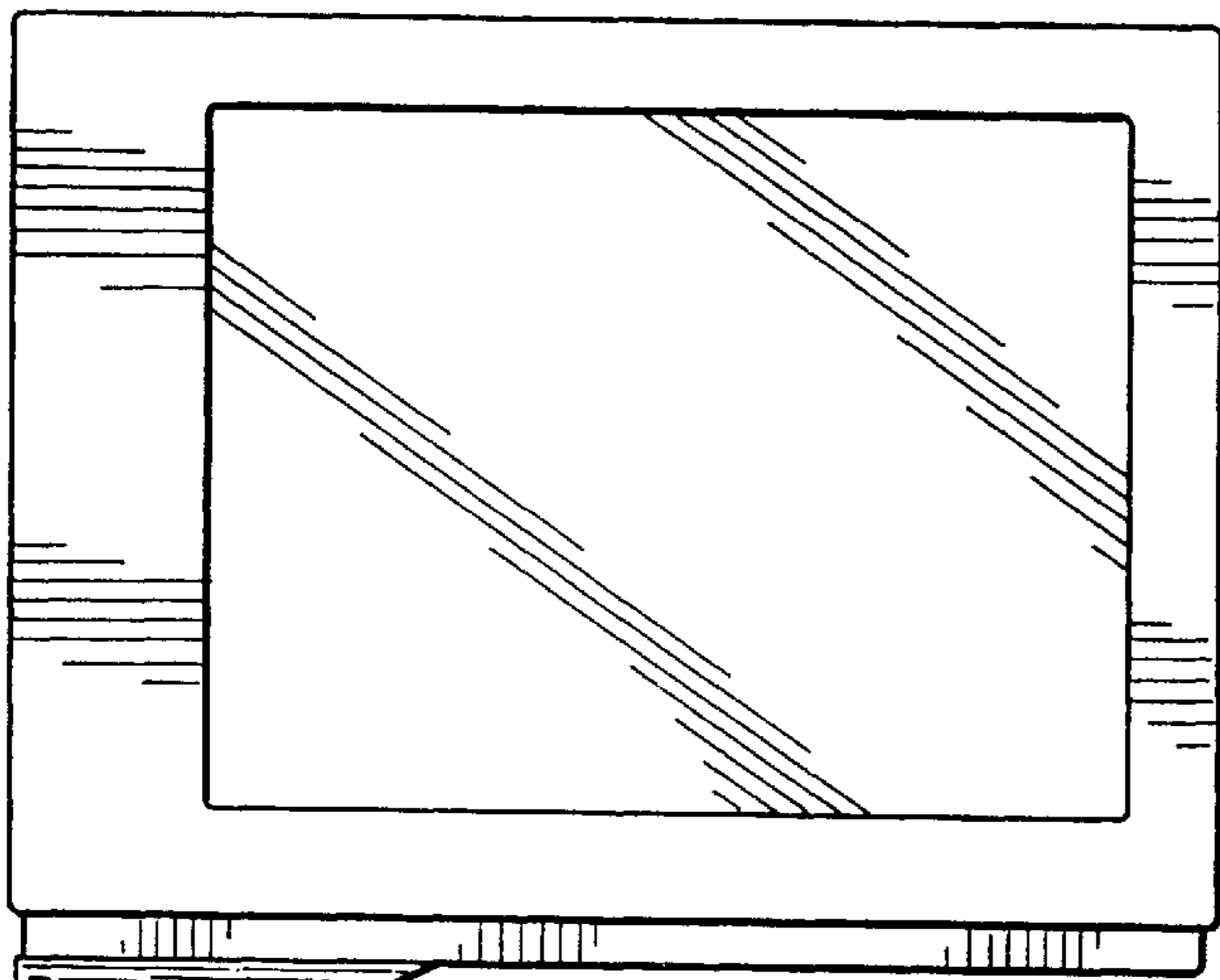


FIG. 2

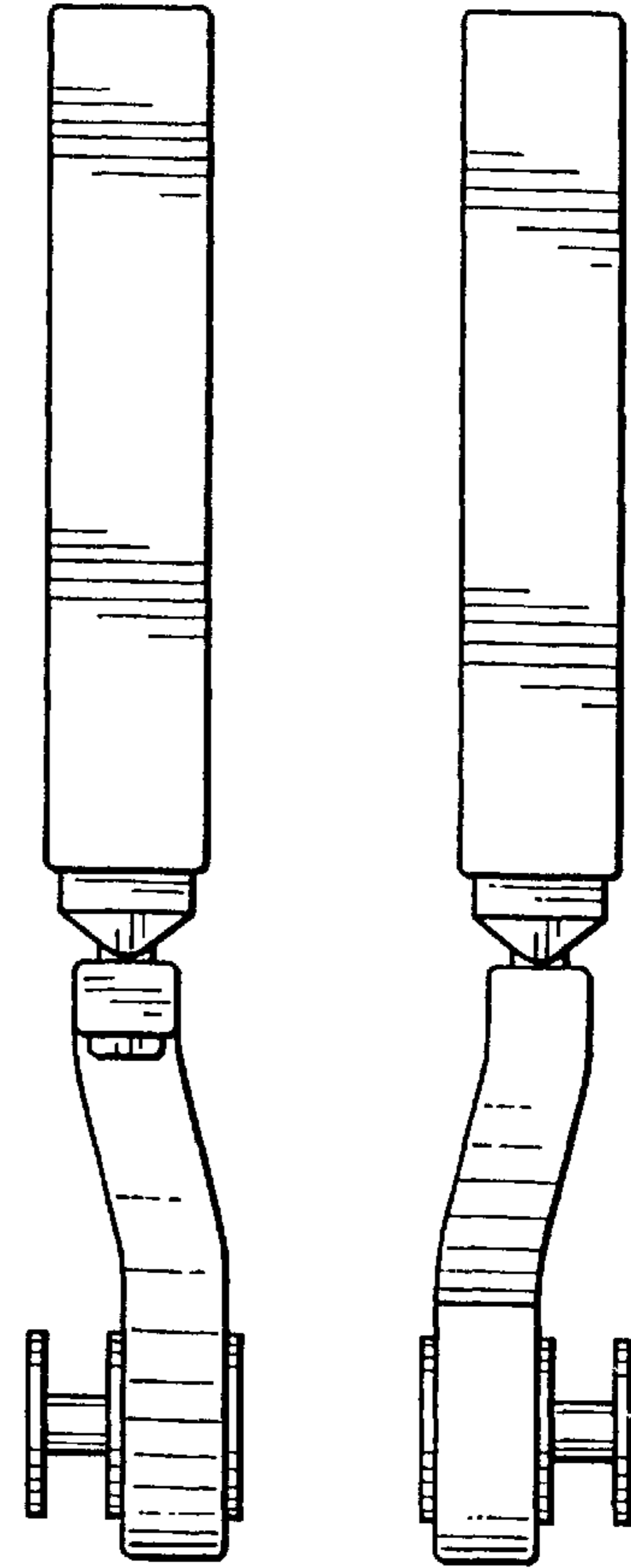


FIG. 3 FIG. 4