



US00D412898S

United States Patent [19]

[11] Patent Number: Des. 412,898

Adams et al.

[45] Date of Patent: ** Aug. 17, 1999

[54] **COMPUTER MOUSE**

[75] Inventors: **Aditha M. Adams; Steven T. Kaneko**, both of Seattle; **Carl J. Ledbetter**, Lynnwood; **Hugh E. McLoone**, Bellevue, all of Wash.

[73] Assignee: **Microsoft Corporation**, Redmond, Wash.

[**] Term: **14 Years**

[21] Appl. No.: **29/092,818**

[22] Filed: **Aug. 27, 1998**

[51] **LOC (6) Cl.** **14-02**

[52] **U.S. Cl.** **D14/117.3**

[58] **Field of Search** D14/100, 114, D14/117.1-117.9; D13/158, 147; D21/324; 200/5 R, 5 A, 6 R, 6 A; 273/148 R; 345/156-167; 74/471

[56] **References Cited**

U.S. PATENT DOCUMENTS

D. 288,569	3/1987	Ida	D14/114
D. 302,426	7/1989	Bradley et al.	D14/114
D. 328,597	8/1992	Clouss	D14/114
D. 330,706	11/1992	San-Yih	D14/114
D. 331,231	11/1992	Yang	D14/114
D. 336,900	6/1993	Pfeifer	D14/114
D. 337,321	7/1993	Koh et al.	D14/114
D. 340,926	11/1993	Lin	D14/114
D. 343,392	1/1994	Harden et al.	D14/114
D. 344,498	2/1994	Leman	D14/114
D. 346,373	4/1994	Grant	D14/114
D. 348,057	6/1994	Bradley	D14/114
D. 349,493	8/1994	Cheng	D14/114
D. 354,484	1/1995	Skaggs	D14/114
D. 355,901	2/1995	Bradley	D14/114
D. 356,558	3/1995	Montgomery et al.	D14/114
D. 363,712	10/1995	Yamada	D14/114
D. 368,080	3/1996	Aeschbacher et al.	D14/114
D. 368,900	4/1996	Ma	D14/114
D. 369,593	5/1996	Ma	D14/114
D. 371,771	7/1996	Verstockt	D14/114
D. 372,908	8/1996	Aeschbacher et al.	D14/114

D. 373,122	8/1996	Lo	D14/114
D. 373,760	9/1996	Willhelm	D14/114
D. 373,999	9/1996	Staats	D14/114
D. 374,867	10/1996	Canavan	D14/114
D. 375,729	11/1996	Aeschbacher et al.	D14/114
D. 376,789	12/1996	Tickle	D14/114
D. 377,487	1/1997	Shih et al.	D14/114
D. 378,086	2/1997	Sheehan et al.	D14/114
D. 381,014	7/1997	Kraus et al.	D14/114
D. 381,968	8/1997	Edwards et al.	D14/114
D. 381,969	8/1997	Ratzlaff	D14/114
D. 381,970	8/1997	Gasca	D14/114
D. 381,971	8/1997	Wu	D14/114
D. 397,330	8/1998	Lister-Meyers et al.	D14/114
D. 399,835	10/1998	Goldstein et al.	D14/114
D. 400,518	11/1998	Cullen	D14/114

(List continued on next page.)

FOREIGN PATENT DOCUMENTS

0 413 606 A2	2/1991	European Pat. Off.	.
2 698 986	6/1994	France	.
41435	5/1908	Germany	.
WO 92/14235	8/1992	WIPO	.
WO 94/27207	11/1994	WIPO	.

Primary Examiner—Kay H. Chin
Attorney, Agent, or Firm—Westman, Champlin & Kelly, P.A.

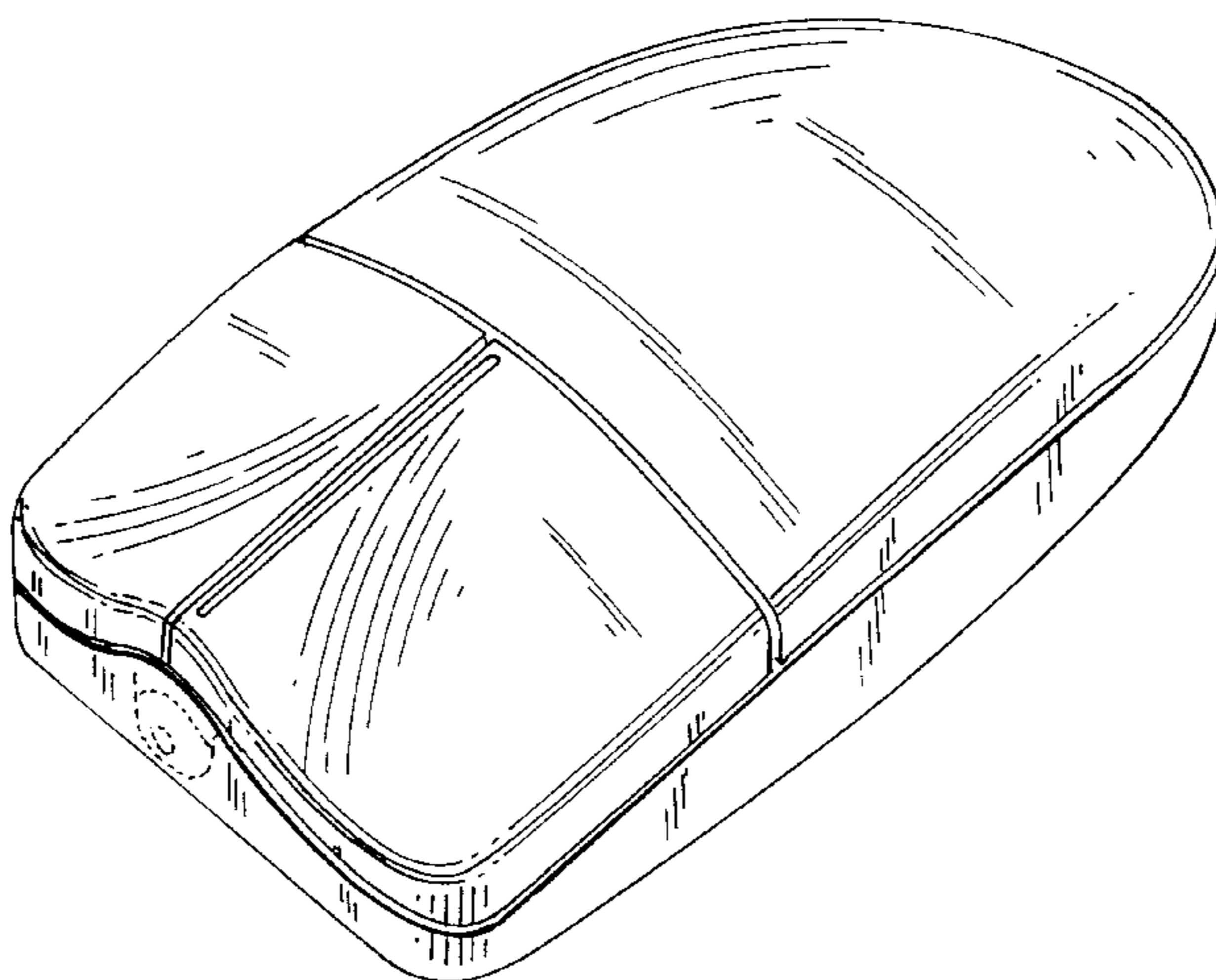
[57] **CLAIM**

The ornamental design for a computer mouse, as shown and described.

DESCRIPTION

FIG. 1 is a perspective view of a computer mouse showing our new design;
FIG. 2 is a left side elevational view thereof;
FIG. 3 is a right side elevational view thereof;
FIG. 4 is a front elevational view thereof;
FIG. 5 is a rear elevational view thereof;
FIG. 6 is a top plan view thereof; and,
FIG. 7 is a bottom plan view thereof, the broken lines are for illustrative purposes only and form no part of the claimed design.

1 Claim, 3 Drawing Sheets



U.S. PATENT DOCUMENTS

3,972,628	8/1976	Stevens	401/48	5,355,147	10/1994	Lear	345/156
4,862,165	8/1989	Gart	341/20	5,355,148	10/1994	Anderson	345/166
4,891,632	1/1990	Chang	340/710	5,374,942	12/1994	Gilligan et al.	345/157
5,157,381	10/1992	Cheng	340/710	5,414,445	5/1995	Kaneko et al.	345/163
5,160,919	11/1992	Mohler et al.	340/711	5,428,368	6/1995	Grant	345/163
5,252,970	10/1993	Baronowsky	341/20	5,446,481	8/1995	Gillick et al.	345/163
5,260,696	11/1993	Maynard, Jr.	345/163	5,473,344	12/1995	Bacon et al.	345/163
5,287,090	2/1994	Grant	345/163	5,570,112	10/1996	Robinson	345/163
5,287,120	2/1994	Okada et al.	345/163	5,576,733	11/1996	Lo	345/163
5,296,871	3/1994	Paley	345/163	5,581,277	12/1996	Tajiri	345/163
5,298,919	3/1994	Chang	345/163	5,633,658	5/1997	Ma	345/161
5,313,230	5/1994	Venolia et al.	345/163	5,657,051	8/1997	Liao	345/163
5,340,067	8/1994	Martin et al.	248/118.5	5,661,504	8/1997	Lo	345/164

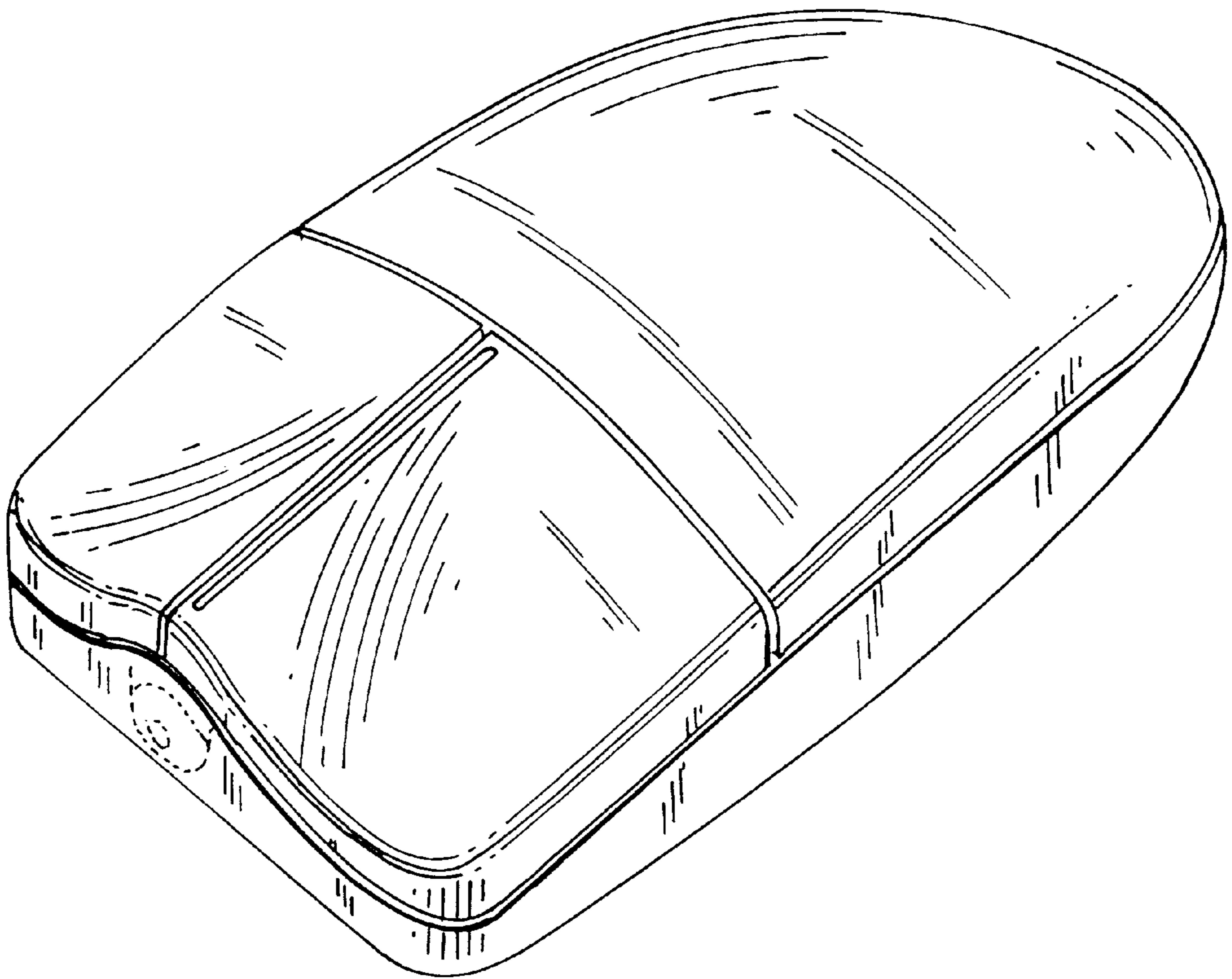


Fig. 1

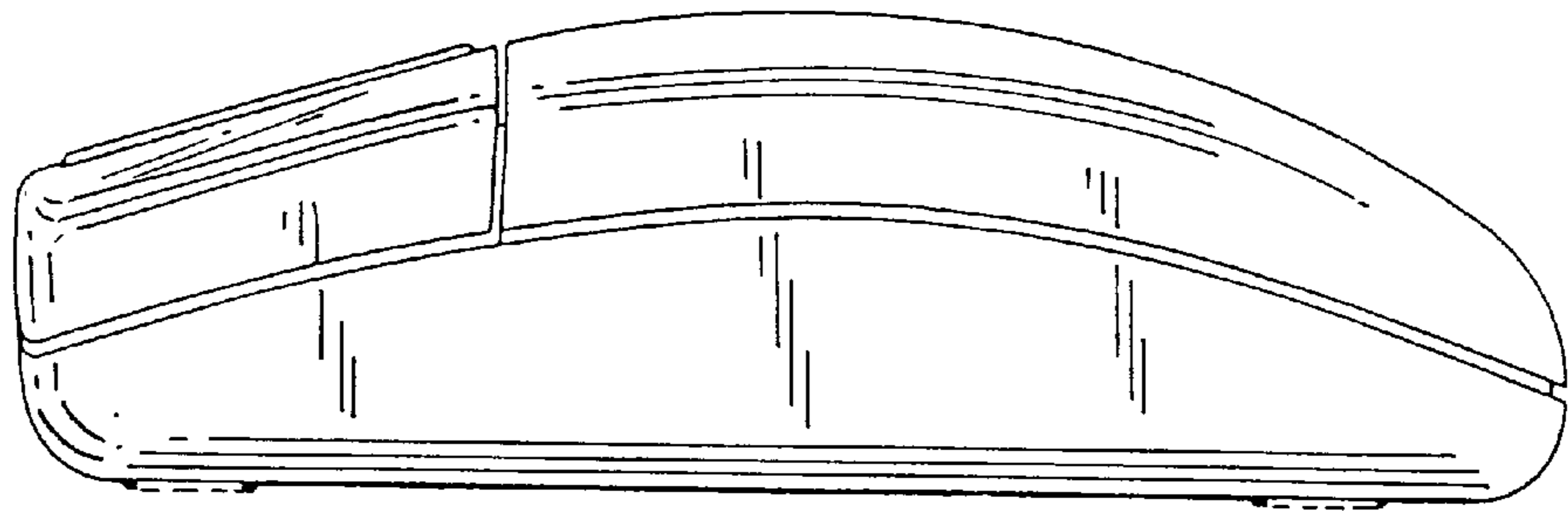


Fig. 2

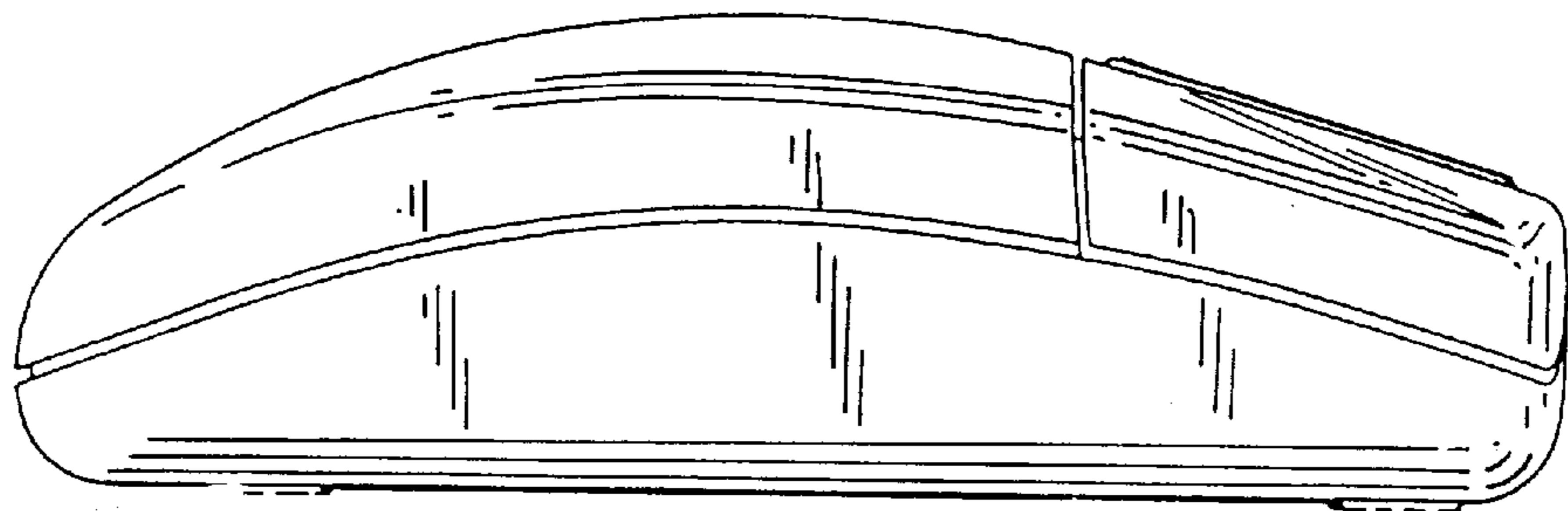


Fig. 3

Fig. 4

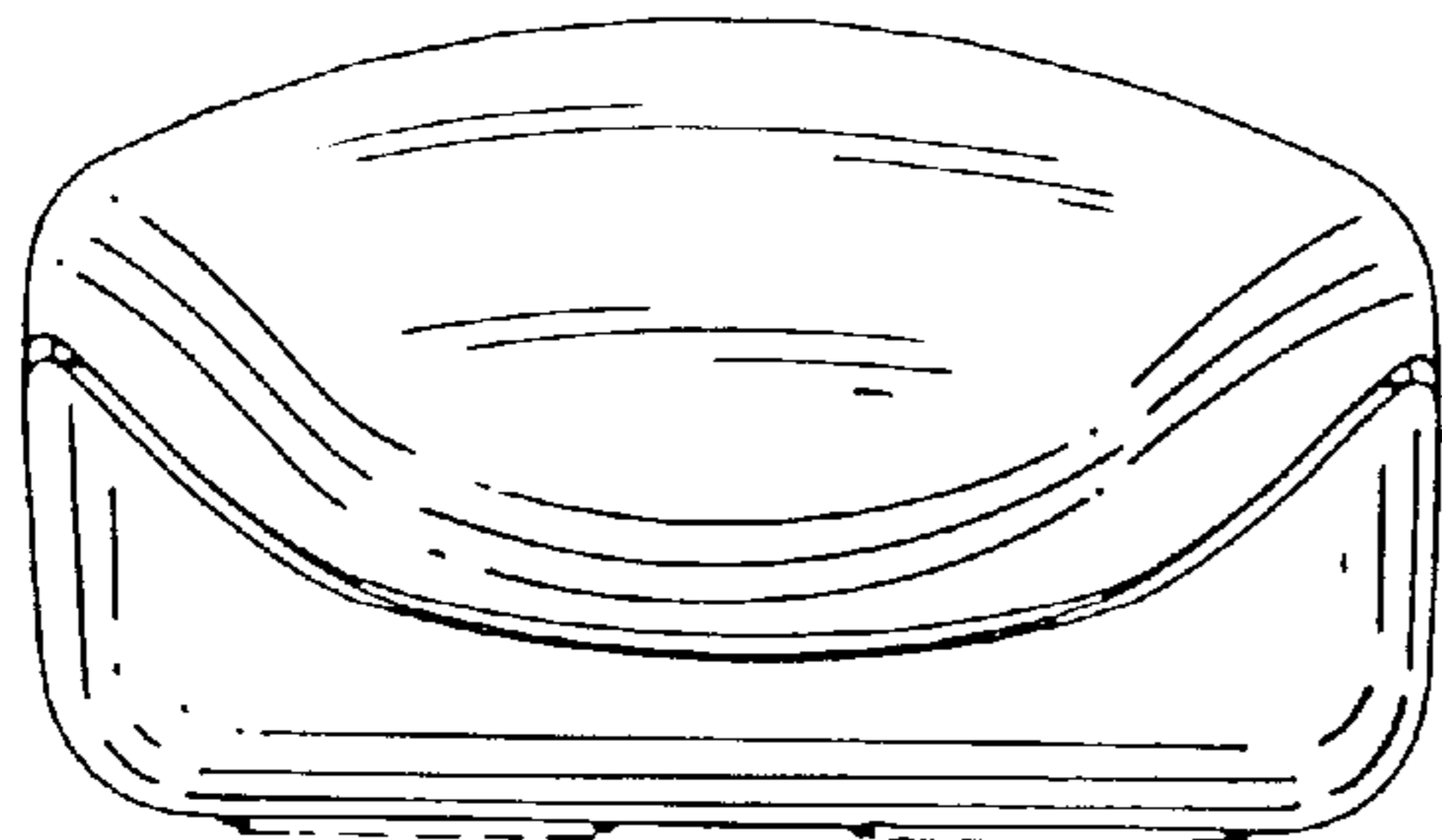
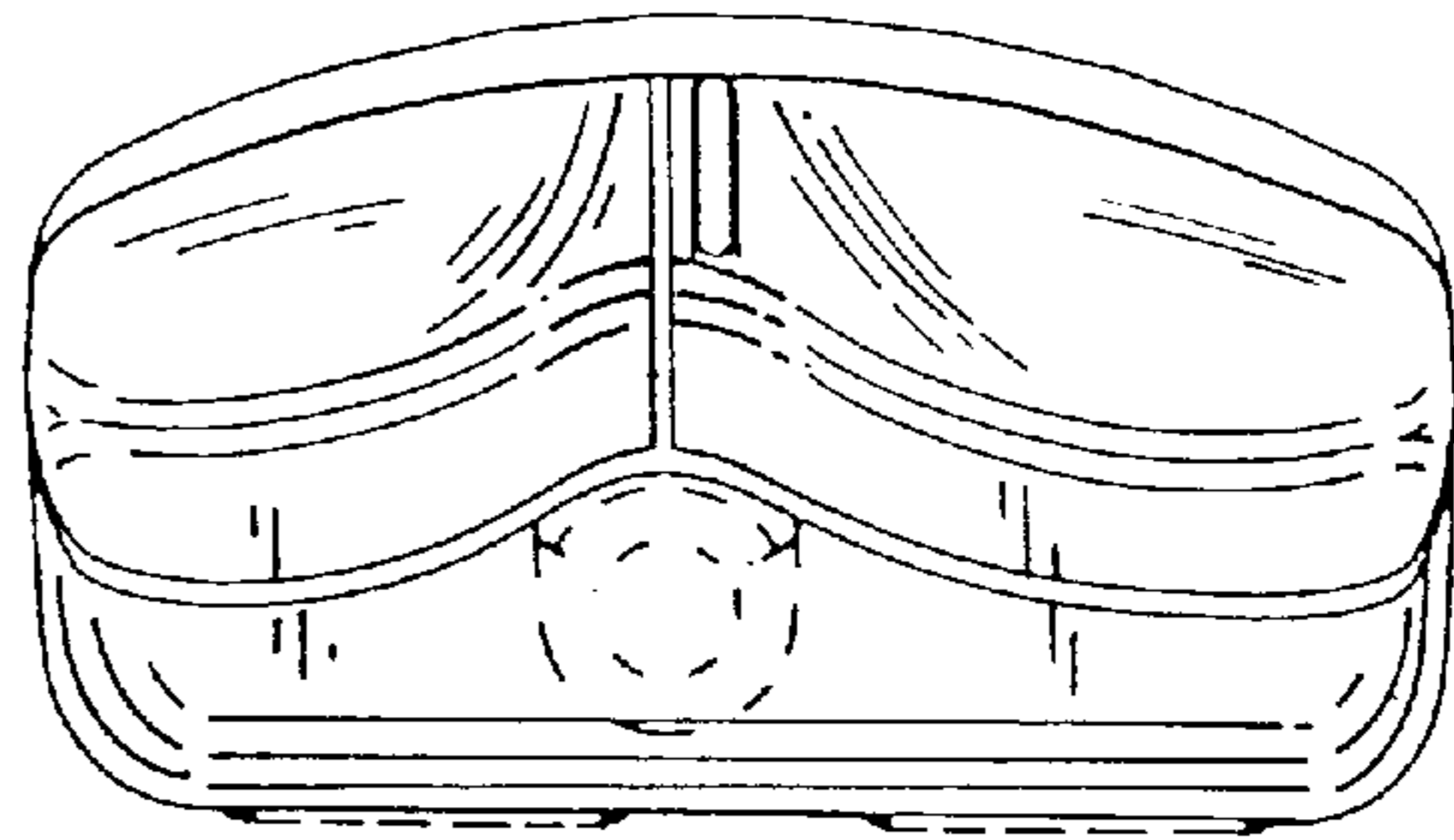


Fig. 5

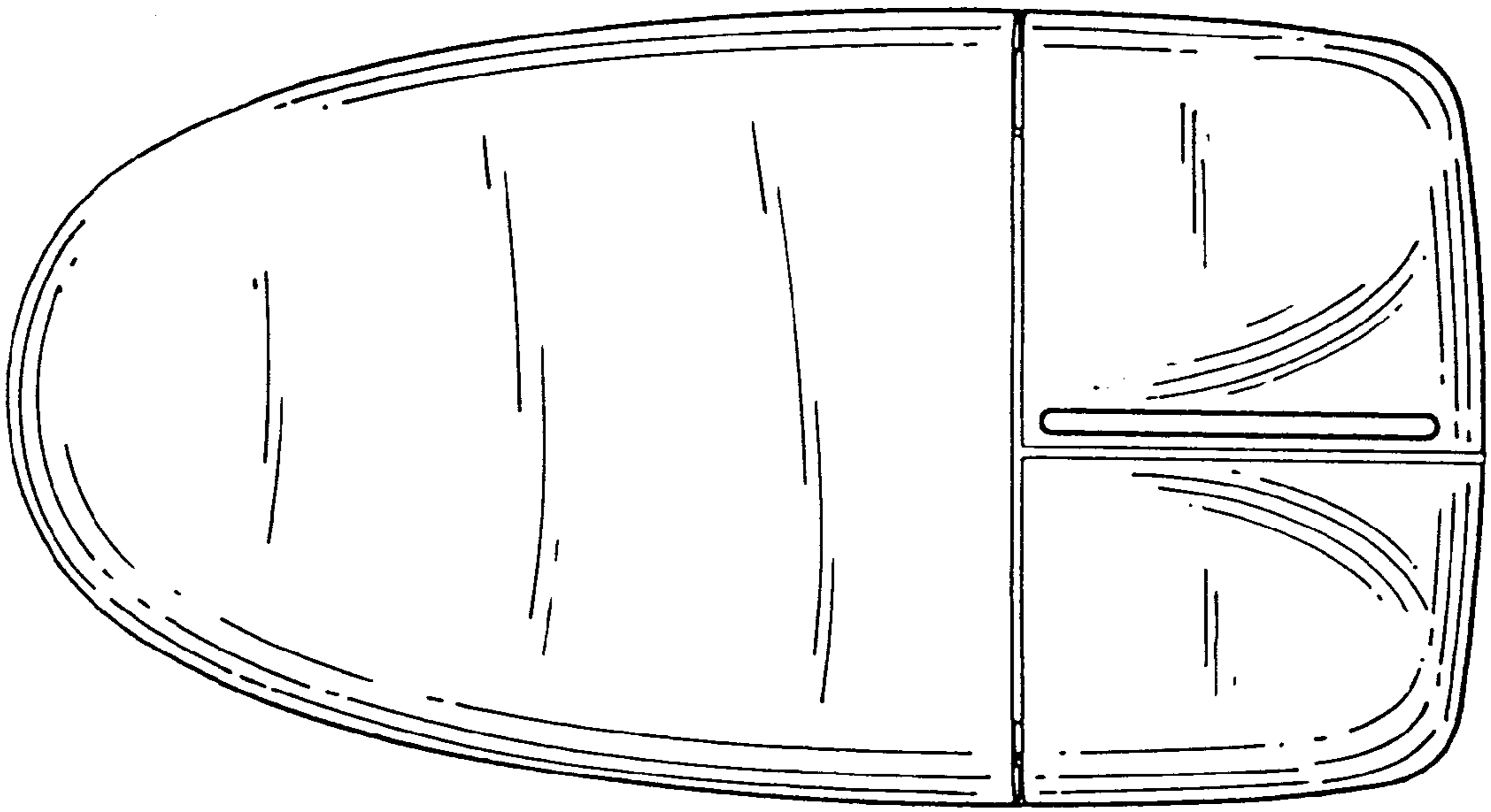


Fig. 6

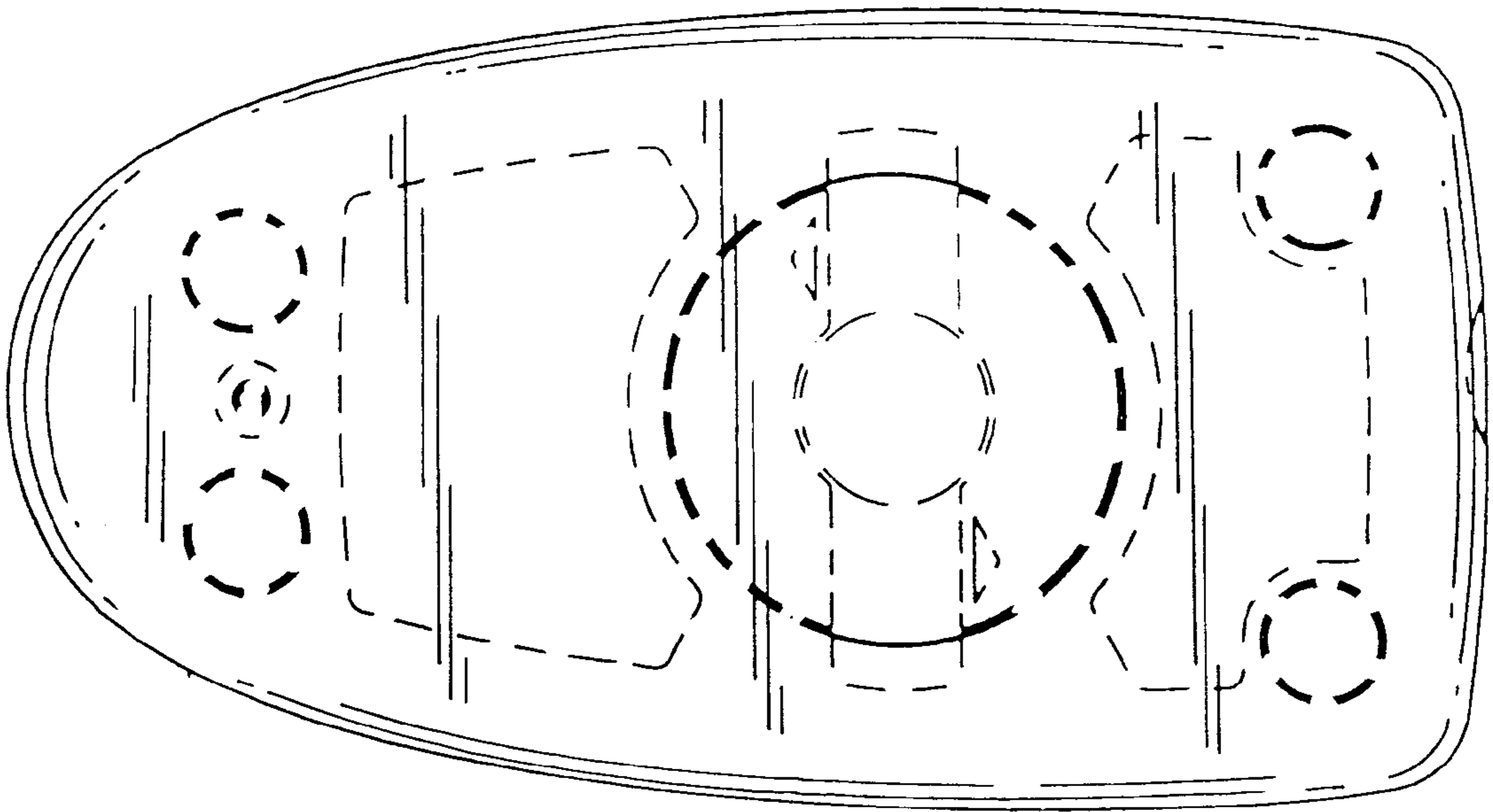


Fig. 7