



US00D412894S

# United States Patent [19]

Little et al.

[11] **Patent Number: Des. 412,894**

[45] **Date of Patent: \*\* Aug. 17, 1999**

[54] **KEYBOARD SUPPORT**

[75] Inventors: **Carl H. Little**, Jamestown, N.Y.;  
**Michael G. Wisniewski**, North East,  
Pa.; **Donald R. Pangborn**; **James R.**  
**Caronia**, both of Jamestown, N.Y.;  
**Peter J. Kerl**, Angola, N.Y.

[73] Assignee: **Weber Knapp Company**, Jamestown,  
N.Y.

[\*\*] Term: **14 Years**

[21] Appl. No.: **29/091,599**

[22] Filed: **Aug. 3, 1998**

[51] **LOC (6) Cl.** ..... **14-02**

[52] **U.S. Cl.** ..... **D14/114**

[58] **Field of Search** ..... D14/100, 114,  
D14/115; D6/474, 461, 467, 509-511; 248/284.1,  
286.1, 918; 108/6, 138, 140, 143; 211/153;  
D13/147

[56] **References Cited**

**U.S. PATENT DOCUMENTS**

D. 394,172 5/1998 Kubo et al. .... D6/474

D. 395,640 6/1998 Goodman et al. .... D14/114  
D. 396,708 8/1998 Kirchhoff et al. .... D14/114  
5,341,929 8/1994 Stefancin, Jr. .... 206/320  
5,839,373 11/1998 Lin ..... 108/140

*Primary Examiner*—Kay H. Chin  
*Attorney, Agent, or Firm*—Phillips, Lytle, Hitchcock, Blaine  
& Huber LLP

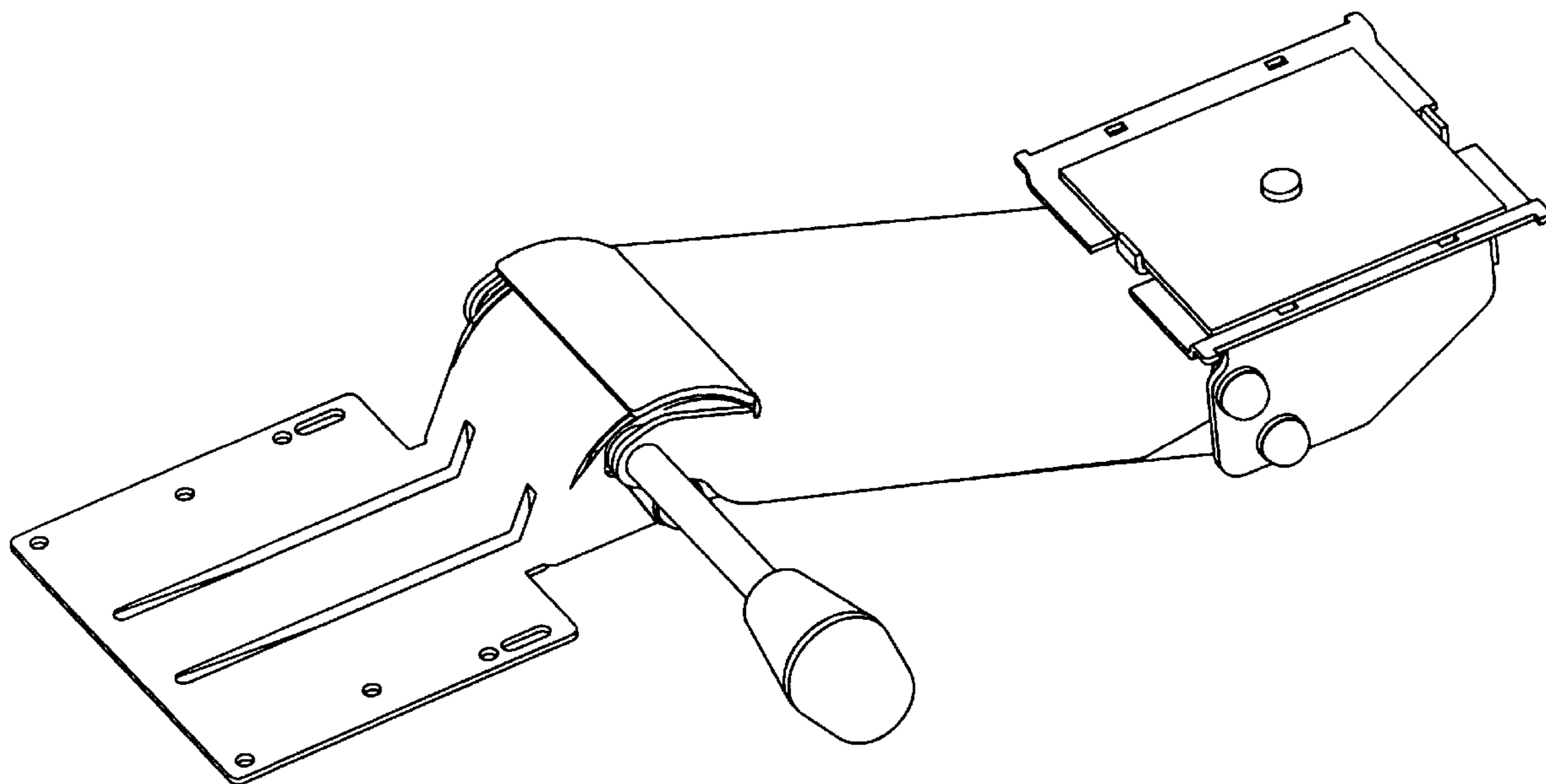
[57] **CLAIM**

We claim the ornamental design for a keyboard support, as shown.

**DESCRIPTION**

FIG. 1 is a right front perspective view of the improved keyboard support.  
FIG. 2 is a top plan view thereof.  
FIG. 3 is a right side elevation view thereof.  
FIG. 4 is a left side elevation view thereof.  
FIG. 5 is a bottom plan view thereof.  
FIG. 6 is a front elevation view thereof; and,  
FIG. 7 is a rear elevation view thereof.

**1 Claim, 7 Drawing Sheets**



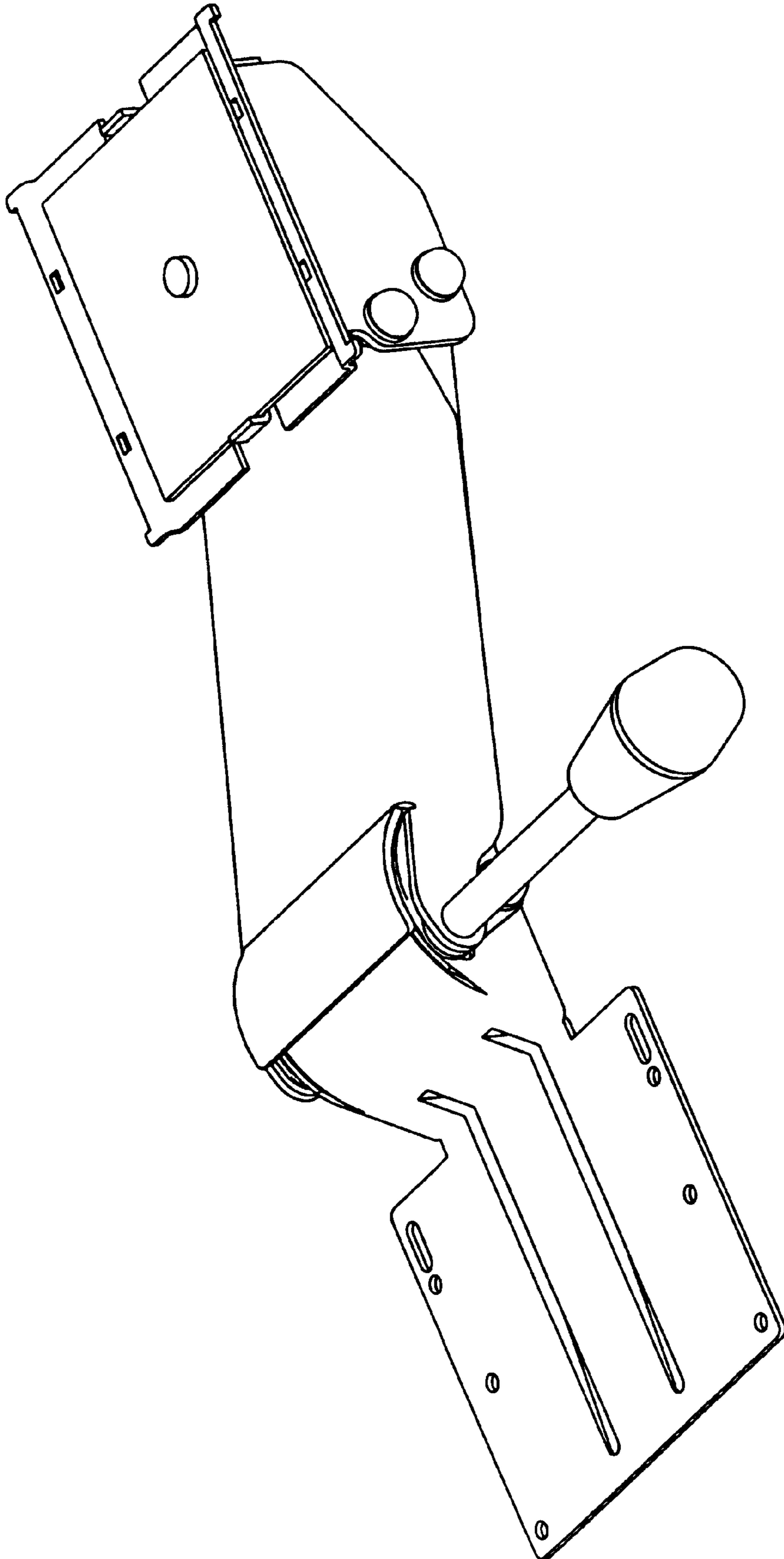


Fig. 1

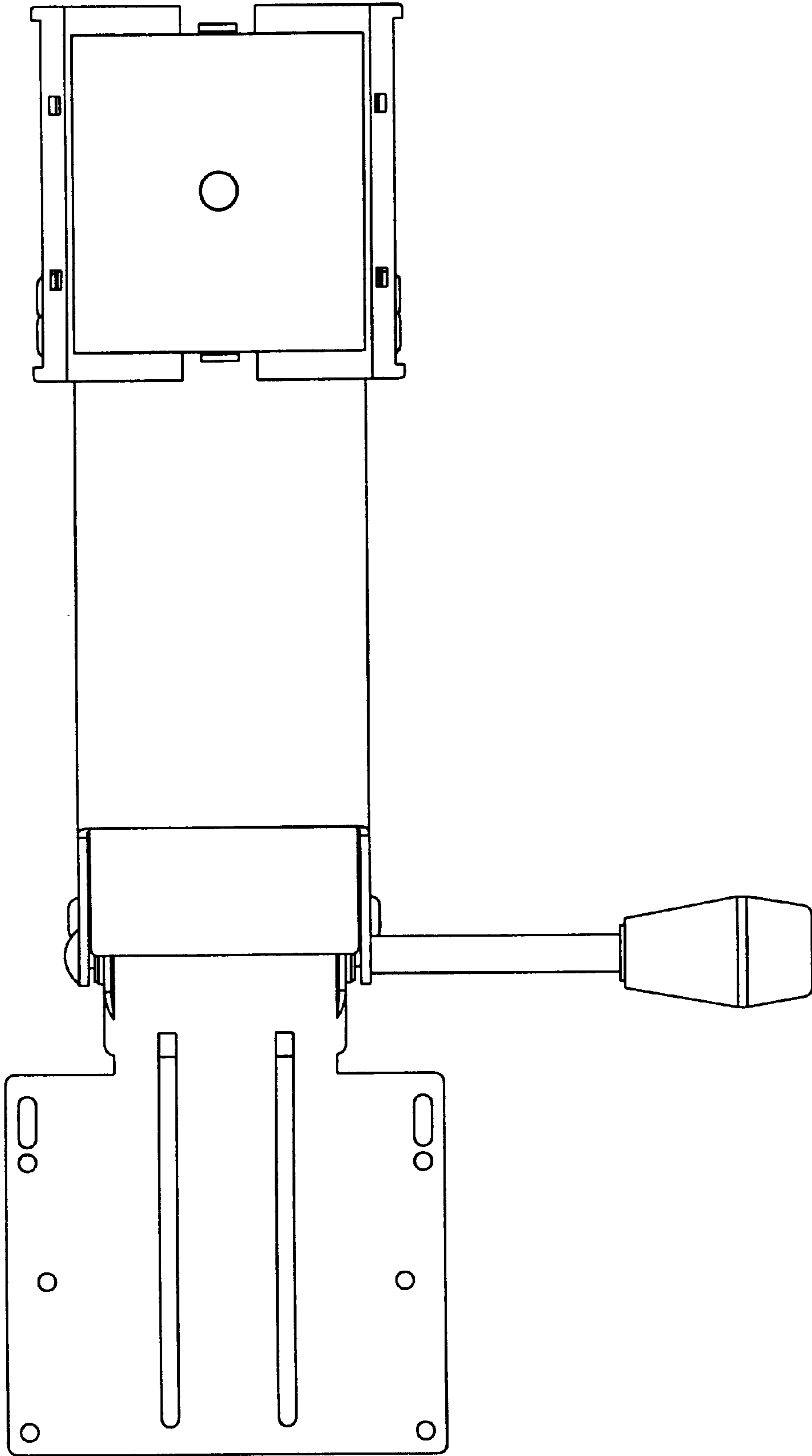


Fig. 2

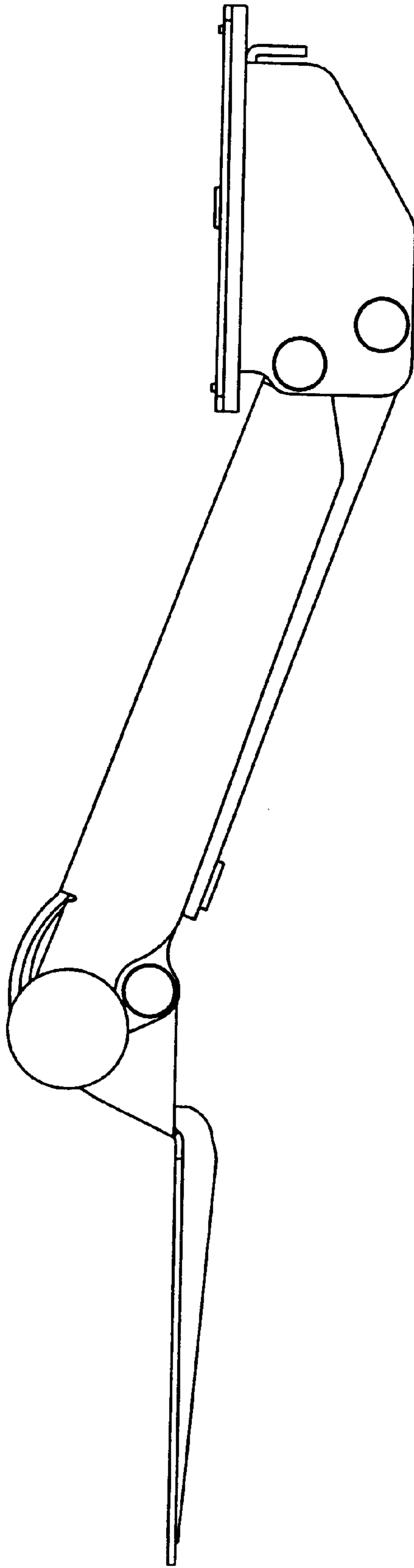


Fig. 3

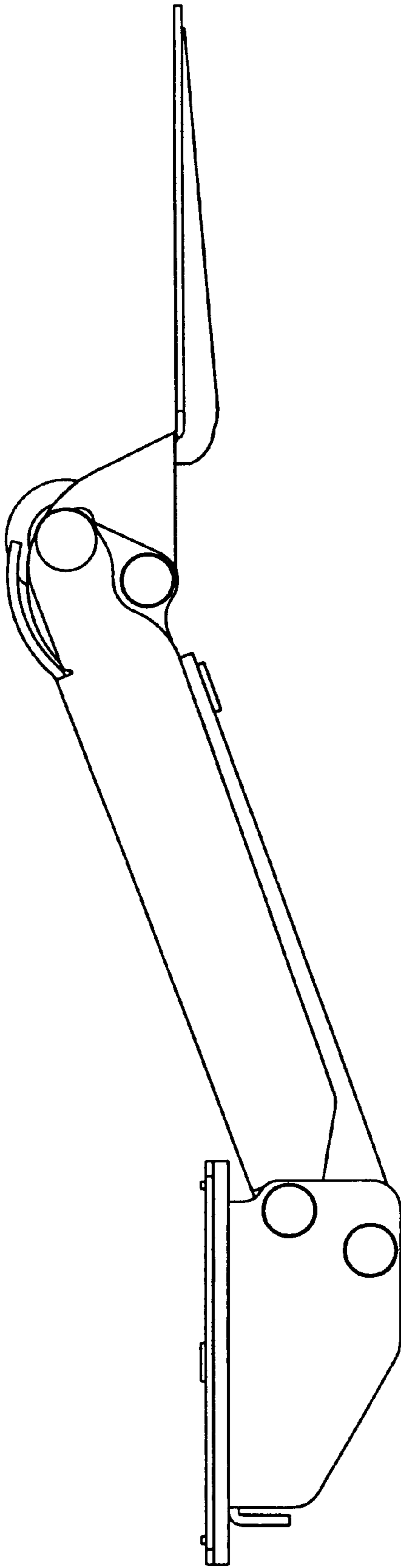


Fig. 4

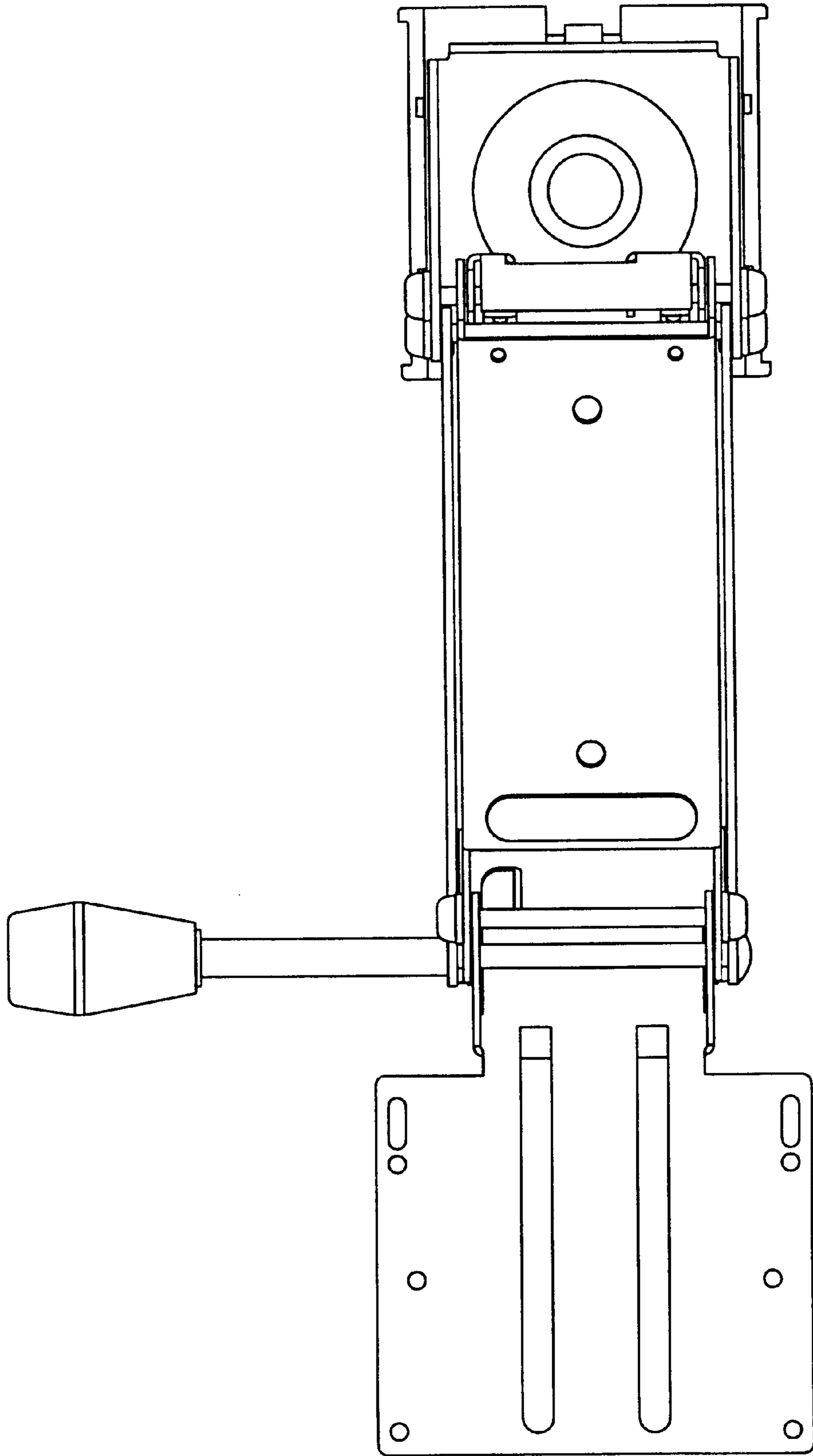


Fig. 5

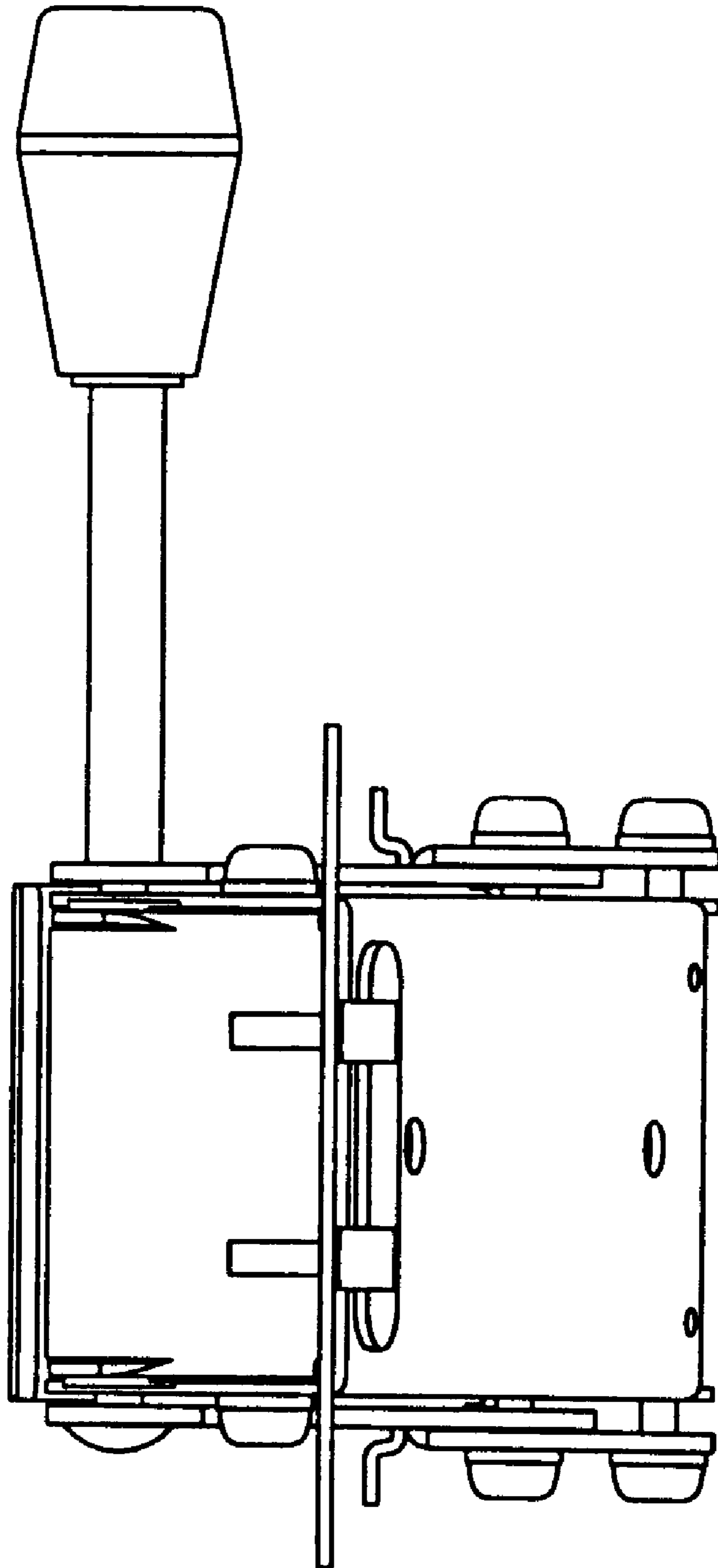


Fig. 6

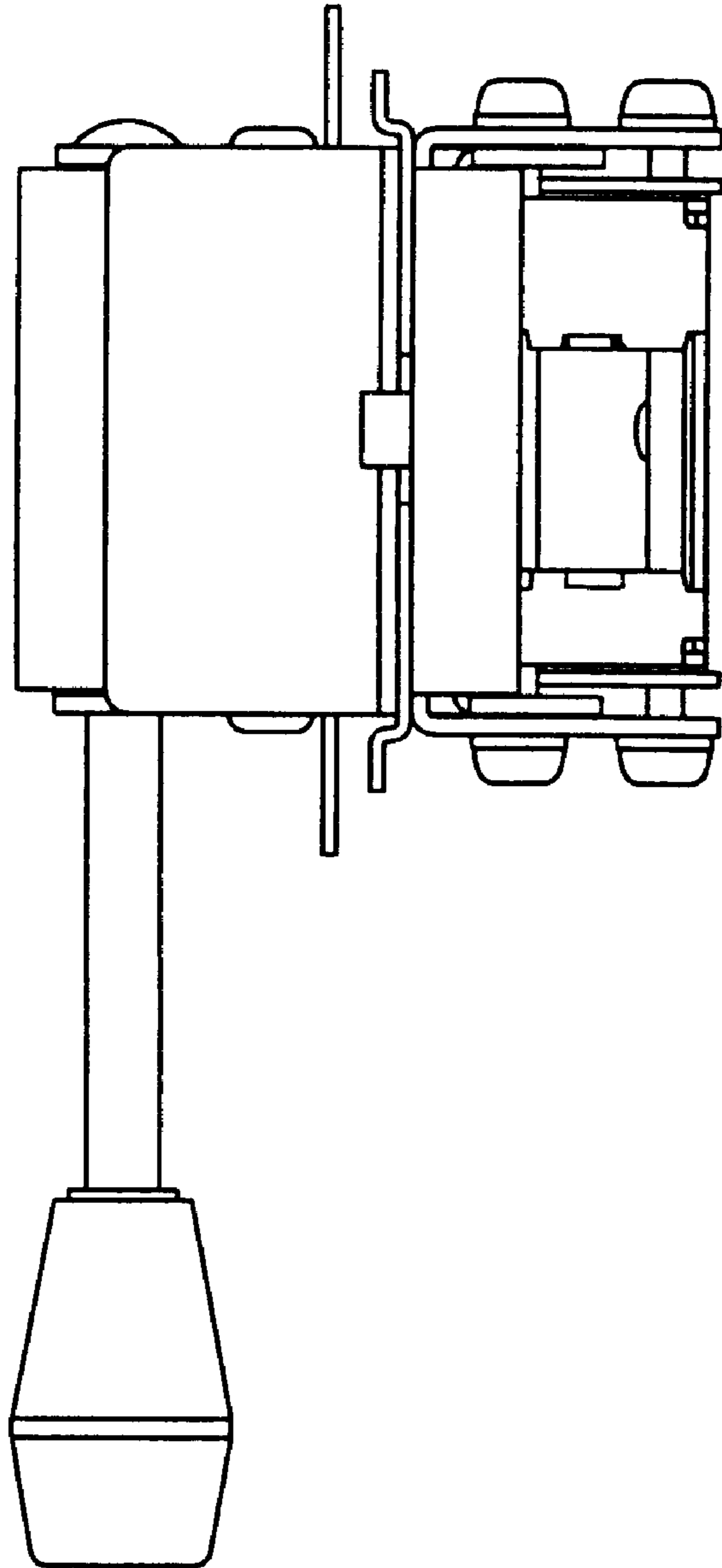


Fig. 7