



US00D412893S

United States Patent [19]
Newman

[11] **Patent Number: Des. 412,893**
[45] **Date of Patent: ** Aug. 17, 1999**

[54] **COMPUTER MIRROR**

[76] Inventor: **Bruce D. Newman**, 55 Nutmeg Dr.,
Carmel, N.Y. 10512

[**] Term: **14 Years**

[21] Appl. No.: **29/089,687**

[22] Filed: **Jun. 19, 1998**

[51] **LOC (6) Cl.** **14-02**

[52] **U.S. Cl.** **D14/114; D19/91**

[58] **Field of Search** D14/113, 114;
D19/90, 91, 88, 76; 248/441.1, 442.2, 444.1,
447.1, 917-924; 40/341, 352; 400/718;
D6/419

[56] **References Cited**

U.S. PATENT DOCUMENTS

D. 227,525	7/1973	Skinner et al.	D6/172
D. 316,275	4/1991	Davis et al.	D19/91
D. 345,655	4/1994	Freebairn	D6/312
D. 355,219	2/1995	Jones et al.	D19/88
D. 357,470	4/1995	Bergdoll et al.	D14/114
D. 393,004	3/1998	Foster	D19/91

1,205,625	11/1916	Hawthorne .	
1,275,662	8/1918	Carlsberg .	
1,346,969	7/1920	Newhouse .	
1,606,488	11/1926	Wennerstrom .	
4,144,664	3/1979	De Korte 40/609
4,728,181	3/1988	Kakinuma 350/632
4,802,751	2/1989	Ueng 350/626
5,069,410	12/1991	McKee 248/475.1

Primary Examiner—Kay H. Chin
Attorney, Agent, or Firm—Abelman, Frayne & Schwab

[57] **CLAIM**

I claim the ornamental design for a computer mirror, as shown and described.

DESCRIPTION

FIG. 1 is a perspective view, looking towards the front, down from the top, of my design;
FIG. 2 is a top view thereof, the bottom view being a mirror image;
FIG. 3 is a front view thereof;
FIG. 4 is a left end view thereof;
FIG. 5 is a rear view thereof; and,
FIG. 6 is a right end view thereof.

1 Claim, 2 Drawing Sheets

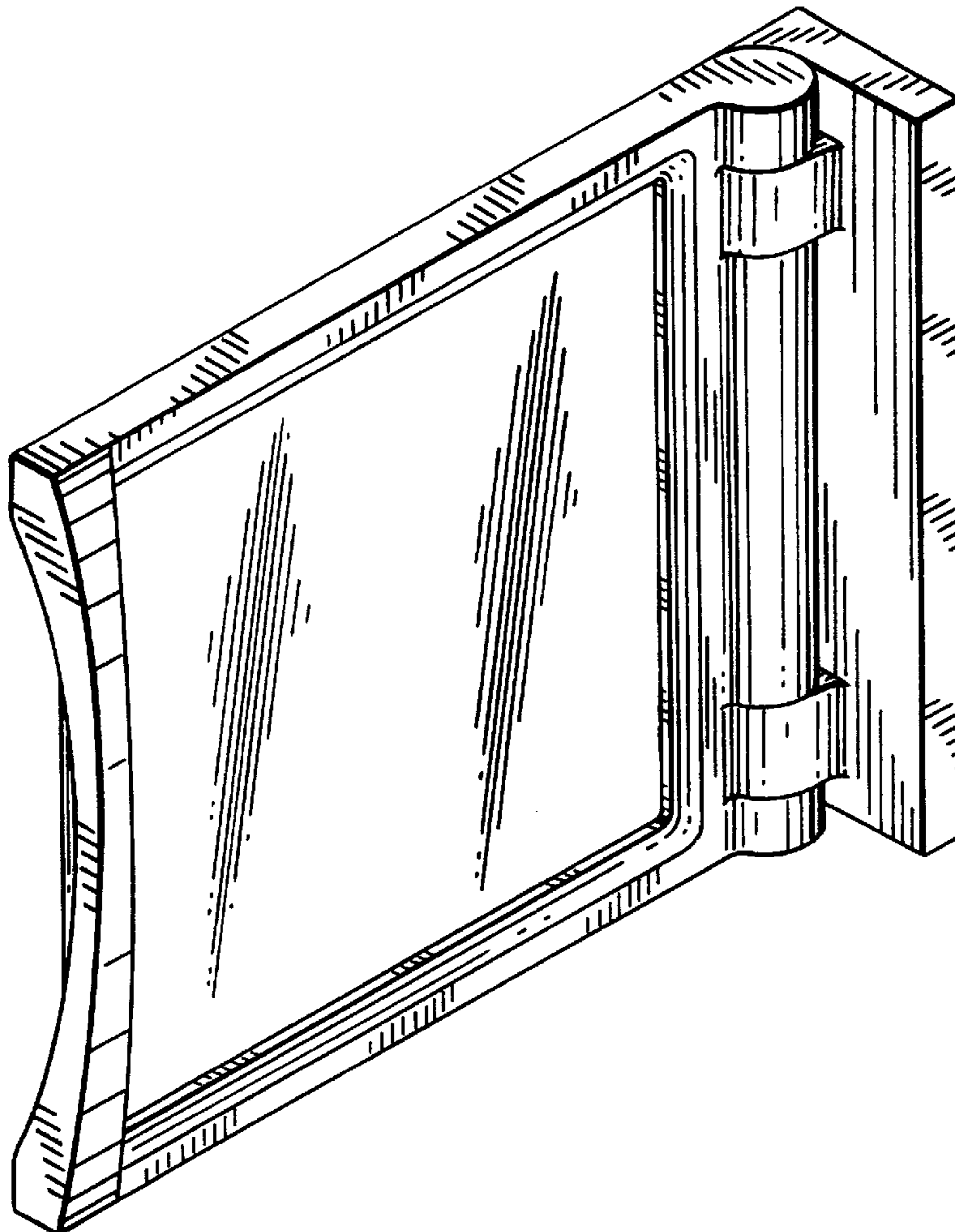


FIG. 1

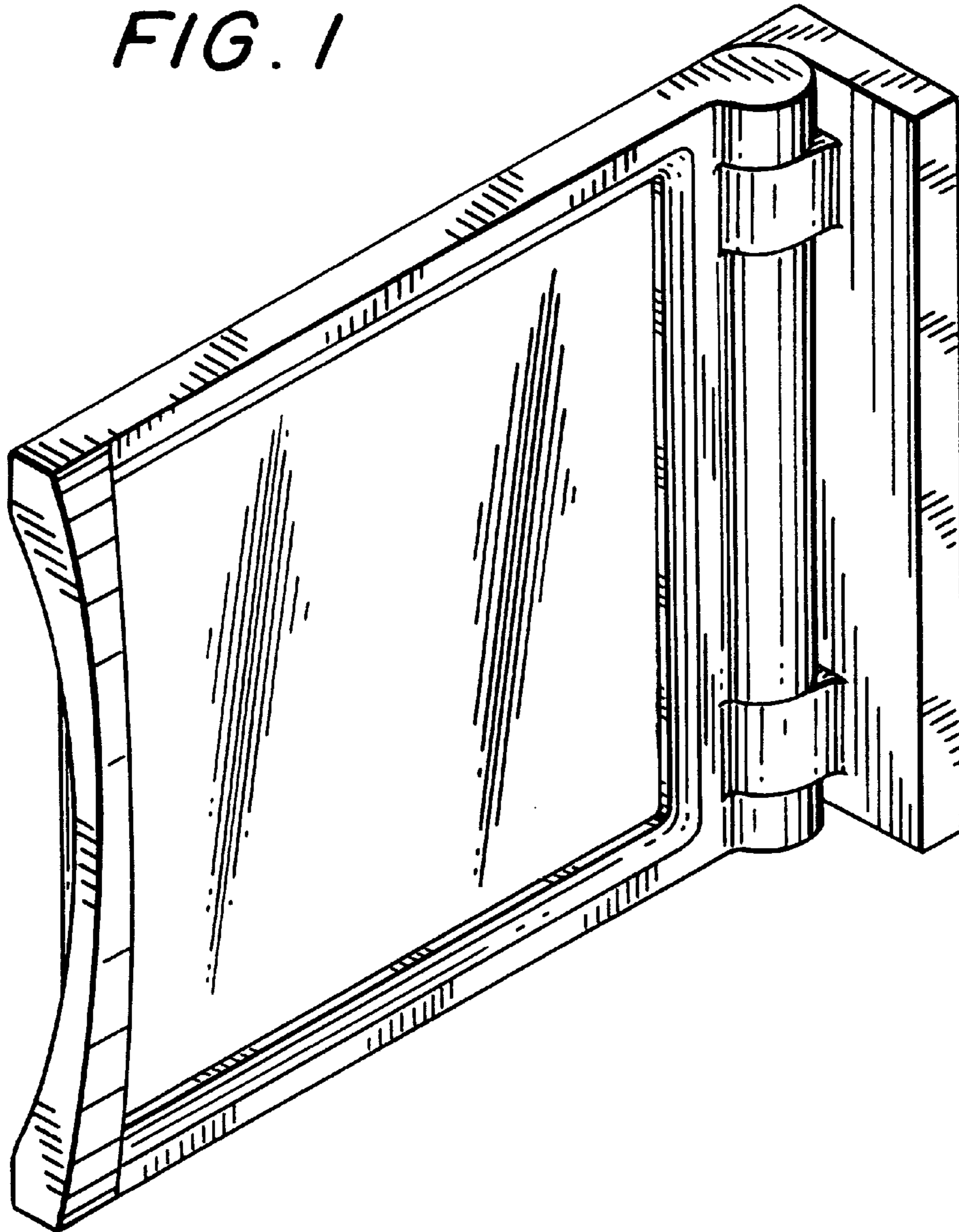


FIG. 2

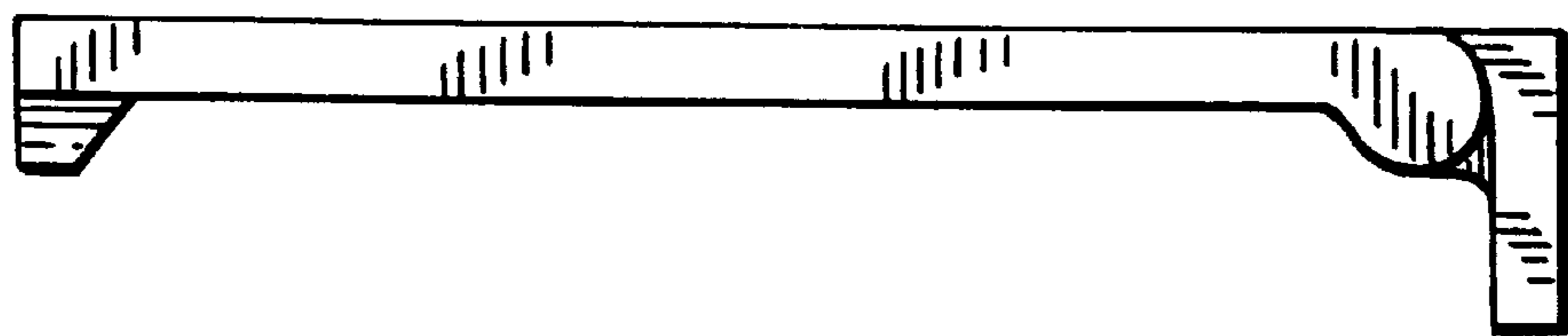


FIG. 3

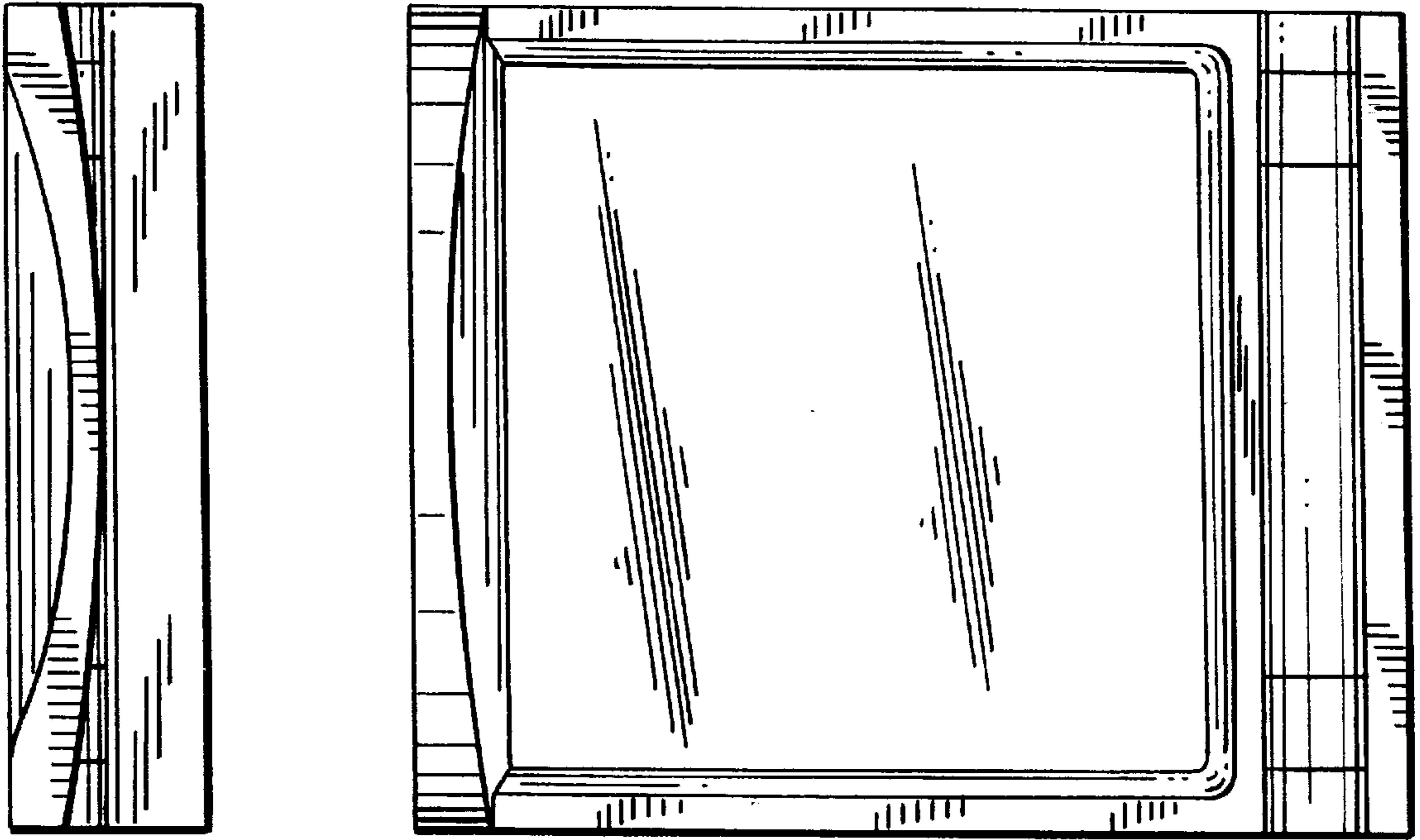


FIG. 4

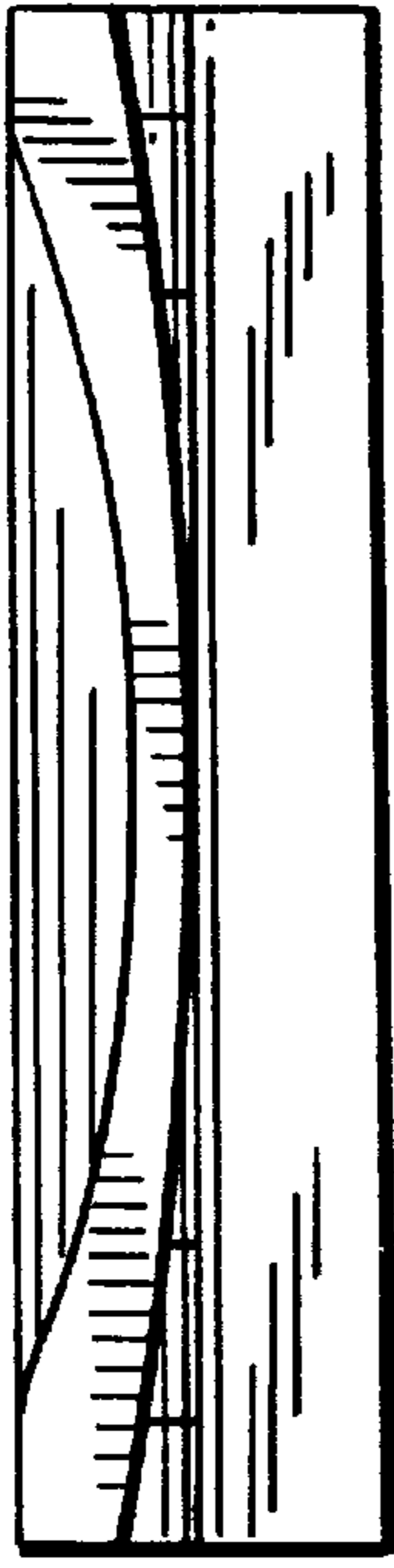


FIG. 5

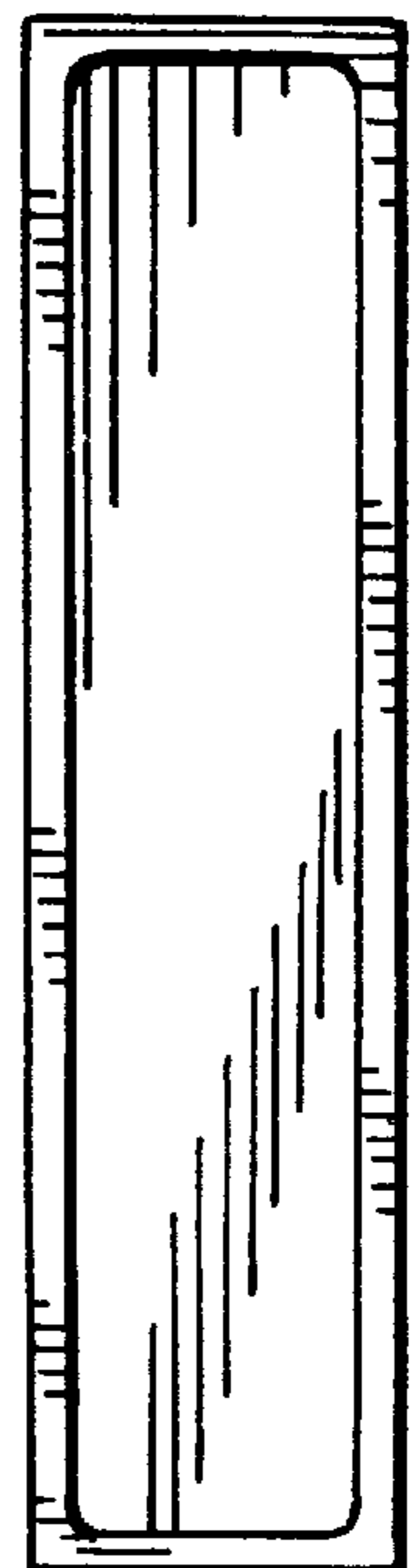
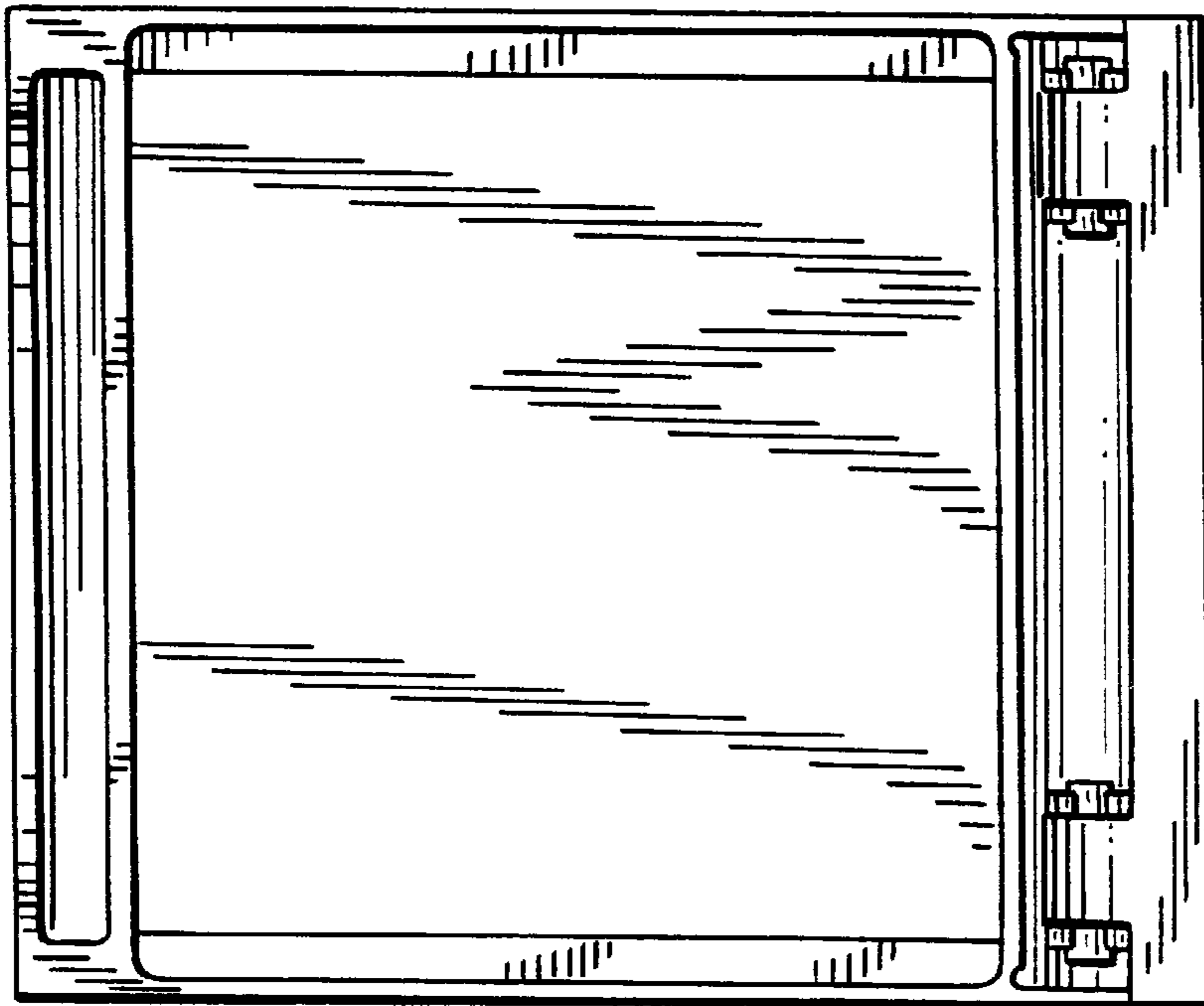


FIG. 6