



US00D412891S

# United States Patent [19] Sumii

[11] **Patent Number: Des. 412,891**

[45] **Date of Patent: \*\* Aug. 17, 1999**

[54] **MONITOR**

[75] Inventor: **Tetsu Sumii**, Tokyo, Japan

[73] Assignee: **Sony Corporation**, Tokyo, Japan

[\*\*] Term: **14 Years**

[21] Appl. No.: **29/083,618**

[22] Filed: **Feb. 13, 1998**

[51] **LOC (6) Cl.** ..... **14-02**

[52] **U.S. Cl.** ..... **D14/113; D14/126**

[58] **Field of Search** ..... D14/100, 106,  
D14/113, 101, 124-129; 248/918-924;  
345/104, 133, 156, 168, 87, 173, 901-905;  
348/180, 184, 325, 739; 341/12

[56] **References Cited**

**U.S. PATENT DOCUMENTS**

D. 344,933	3/1994	Wiseman et al. ....	D14/113
D. 356,077	3/1995	Harada et al. ....	D14/126
D. 373,579	9/1996	Searby et al. ....	D14/113

**OTHER PUBLICATIONS**

Catalog "85", pp. 34, Sony (Mar. 1997).

*Primary Examiner*—Freda Nunn

*Attorney, Agent, or Firm*—Foley & Lardner

[57] **CLAIM**

The ornamental design for a monitor, as shown and described.

**DESCRIPTION**

FIG. 1 is a perspective view of a first embodiment of a monitor showing my new design;

FIG. 2 is a top plan view thereof;

FIG. 3 is a left side elevational view thereof, a right side elevational view thereof being a mirror image;

FIG. 4 is a front elevational view thereof;

FIG. 5 is a bottom plan view thereof;

FIG. 6 is a rear elevational view thereof;

FIG. 7 is a perspective view of a second embodiment of a monitor showing my new design;

FIG. 8 is a top plan view thereof;

FIG. 9 is a left side elevational view thereof;

FIG. 10 is a front elevational view thereof;

FIG. 11 is a bottom plan view thereof;

FIG. 12 is a right side elevational view thereof; and,

FIG. 13 is a rear elevational view thereof.

**1 Claim, 6 Drawing Sheets**

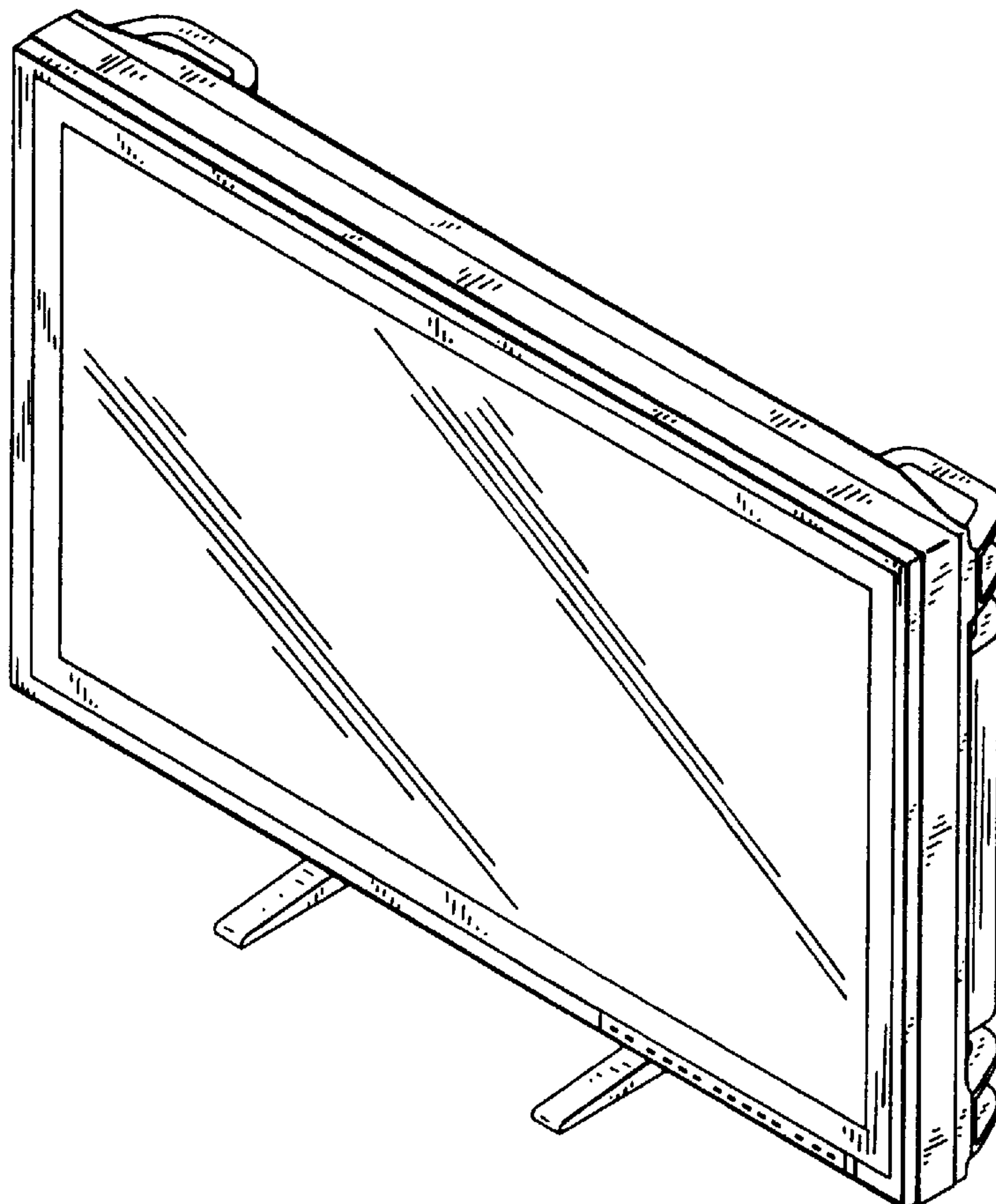
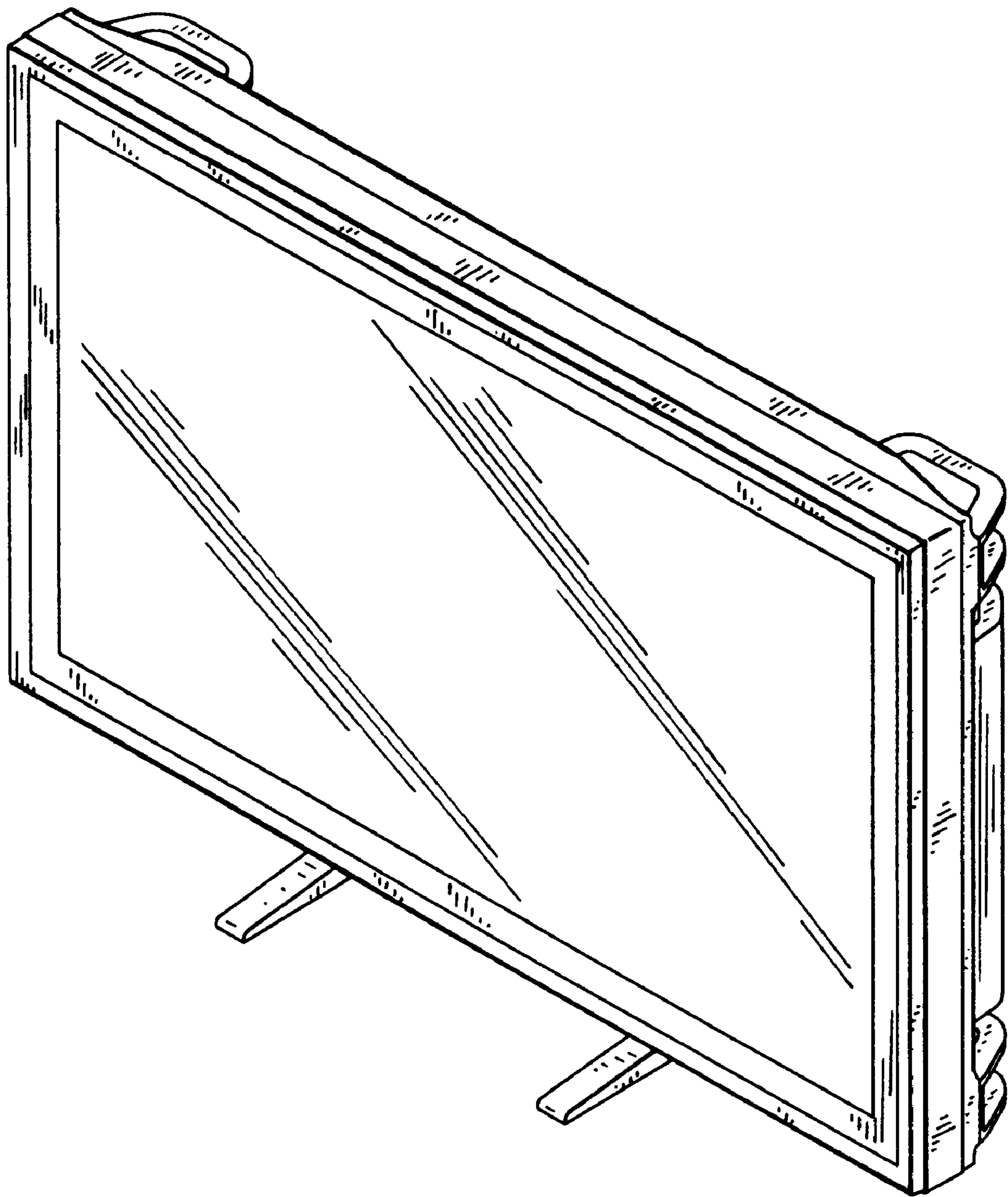


FIG. 1



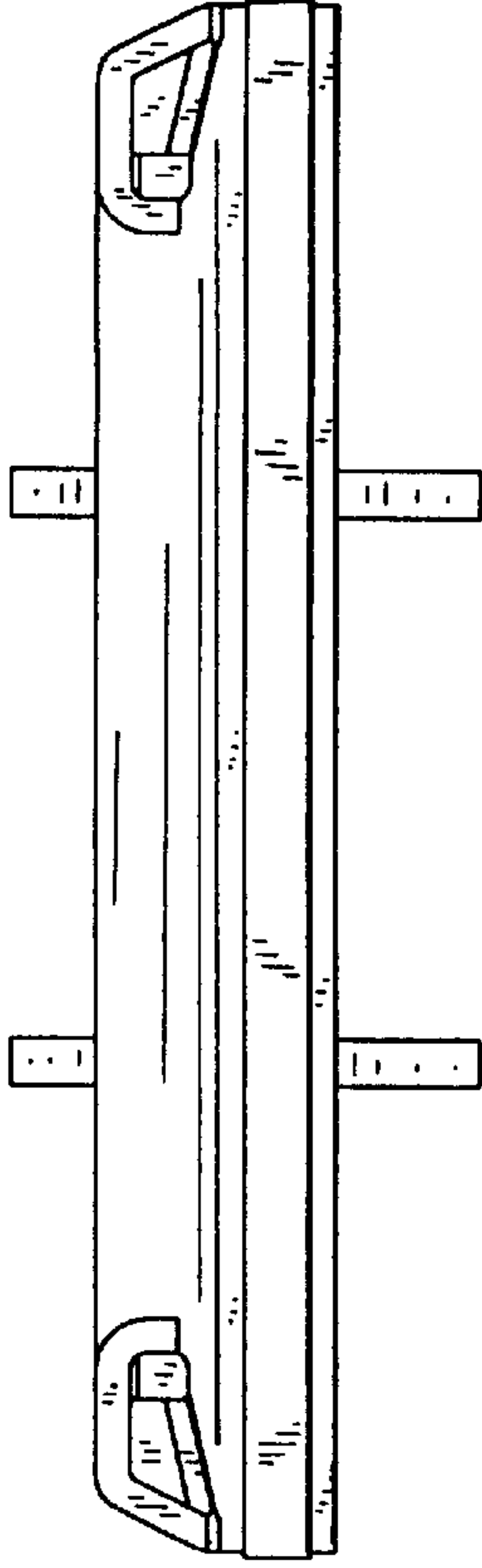


FIG. 2

FIG. 4

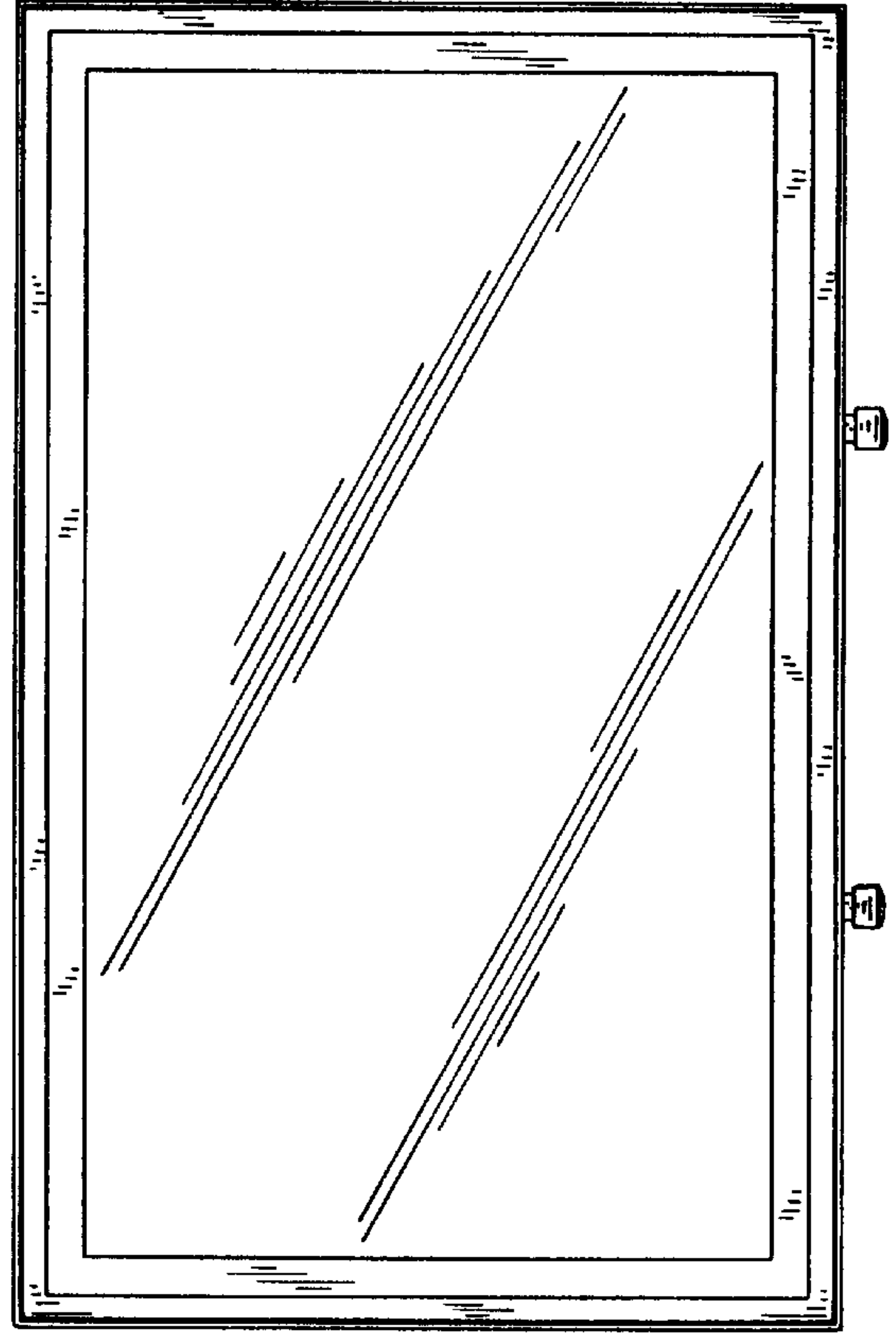


FIG. 3

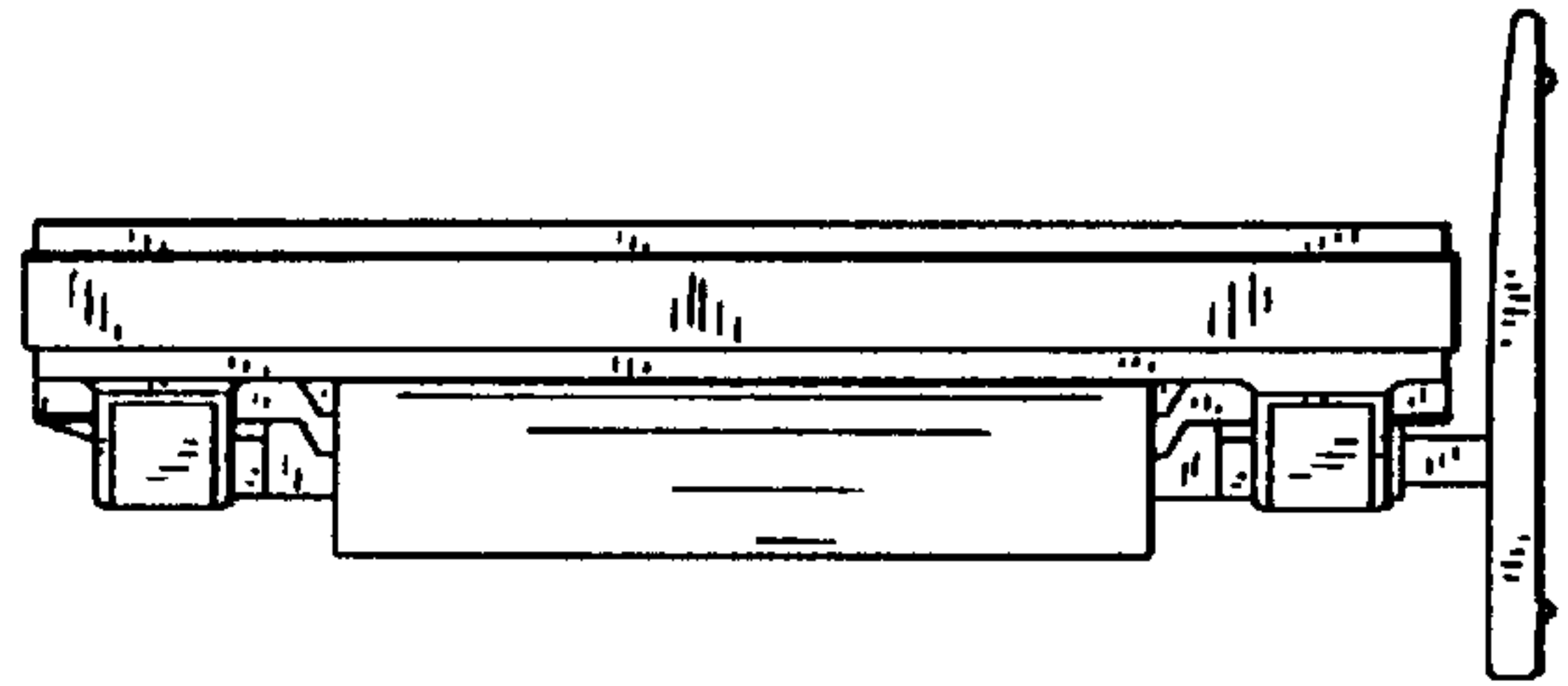


FIG. 5

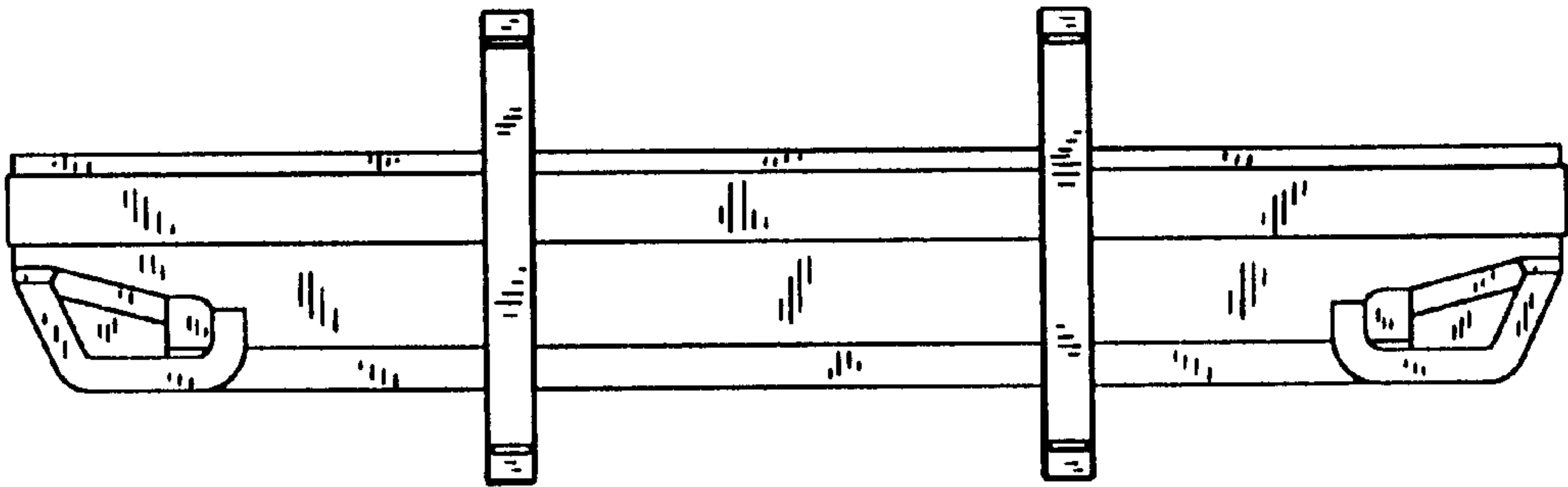


FIG. 6

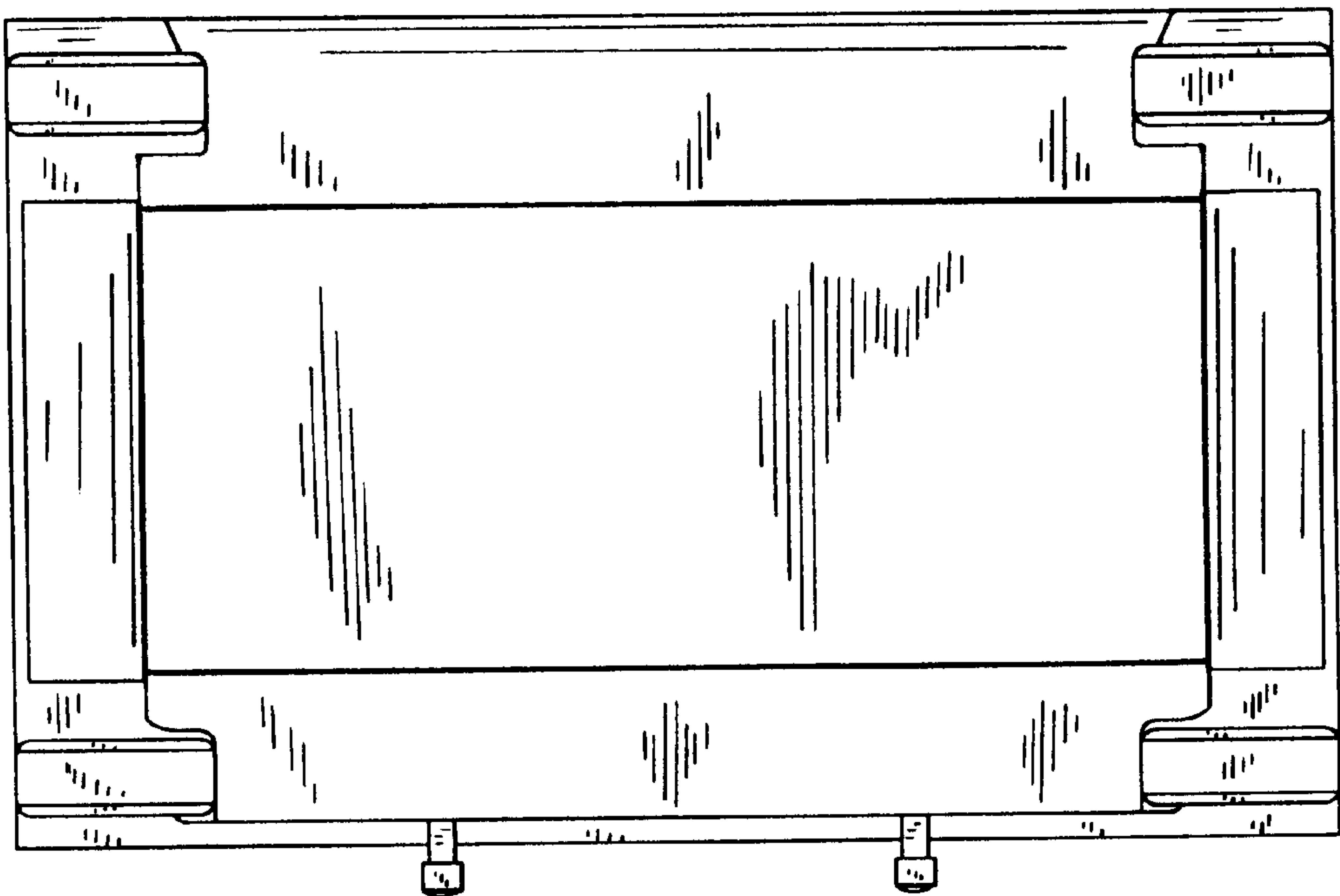




FIG. 7

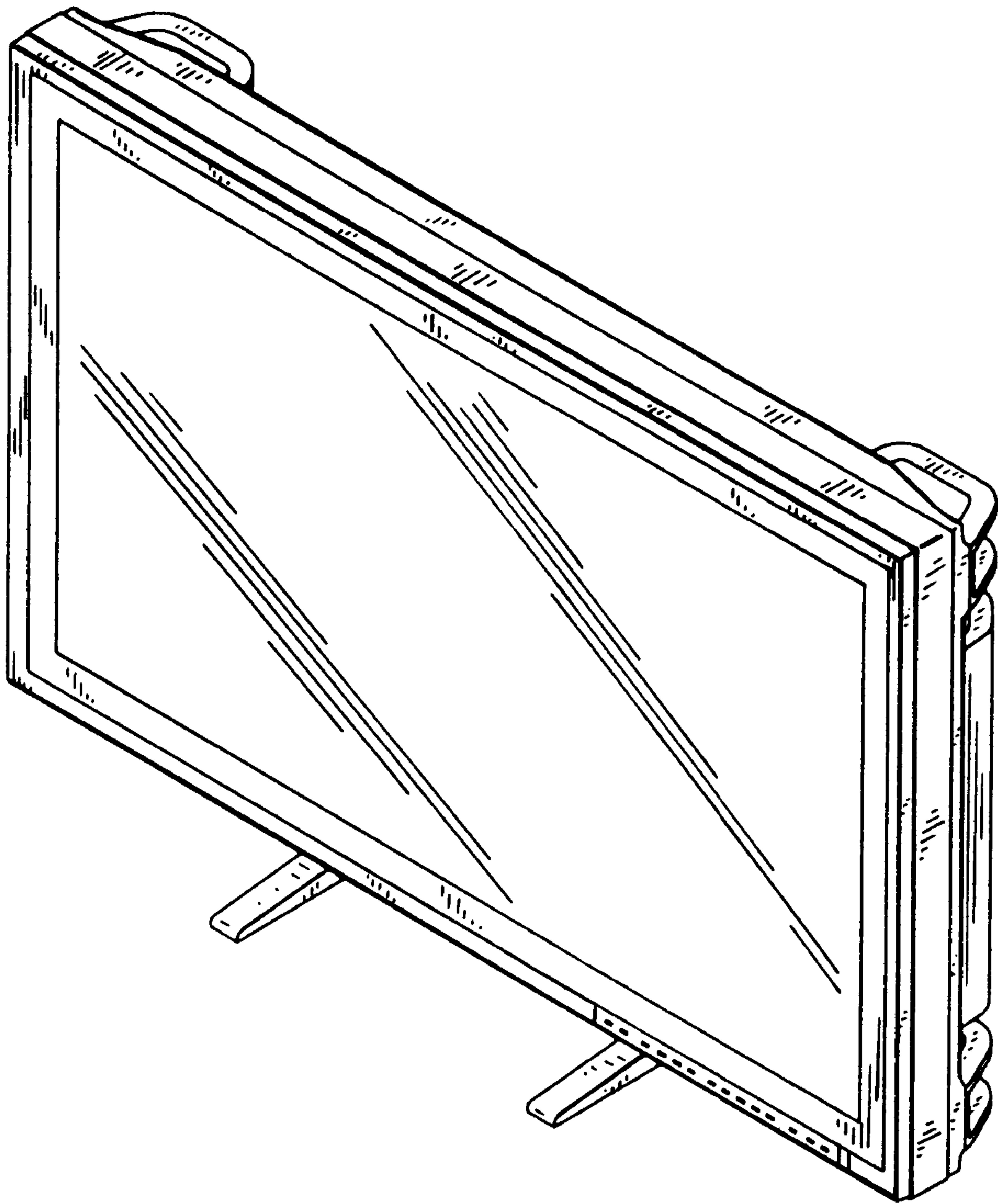


FIG. 8

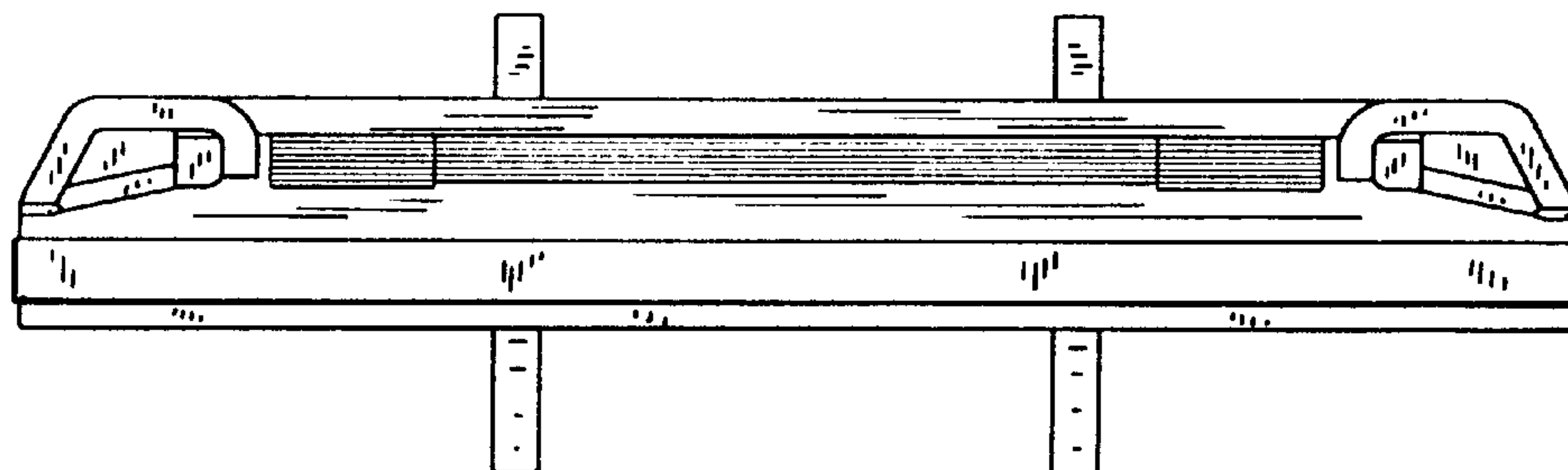


FIG. 11

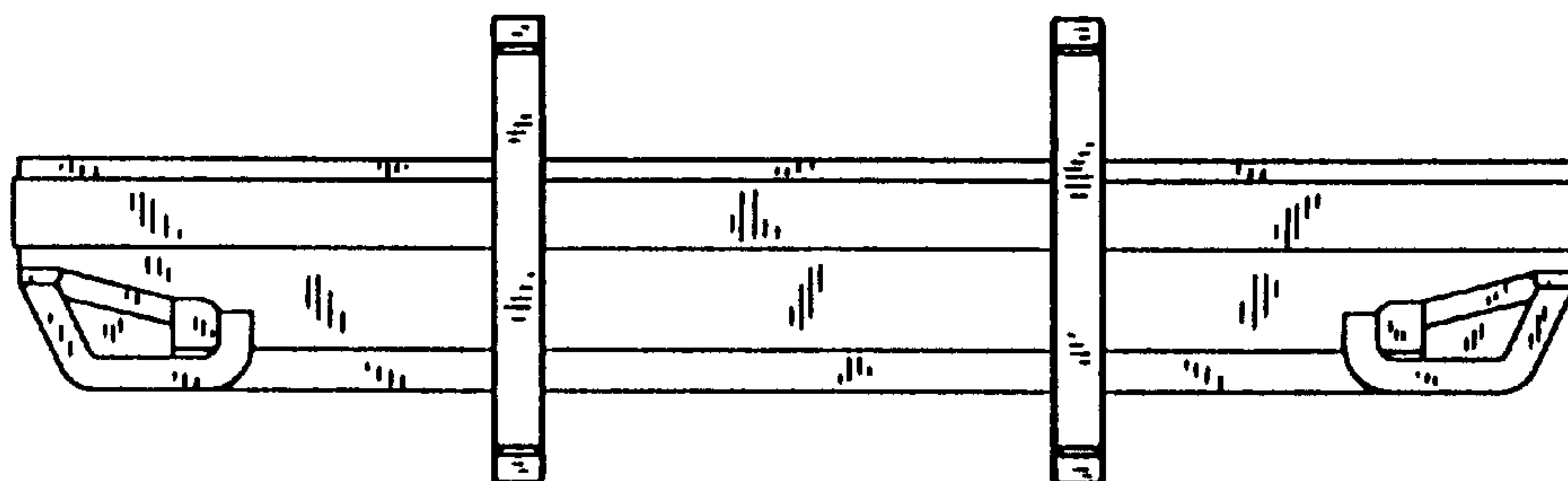


FIG. 13

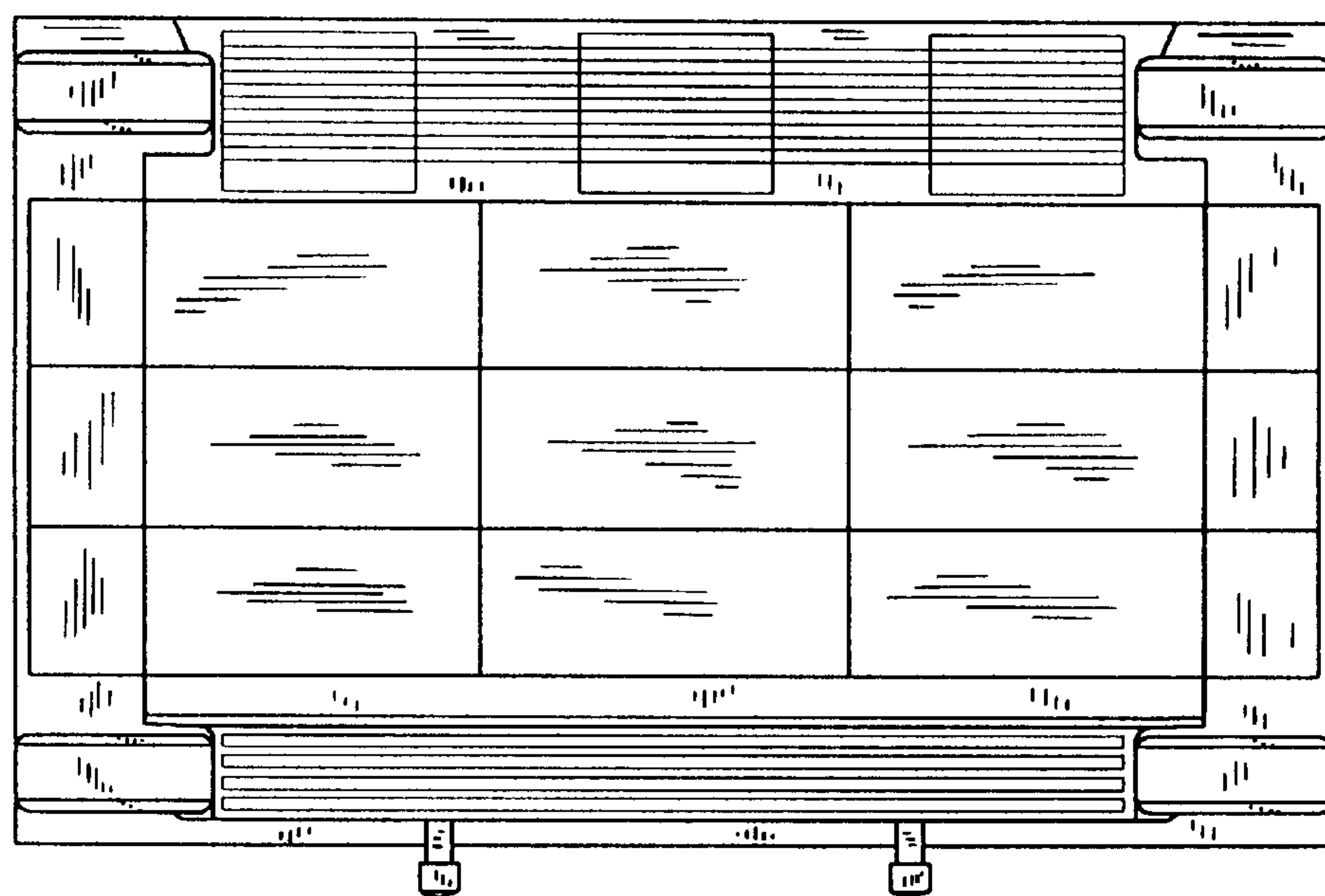


FIG. 9

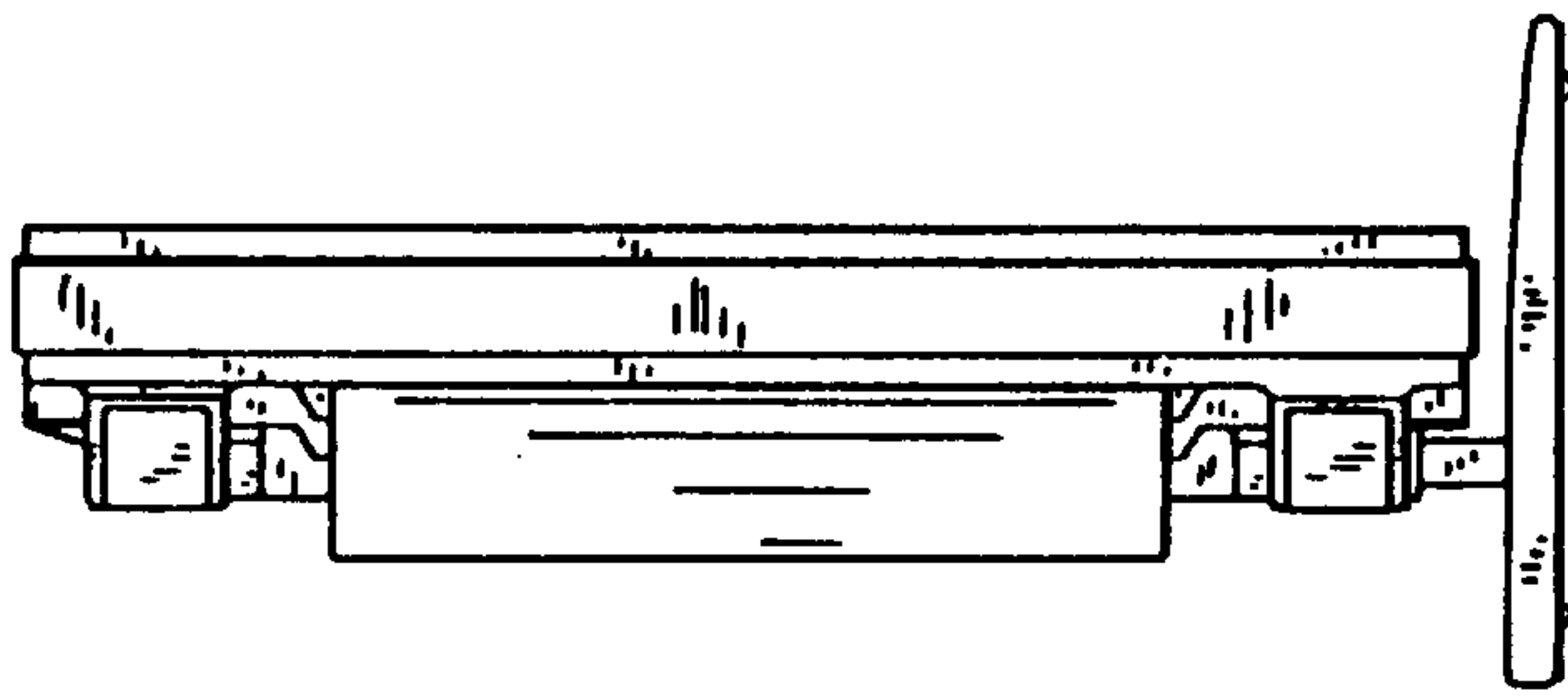


FIG. 10

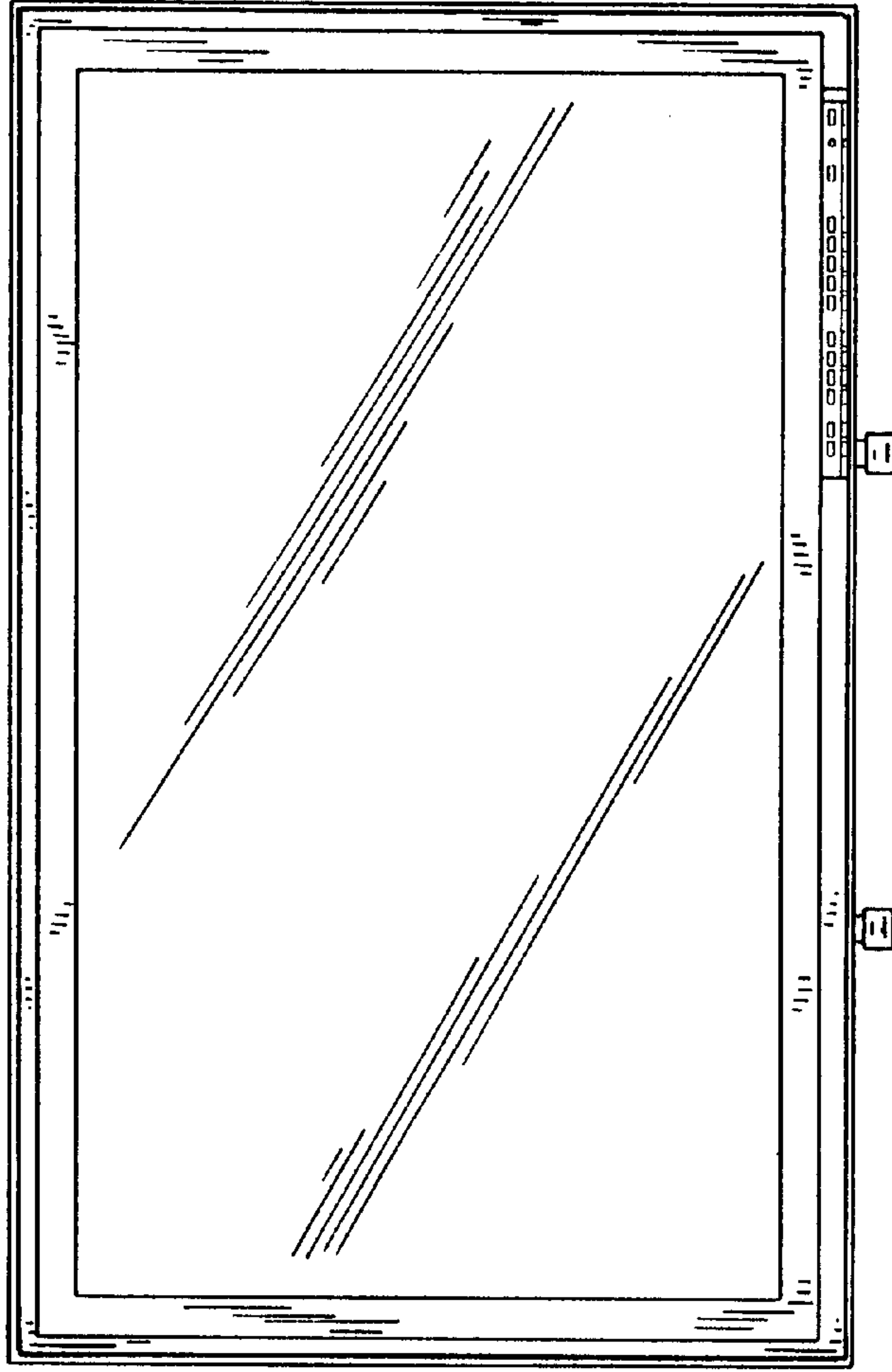


FIG. 12

