



US00D412890S

United States Patent [19] Nesenoff

[11] **Patent Number: Des. 412,890**

[45] **Date of Patent: ** Aug. 17, 1999**

[54] **COMPUTER REPAIR TRAINER**

4,604,064 8/1986 Boehm et al. D19/62 X
5,106,322 4/1992 Cesar 439/377

[76] Inventor: **Mitchell B. Nesenoff**, 24 Village Hill
Dr., Dix Hills, N.Y. 11746

Primary Examiner—Freda Nunn

[**] Term: **14 Years**

[57] **CLAIM**

[21] Appl. No.: **29/080,405**

The ornamental design for a computer repair trainer, as shown and described.

[22] Filed: **Dec. 8, 1997**

DESCRIPTION

[51] **LOC (6) Cl.** **14-02**

FIG. 1 is a right front and top perspective view of a computer repair trainer showing my new design;
FIG. 2 is a left rear and bottom perspective view thereof;
FIG. 3 is a top view thereof;
FIG. 4 is a front elevational view thereof;
FIG. 5 is a right side elevational view thereof;
FIG. 6 is a rear elevational view thereof; and,
FIG. 7 is a left side elevational view thereof;
FIGS. 4-7 are drawn on an enlarged scale.

[52] **U.S. Cl.** **D14/100**; D19/62

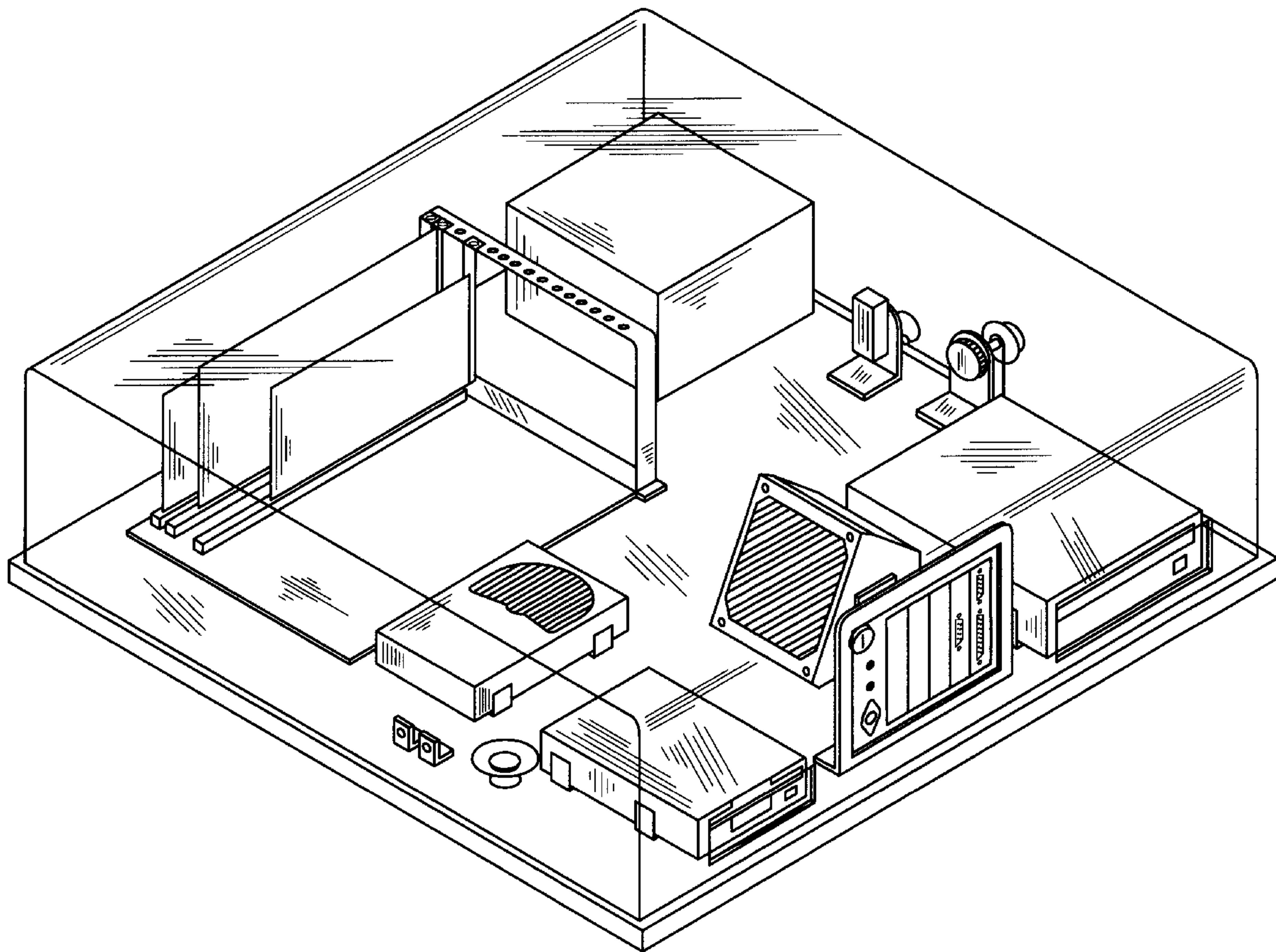
[58] **Field of Search** D14/100, 102,
D14/107-109; D19/59-64; 439/377, 224

[56] **References Cited**

U.S. PATENT DOCUMENTS

- D. 309,754 8/1990 Kagelmann-Holtz et al. D19/59
- D. 322,965 1/1992 Silverstein et al. D14/109
- 3,204,345 9/1965 Buckner D19/64 X

1 Claim, 5 Drawing Sheets



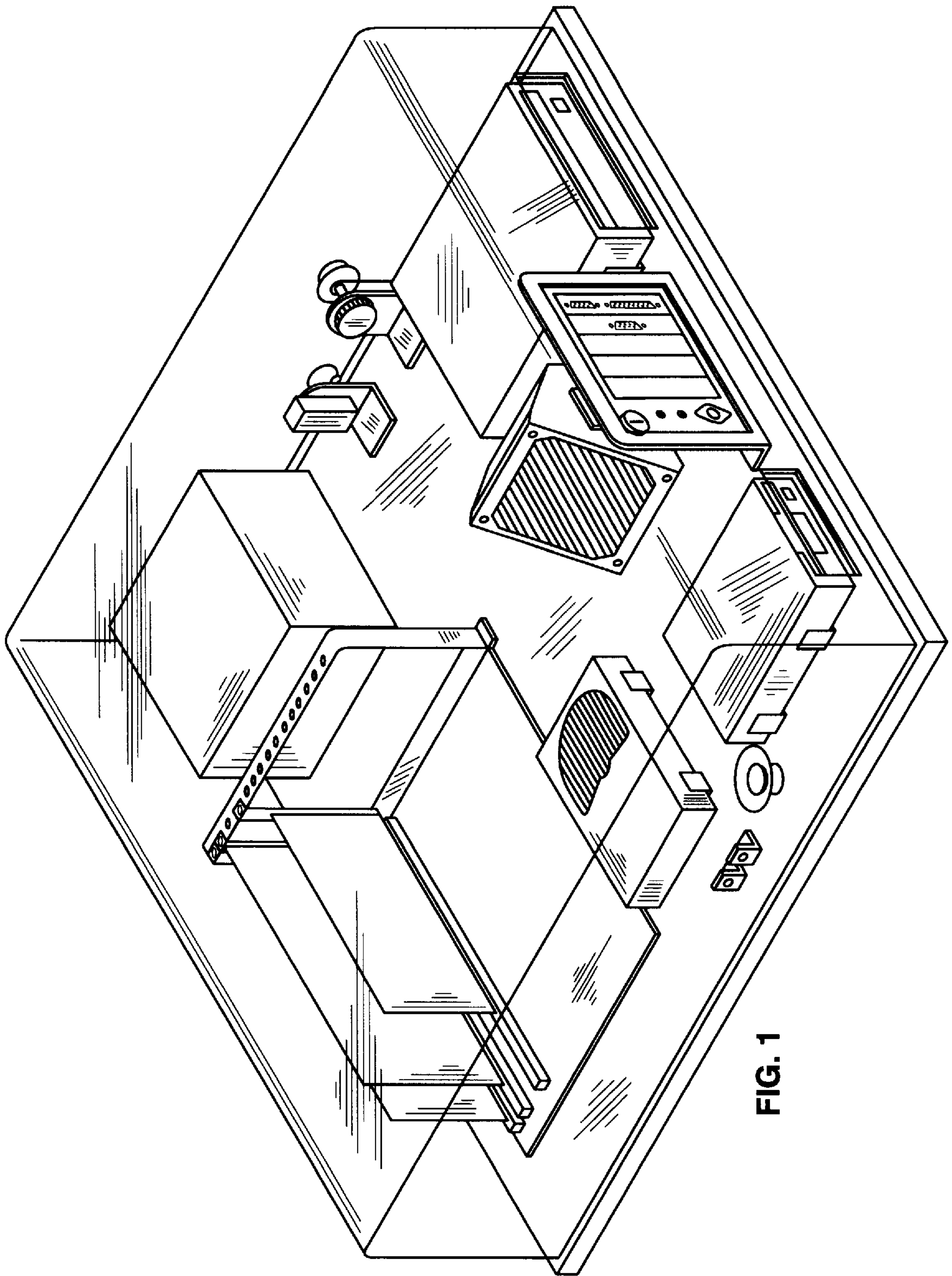


FIG. 1

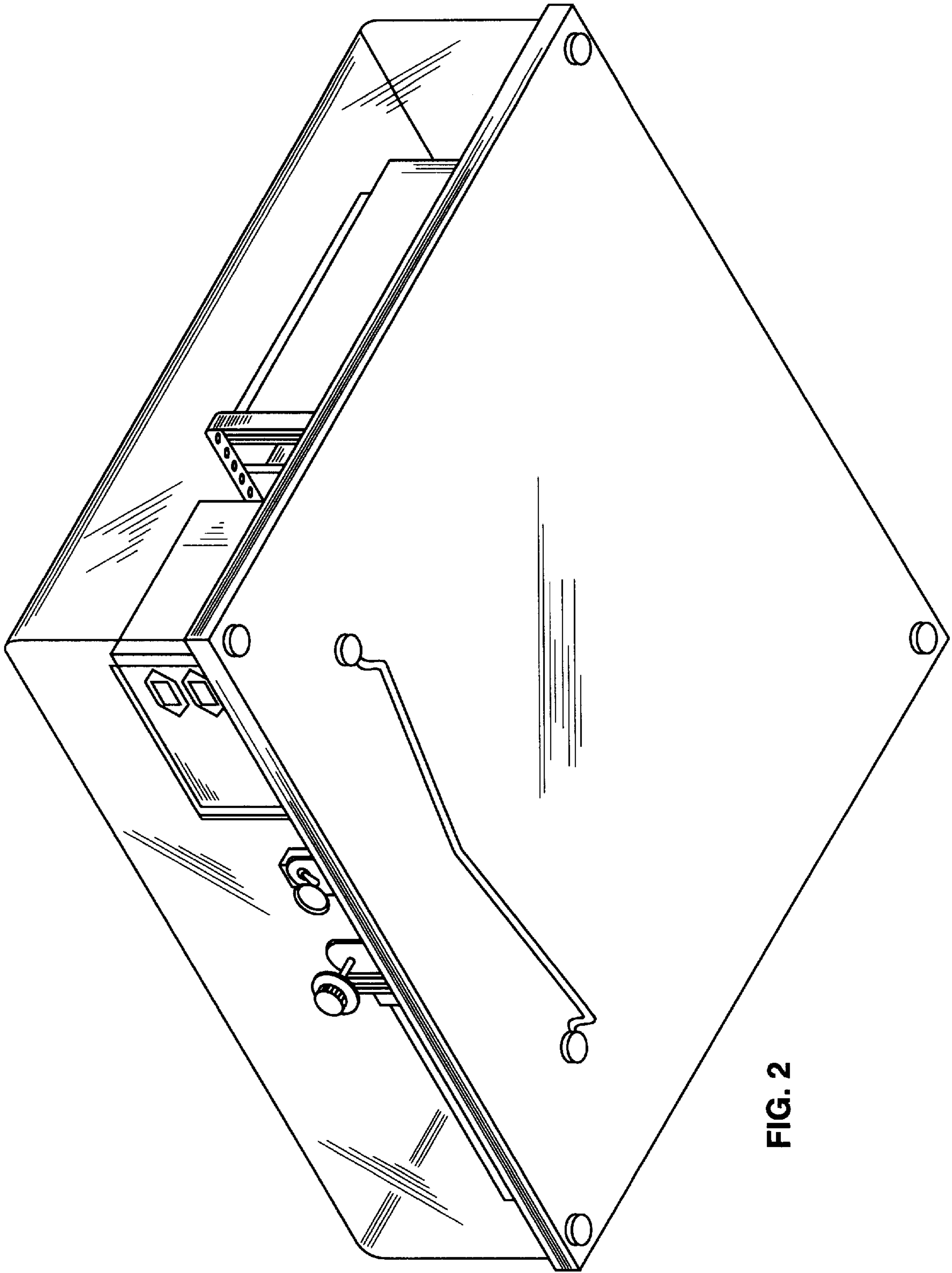


FIG. 2

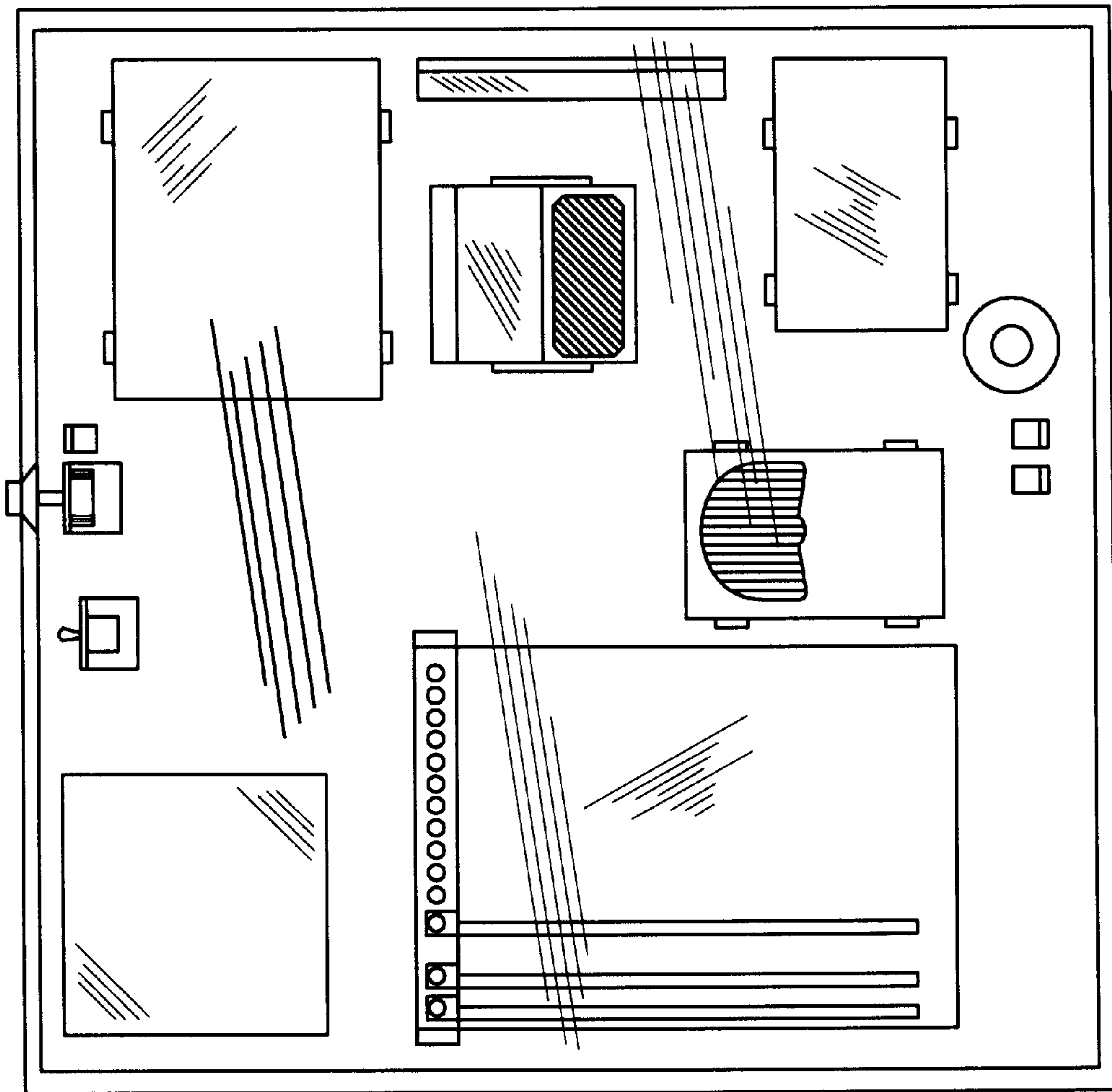


FIG. 3

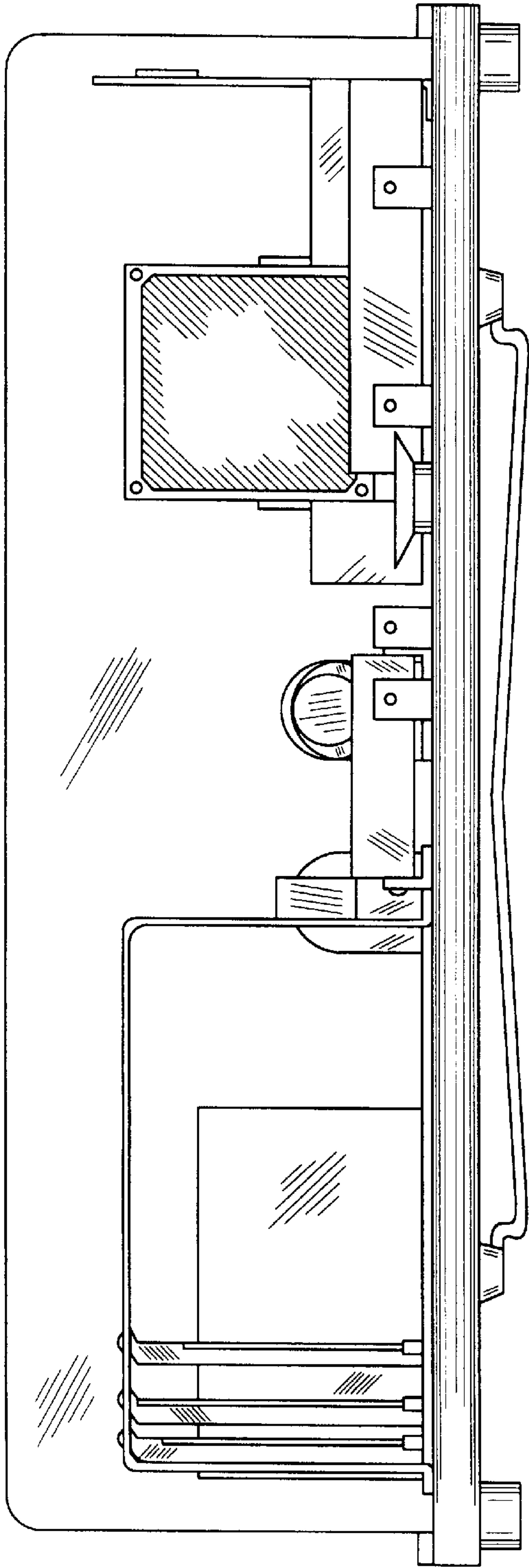


FIG. 4

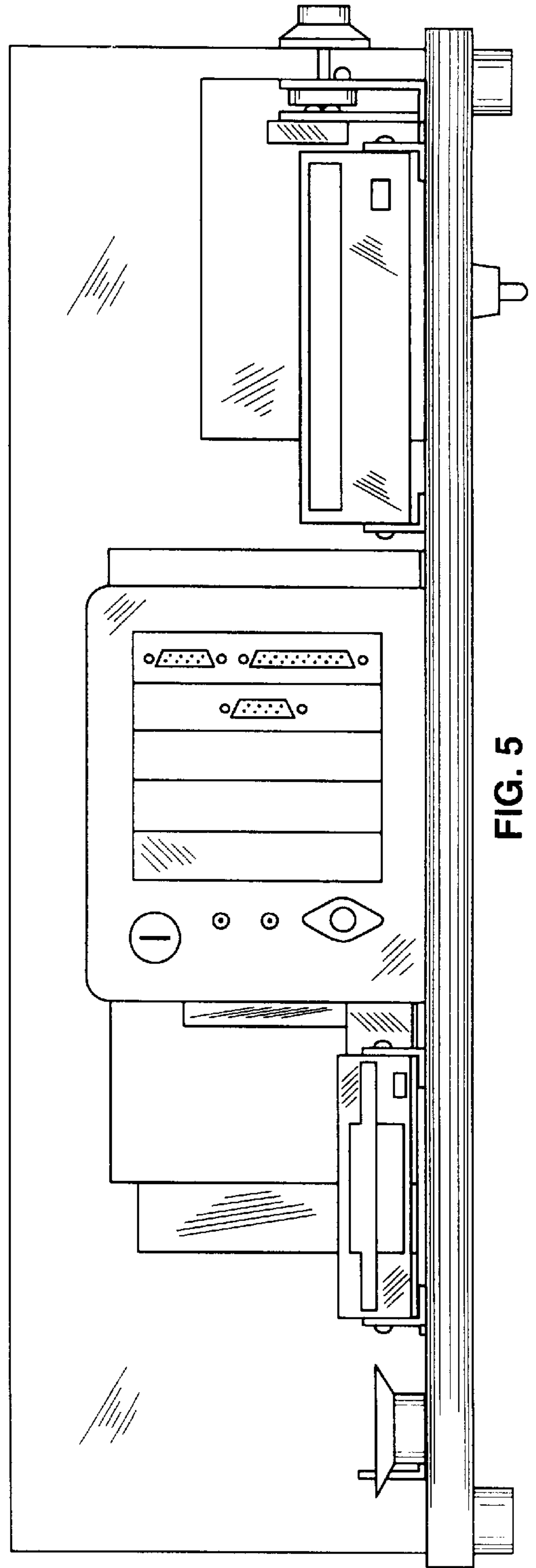


FIG. 5

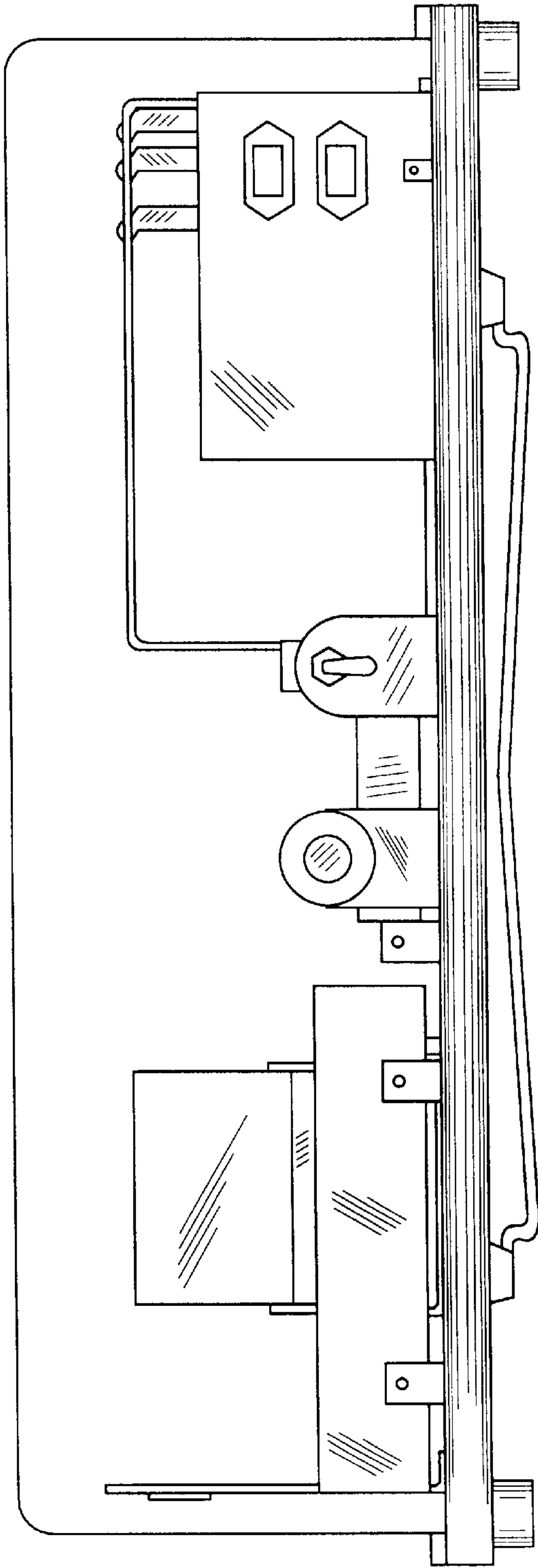


FIG. 6

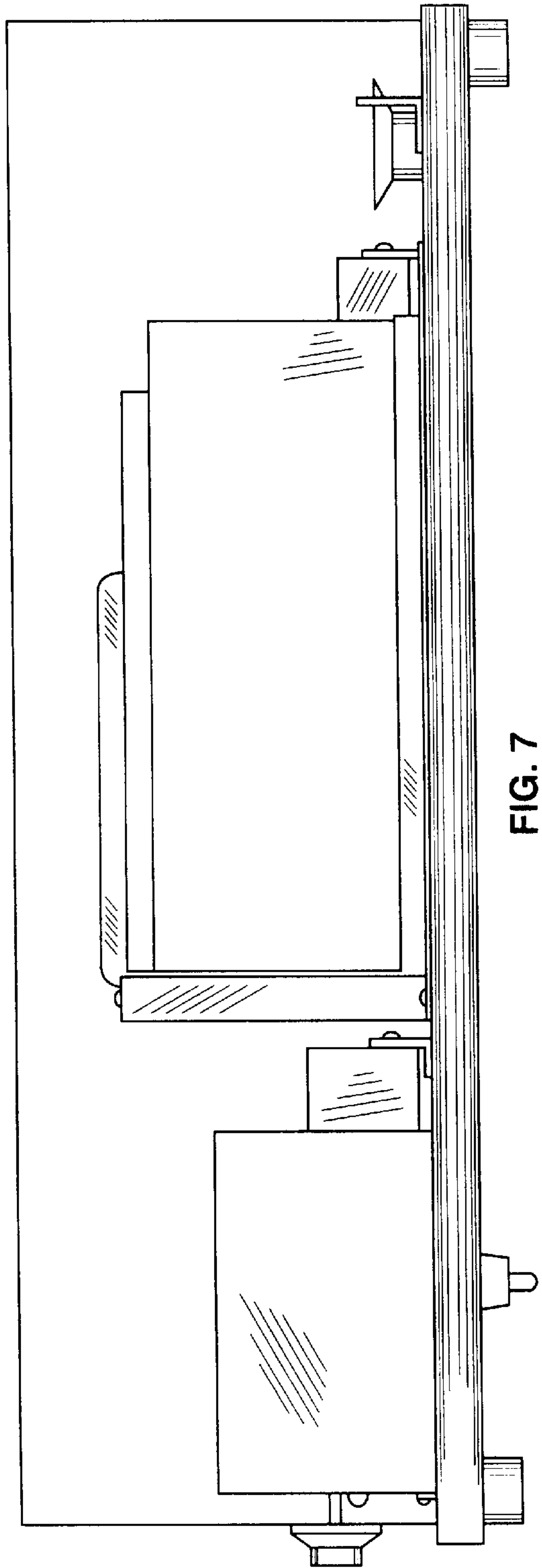


FIG. 7