



US00D412889S

United States Patent [19] Brunner

[11] **Patent Number: Des. 412,889**

[45] **Date of Patent: ** Aug. 17, 1999**

[54] **COMPUTER CHASSIS**

D. 373,117 8/1996 Barthelemy et al. D14/100

[75] Inventor: **Robert Brunner**, Los Gatos, Calif.

Primary Examiner—Freda Nunn
Attorney, Agent, or Firm—Limbach & Limbach LLP

[73] Assignee: **Toshiba America Information Systems, Inc.**, Irvine, Calif.

[57] **CLAIM**

[**] Term: **14 Years**

The ornamental design for a computer chassis, as shown and described.

[21] Appl. No.: **29/066,903**

DESCRIPTION

[22] Filed: **Feb. 24, 1997**

FIG. 1 is a front, top, perspective view of a computer chassis showing the new design;

[51] **LOC (6) Cl.** **14-02**

FIG. 2 is a front view thereof;

[52] **U.S. Cl.** **D14/100**

FIG. 3 is a right side view thereof;

[58] **Field of Search** D14/100, 102, D14/107-109; D13/162, 184, 199; D6/432, 436, 445, 448; 312/208.1; 360/99.12; 361/694, 696, 683, 685, 730, 732, 736, 740

FIG. 4 is a left side view thereof;

FIG. 5 is a top view thereof;

FIG. 6 is a rear, top, perspective view thereof;

FIG. 7 is a rear view thereof; and,

FIG. 8 is a bottom view thereof, the broken lines are shown in FIG. 8 for illustrative purposes only and form no part of the claimed design.

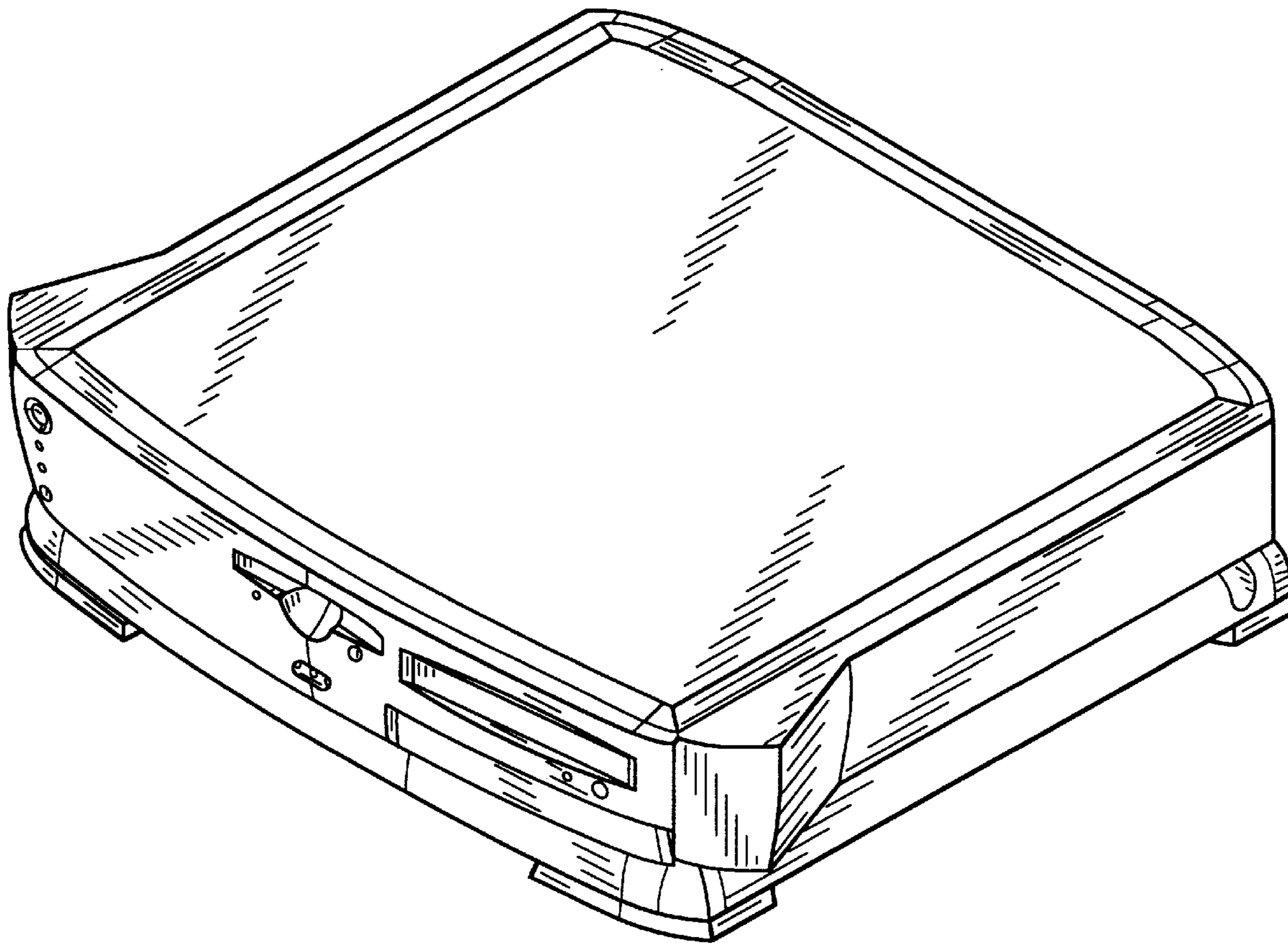
[56] **References Cited**

U.S. PATENT DOCUMENTS

D. 364,145 11/1995 Beneville et al. D14/100

D. 371,764 7/1996 Seid et al. D14/100

1 Claim, 8 Drawing Sheets



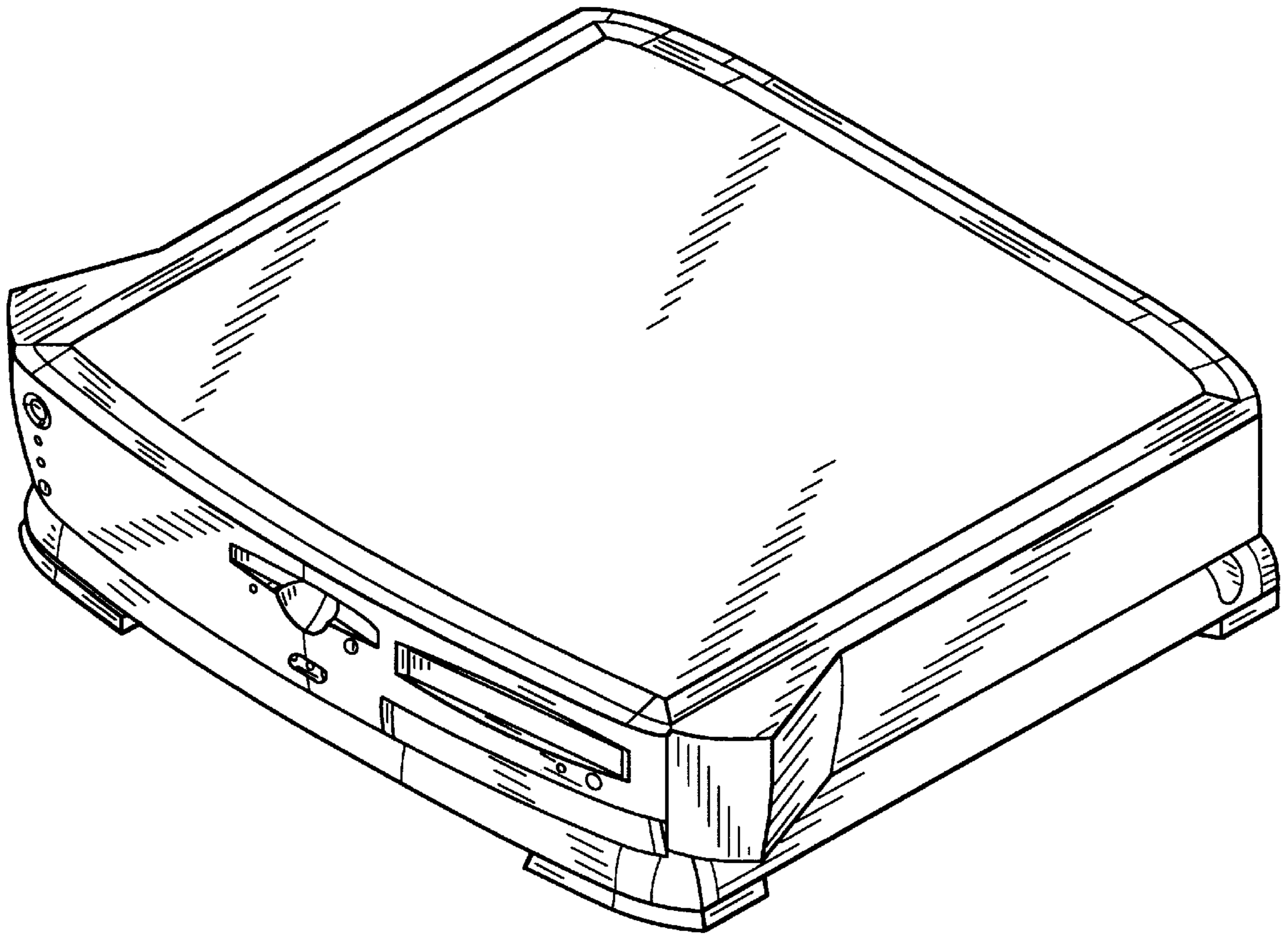


FIG. 1

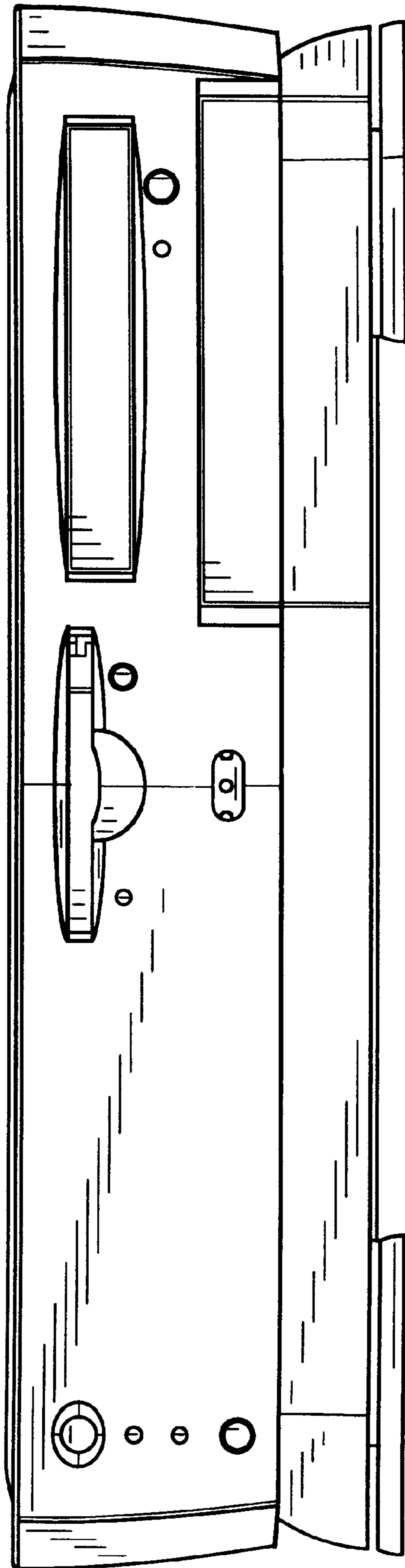


FIG. 2

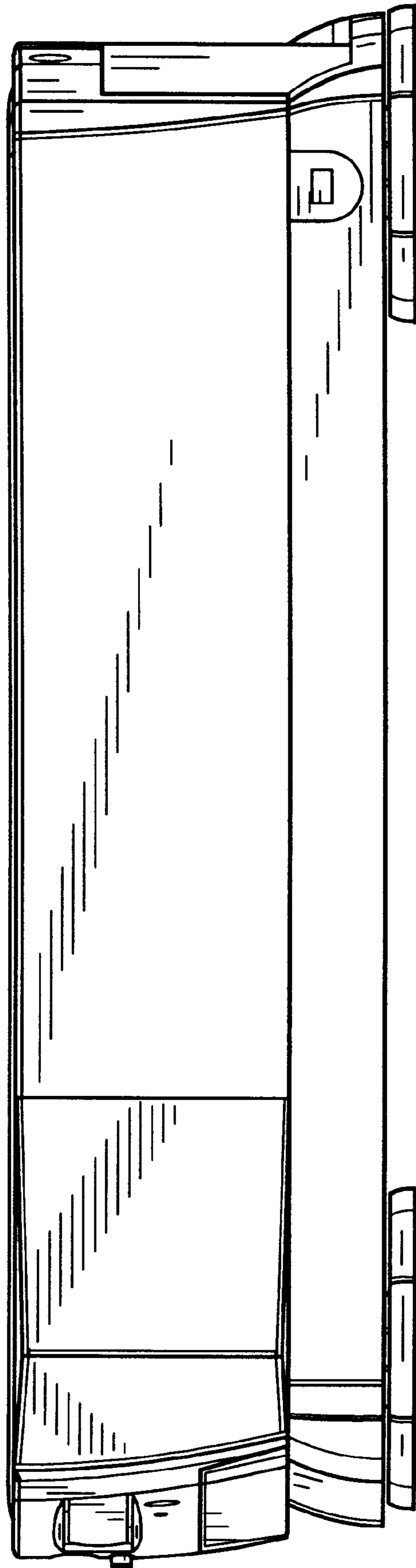


FIG. 3

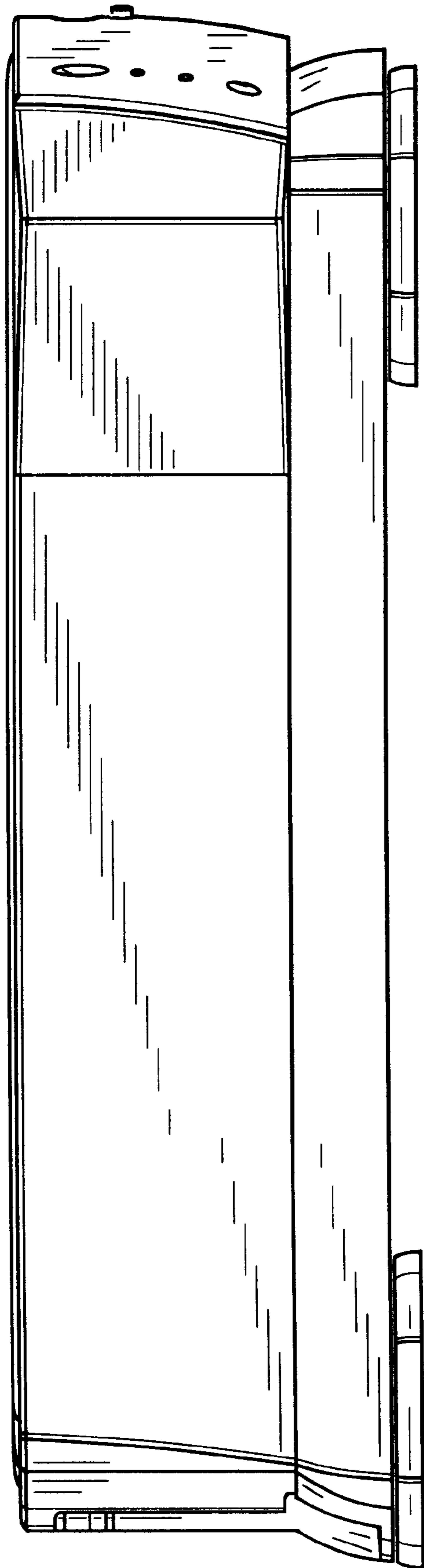


FIG. 4

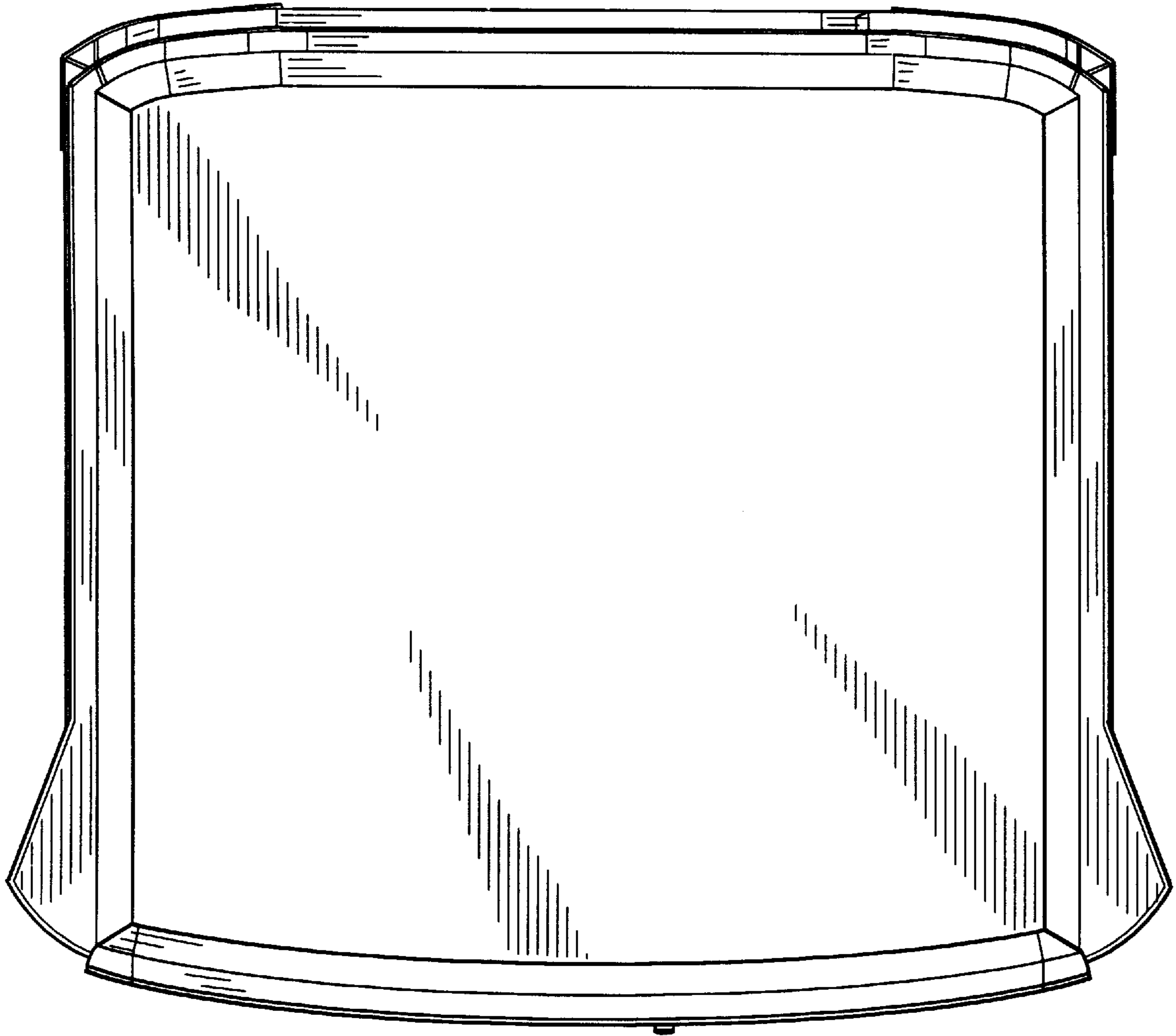


FIG. 5

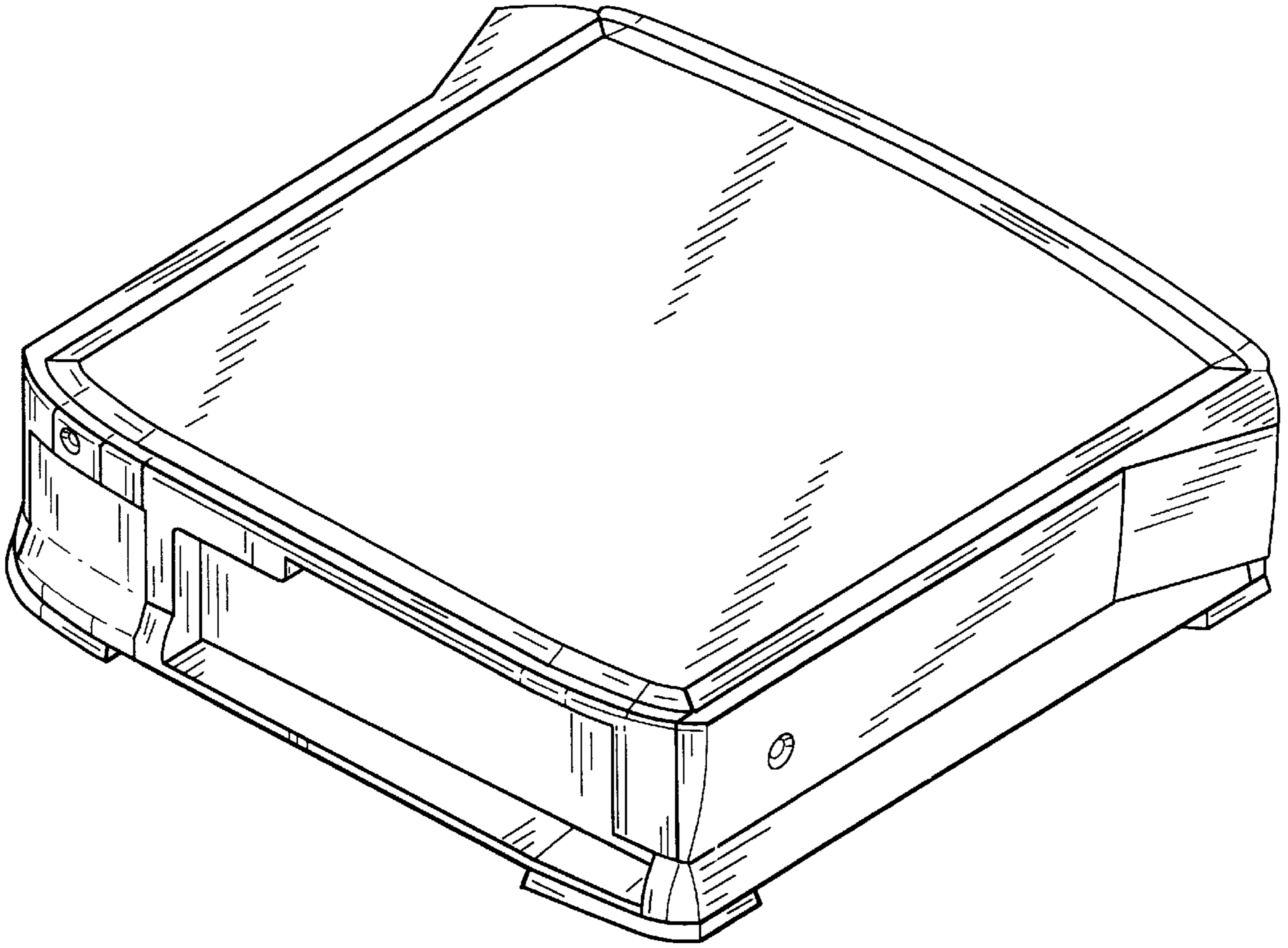


FIG. 6

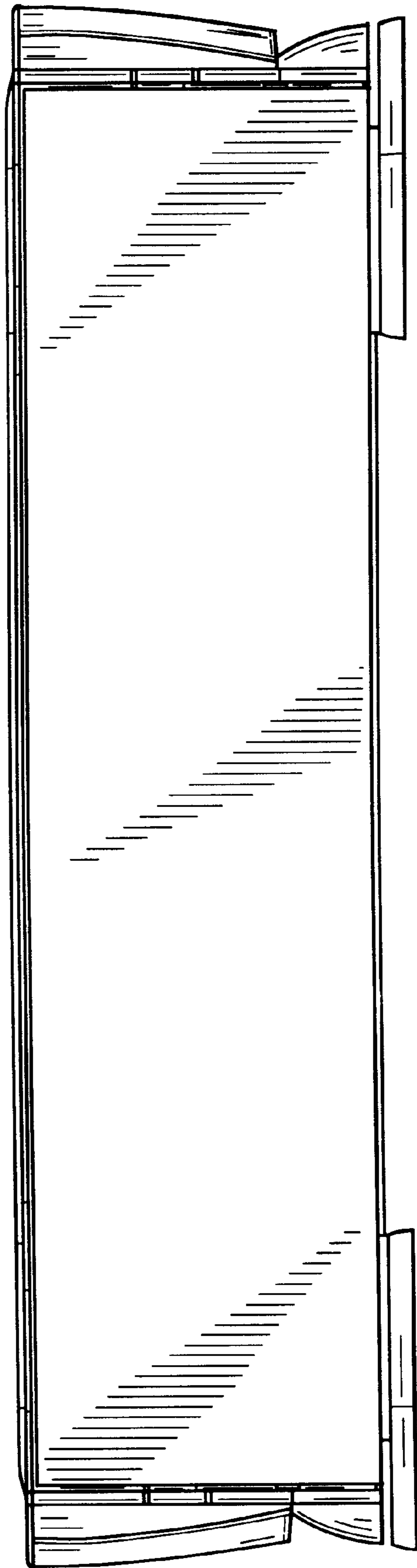


FIG. 7

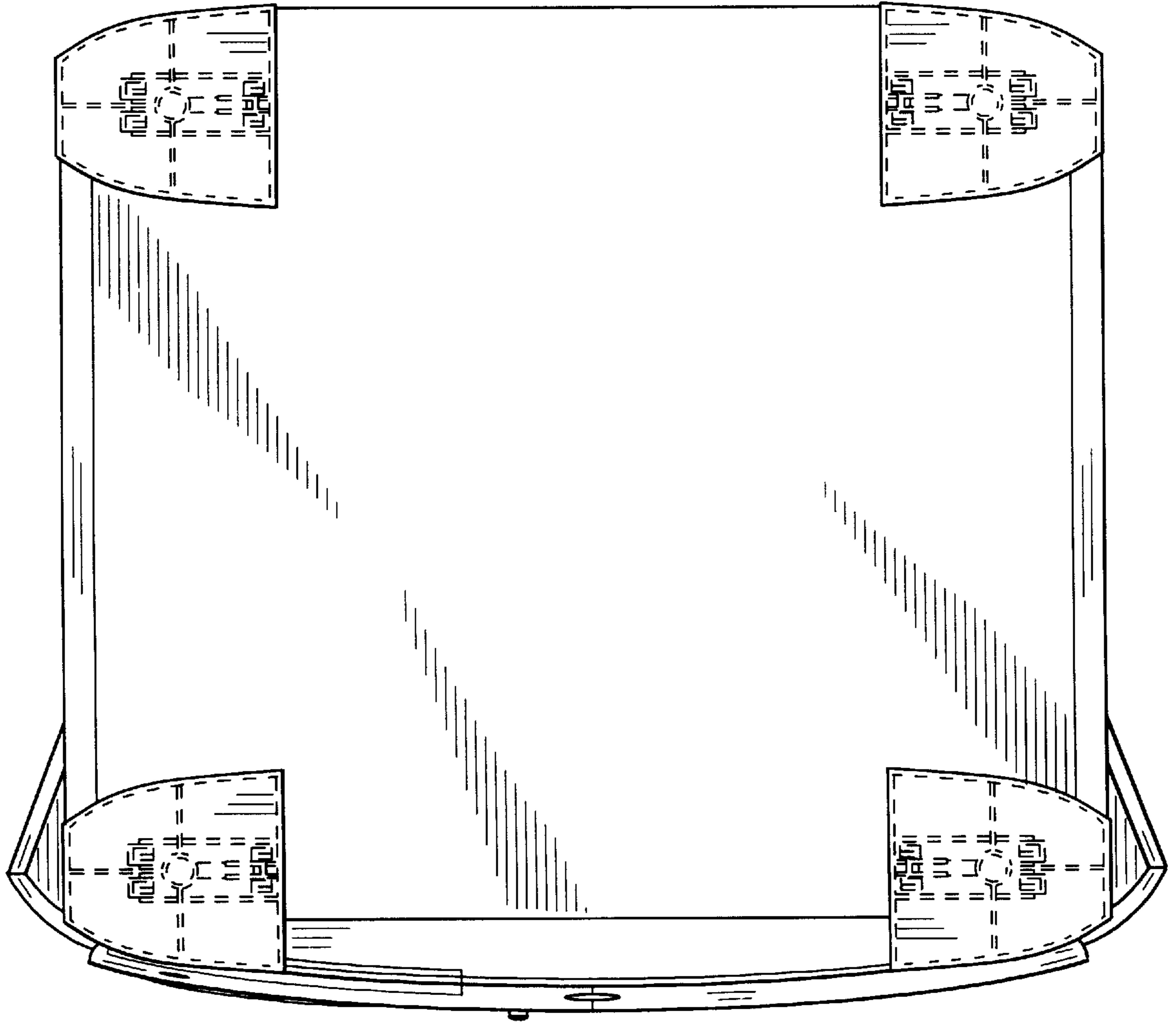


FIG. 8