



US00D412886S

# United States Patent [19] Doran

[11] Patent Number: **Des. 412,886**

[45] Date of Patent: **\*\* Aug. 17, 1999**

[54] MESSAGE CENTER SWITCHPLATE

[75] Inventor: **Bruce Doran**, Mt. Kisco, N.Y.

[73] Assignee: **American Tack & Hardware Co., Inc.**, Monsey, N.Y.

[\*\*] Term: **14 Years**

[21] Appl. No.: **29/086,021**

[22] Filed: **Apr. 2, 1998**

[51] LOC (6) Cl. .... **13-03**

[52] U.S. Cl. .... **D13/177**

[58] Field of Search ..... D13/162, 169, D13/170, 171, 173, 174, 175, 176, 177; D8/353; 174/48, 52.1, 66; 200/42.01, 237, 293, 308, 310, 313, 314, 329, 331, 341; 338/68, 152, 163, 184, 226; 361/600, 627

[56] **References Cited**

**U.S. PATENT DOCUMENTS**

D. 283,979 5/1986 Arnett et al. .... D13/177 X  
D. 358,153 5/1995 Jackson ..... D13/177 X

D. 384,646 10/1997 Miller et al. .... D13/170  
D. 402,272 12/1998 Mezey ..... D13/177  
3,514,789 6/1970 Jester ..... 200/310 X  
3,522,595 8/1970 White ..... D13/177 X  
4,339,045 7/1982 Bodin ..... 174/66 X

*Primary Examiner*—Brian N. Vinson  
*Attorney, Agent, or Firm*—Hedman, Gibson & Costigan, P.C.

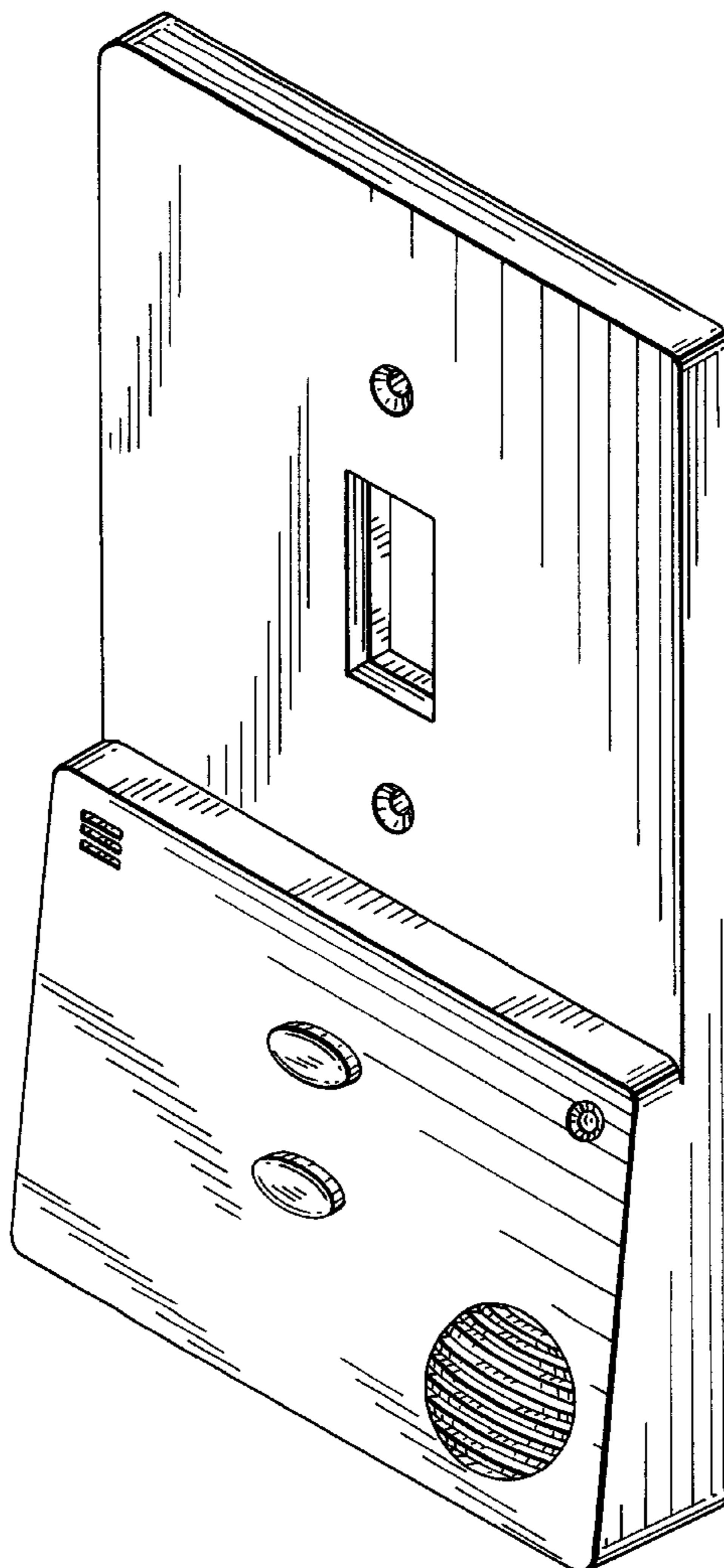
[57] **CLAIM**

The ornamental design for a message center switchplate, as shown and described.

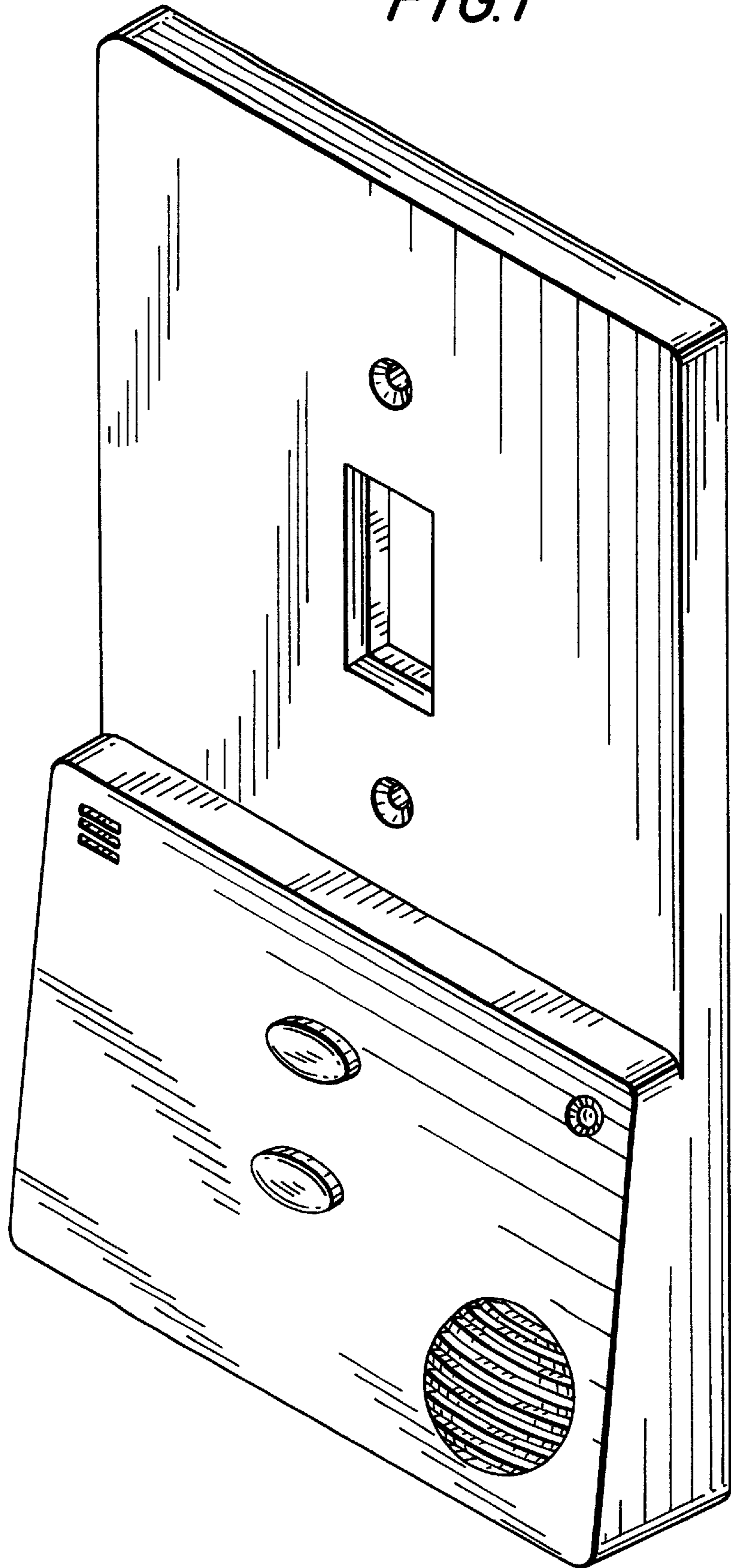
**DESCRIPTION**

FIG. 1 is a front perspective view of a message center switchplate according to my design; FIG. 2 is a top view of my design; FIG. 3 is a front view of my design; FIG. 4 is a bottom view of my design; FIG. 5 is a right side view of my design which is the mirror image of the left side view of my design; and, FIG. 6 is a back view of my design.

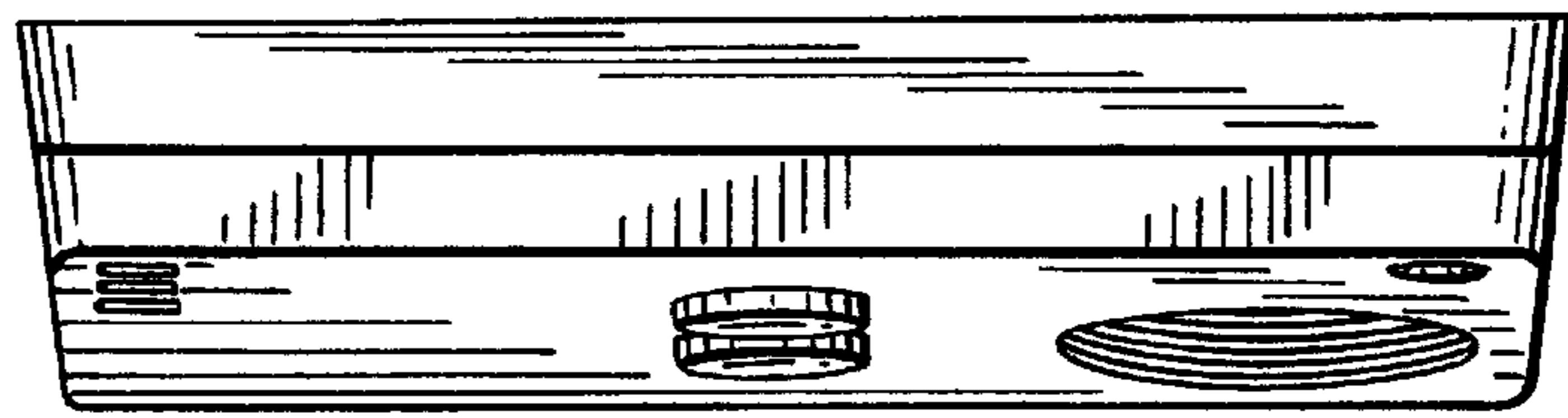
**1 Claim, 3 Drawing Sheets**



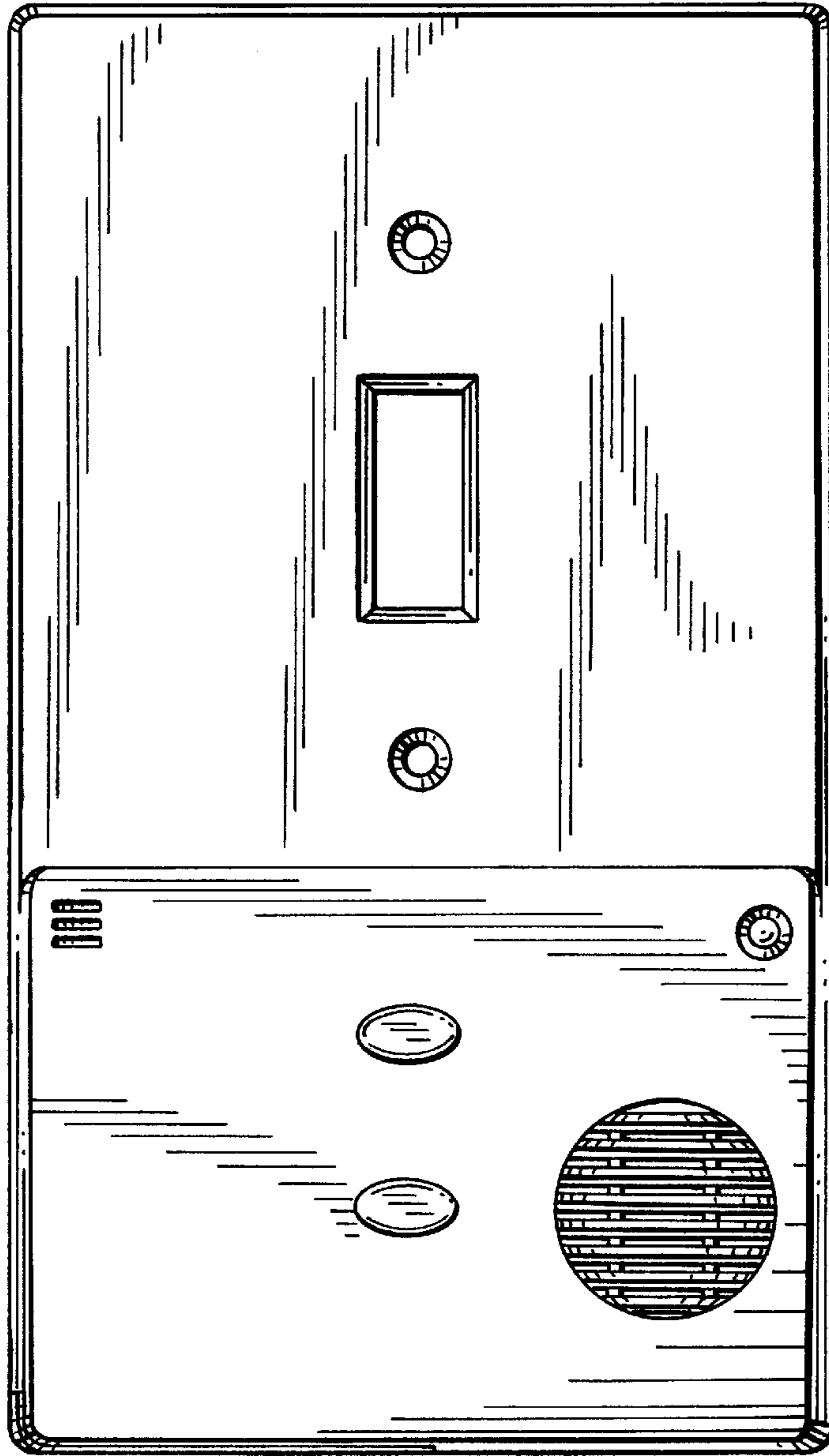
*FIG. 1*



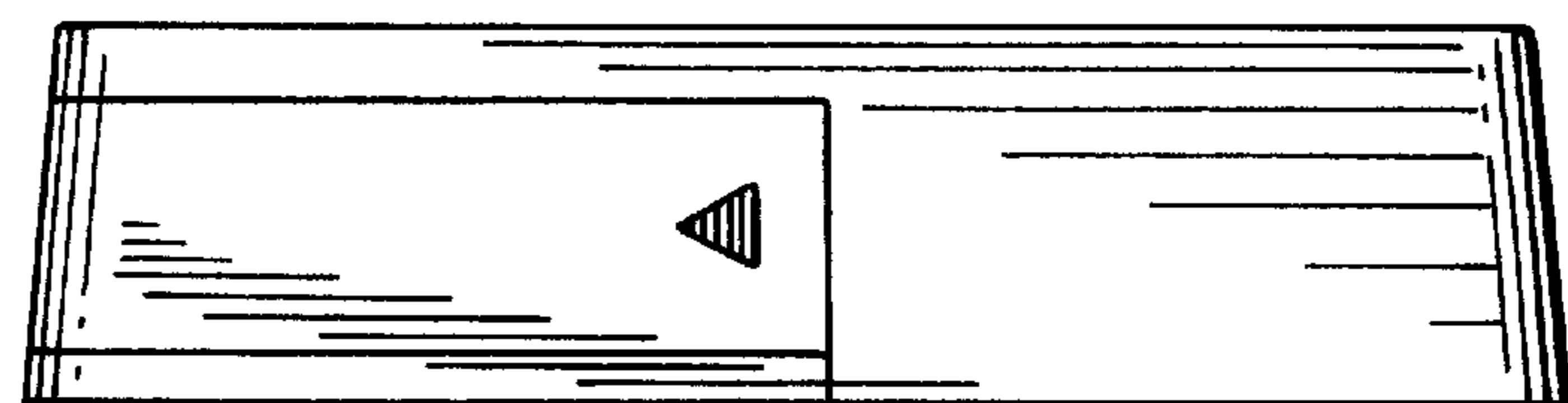
*FIG. 2*



*FIG. 3*



*FIG. 4*



*FIG.5*



*FIG.6*

