



US00D412885S

United States Patent [19] Toly

[11] **Patent Number: Des. 412,885**

[45] **Date of Patent: ** Aug. 17, 1999**

[54] **CONTACT HOUSING FOR AN ELECTRICAL CONNECTOR**

[76] Inventor: **Elde V. Toly**, 109 Bulkley Ave., Sausalito, Calif. 94965

[**] Term: **14 Years**

[21] Appl. No.: **29/091,800**

[22] Filed: **Aug. 6, 1998**

[51] **LOC (6) Cl.** **13-03**

[52] **U.S. Cl.** **D13/154; D13/133; D13/146**

[58] **Field of Search** **D13/133, 146, D13/154; 439/314, 316, 318, 332**

[56] **References Cited**

U.S. PATENT DOCUMENTS

D. 322,954	1/1992	Avramovich	D13/133
D. 372,221	7/1996	Anthony	D13/146
4,255,007	3/1981	Michaels et al.	439/332
4,736,999	4/1988	Marks et al.	439/314
5,505,632	4/1996	Hayashi et al.	439/318
5,662,488	9/1997	Alden	439/314

Primary Examiner—Joel Sincavage

Attorney, Agent, or Firm—Owen, Wickersham & Erickson, P.C.

[57] **CLAIM**

The ornamental design for a contact housing for an electrical connector, as shown and described.

DESCRIPTION

FIG. 1 is a top frontal view in perspective of a contact housing for an electrical connector embodying my new design, shown in use with a complimentary connector and wires shown in phantom lines;

FIG. 2 is a top frontal view in perspective of a contact housing for an electrical connector embodying my new design;

FIG. 3 is a bottom frontal view in perspective thereof;

FIG. 4 is a front elevational view thereof;

FIG. 5 is a left side elevational view thereof, and the right side is a mirror image thereof;

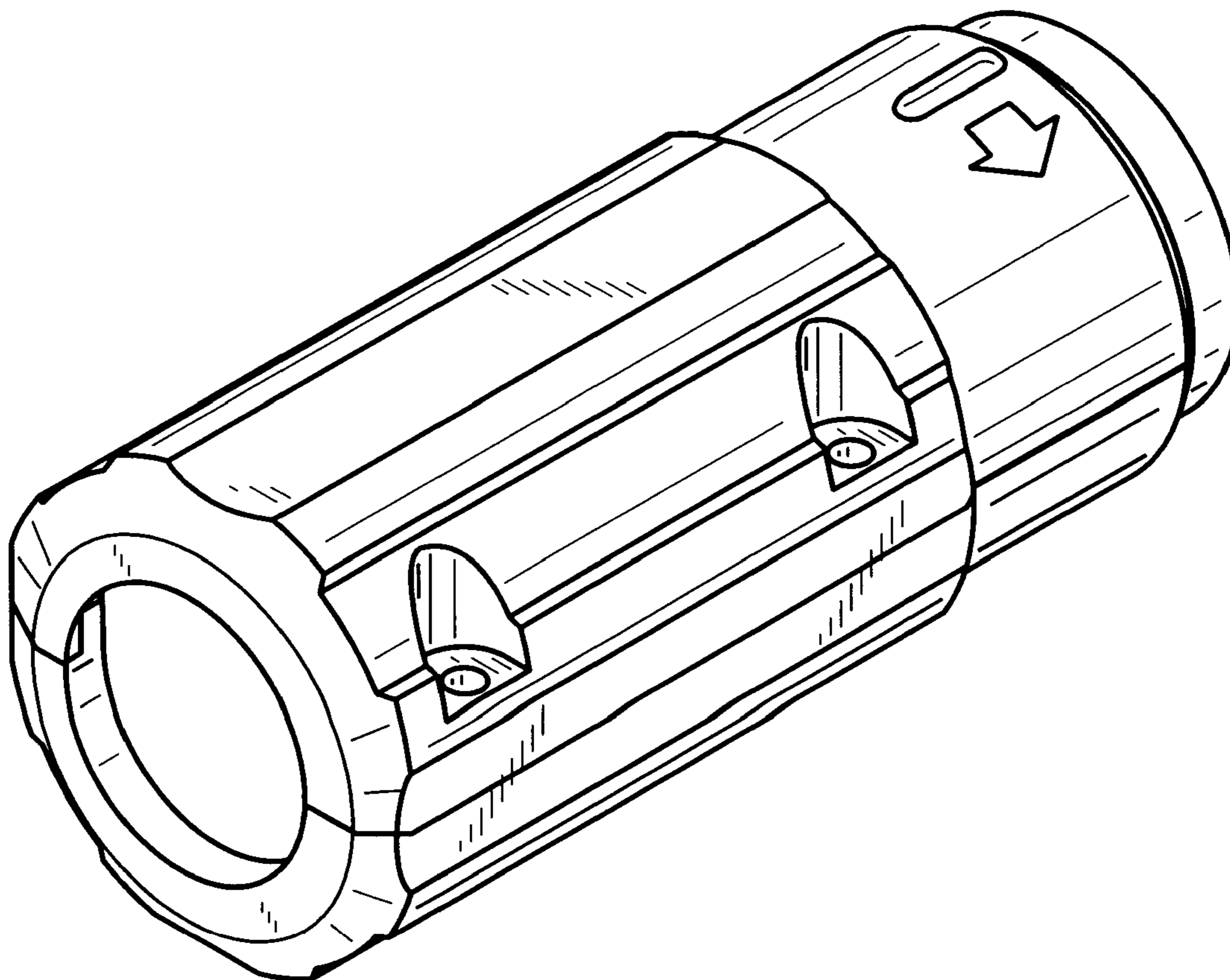
FIG. 6 is a rear elevational view thereof;

FIG. 7 is a top plan view thereof; and,

FIG. 8 is a bottom plan view thereof.

The phantom lines in FIG. 1 illustrate environmental structure only which forms no part of the claimed design.

1 Claim, 3 Drawing Sheets



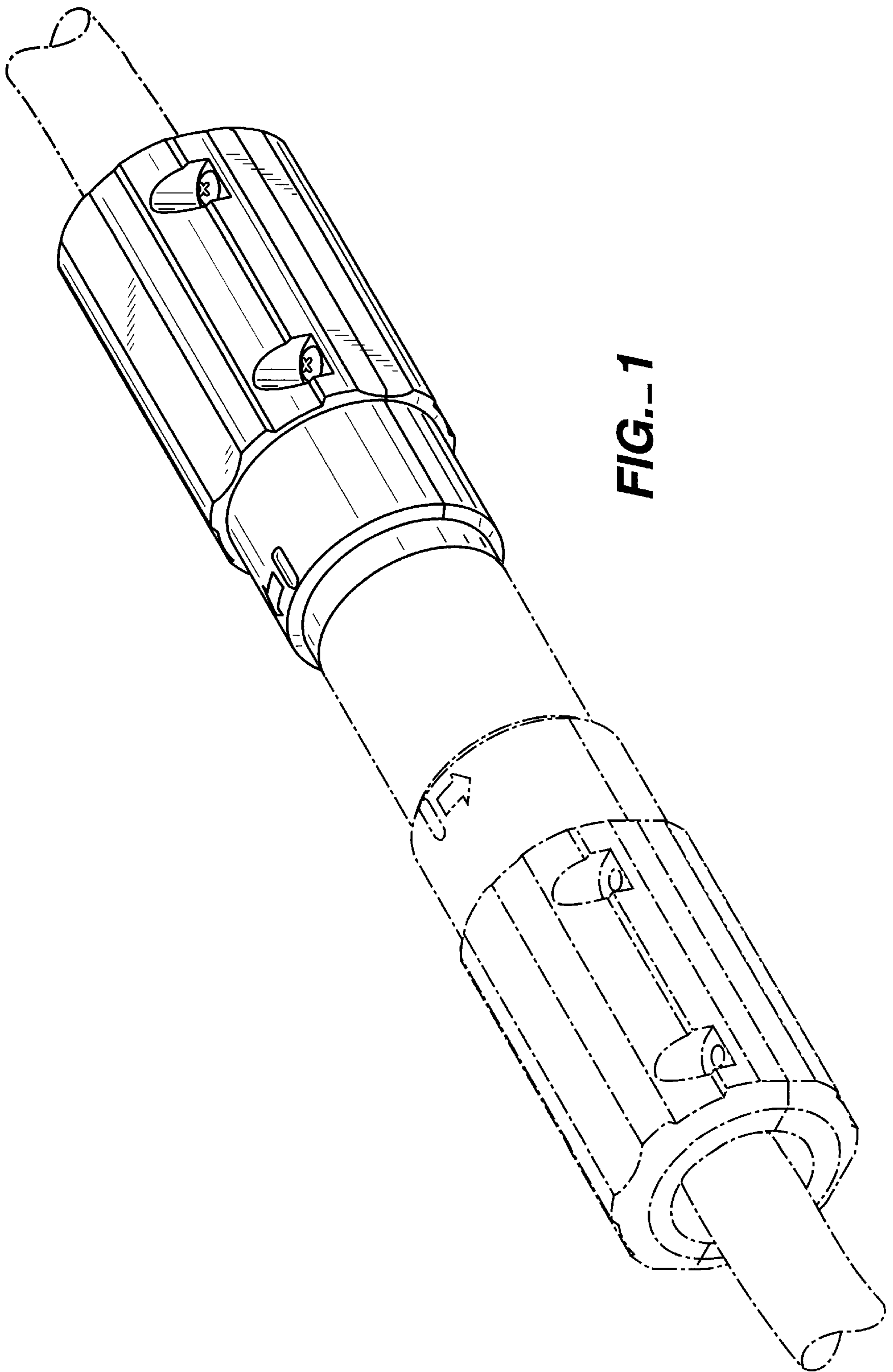


FIG. 1

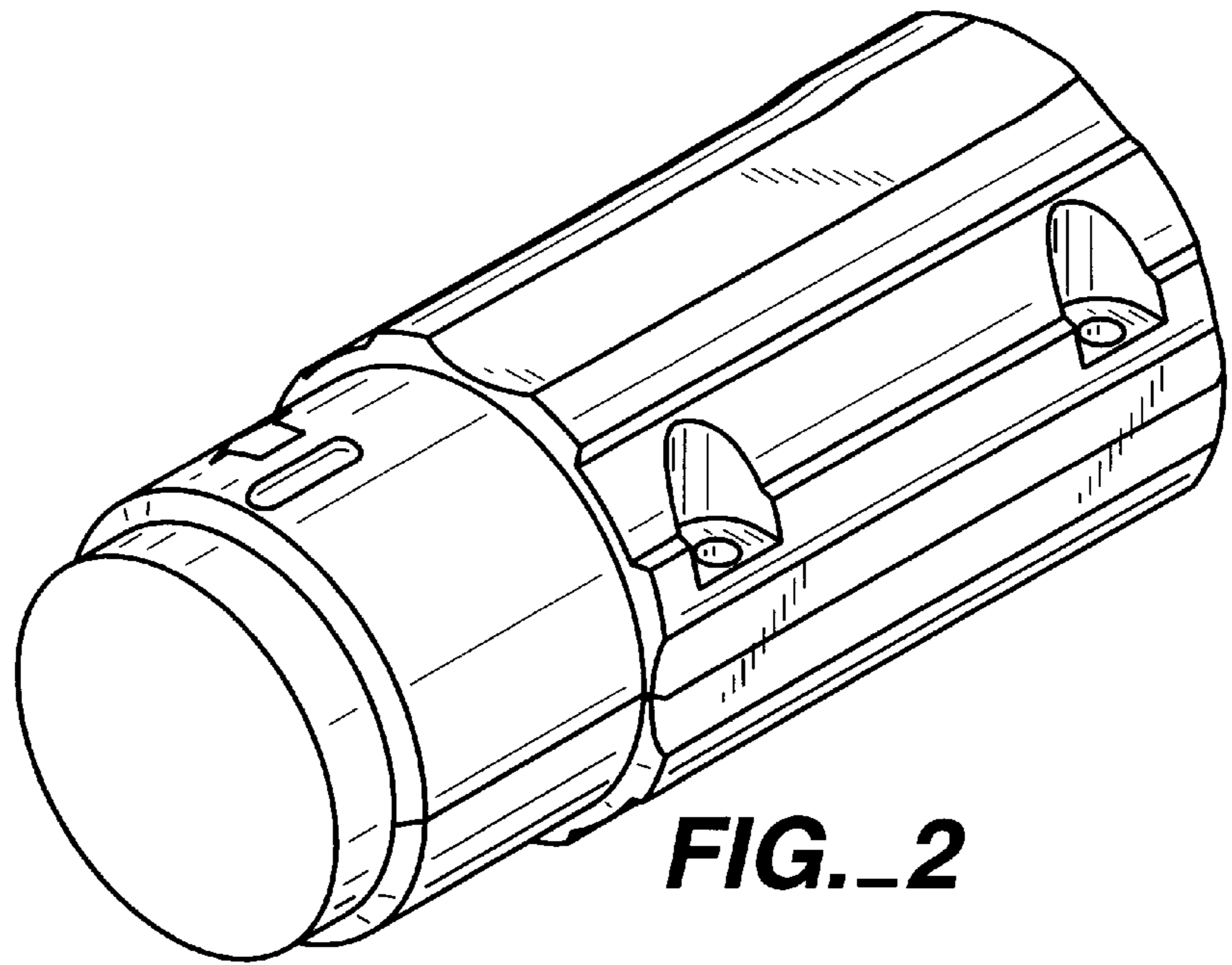


FIG. 2

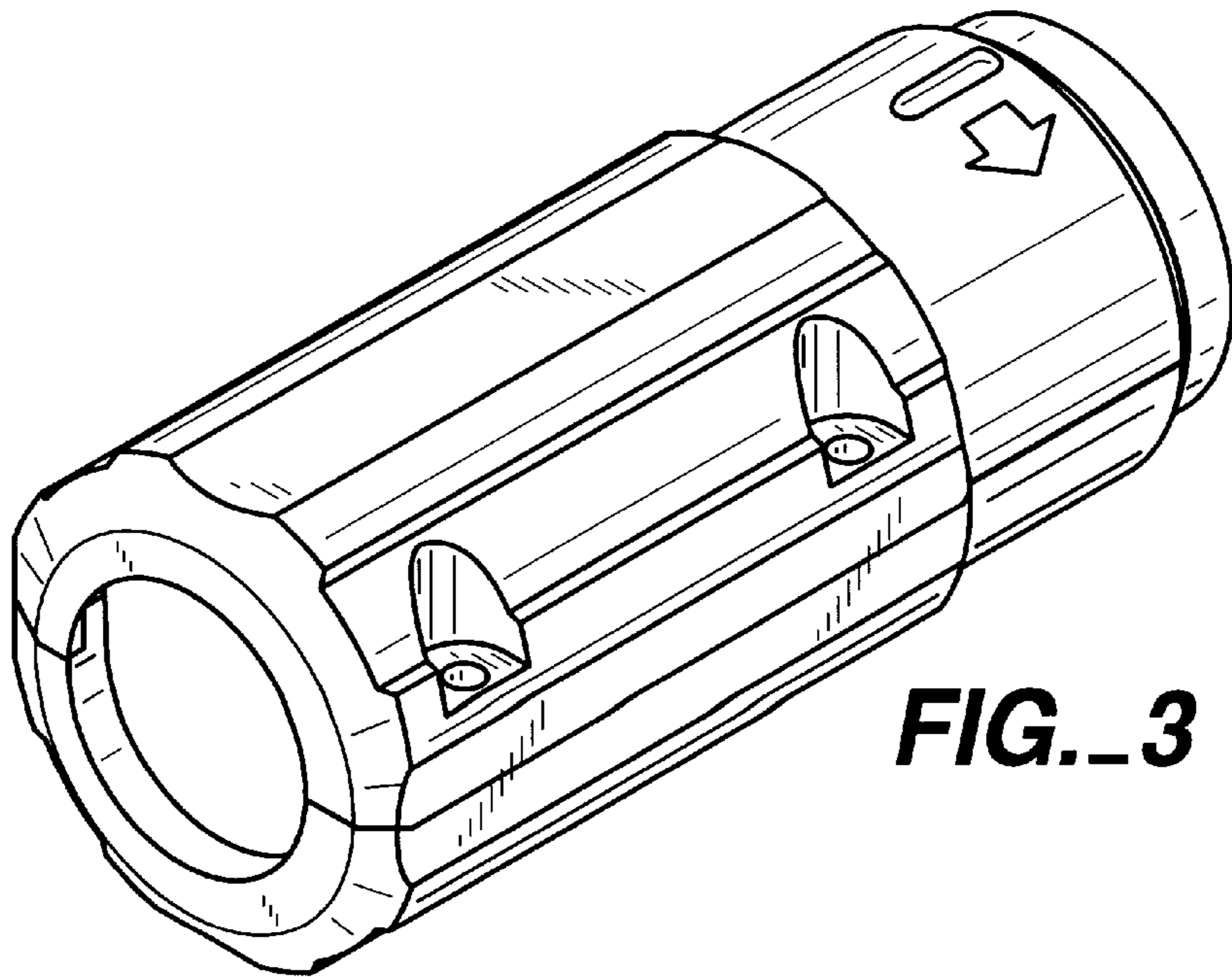


FIG. 3

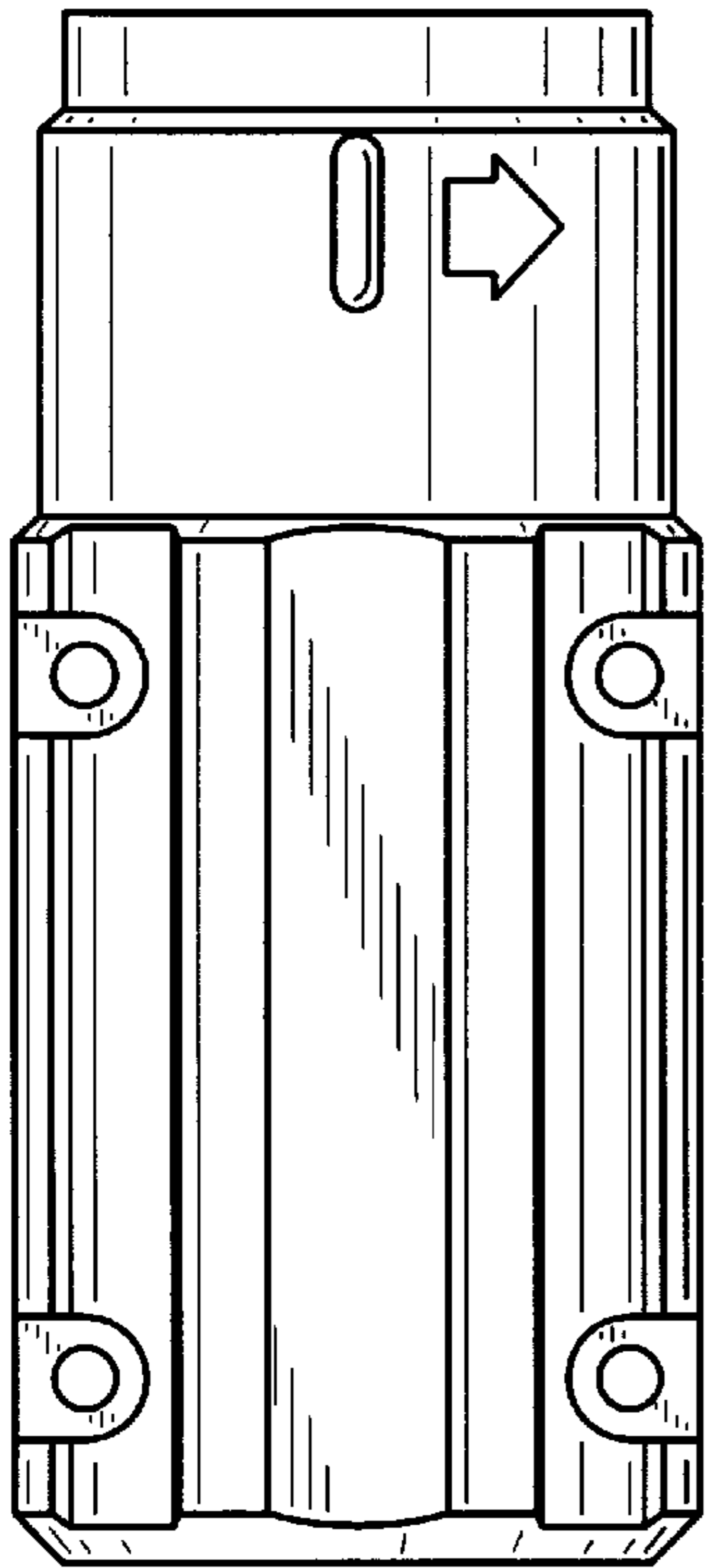


FIG._4

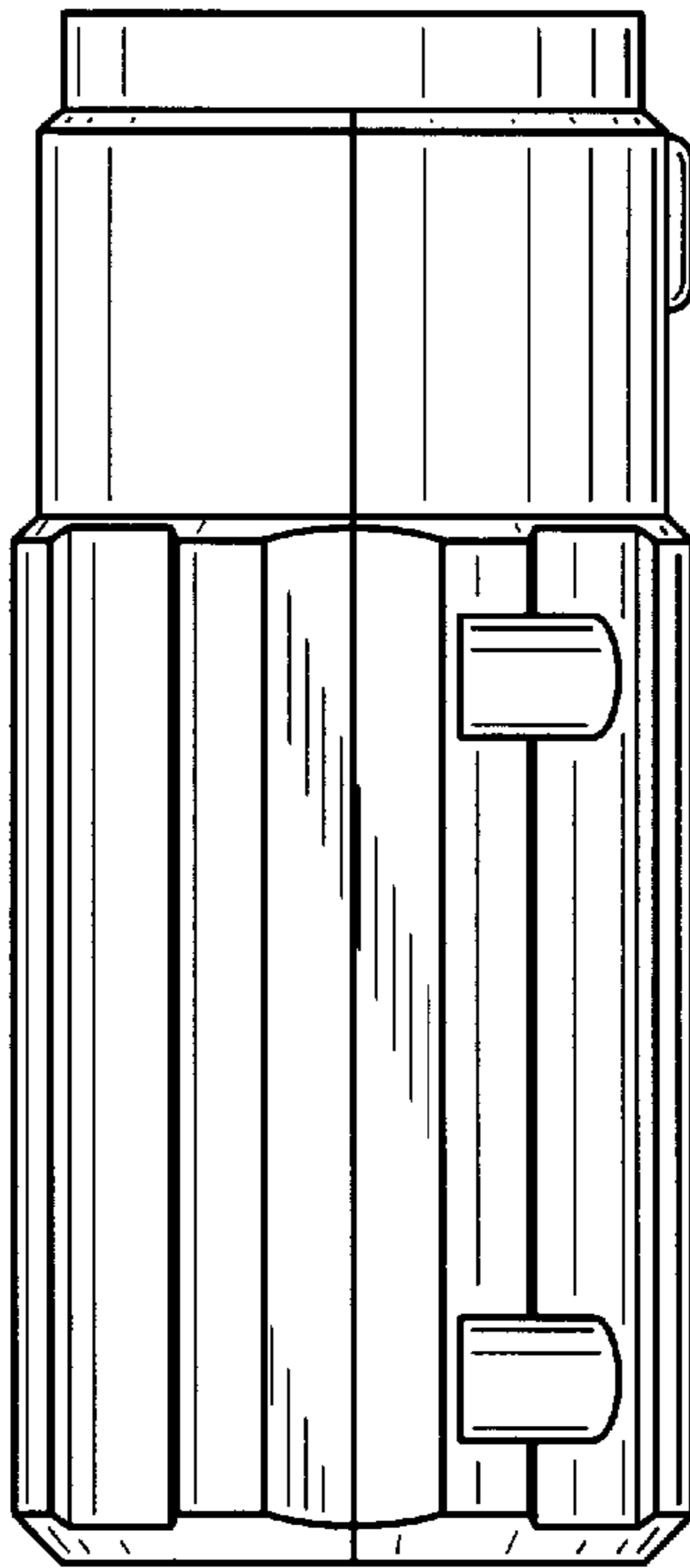


FIG._5

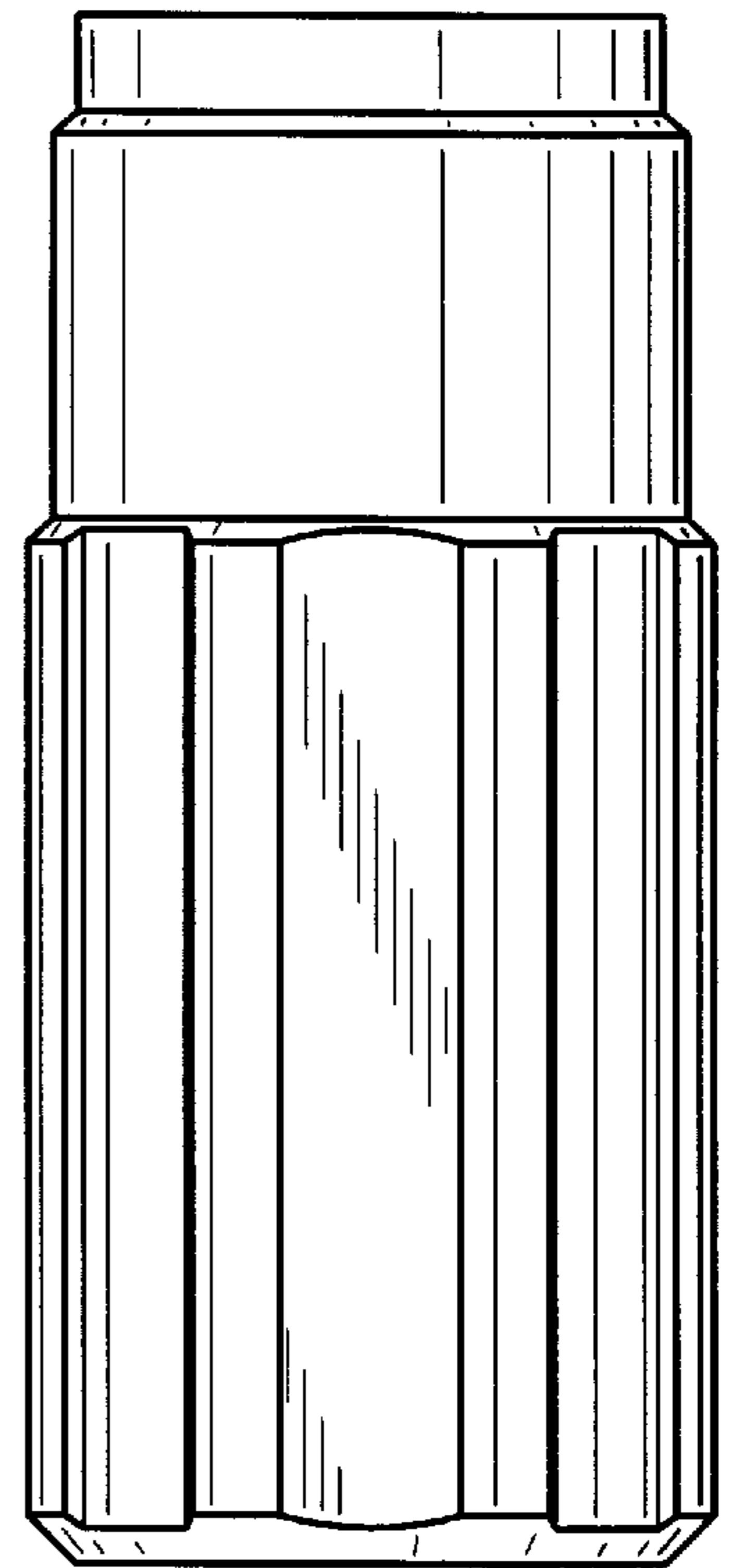


FIG._6

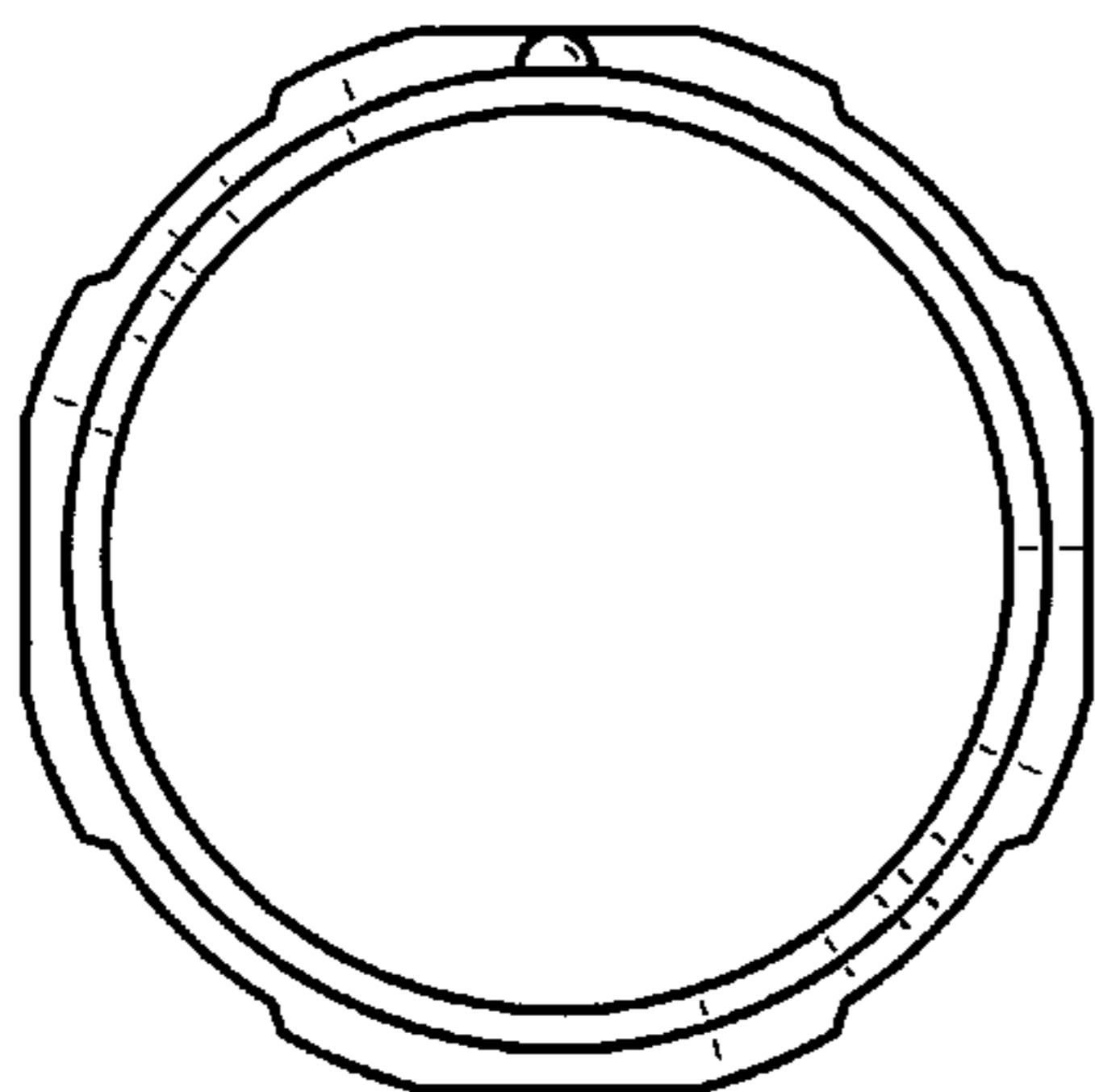


FIG._7

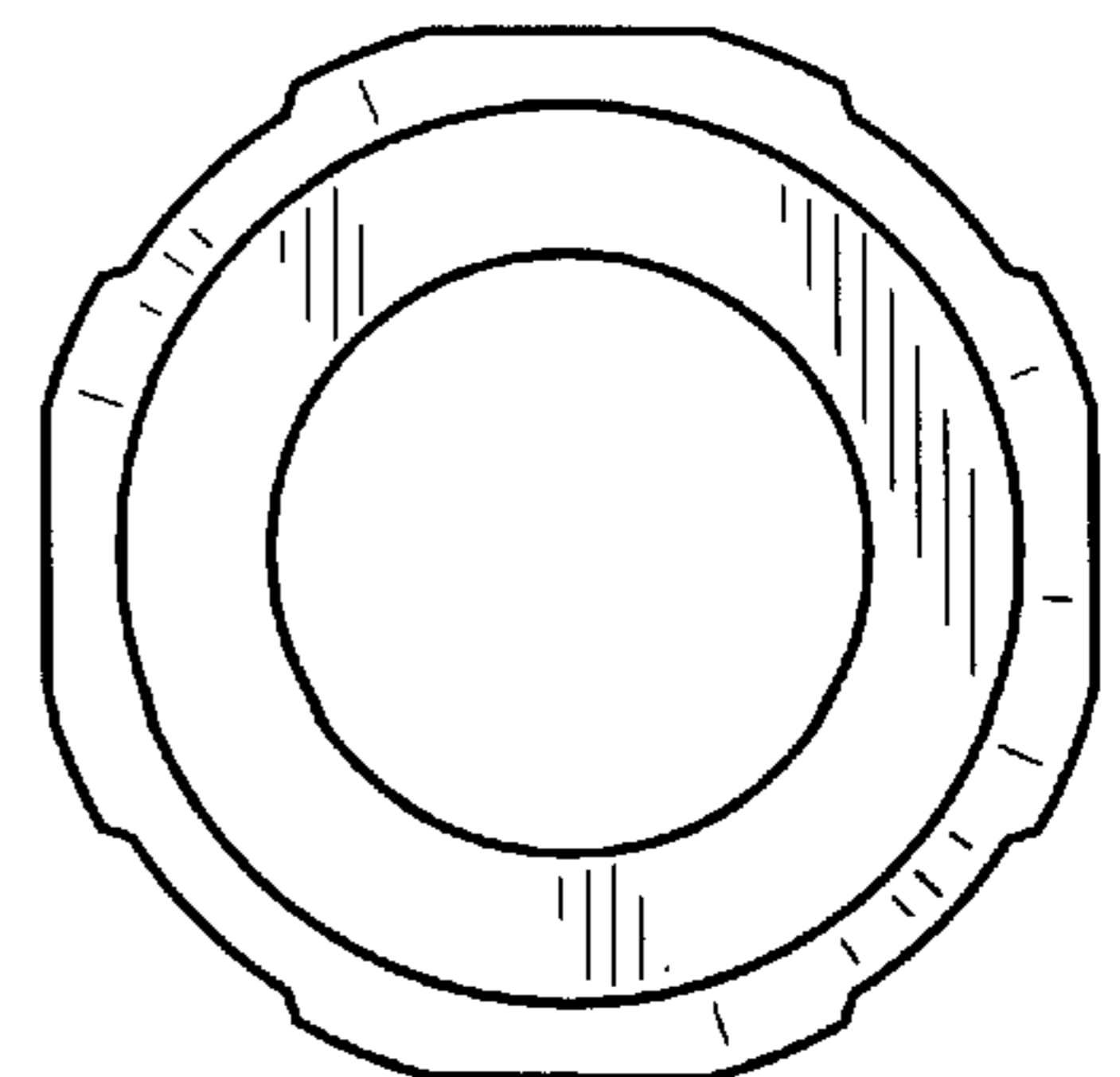


FIG._8