



US00D412884S

United States Patent [19] Wu

[11] **Patent Number: Des. 412,884**

[45] **Date of Patent: ** Aug. 17, 1999**

[54] **DOCKING CONNECTOR**

[75] Inventor: **Kun-Tsan Wu, Tu-Chen, Taiwan**

[73] Assignee: **Hon Hai Precision Ind. Co., Ltd.,
Taipei Hsien, Taiwan**

[**] Term: **14 Years**

[21] Appl. No.: **29/094,921**

[22] Filed: **Oct. 13, 1998**

[30] **Foreign Application Priority Data**

Apr. 27, 1998 [TW] Taiwan 87303078

[51] **LOC (6) Cl.** **13-03**

[52] **U.S. Cl.** **D13/147**

[58] **Field of Search** D13/146, 147;
439/78, 79, 84, 607, 626, 650, 677, 680

[56] **References Cited**

U.S. PATENT DOCUMENTS

4,479,686 10/1984 Hoshino et al. 339/17 LC

5,464,355 11/1995 Rothenberger 439/78 X
5,547,385 8/1996 Spangler 439/101
5,697,799 12/1997 Consoli et al. 439/607 X
5,711,676 1/1998 Spickler et al. 439/79

Primary Examiner—Joel Sincavage

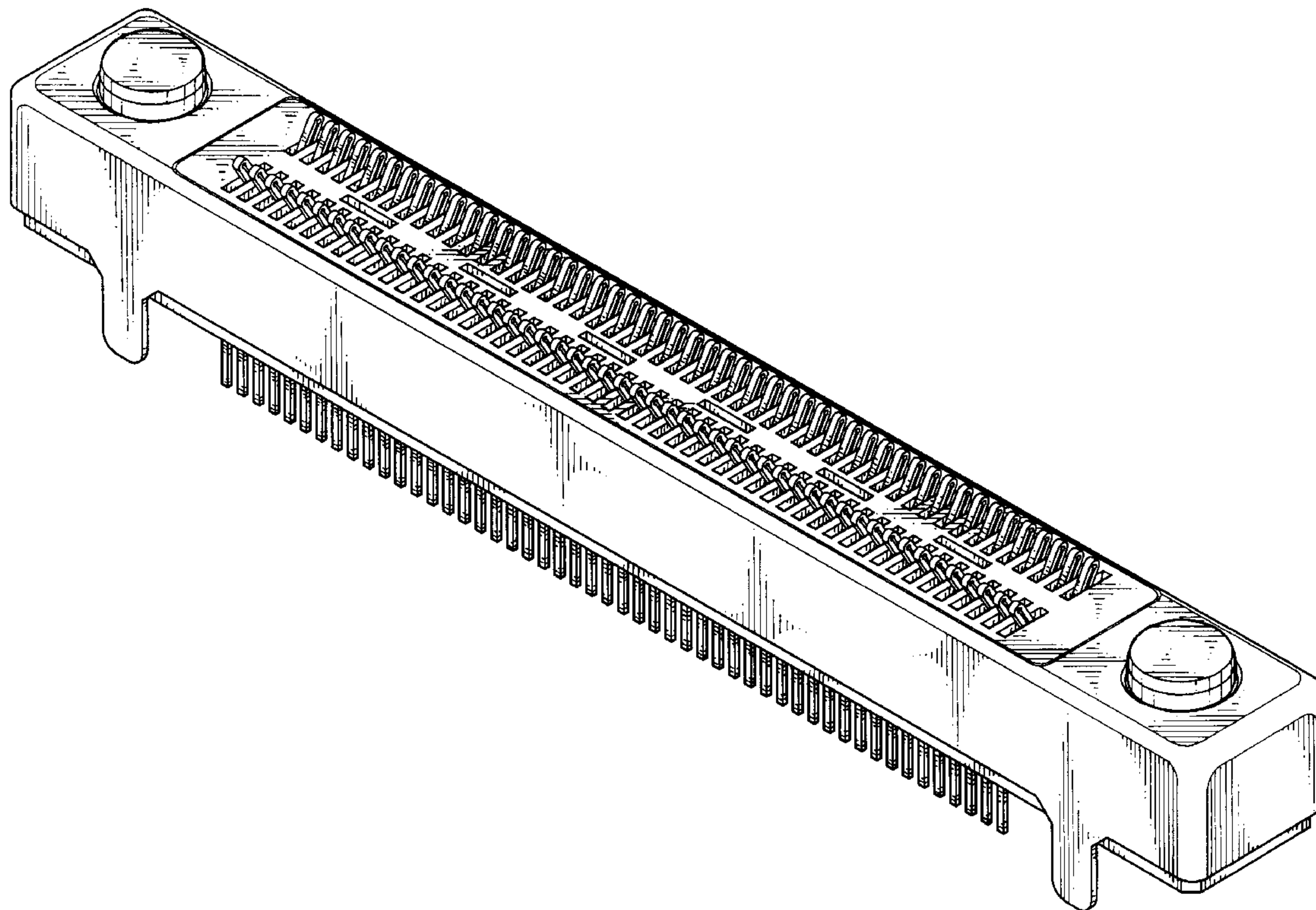
[57] **CLAIM**

The ornamental design for a docking connector, as shown.

DESCRIPTION

FIG. 1 is a front, top and right perspective view of a docking connector showing my new design;
FIG. 2 is a front view thereof;
FIG. 3 is a rear view thereof;
FIG. 4 is a left side elevational view thereof;
FIG. 5 is a right side elevational view thereof;
FIG. 6 is a top plan view thereof; and,
FIG. 7 is a bottom plan view thereof.

1 Claim, 4 Drawing Sheets



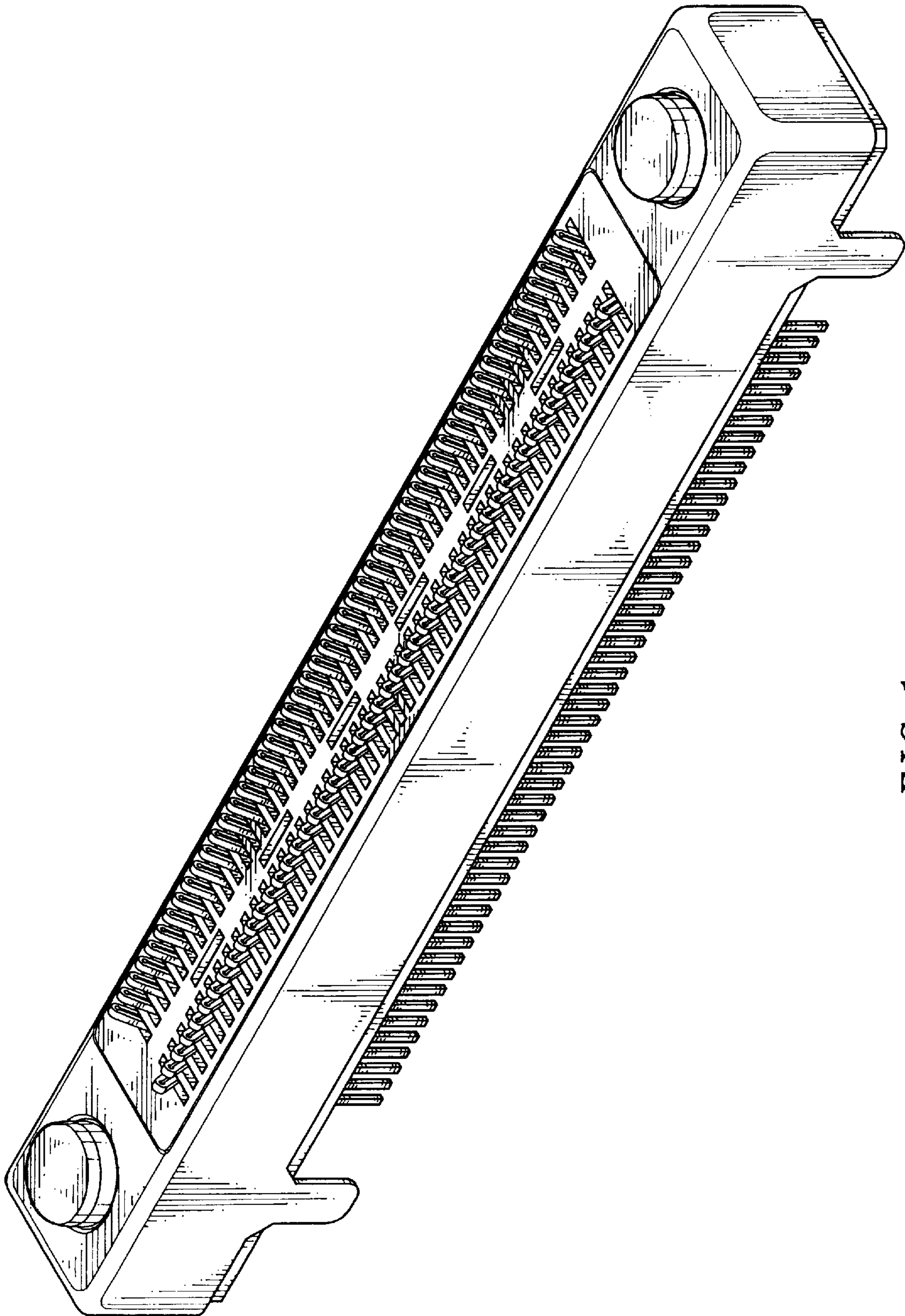


FIG. 1

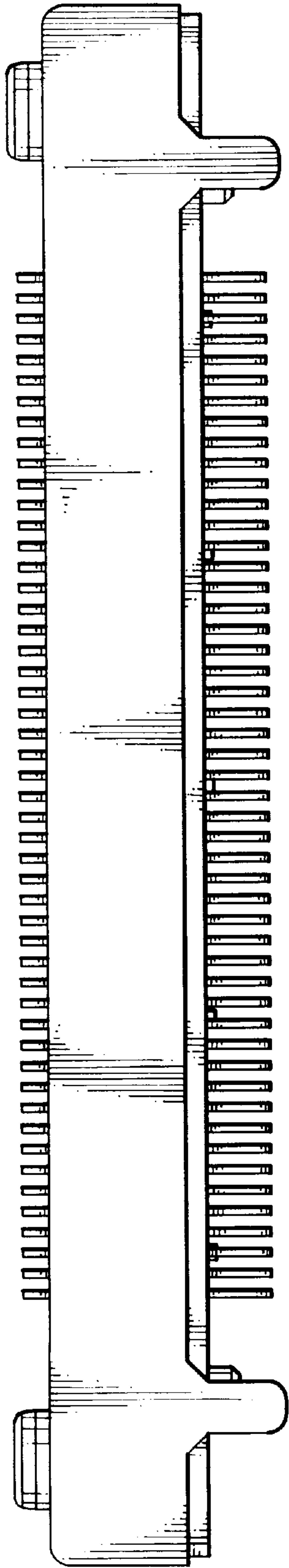


FIG. 2

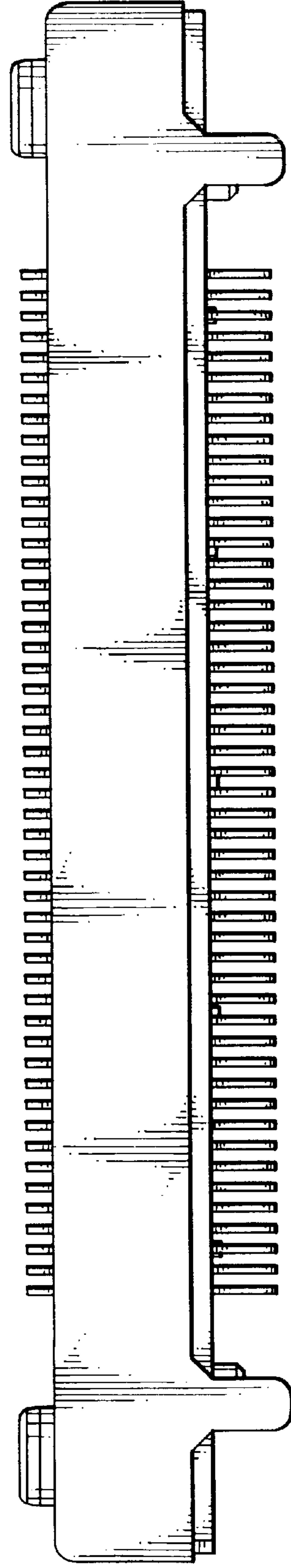


FIG. 3

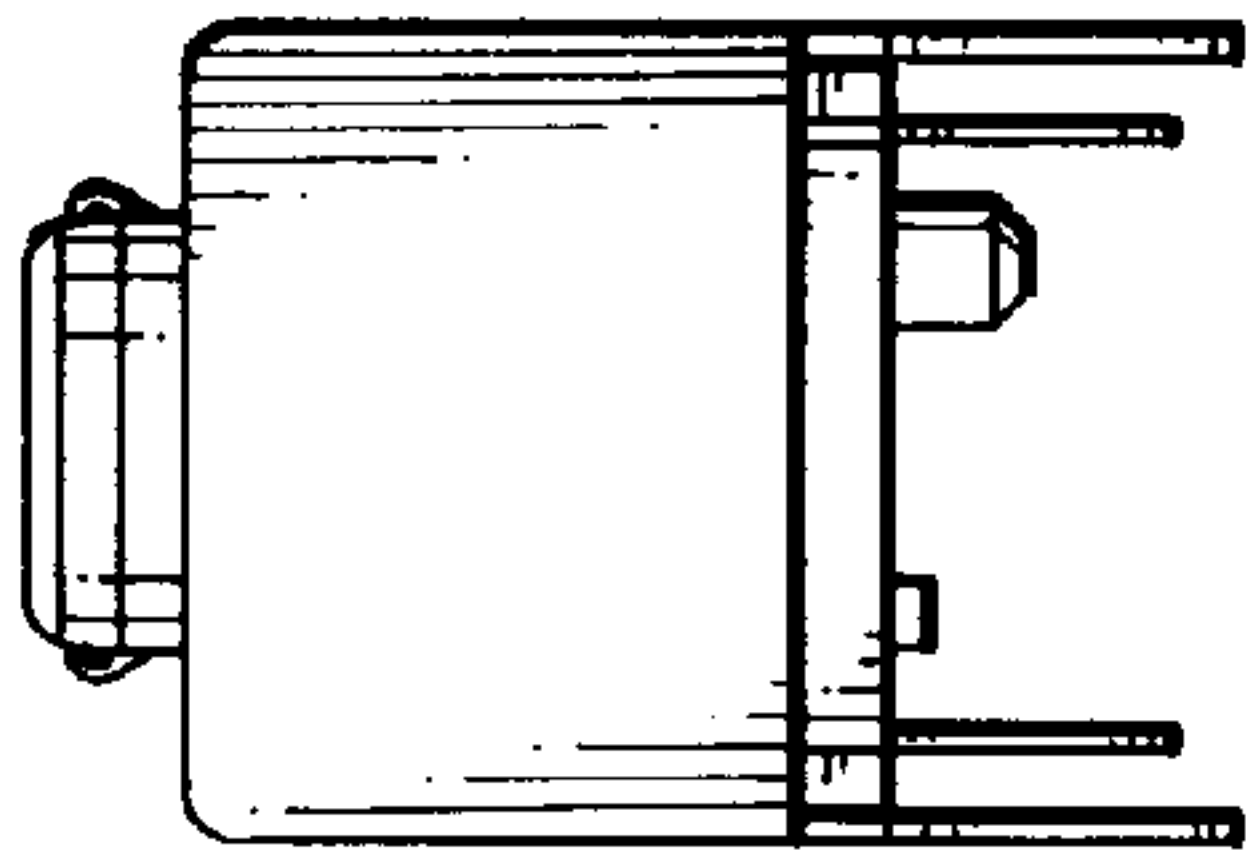


FIG. 4

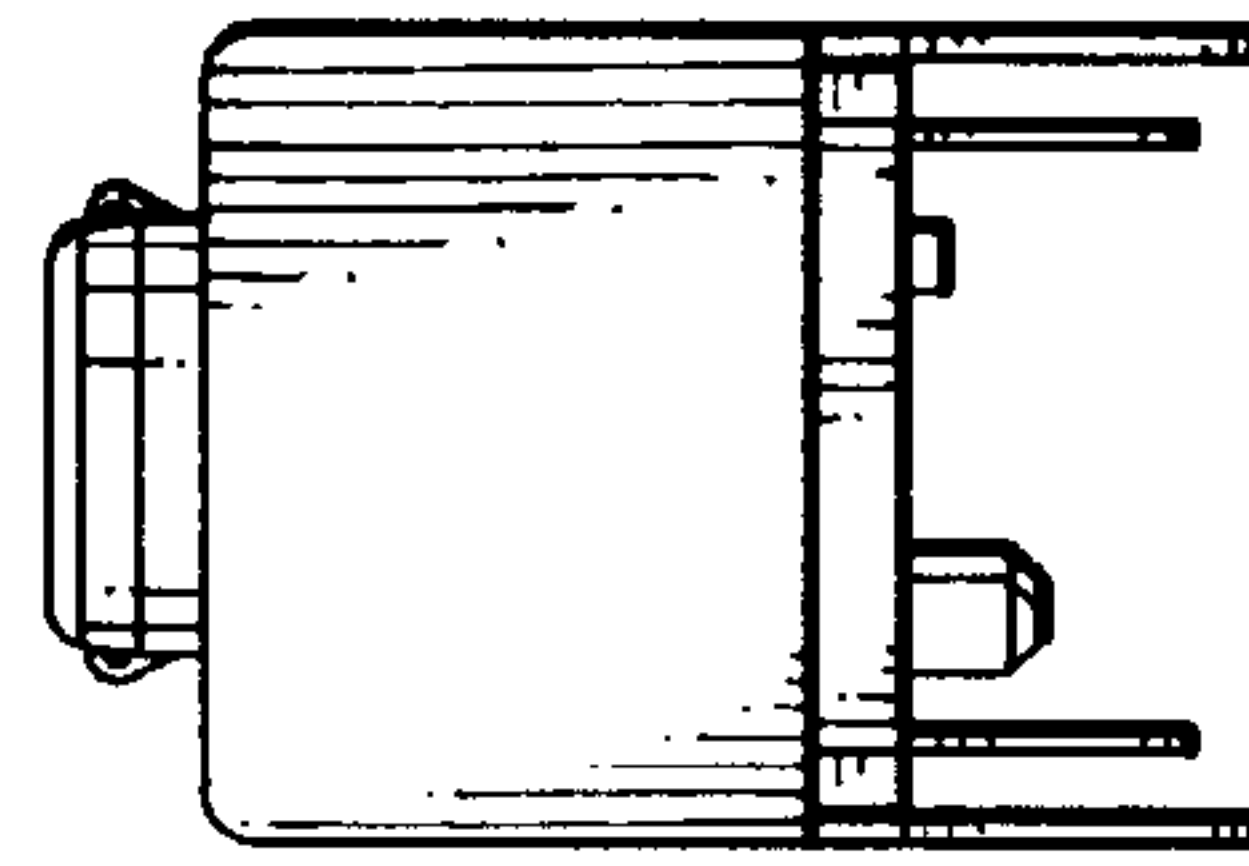


FIG. 5

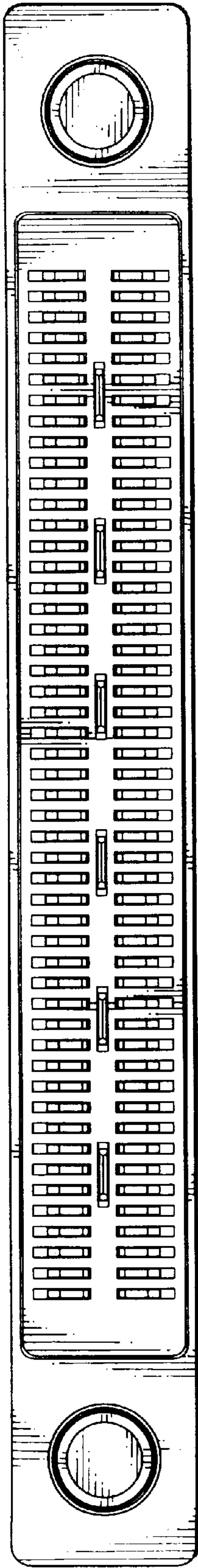


FIG. 6

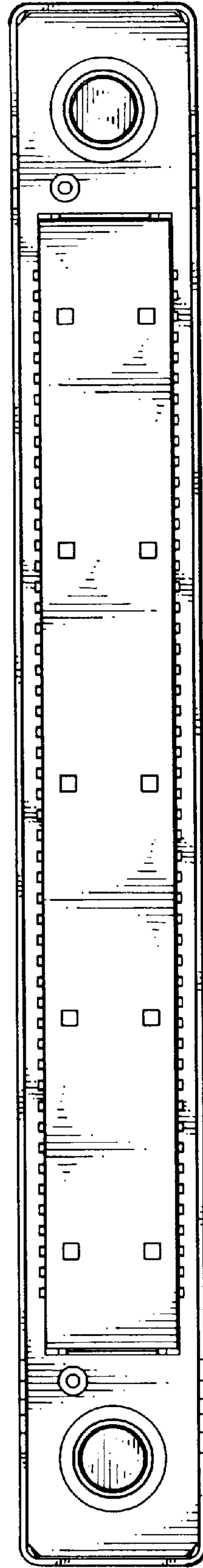


FIG. 7