



US00D412883S

**United States Patent** [19]  
**Nakazawa**

[11] **Patent Number: Des. 412,883**  
[45] **Date of Patent: \*\* Aug. 17, 1999**

[54] **ELECTRICAL CONNECTOR**  
[75] Inventor: **Yasuo Nakazawa**, Gunma, Japan  
[73] Assignee: **Hosiden Corporation**, Osaka, Japan  
[\*\*] Term: **14 Years**  
[21] Appl. No.: **29/095,257**  
[22] Filed: **Oct. 20, 1998**  
[30] **Foreign Application Priority Data**  
May 19, 1998 [JP] Japan ..... 10-14346  
[51] **LOC (6) Cl.** ..... **13-03**  
[52] **U.S. Cl.** ..... **D13/146**  
[58] **Field of Search** ..... D13/133, 146;  
439/314, 316, 318, 332

3,818,420 6/1974 Barr ..... 439/314 X  
3,982,808 9/1976 Marechal ..... 439/314 X  
4,284,313 8/1981 Anhalt ..... 439/314 X  
4,483,579 11/1984 Derr et al. .... 439/314 X  
4,703,989 11/1987 Price et al. .... 439/314 X  
5,015,195 5/1991 Piriz ..... 439/318  
5,490,790 2/1996 Okada ..... 439/314 X  
5,505,632 4/1996 Hayashi et al. .... 439/318

*Primary Examiner*—Joel Sincavage  
*Attorney, Agent, or Firm*—Pollock, Vande Sande & Amernick

[56] **References Cited**  
**U.S. PATENT DOCUMENTS**  
D. 312,814 12/1990 Takizawa ..... D13/133  
D. 320,001 9/1991 Hirabayashi ..... D13/146  
D. 322,954 1/1992 Avramovich ..... D13/146  
D. 356,296 3/1995 Chapman ..... D13/146  
D. 399,189 10/1998 Lin ..... D13/146  
D. 406,816 3/1999 Happer et al. .... D13/146

[57] **CLAIM**  
The ornamental design for an electrical connector, as shown and described.

**DESCRIPTION**  
FIG. 1 is a perspective view of an electrical connector showing my new design;  
FIG. 2 is a right side elevational view of an electrical connector showing my new design;  
FIG. 3 is a left side elevational view thereof;  
FIG. 4 is a top plan view thereof;  
FIG. 5 is a bottom plan view thereof;  
FIG. 6 is a front view thereof; and,  
FIG. 7 is a rear thereof.

**1 Claim, 2 Drawing Sheets**

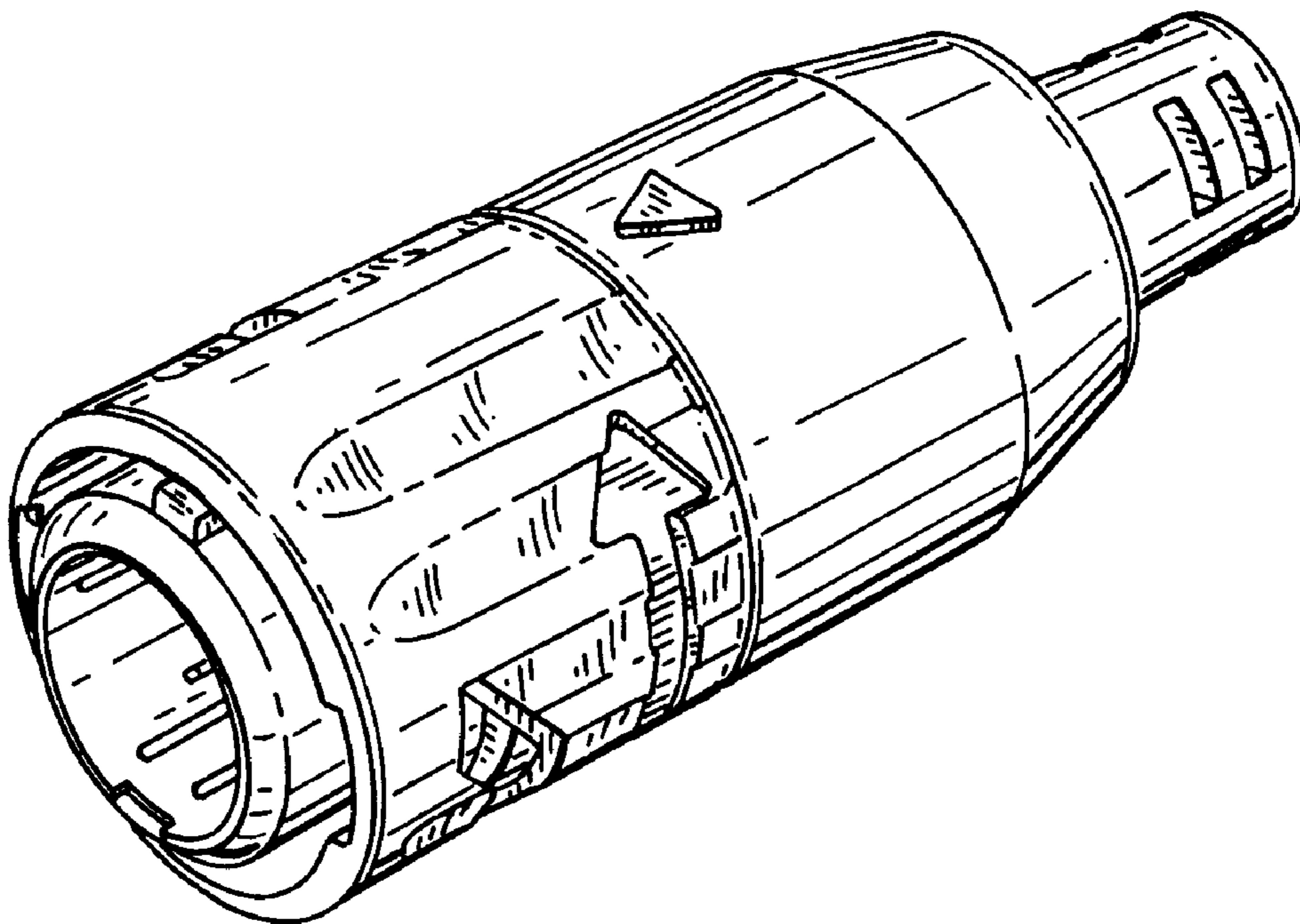


FIG. 1

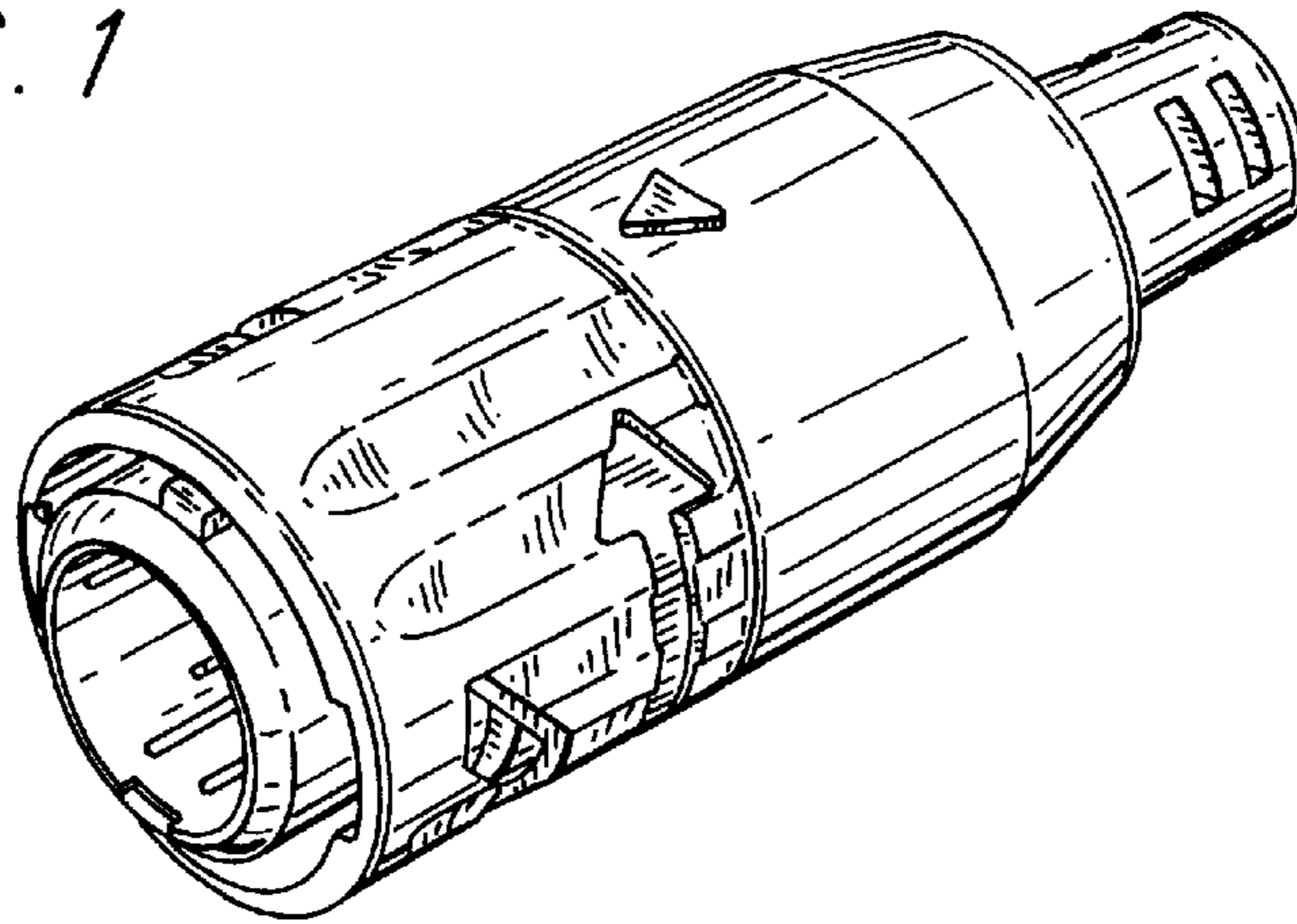


FIG. 2

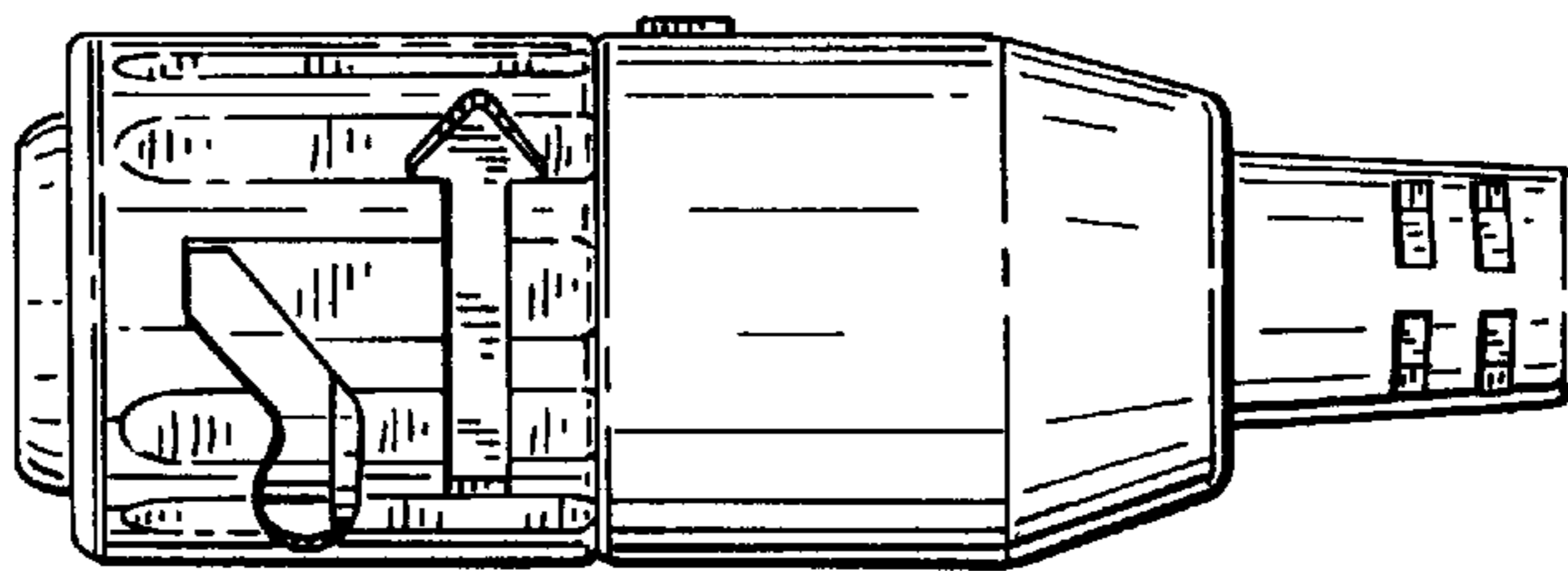


FIG. 3

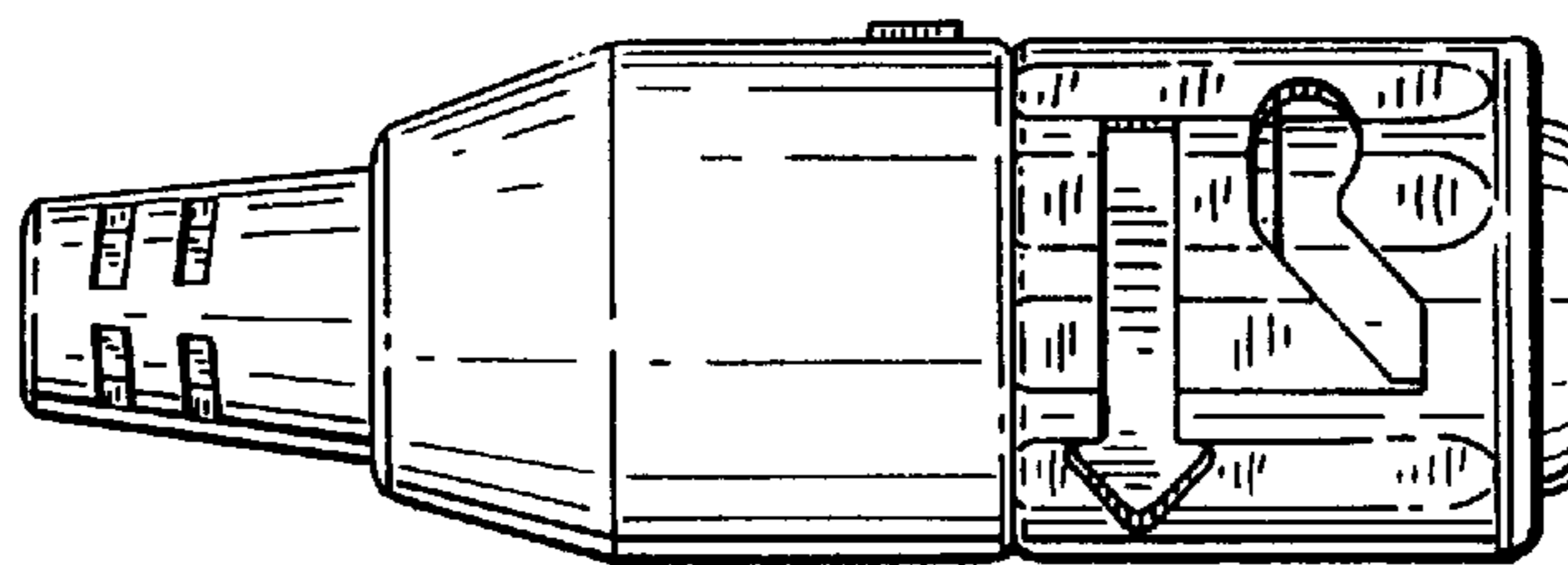


FIG. 4

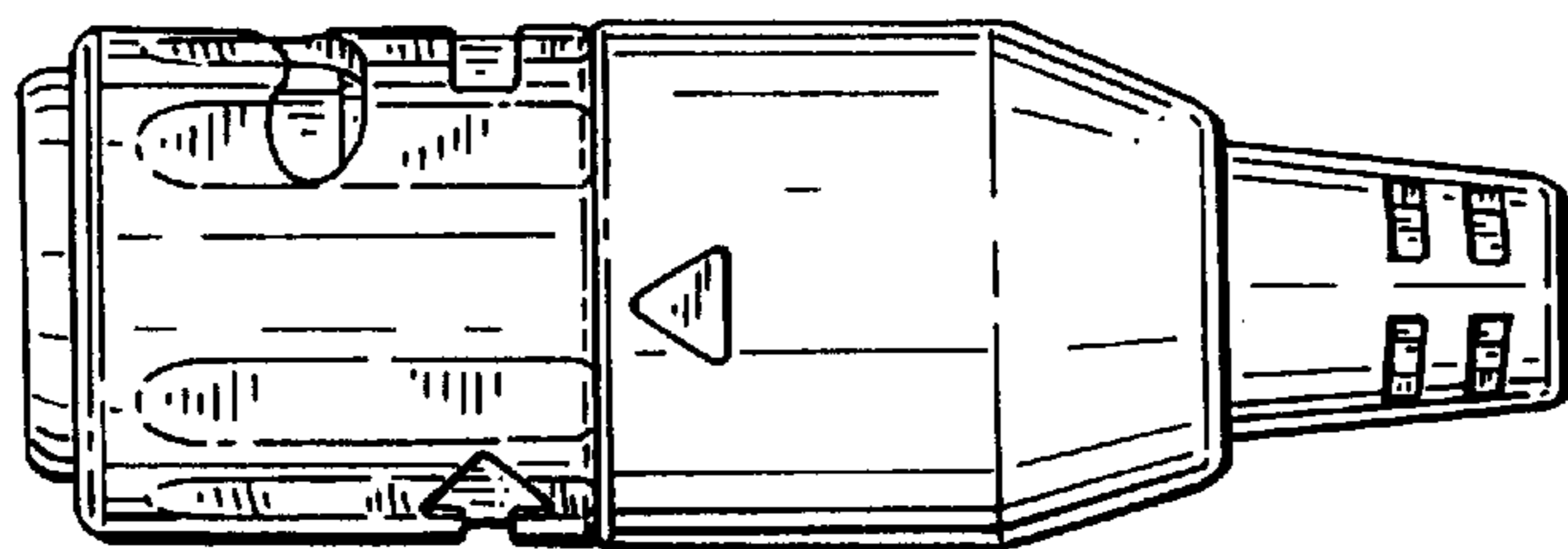


FIG. 5

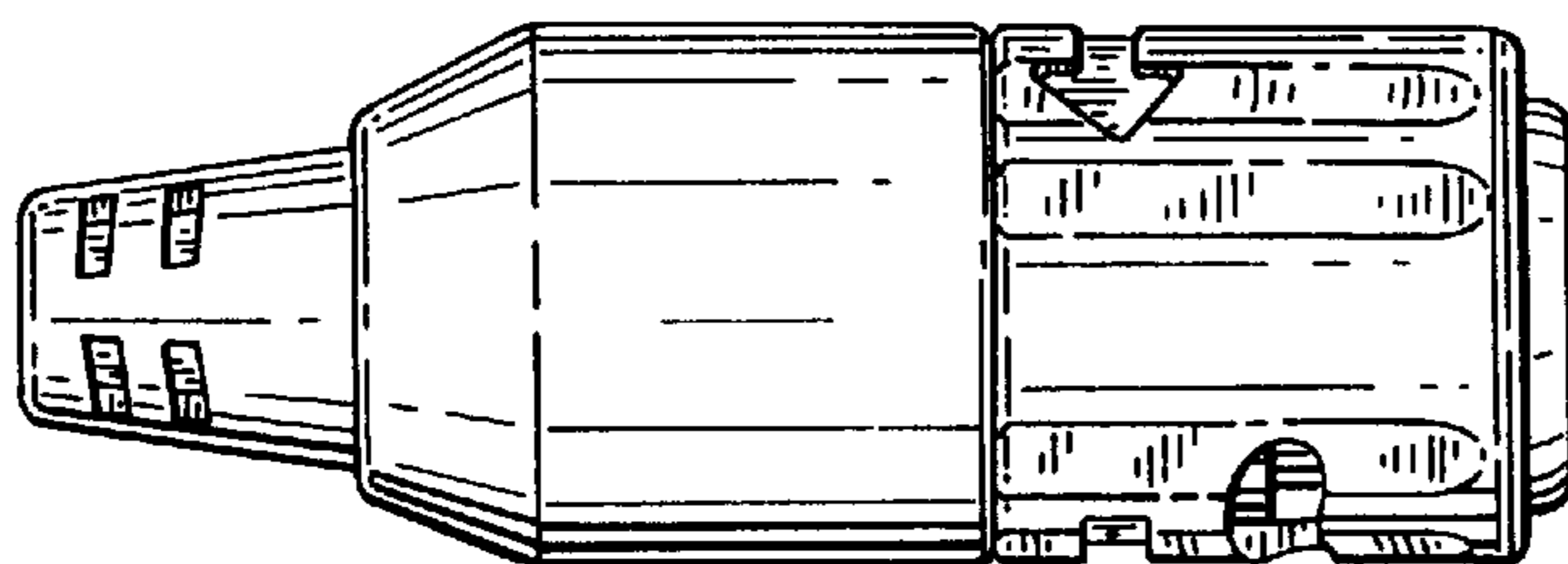


FIG. 6

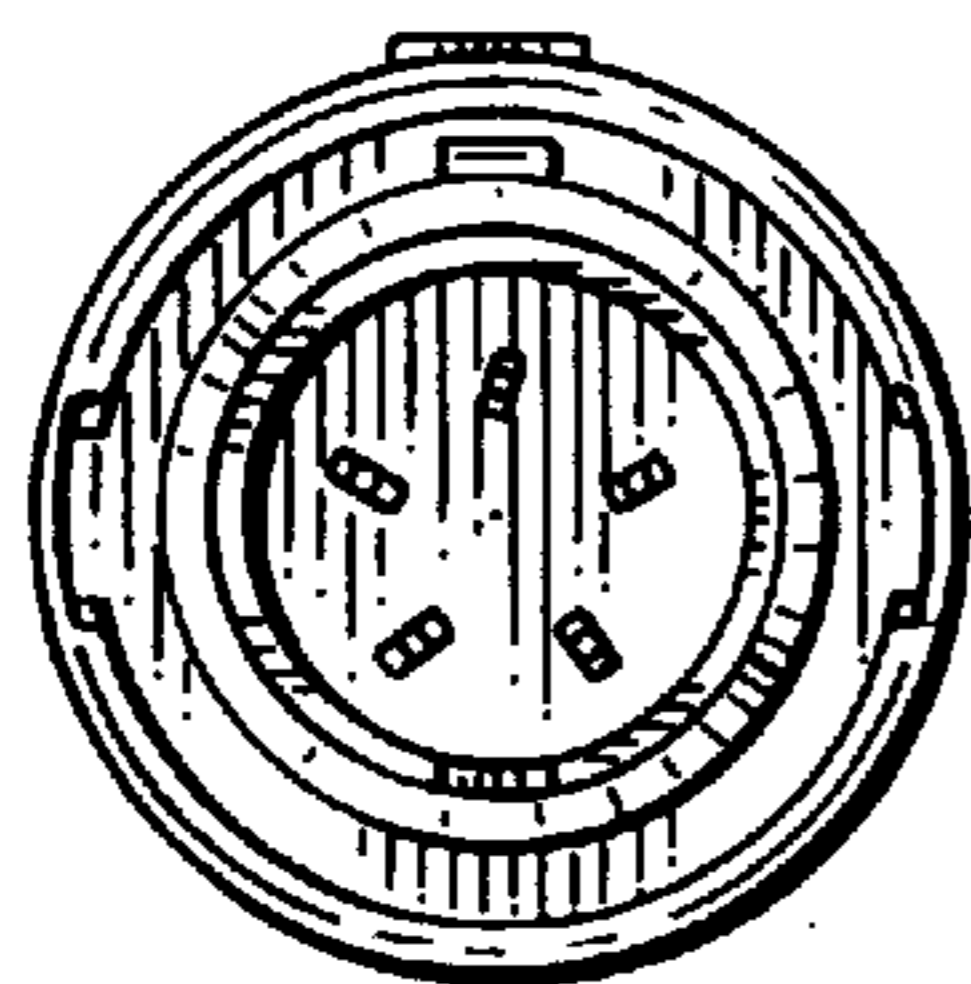


FIG. 7

