



US00D412882S

# United States Patent [19] Lundgren

[11] Patent Number: Des. 412,882

[45] Date of Patent: \*\* Aug. 17, 1999

[54] CLAMPING PLATE FOR LOAD CARRIER FOOT

[75] Inventor: Anders Lundgren, Grimsås, Sweden

[73] Assignee: Industri AB Thule, Hillerstorp, Sweden

[\*\*] Term: 14 Years

[21] Appl. No.: 29/042,885

[22] Filed: Aug. 21, 1995

[30] Foreign Application Priority Data

Jun. 15, 1995 [SE] Sweden ..... 95-1222

[51] LOC (6) Cl. .... 12-16

[52] U.S. Cl. .... D12/414

[58] Field of Search ..... D12/414, 400; 224/309, 315-317, 322-329, 331; 296/37.7

[56] References Cited

U.S. PATENT DOCUMENTS

D. 276,989 1/1985 Whitney ..... D12/414

D. 283,118 3/1986 Eklund ..... D12/414  
D. 294,340 2/1988 Robson ..... D12/414  
D. 299,913 2/1989 Arvidsson ..... D12/414  
D. 300,913 5/1989 Kamaya ..... D12/223  
4,540,450 9/1985 Galleon et al. .... 224/331

Primary Examiner—Melody N. Brown  
Attorney, Agent, or Firm—Royston, Rayzor, Vickery, Novak & Druce

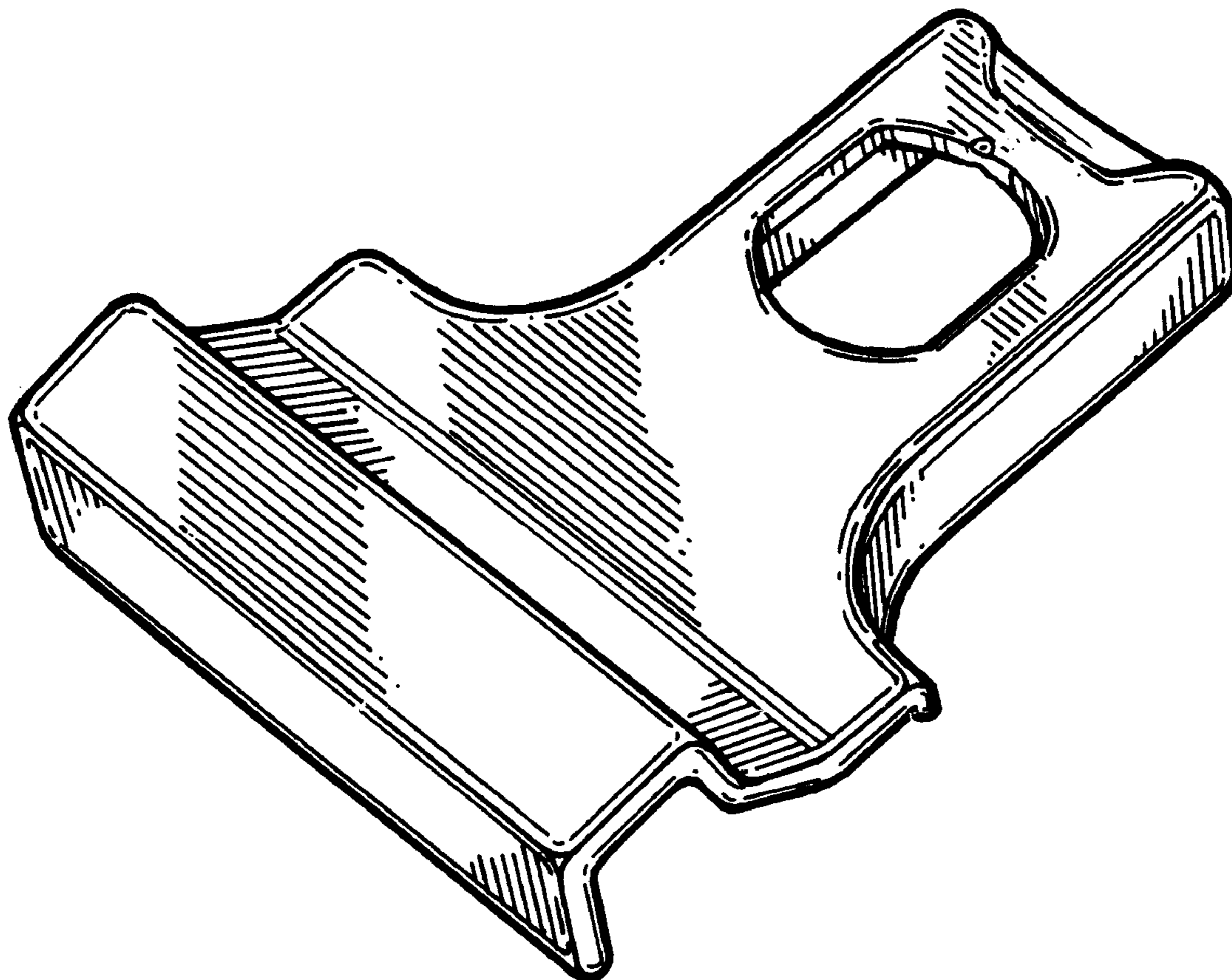
[57] CLAIM

The ornamental design for a clamping plate for a load carrier foot, as shown and described.

DESCRIPTION

FIG. 1 is a front perspective view of a clamping plate for a load carrier foot according to my new design; FIG. 2 is a rear perspective view thereof; FIG. 3 is a front view thereof; FIG. 4 is a back view thereof; FIG. 5 is a top view thereof; FIG. 6 is a bottom view thereof; and, FIG. 7 is a left side view thereof.

1 Claim, 2 Drawing Sheets



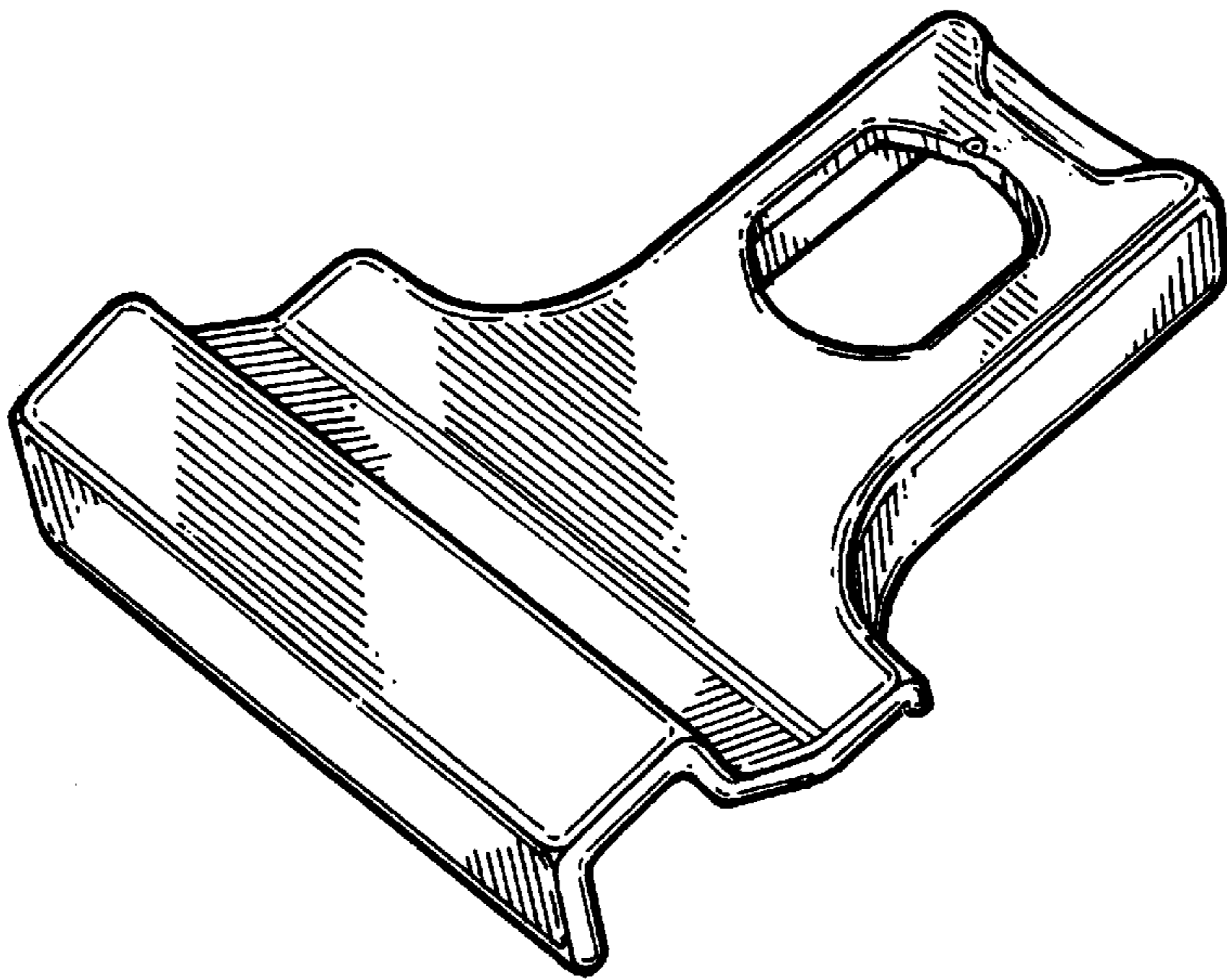


FIG. 1

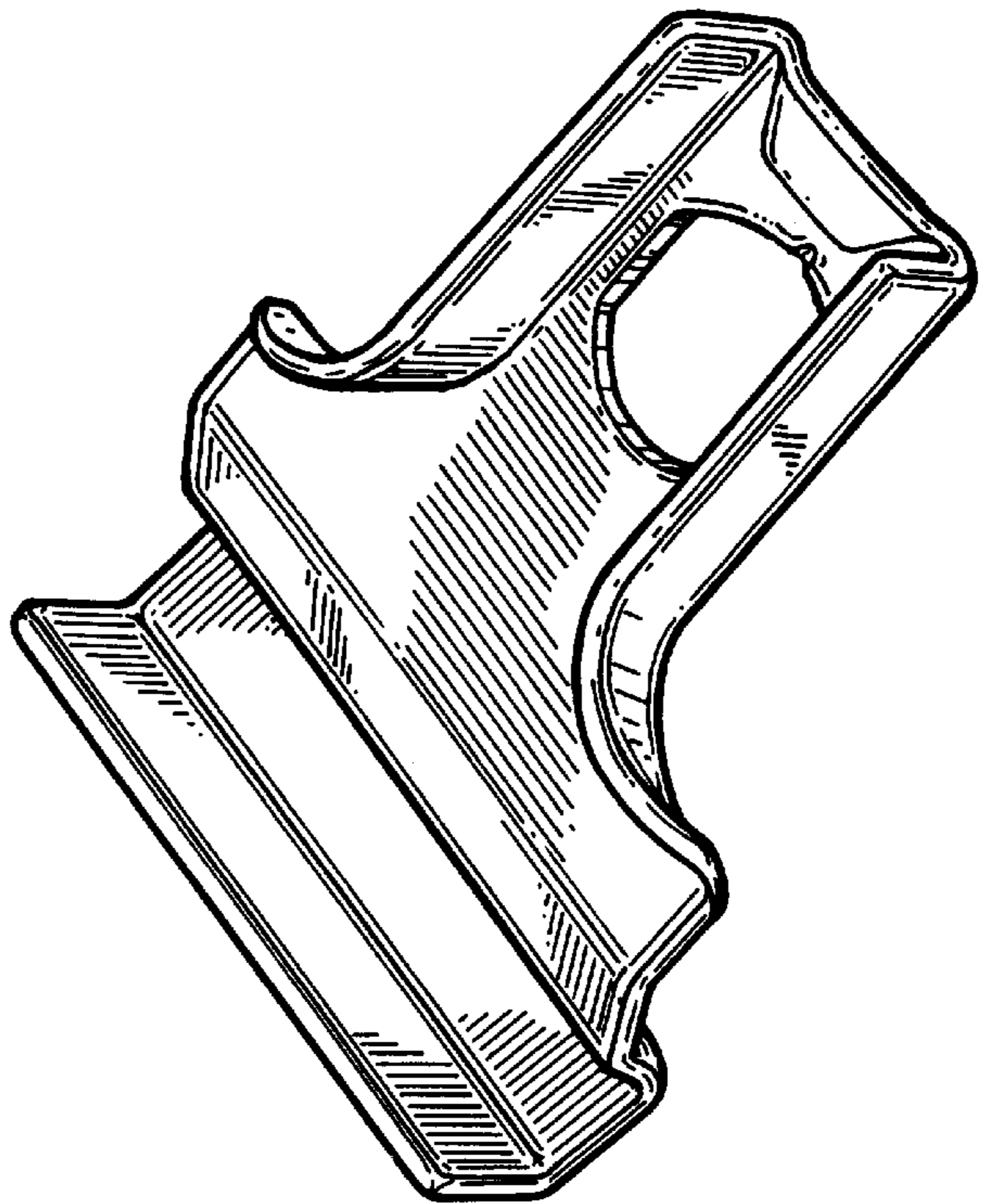


FIG. 2

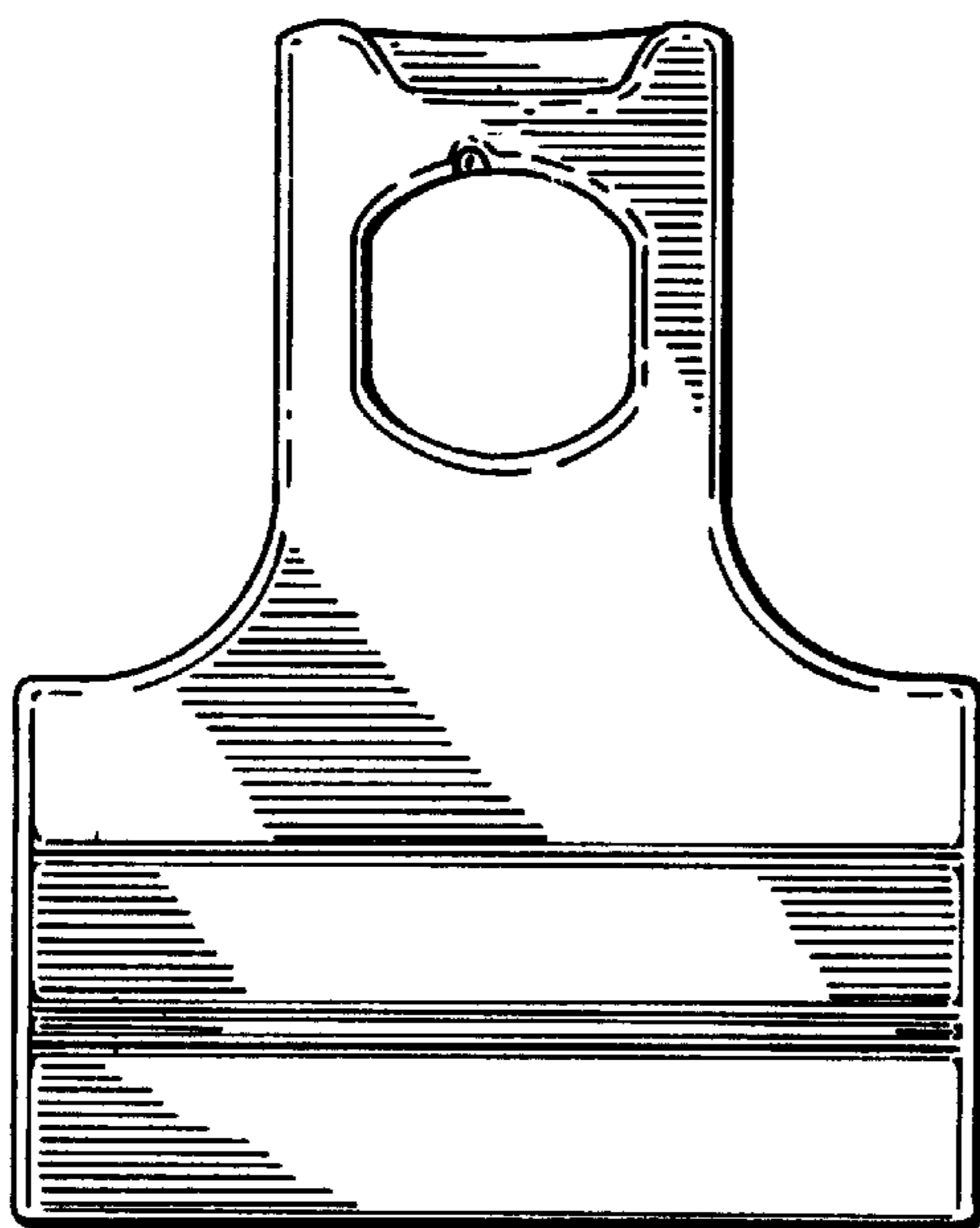


FIG. 3

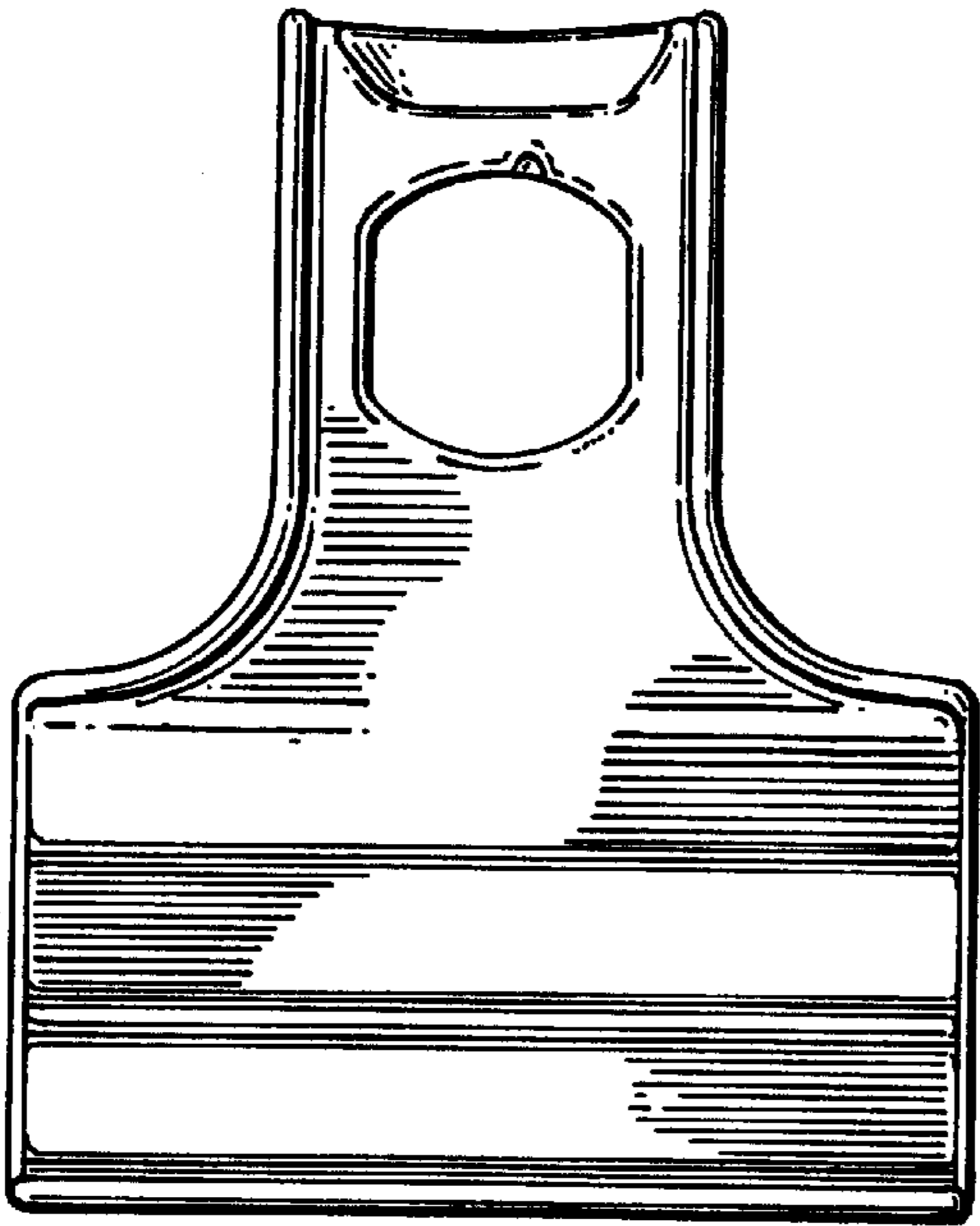


FIG. 4

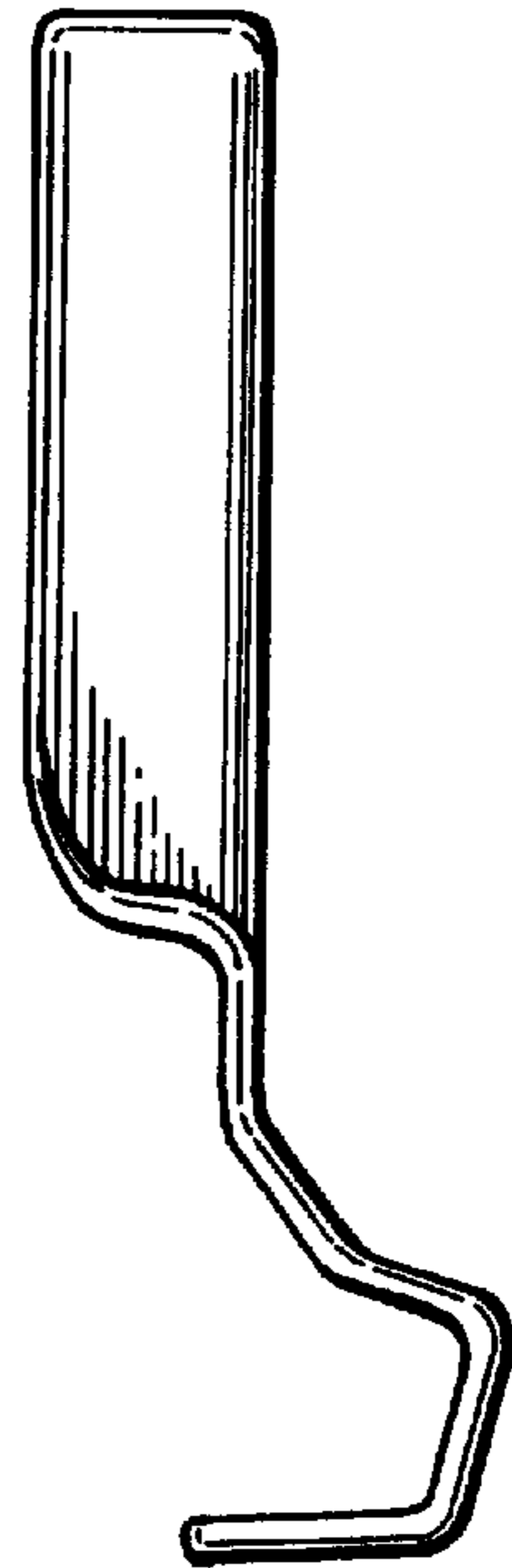


FIG. 7

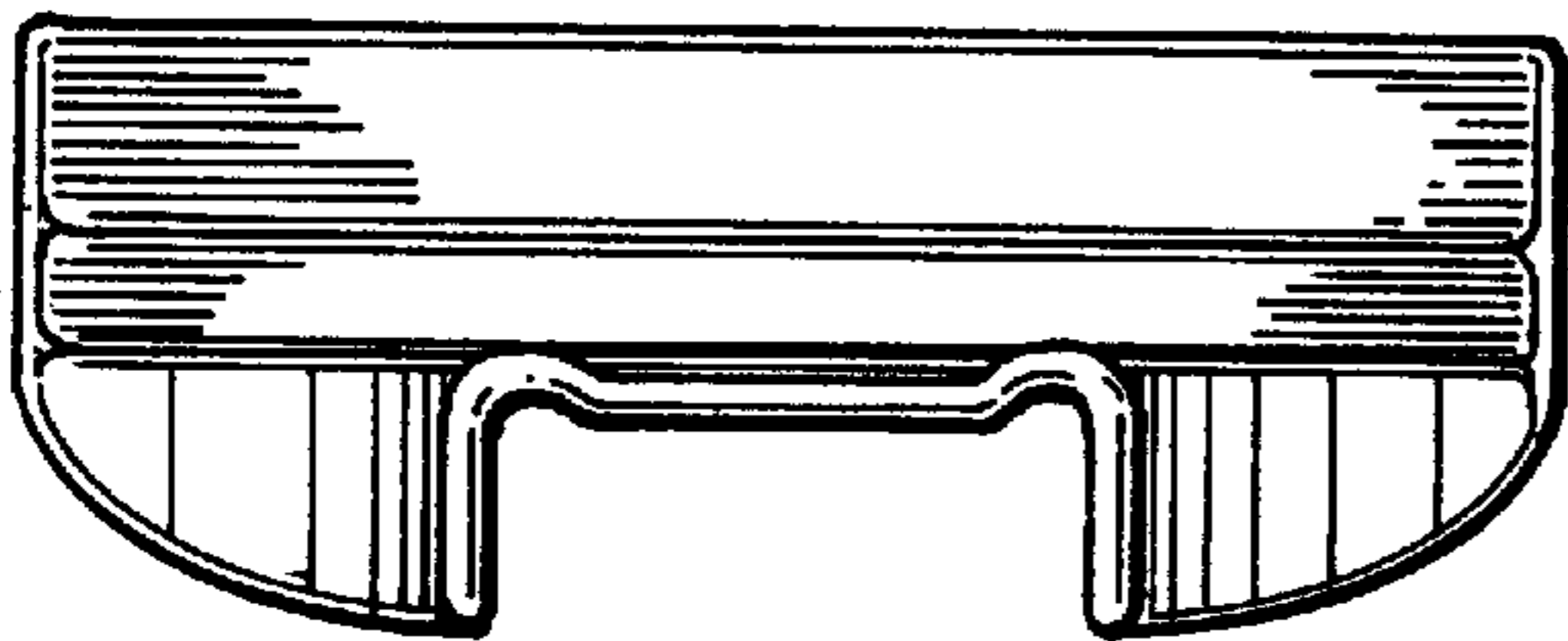


FIG. 5

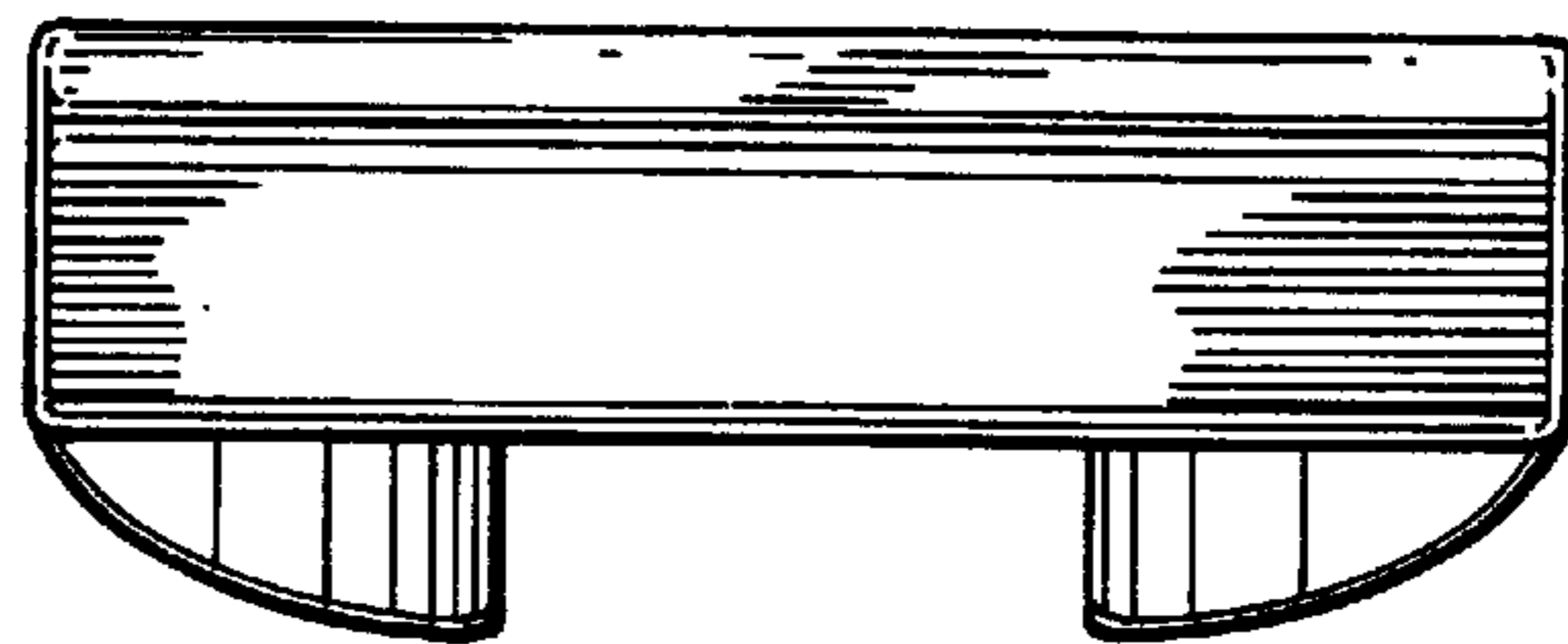


FIG. 6