



US00D412878S

United States Patent [19]
Svensson

[11] **Patent Number: Des. 412,878**

[45] **Date of Patent: ** Aug. 17, 1999**

[54] **FOOT STEP FOR A TRUCK**

[75] Inventor: **Johan Svensson**, Eskilstuna, Sweden

[73] Assignee: **Volvo Wheel Loaders AB**, Eskilstuna, Sweden

[**] Term: **14 Years**

[21] Appl. No.: **29/094,694**

[22] Filed: **Oct. 7, 1998**

[30] **Foreign Application Priority Data**

Apr. 9, 1998 [SE] Sweden 98-0809

[51] **LOC (6) Cl.** **12-16**

[52] **U.S. Cl.** **D12/203**

[58] **Field of Search** D12/203; D25/62,
D25/68, 69; D32/35, 46, 47; 280/163-164.2,
166; 182/90-92

[56] **References Cited**

U.S. PATENT DOCUMENTS

D. 54,285 12/1919 Spiro D12/203

D. 58,605	8/1921	Livingston	D12/203
D. 239,378	3/1976	Stecker	D12/203
D. 308,356	6/1990	Strahan	D12/203
D. 313,388	1/1991	Dale	D12/203
D. 316,394	4/1991	Carr	D12/203
D. 340,904	11/1993	Bevier	D12/203
2,933,750	4/1960	Scott	280/164.2

Primary Examiner—Doris V. Coles
Assistant Examiner—Stacia Sinuik
Attorney, Agent, or Firm—Young & Thompson

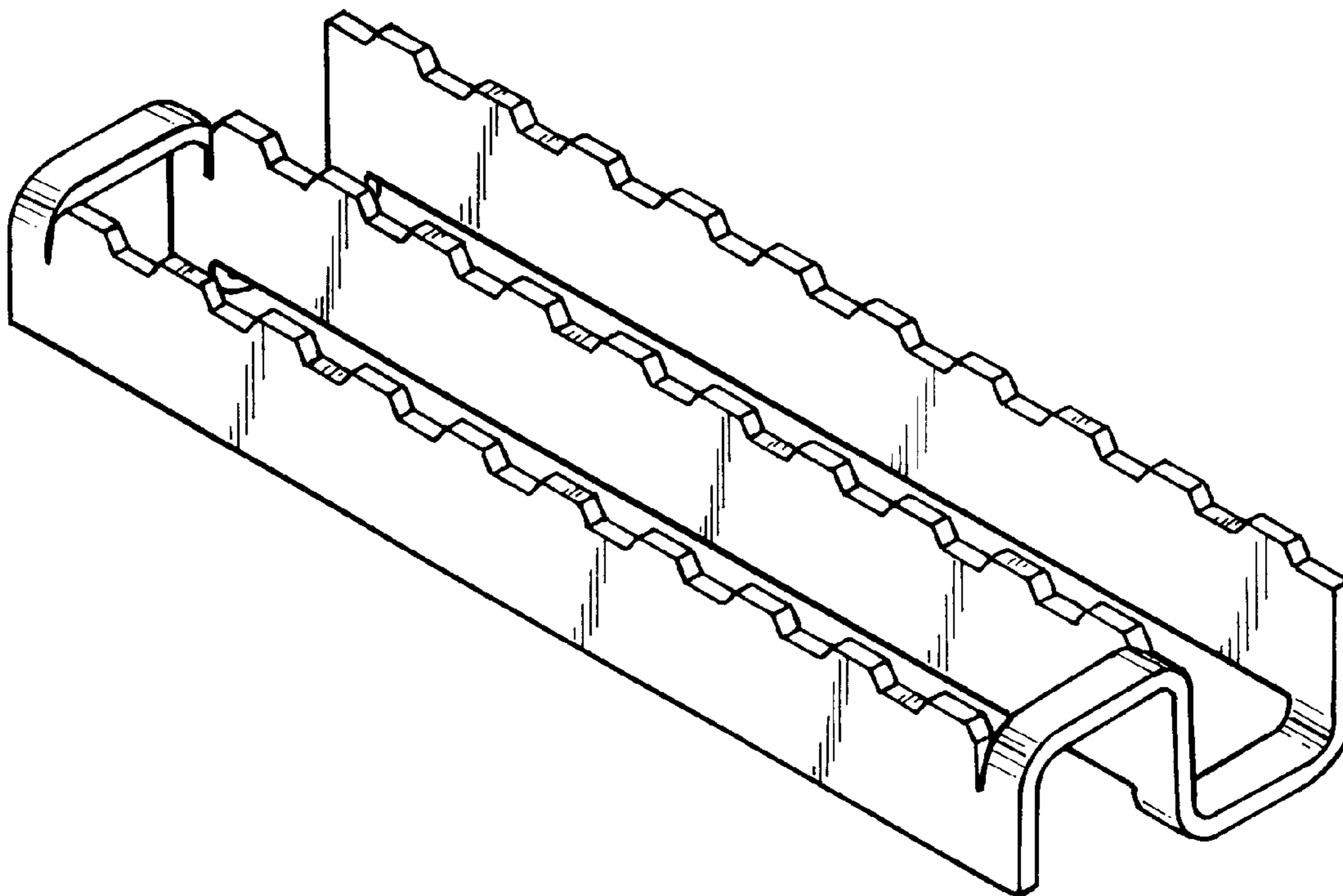
[57] **CLAIM**

The ornamental design for a foot step for a truck, as shown and described.

DESCRIPTION

FIG. 1 is a left perspective view of a foot step for a truck, showing my new design;
FIG. 2 is a right side elevational view thereof;
FIG. 3 is an end elevational view thereof; which is identical in appearance to the opposite side thereof; and,
FIG. 4 is a right side perspective view thereof, seen from the bottom of that shown in FIG. 1.

1 Claim, 2 Drawing Sheets



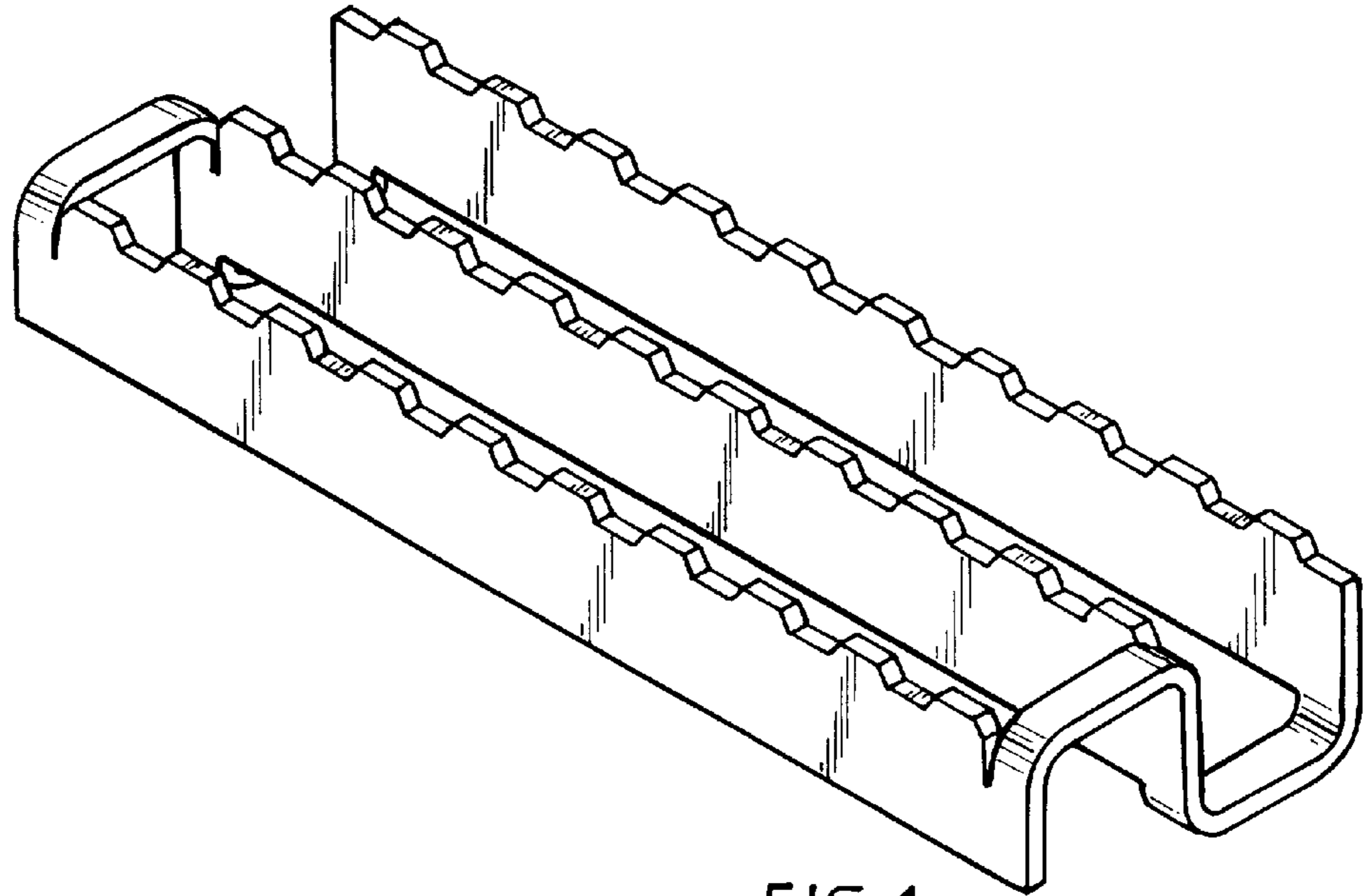


FIG. 1

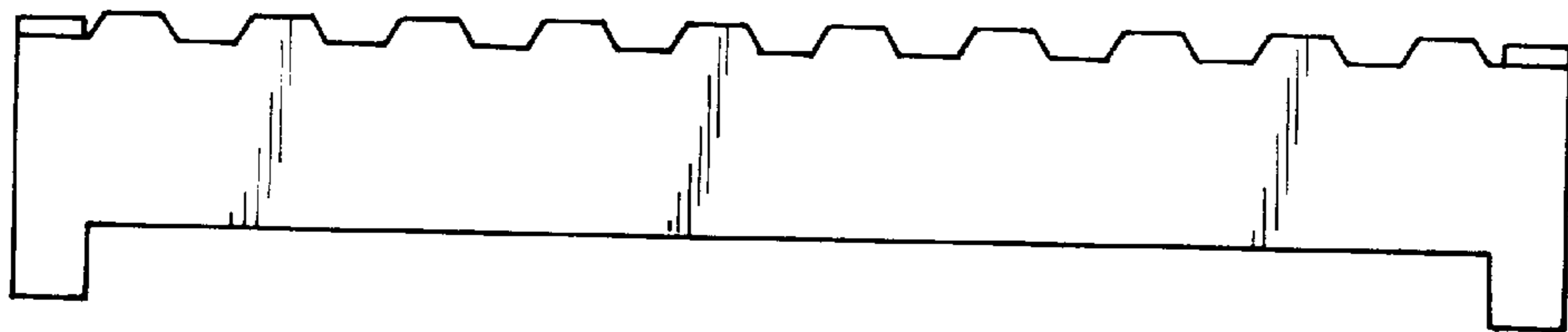


FIG. 2

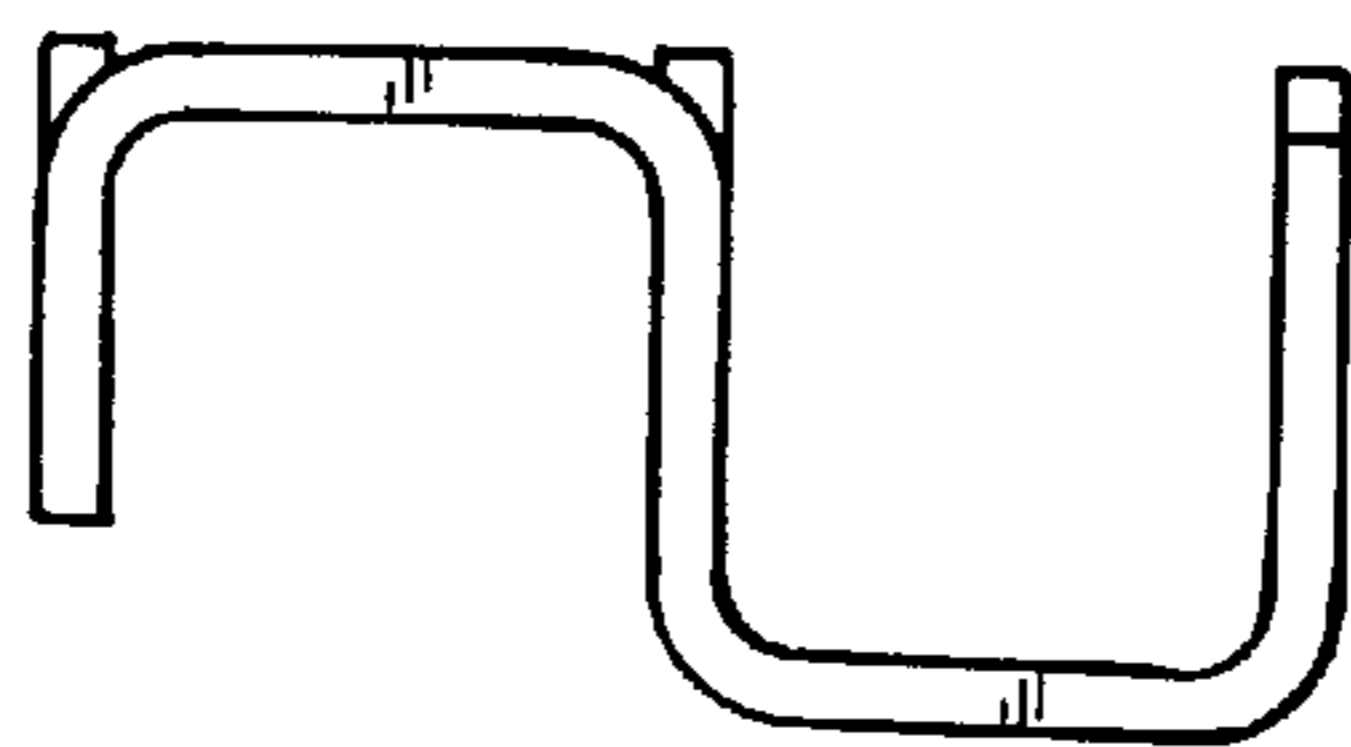


FIG. 3

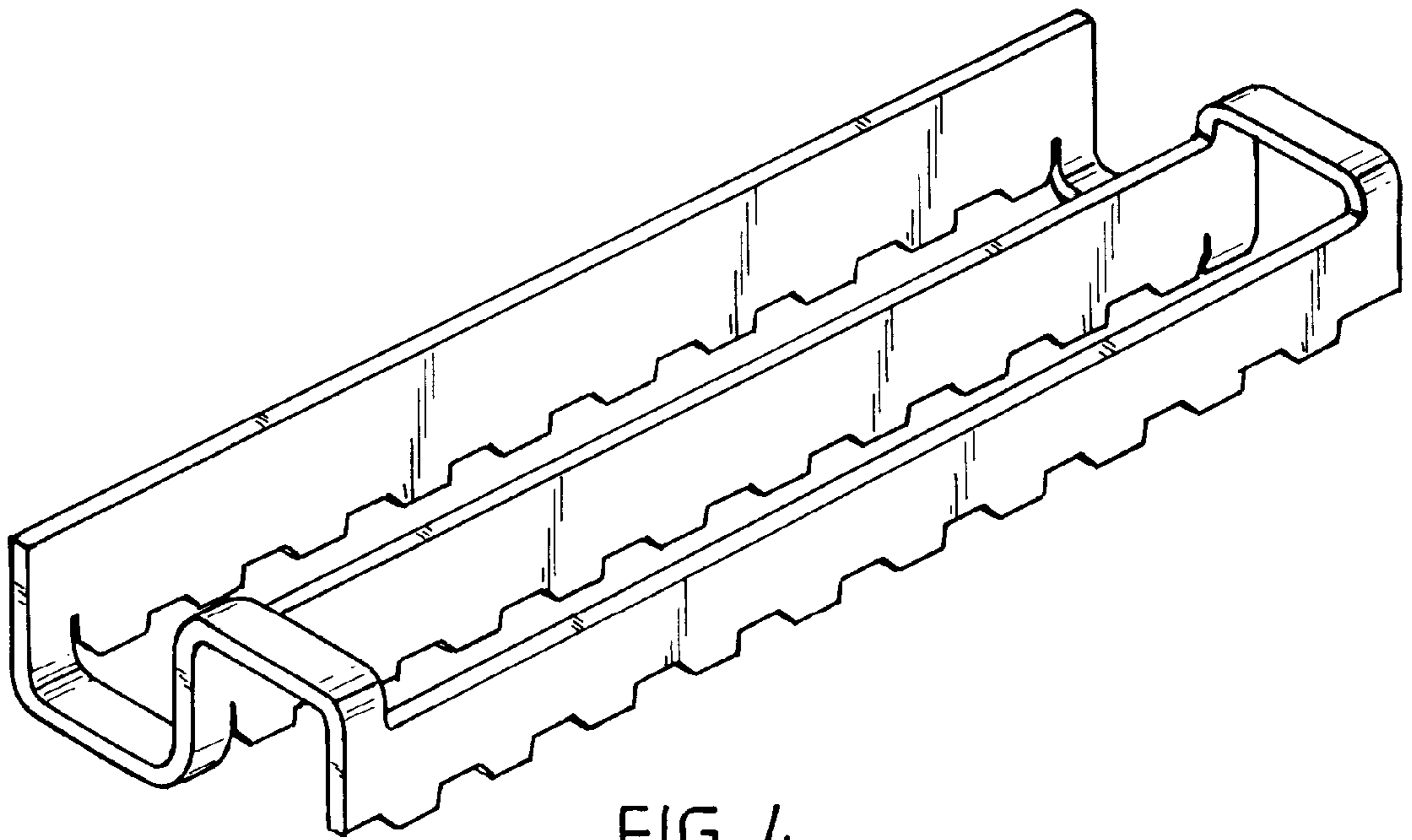


FIG. 4