



US00D412876S

# United States Patent [19] Crecelius

[11] Patent Number: Des. 412,876

[45] Date of Patent: \*\* Aug. 17, 1999

[54] LICENSE PLATE HOLDER

[76] Inventor: Kevin Lee Crecelius, 404 Bayless Ave.,  
Saint Louis, Mo. 63125

[\*\*] Term: 14 Years

[21] Appl. No.: 29/083,282

[22] Filed: Feb. 9, 1998

[51] LOC (6) Cl. .... 12-16

[52] U.S. Cl. .... D12/193

[58] Field of Search ..... D12/219, 220;  
40/200, 207, 208, 209, 210, 591; 280/727,  
769; 224/522, 524, 527

[56] **References Cited**

U.S. PATENT DOCUMENTS

D. 308,849	6/1990	Short et al. ....	D12/193
D. 327,915	7/1992	Anderson et al. ....	D20/13
D. 375,452	11/1996	Housser .....	D8/382
D. 396,679	8/1998	Findel, II .....	D12/193
2,656,869	10/1953	Timmons .....	40/209
3,685,188	8/1972	Syversen .....	40/201
4,182,062	1/1980	Krokos et al. ....	40/209

5,012,602	5/1991	Storey .....	40/201
5,392,619	2/1995	Dunaway .....	70/57
5,404,664	4/1995	Brooks et al. ....	40/202

Primary Examiner—Robert M. Spear  
Attorney, Agent, or Firm—David L. Volk

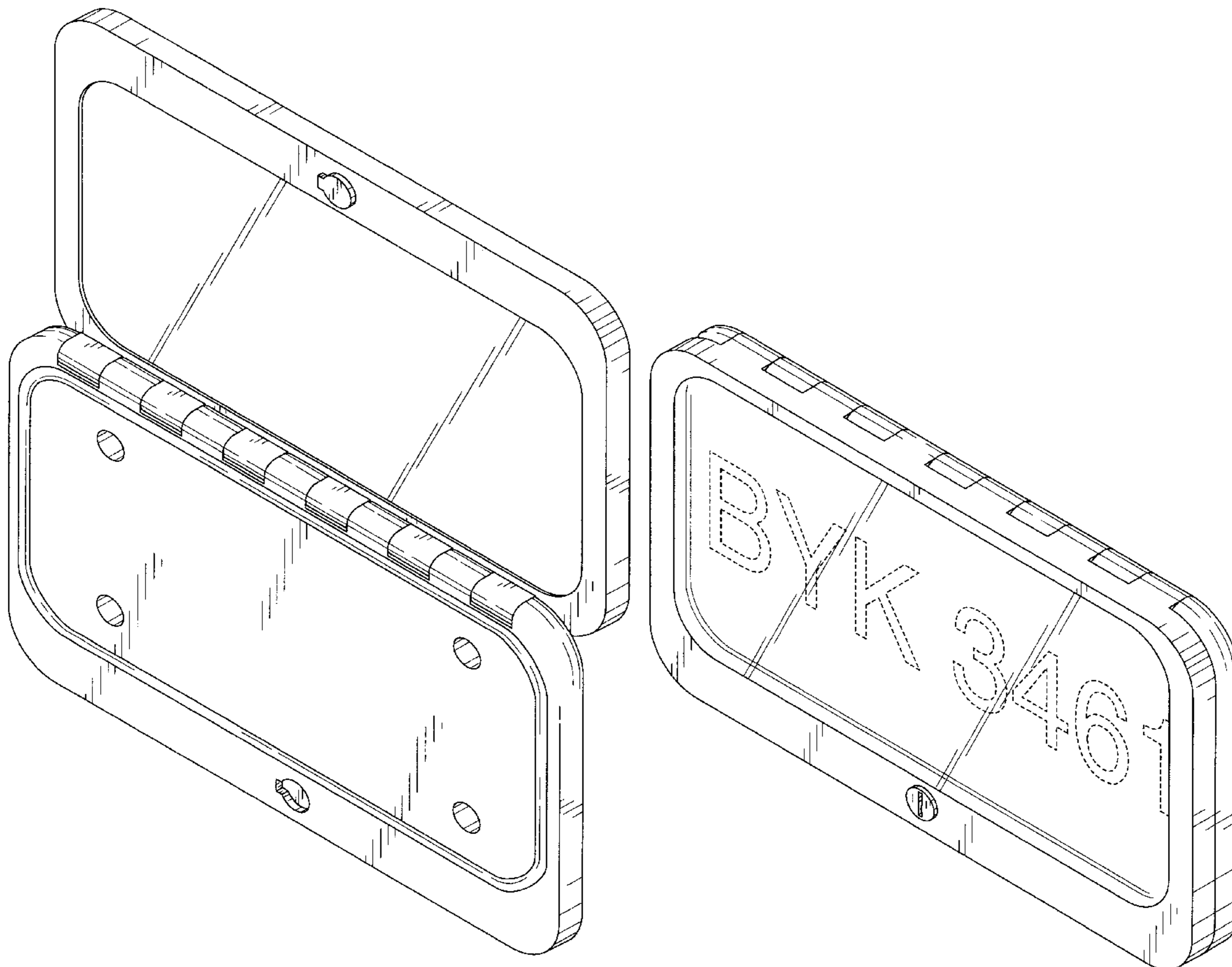
[57] **CLAIM**

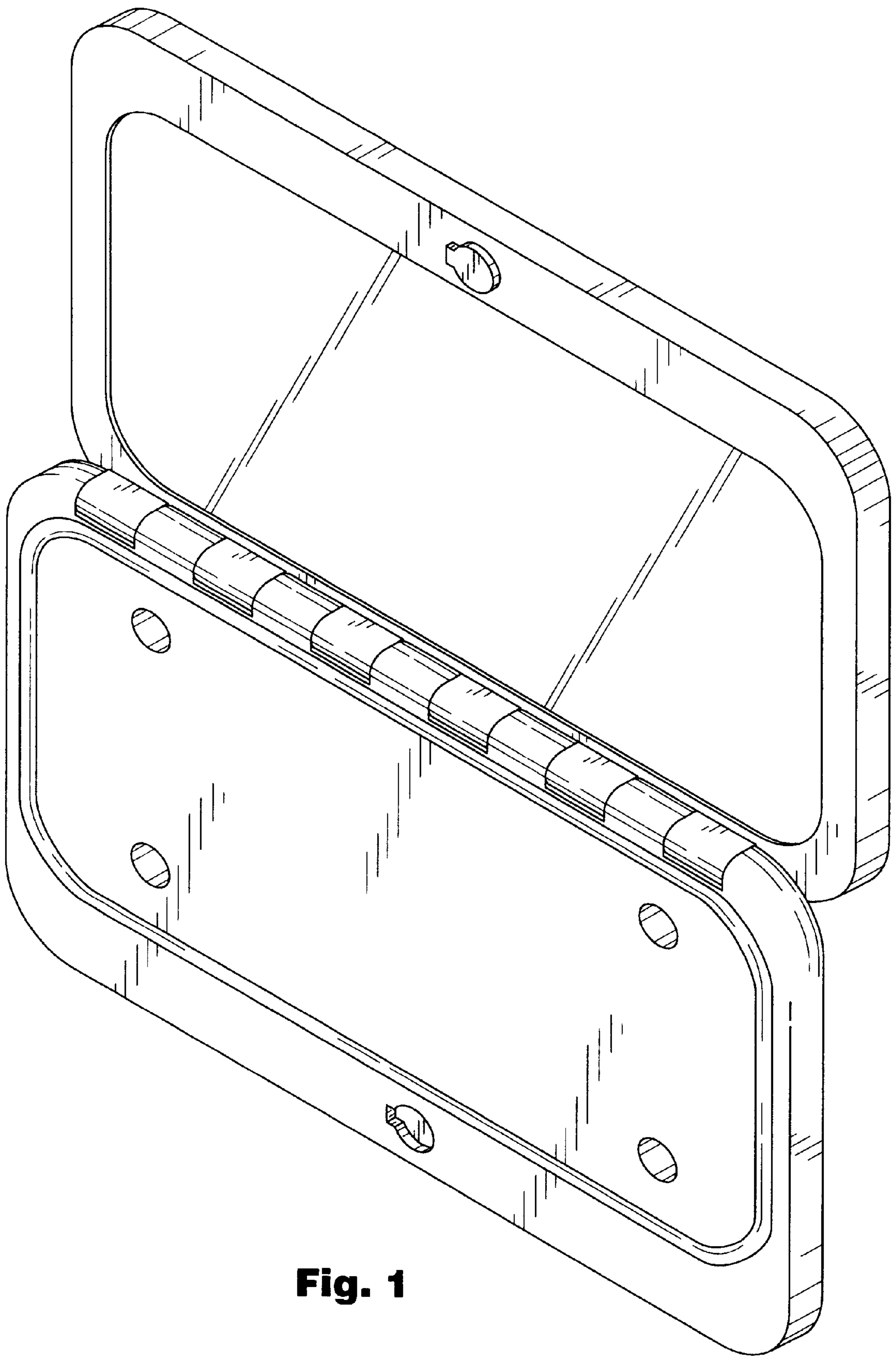
The ornamental design for a license plate holder, as shown and described.

**DESCRIPTION**

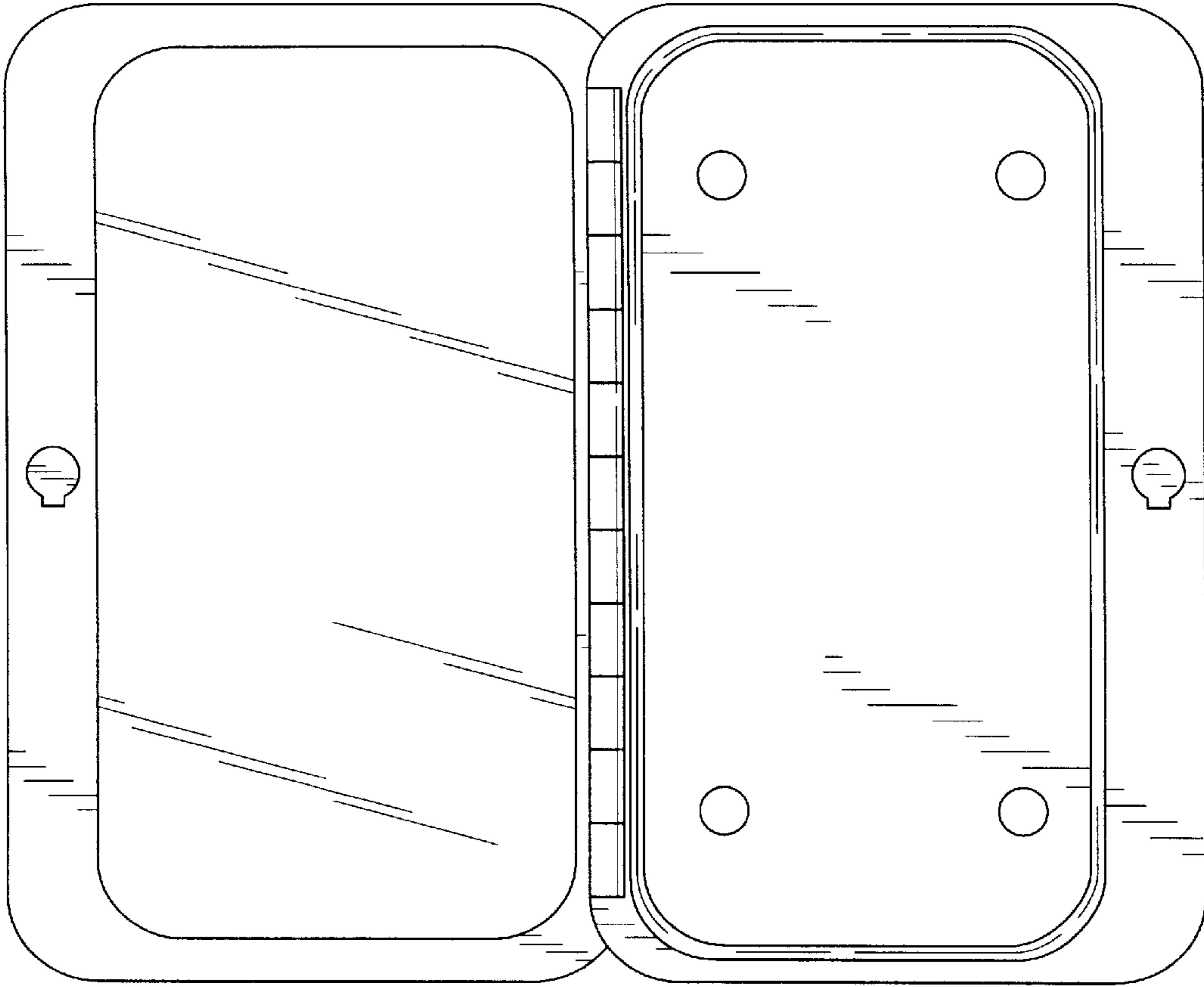
FIG. 1 is a perspective view of a license plate holder showing my new design; FIG. 2 is a right side elevational view thereof; FIG. 3 is a left side elevational view thereof; FIG. 4 is a front elevational view thereof; FIG. 5 is a rear elevational view thereof; FIG. 6 is a top plan view thereof; FIG. 7 is a bottom plan view thereof; and, FIG. 8 is a perspective view thereof, shown closed. The broken line illustration shows environmental structure and forms no part of the claimed invention. Undisclosed surfaces are plain and unornamented.

1 Claim, 4 Drawing Sheets

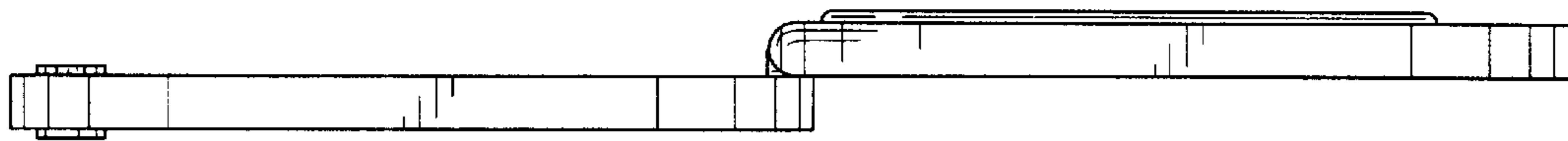




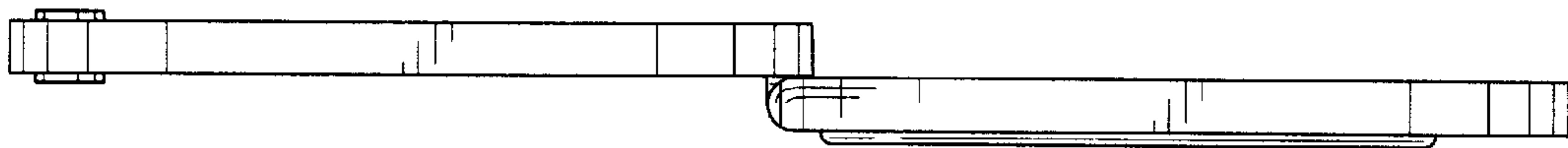
**Fig. 1**



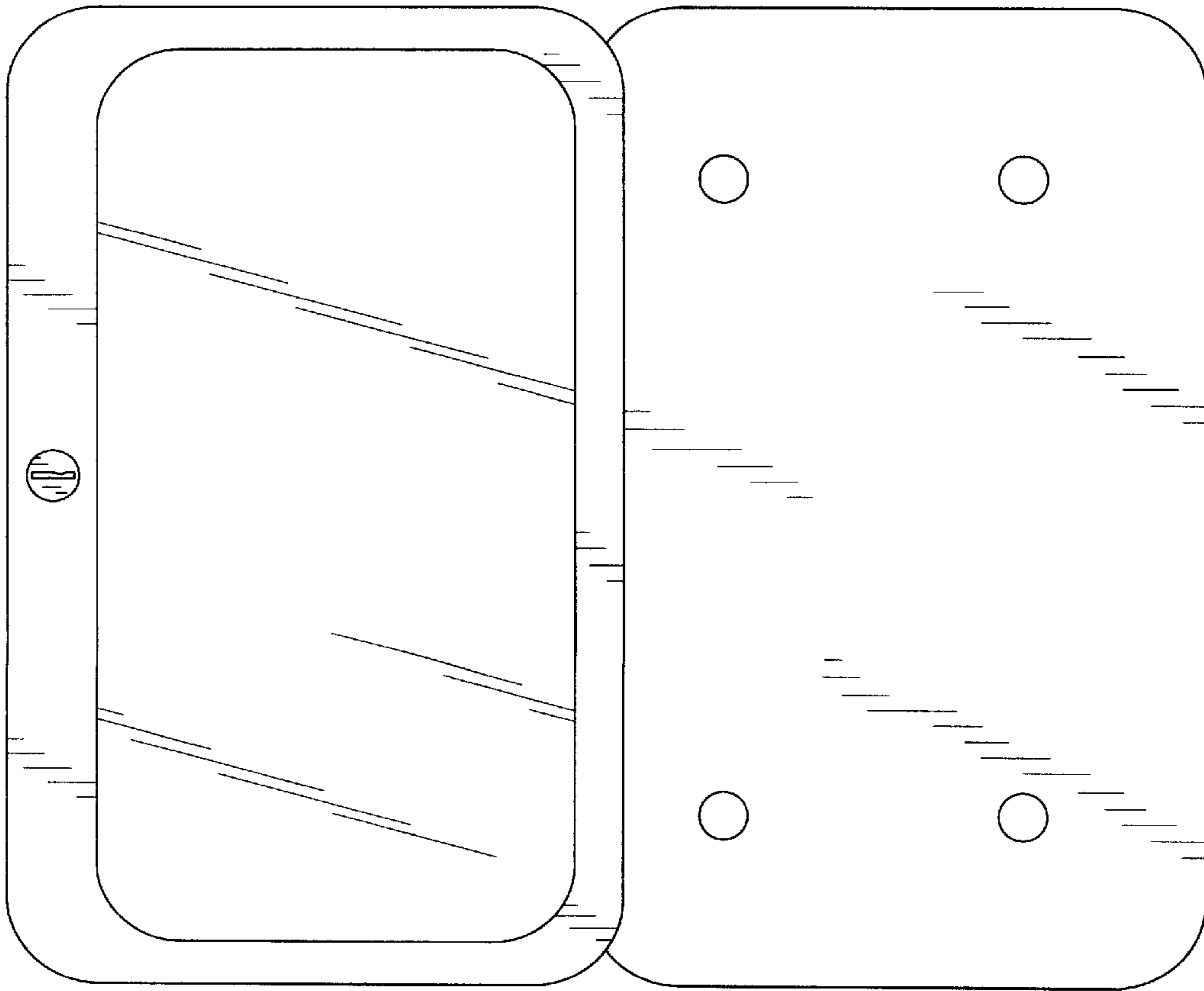
**Fig. 4**



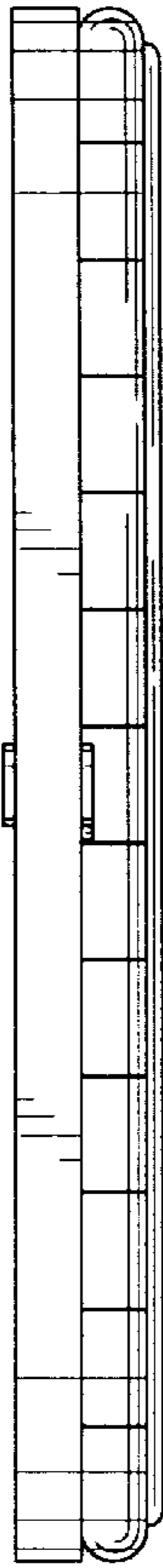
**Fig. 3**



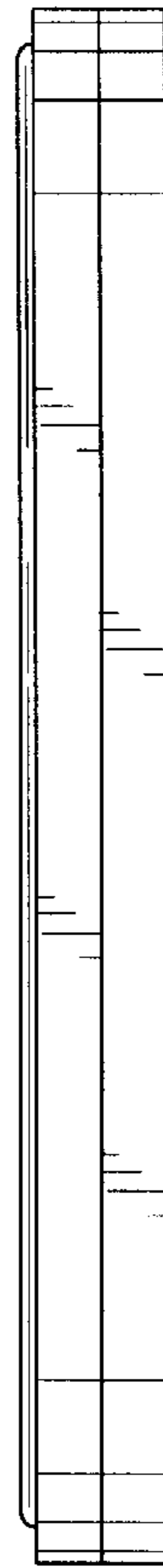
**Fig. 2**



**Fig. 5**



**Fig. 6**



**Fig. 7**



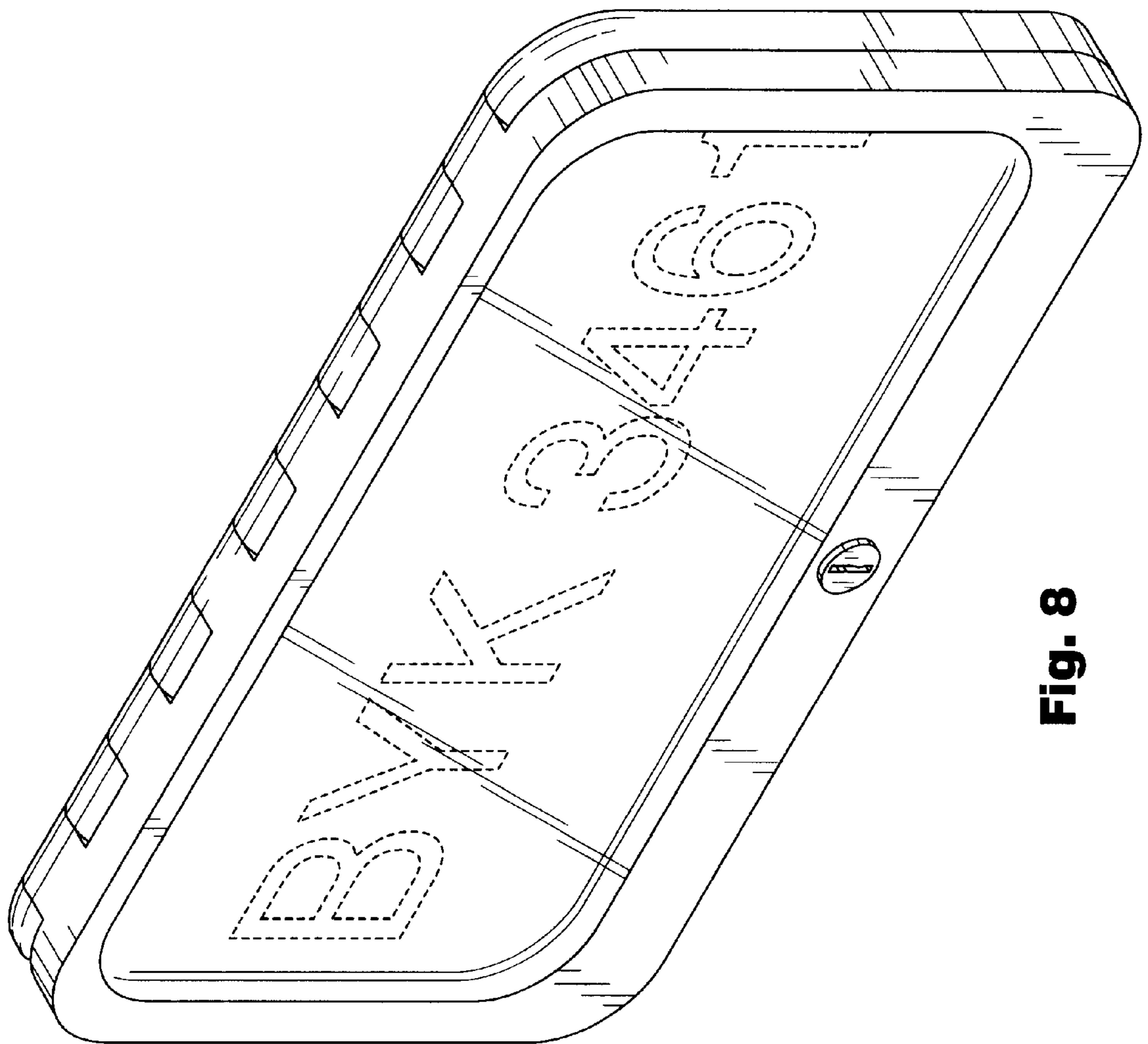


Fig. 8