



US00D412873S

# United States Patent [19]

[11] **Patent Number: Des. 412,873**

**Rooney et al.**

[45] **Date of Patent: \*\* Aug. 17, 1999**

[54] **TIRE TREAD DESIGN**

[75] Inventors: **Timothy Michael Rooney**, Munroe Falls; **Paul Bryan Maxwell**, Kent; **Stephanie Carol Brown**, Akron; **Michael Alois Kolowski**, Mogadore, all of Ohio

D. 358,792 5/1995 Guidry ..... D12/136  
D. 363,907 11/1995 Bonko ..... D12/151  
D. 389,104 1/1998 Morgan ..... D12/147  
D. 389,791 1/1998 Himuro ..... D12/147

**OTHER PUBLICATIONS**

Co-Pending patent application our ref. DN1998138 filed in the PTO on Aug. 26, 1998.

Co-Pending patent application our ref.: DN1998139 filed in the PTO on Sep. 18, 1998.

Co-Pending patent application our ref: DN1998140 filed in the PTO on Sep. 18, 1998.

Co-Pending patent application our ref: DN1998141 filed in the PTO on Sep. 18, 1998.

[73] Assignee: **The Goodyear Tire & Rubber Company**, Akron, Ohio

*Primary Examiner*—Robert M. Spear  
*Attorney, Agent, or Firm*—David L. King

[\*\*] Term: **14 Years**

[21] Appl. No.: **29/096,628**

[22] Filed: **Nov. 17, 1998**

[51] **LOC (6) Cl.** ..... **12-15**

[52] **U.S. Cl.** ..... **D12/147**

[58] **Field of Search** ..... D12/136–152;  
152/209.1, 209.8, 209.9, 209.11, 209.12,  
209.13, 209.16, 209.18, 209.19, 209.21,  
209.28, 900, 901, 902, 903

[57] **CLAIM**

The ornamental design for a tire tread, as shown and described.

**DESCRIPTION**

FIG. 1 is a perspective view of a tire tread showing our new design, it being understood that the pattern repeats uniformly throughout the circumference of the tread;

FIG. 2 is a front elevational view thereof;

FIG. 3 is a side elevational view thereof, the opposite side elevational view being identical thereto; and,

FIG. 4 is an enlarged perspective view.

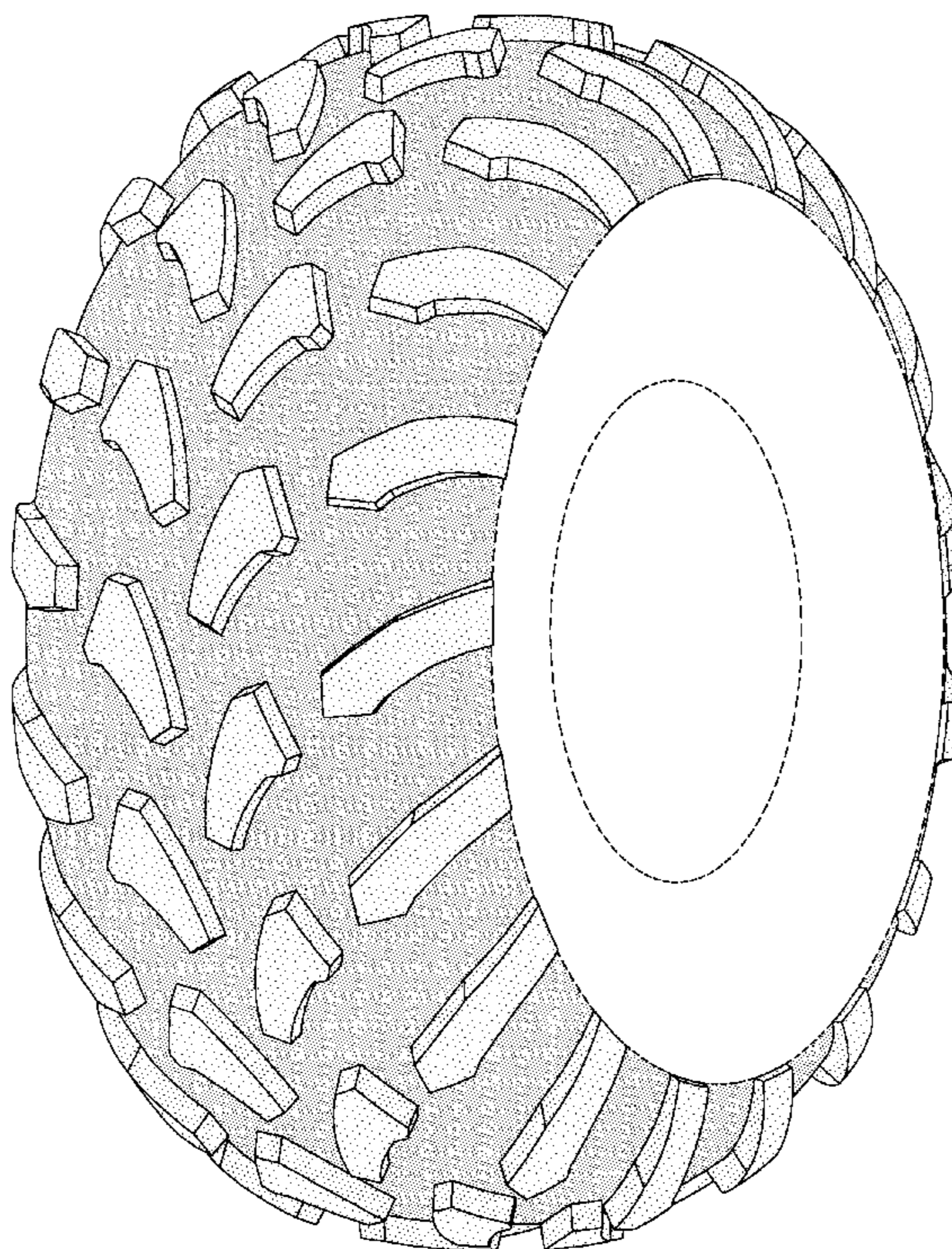
In the drawings, the broken lines defining the inner bead of the sidewall and the peripheral boundary between the tire tread and the sidewall are for illustrative purposes only and form no part of the claimed design.

[56] **References Cited**

**U.S. PATENT DOCUMENTS**

D. 212,520	10/1968	Sangiovanni	.....	D12/152
D. 214,355	6/1969	Sangiovanni	.....	D12/152
D. 219,254	11/1970	San Giovanni	.....	D12/152
D. 221,919	9/1971	Fetty	.....	D12/152
D. 246,364	11/1977	Candiliotis	.....	D12/151
D. 279,891	7/1985	German et al.	.....	D12/146
D. 287,706	1/1987	Takeuchi	.....	D12/146
D. 295,617	5/1988	Sedlack	.....	D12/147
D. 307,880	5/1990	Miller et al.	.....	D12/147
D. 308,038	5/1990	Guidry	.....	D12/146
D. 311,892	11/1990	Croley et al.	.....	D12/147
D. 329,218	9/1992	Ohtsu	.....	D12/147

**1 Claim, 4 Drawing Sheets**



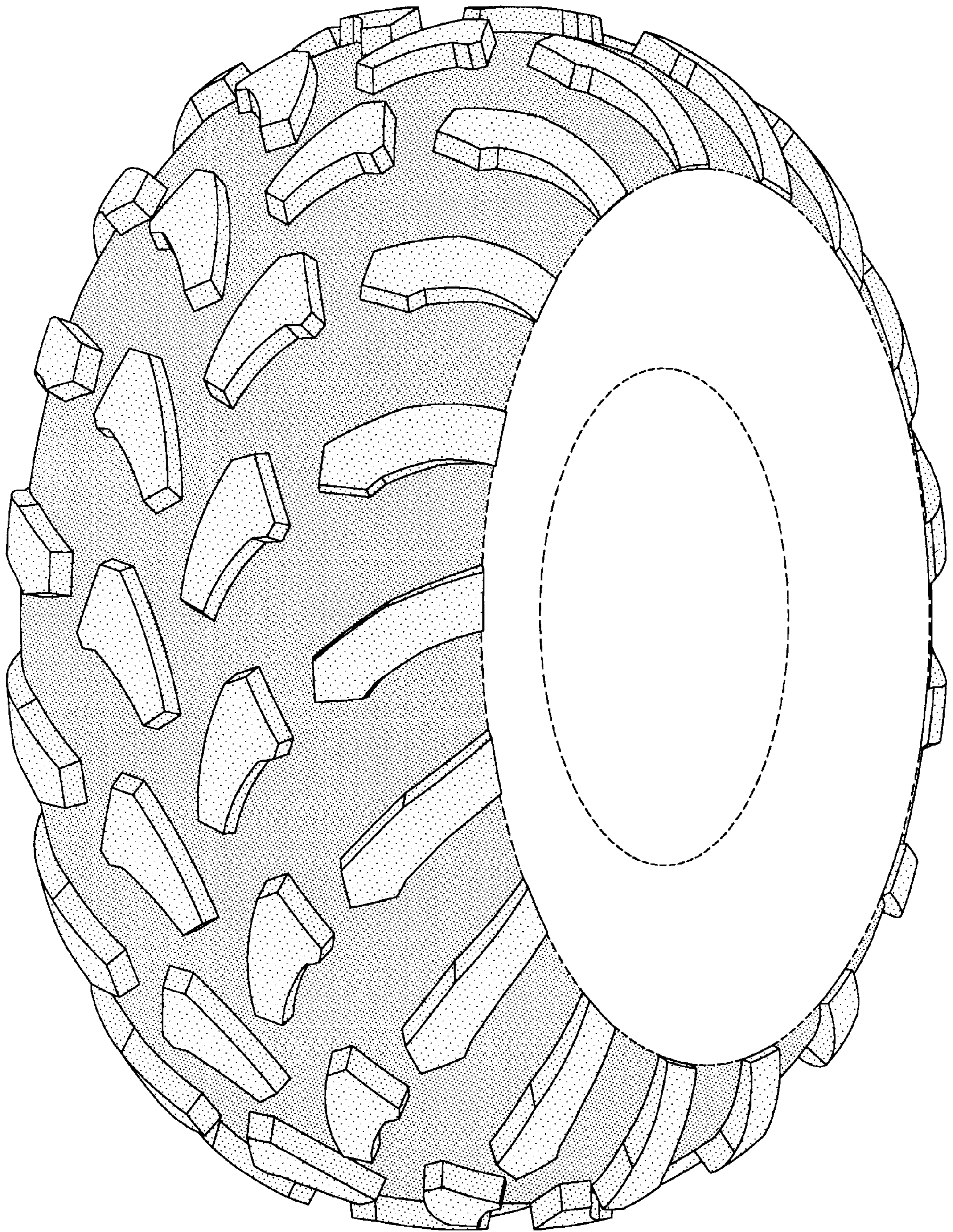


FIG-1

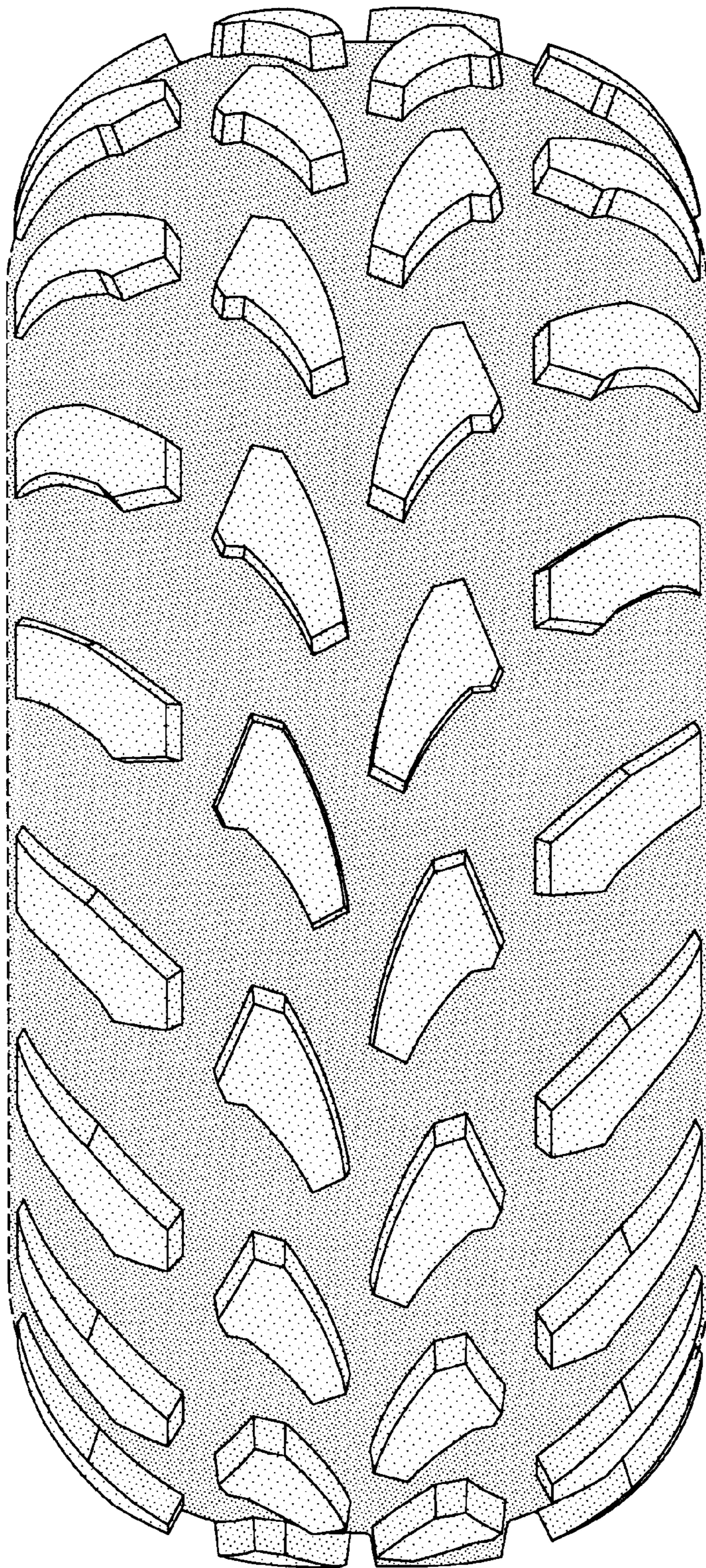


FIG-2

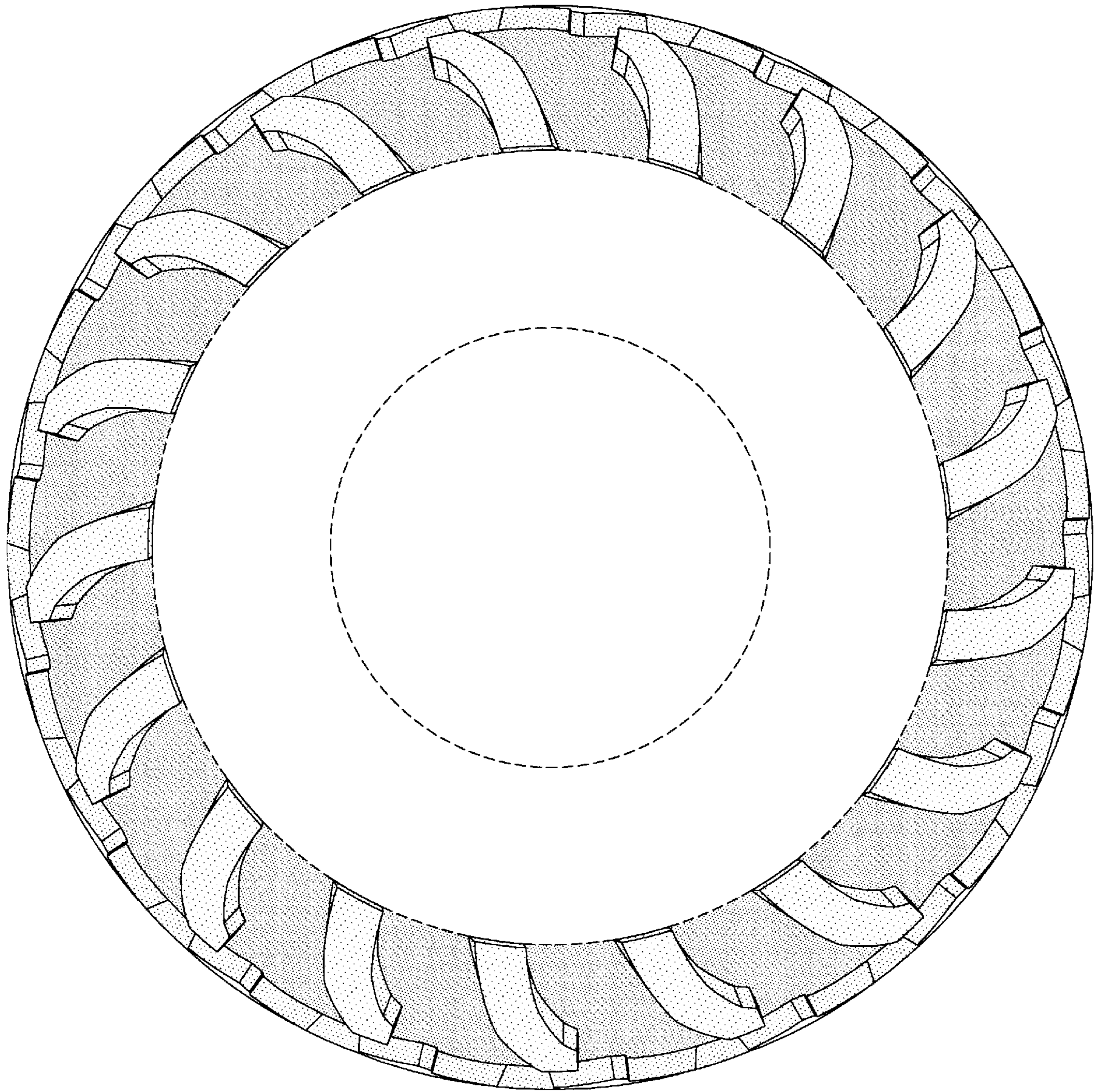


FIG-3

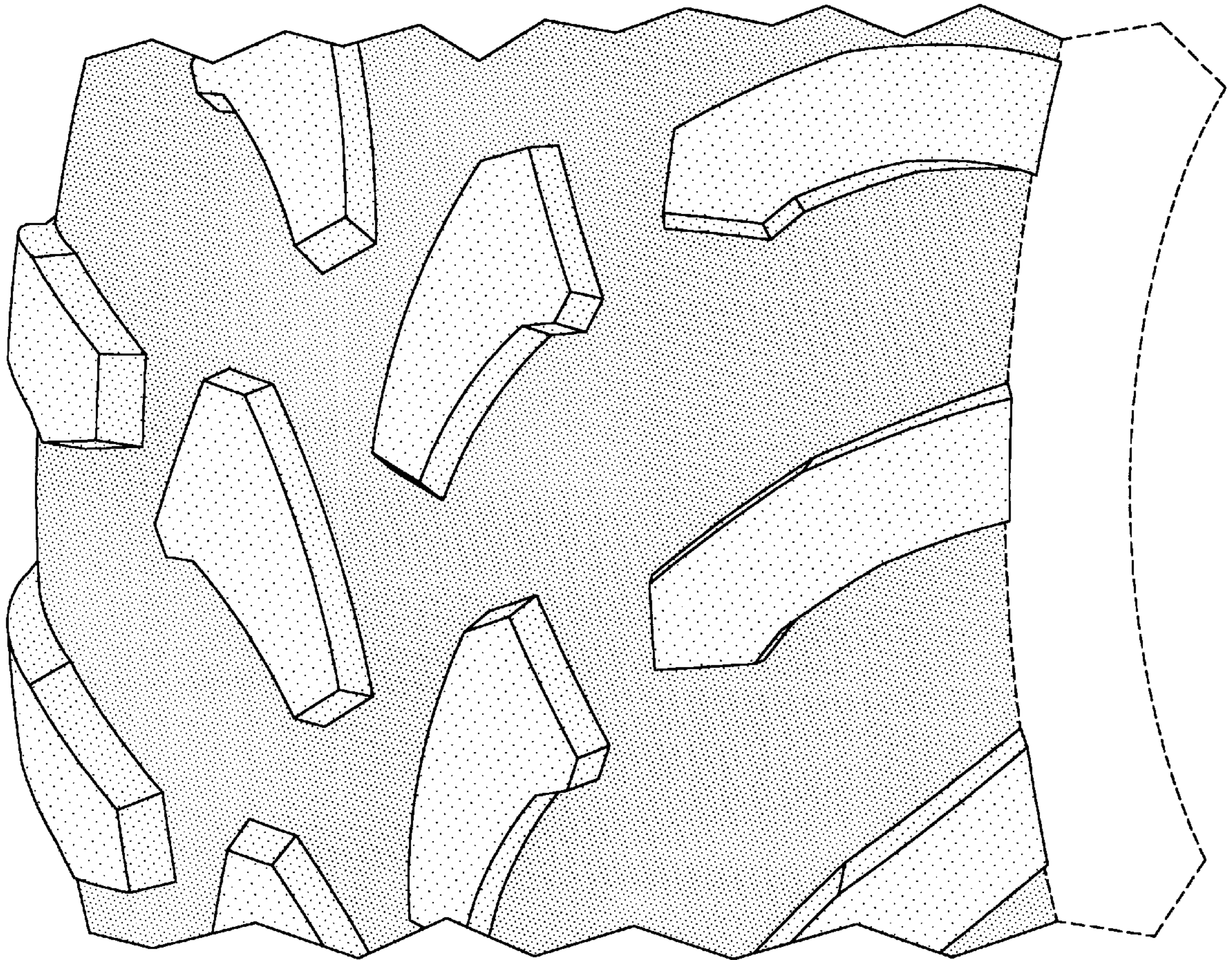


FIG-4