



US00D412870S

# United States Patent [19]

Weber et al.

[11] Patent Number: **Des. 412,870**

[45] Date of Patent: **\*\* Aug. 17, 1999**

[54] **TIRE TREAD**

[75] Inventors: **Michael Joseph Weber**, Mogadore;  
**Darrell Edwin Covert**, North Canton;  
**Samuel Patrick Landers**, Uniontown,  
all of Ohio

[73] Assignee: **The Goodyear Tire & Rubber Company**, Akron, Ohio

[\*\*] Term: **14 Years**

[21] Appl. No.: **29/088,248**

[22] Filed: **May 19, 1998**

[51] **LOC (6) Cl.** ..... **12-15**

[52] **U.S. Cl.** ..... **D12/146**

[58] **Field of Search** ..... D12/141-143,  
D12/146-151; 152/209 RR, 209 NS, 209 AS,  
209 AG, 209 BY, 209 LG, 209 RB, 209 DP

[56] **References Cited**

**U.S. PATENT DOCUMENTS**

D. 72,179	3/1927	Michelson .	
D. 279,088	6/1985	Giron .....	D12/147
D. 294,814	3/1988	Nakatani .....	D12/147
D. 299,330	1/1989	Wallet .....	D12/147
D. 301,024	5/1989	Himuro et al. ....	D12/147
D. 301,855	6/1989	Ono .....	D12/147
D. 349,670	8/1994	Ichiki .....	D12/146
D. 350,316	9/1994	Sulkowski .....	D12/147

D. 354,026	1/1995	McKisson .....	D12/146
D. 354,725	1/1995	McKisson .....	D12/146
D. 369,768	5/1996	Wakamatsu et al. ....	D12/147
D. 384,011	9/1997	Kawamata et al. ....	D12/146
D. 384,614	10/1997	Hanlon et al. ....	D12/147

**OTHER PUBLICATIONS**

Armstrong Formula "H" Tire, 1996 Tread Design Guide, p. 9.

*Primary Examiner*—Robert M. Spear  
*Attorney, Agent, or Firm*—T P Lewandowski

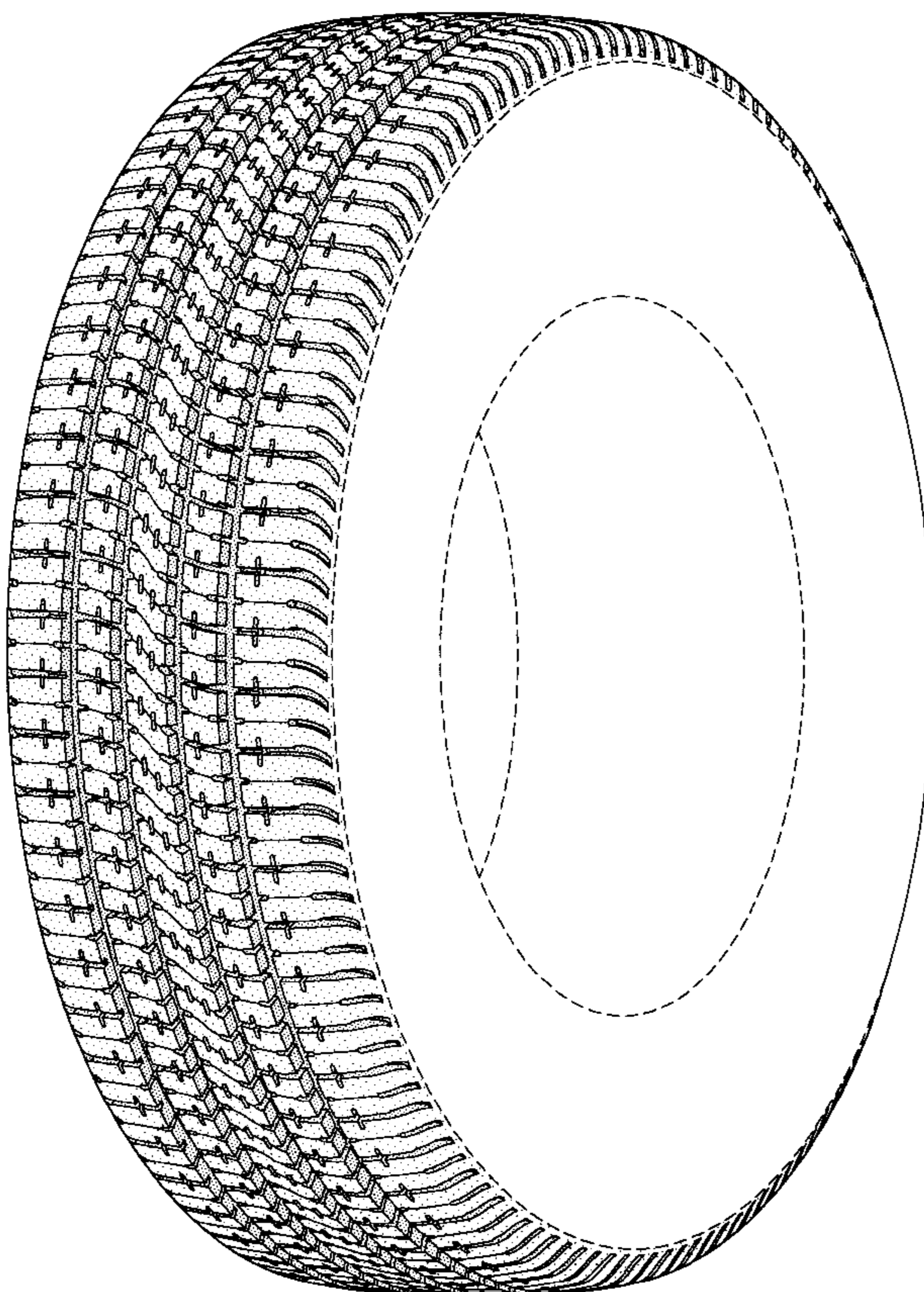
[57] **CLAIM**

The ornamental design for a tire tread, as shown and described.

**DESCRIPTION**

FIG. 1 is a perspective view of a tire tread showing our new design, it being understood that the pattern repeats uniformly throughout the circumference of the tread; FIG. 2 is a front elevational view thereof; FIG. 3 is a side elevational view thereof, the opposite side elevational view being identical thereto; and, FIG. 4 is an enlarged fragmentary perspective view. In the drawings, the broken lines defining the inner bead of the sidewall and the peripheral boundary between the tire tread and the sidewall are for illustrative purposes only and form no part of the claimed design.

**1 Claim, 4 Drawing Sheets**



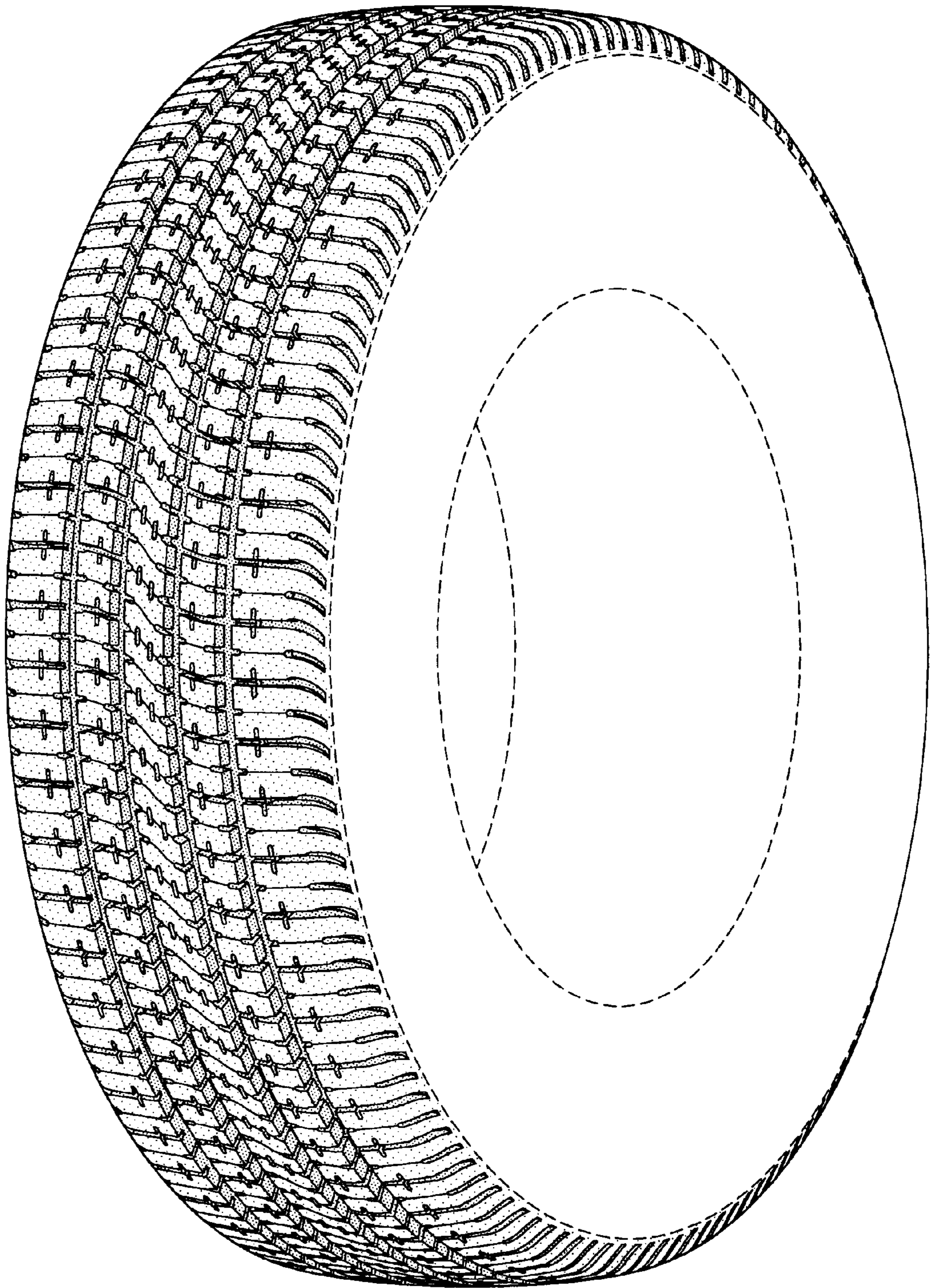


FIG-1

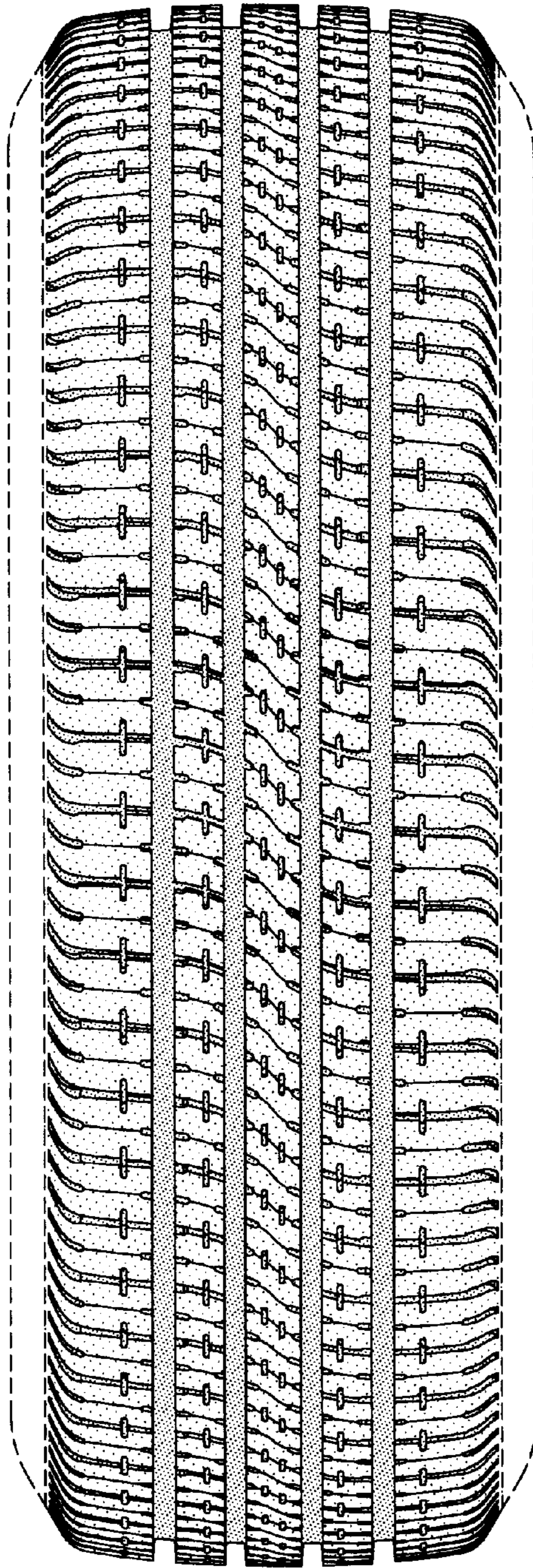


FIG-2

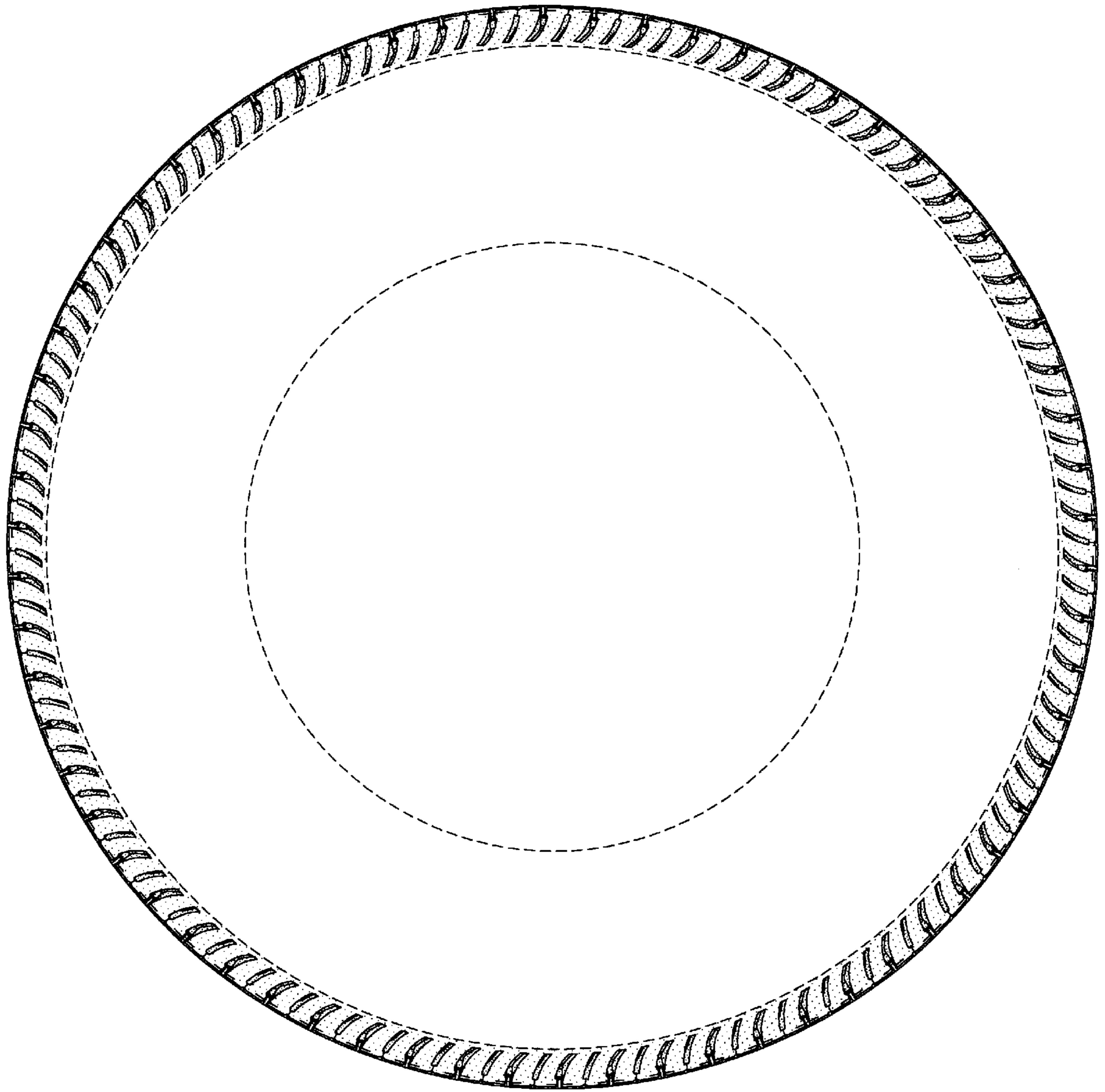


FIG-3

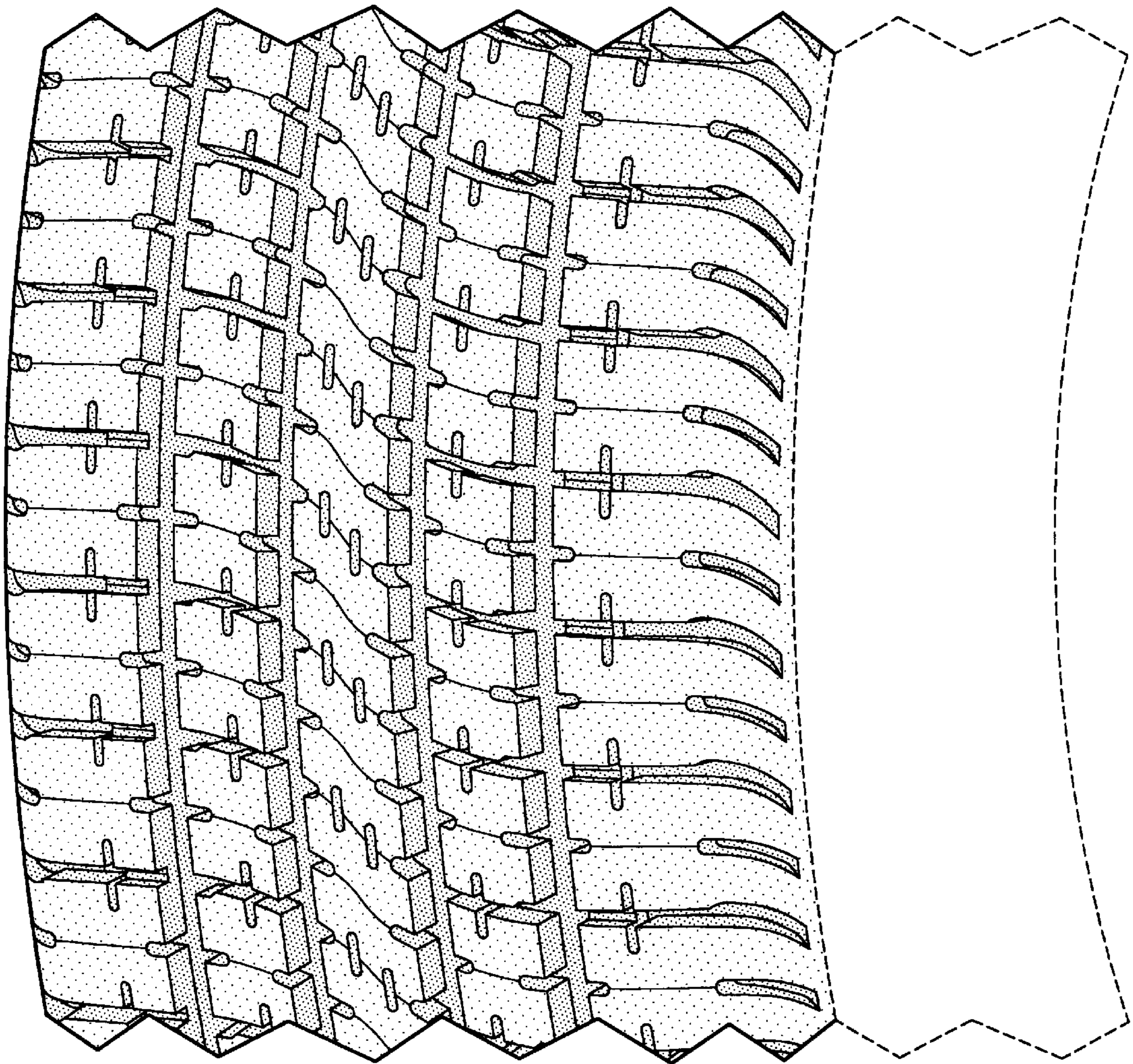


FIG-4