



US00D412868S

United States Patent [19]

[11] **Patent Number: Des. 412,868**

Klein et al.

[45] **Date of Patent: ** Aug. 17, 1999**

[54] **DOWNSTRUT FOR THE SWING ARM OF A SUSPENSION BICYCLE**

5,306,036 4/1994 Busby 280/284
5,435,584 7/1995 Buells 280/284

[75] Inventors: **Gary D. Klein; Darrell W. Voss**, both of Chehalis, Wash.

Primary Examiner—Melody N. Brown
Attorney, Agent, or Firm—Jim Zegeer, Esq.

[73] Assignee: **Klein Bicycle Corporation**, Chehalis, Wash.

[57] **CLAIM**

[**] Term: **14 Years**

The ornamental design for a downstrut for the swing arm of a suspension bicycle, as shown and described.

[21] Appl. No.: **29/057,408**

DESCRIPTION

[22] Filed: **Jul. 24, 1996**

FIG. 1 is a side elevational view of a downstrut for the swing arm of a suspension bicycle,

[51] **LOC (6) Cl.** **12-11**

[52] **U.S. Cl.** **D12/117**

FIG. 2 is a front elevational view of the downstrut for the swing arm of a suspension bicycle,

[58] **Field of Search** D12/117, 111;
280/284, 283, 275, 286, 288

FIG. 3 is a top view of a downstrut for the swing arm of a suspension bicycle,

FIG. 4 is a bottom view of the downstrut for the swing arm of a suspension bicycle; and,

FIG. 5 is a perspective view from the rear showing the downstrut for the swing arm of a suspension bicycle.

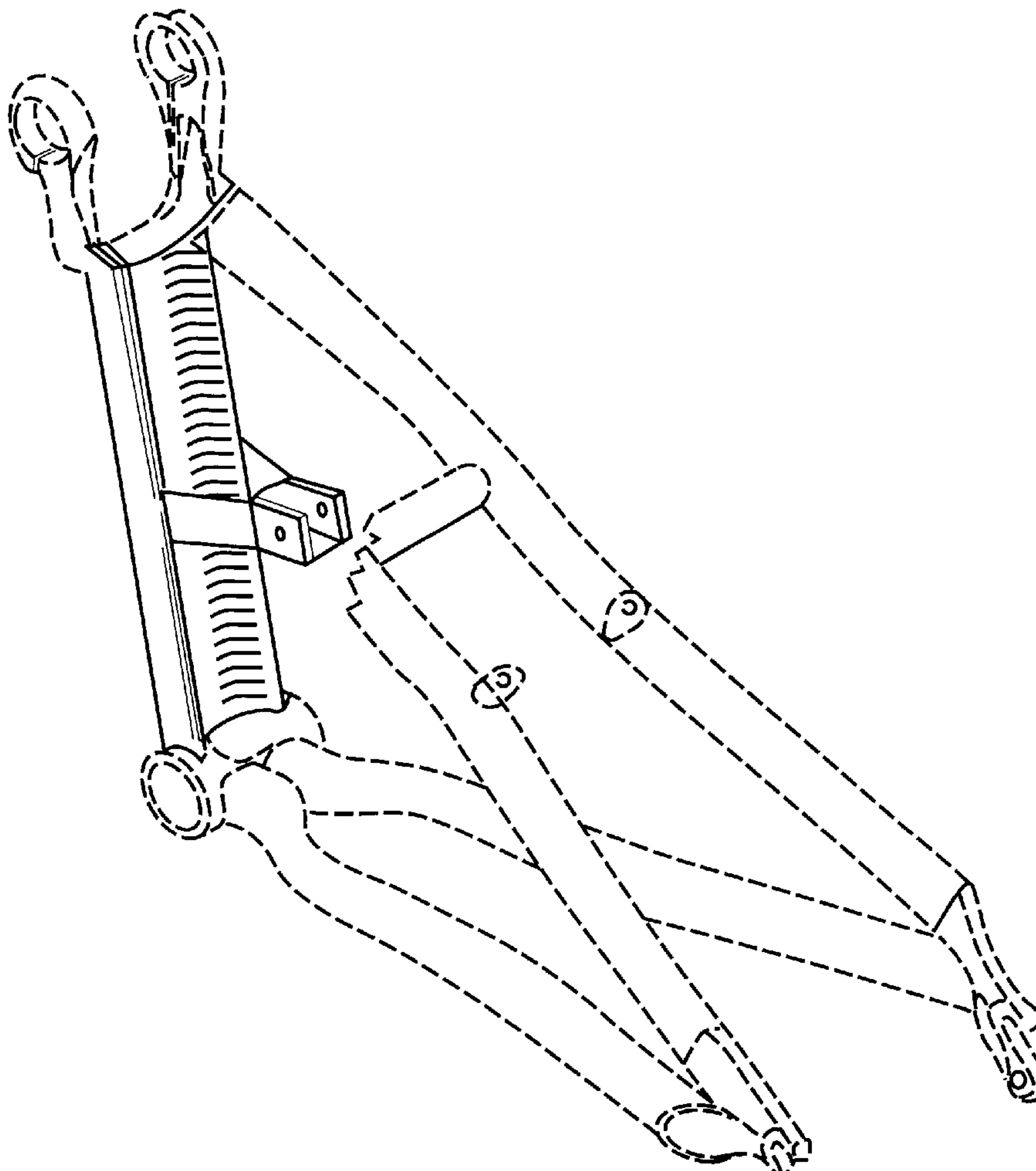
The broken lines shown in all drawing views are for illustrative purposes only and form no part of the claimed design.

[56] **References Cited**

U.S. PATENT DOCUMENTS

D. 368,880 4/1996 Harrington D12/111
5,121,937 6/1992 Lawhill 280/284
5,259,637 11/1993 Busby 280/284

1 Claim, 2 Drawing Sheets



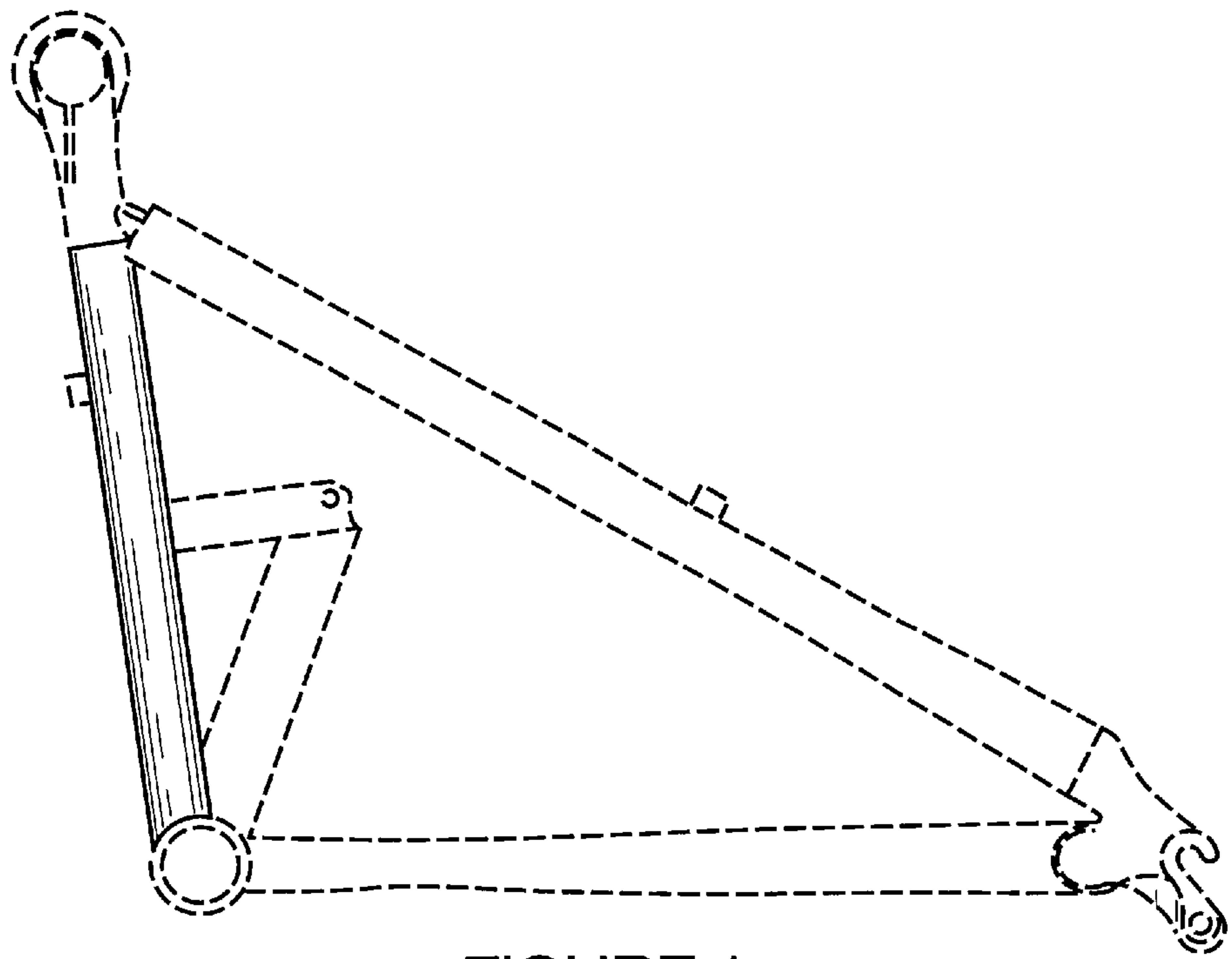
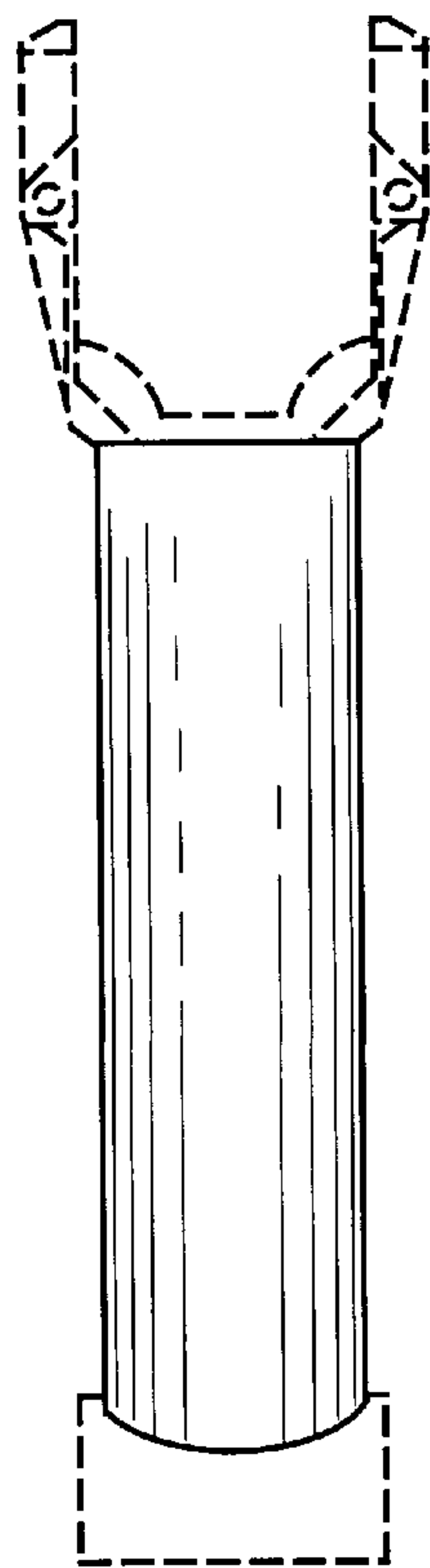


FIGURE 1

FIGURE 2



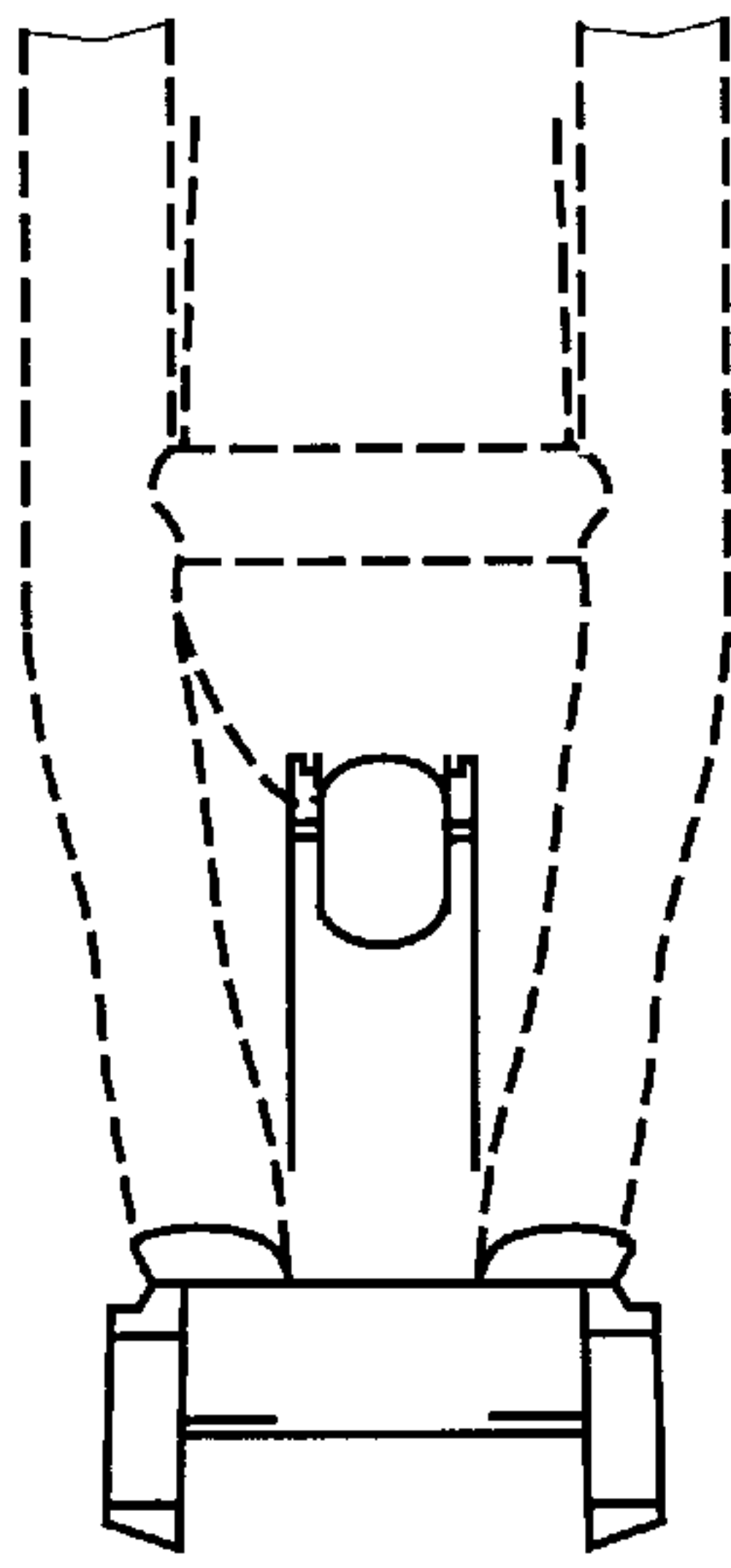


FIGURE 3

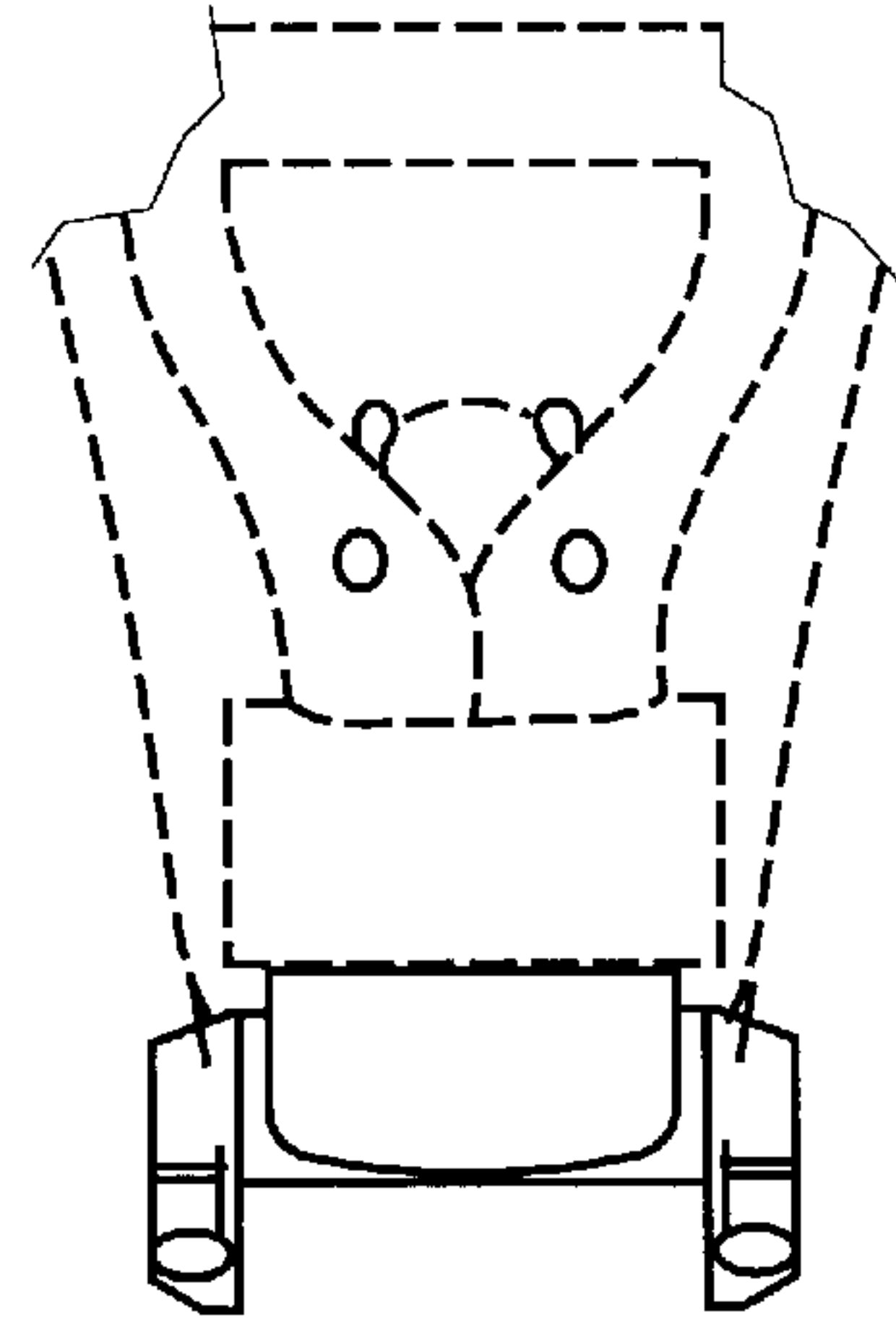


FIGURE 4

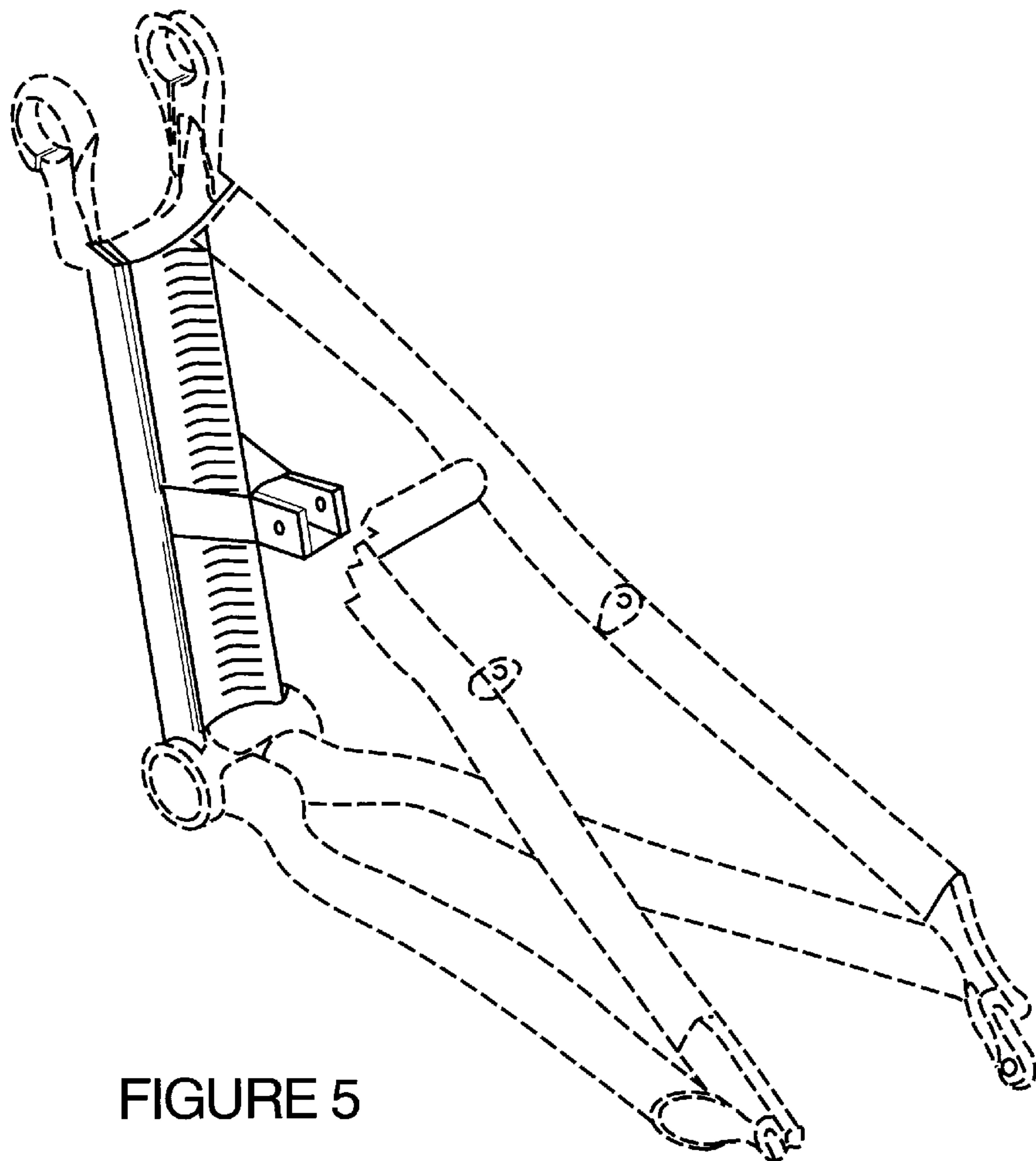


FIGURE 5