



US00D412867S

United States Patent [19]

White

[11] Patent Number: Des. 412,867

[45] Date of Patent: ** Aug. 17, 1999

[54] MOTORCYCLE PASSENGER SEAT EXPANDER

[76] Inventor: **Jill White**, 72-689 Beavertail St., Palm Desert, Calif. 92260

[**] Term: **14 Years**

[21] Appl. No.: **29/057,475**

[22] Filed: **Jul. 25, 1996**

[51] LOC (6) Cl. **12-11**

[52] U.S. Cl. **D12/114; D6/354**

[58] Field of Search D12/114, 420-424; D6/333, 339, 354; 297/195.11, 195.1, 411; 248/311.1, 311.2

[56] References Cited

U.S. PATENT DOCUMENTS

- D. 273,056 3/1984 Lennon D12/423
- D. 376,920 12/1996 Wood D6/333
- D. 377,423 1/1997 Fatrella et al. D6/333

Primary Examiner—Melody N. Brown

[57] CLAIM

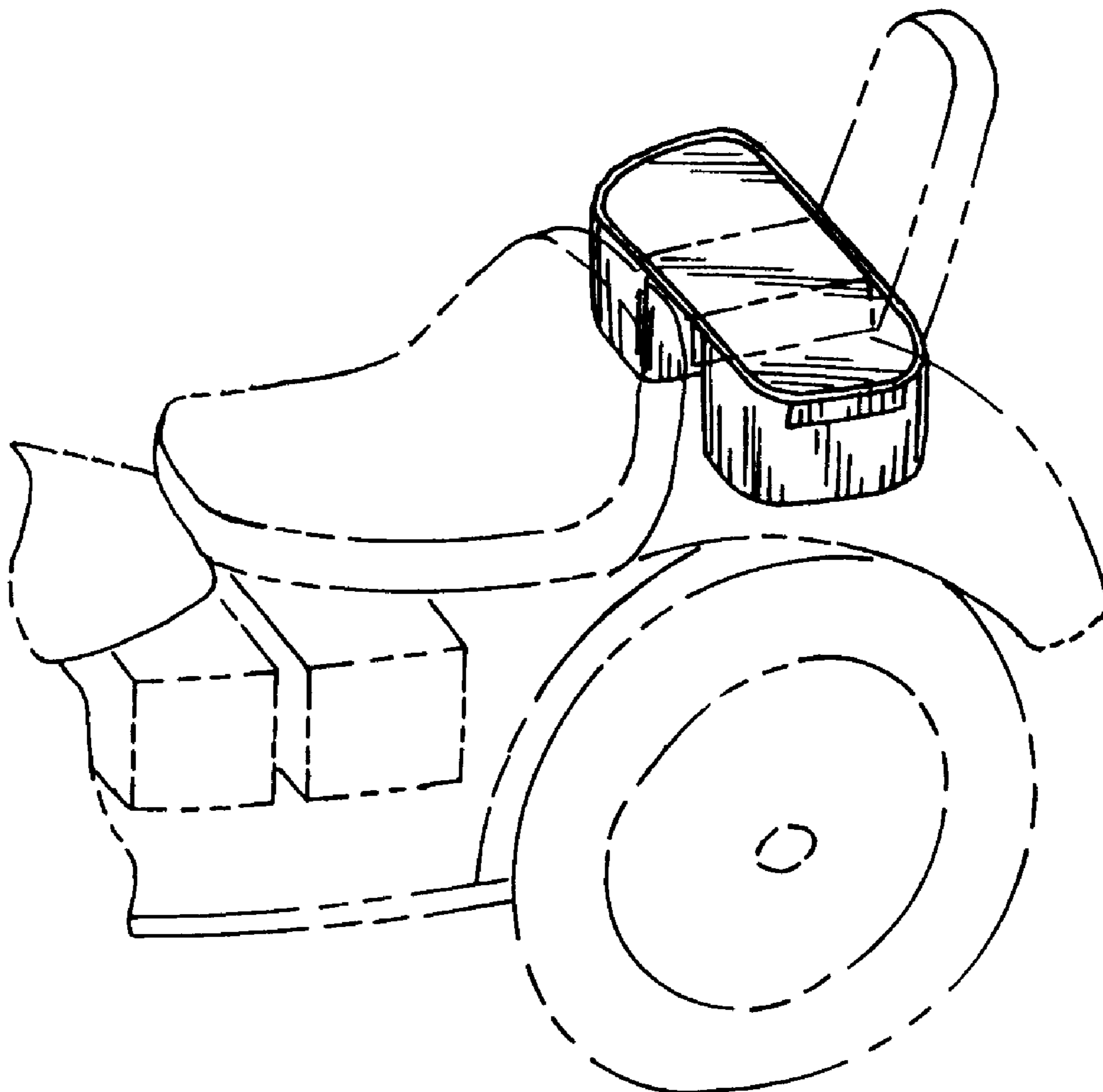
The ornamental design for a motorcycle passenger seat expander, as shown and described.

DESCRIPTION

FIG. 1 is a front elevational view of a motorcycle passenger seat expander showing my new design; FIG. 2 is a top plan view thereof; FIG. 3 is a rear elevational view thereof; FIG. 4 is a bottom plan view thereof; FIG. 5 is a left side elevational view, the right side elevational view being the mirror image thereof; and, FIG. 6 is a reduced top, front, left side perspective view thereof.

The broken lines showing in FIG. 2 of the drawing represent stitching and the broken lines shown in FIG. 6 of the drawing are for illustrative purposes only and form no part of the claimed design.

1 Claim, 1 Drawing Sheet



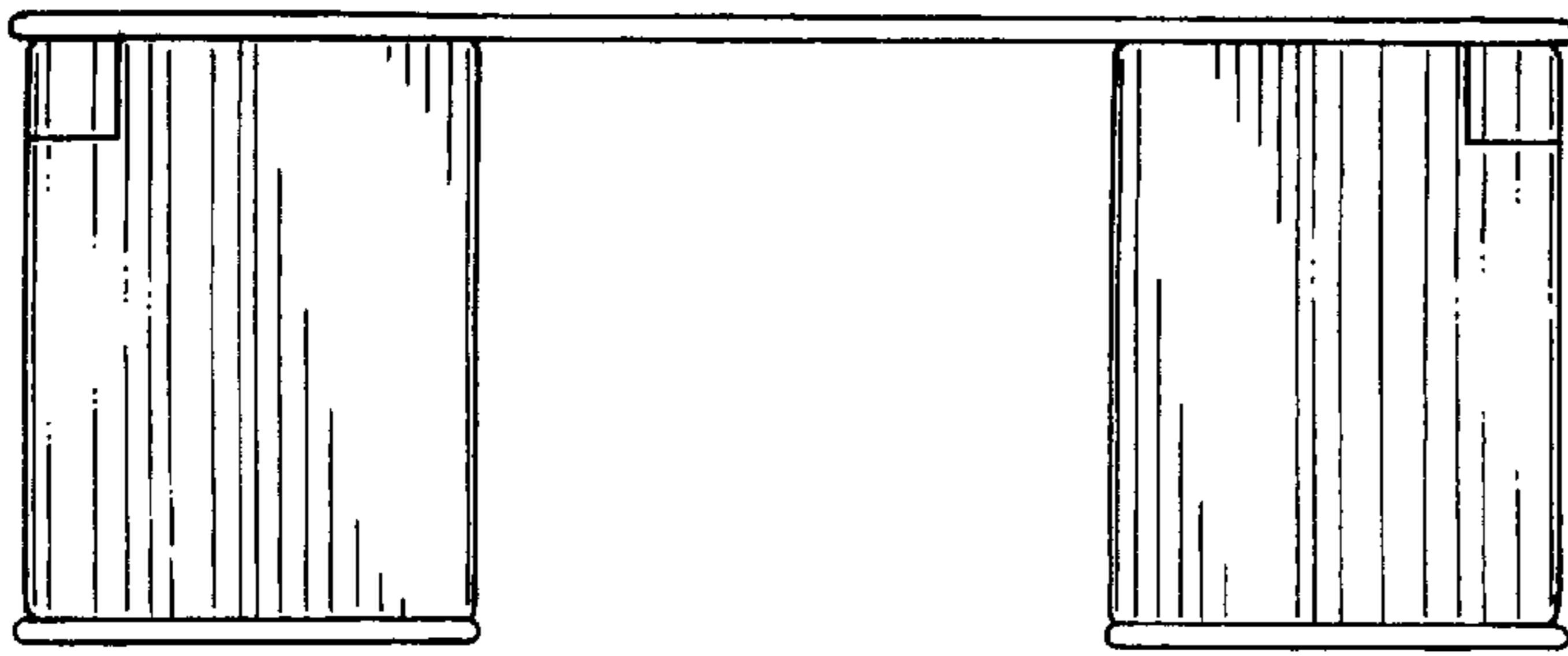


FIG. 1

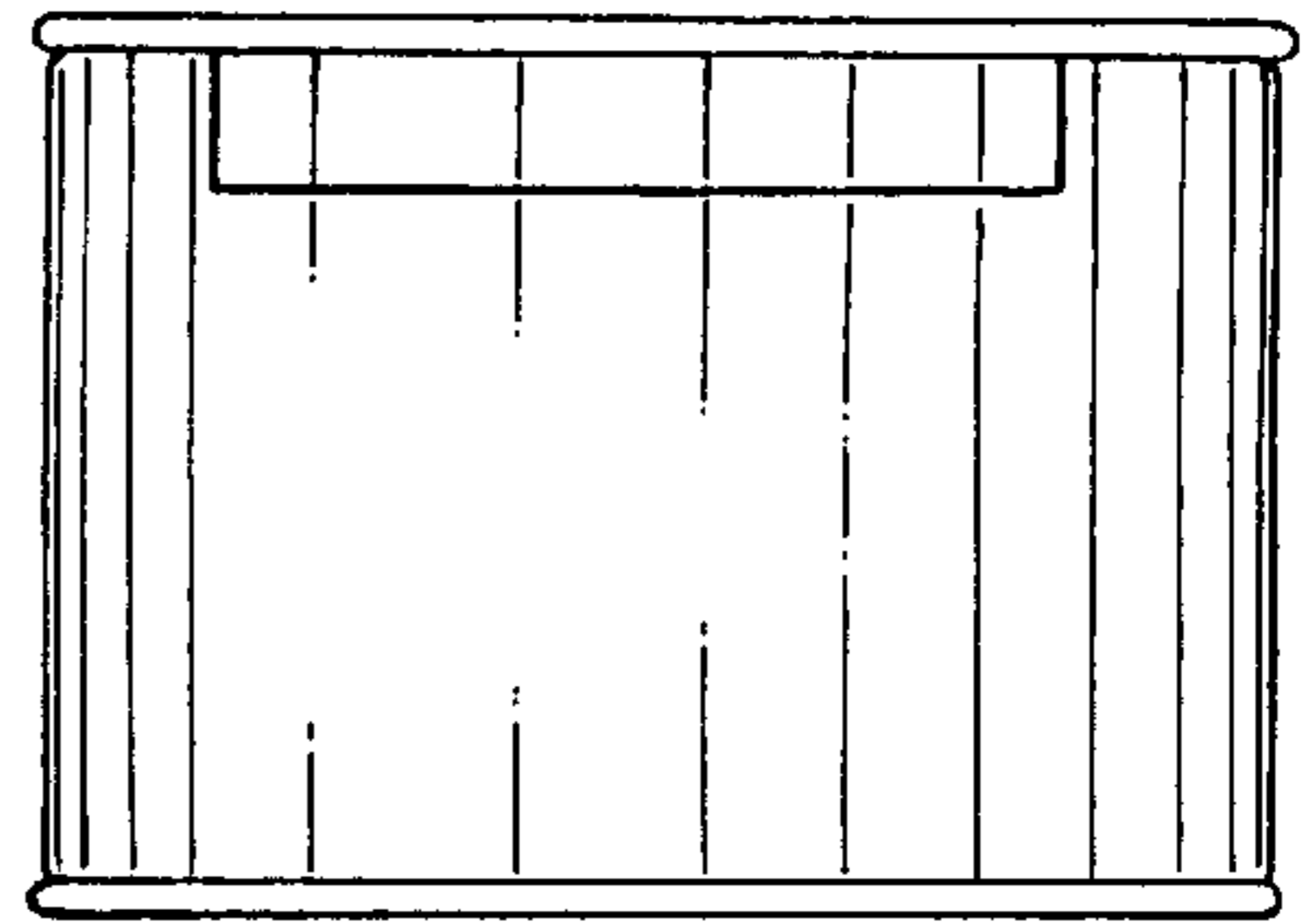


FIG. 5

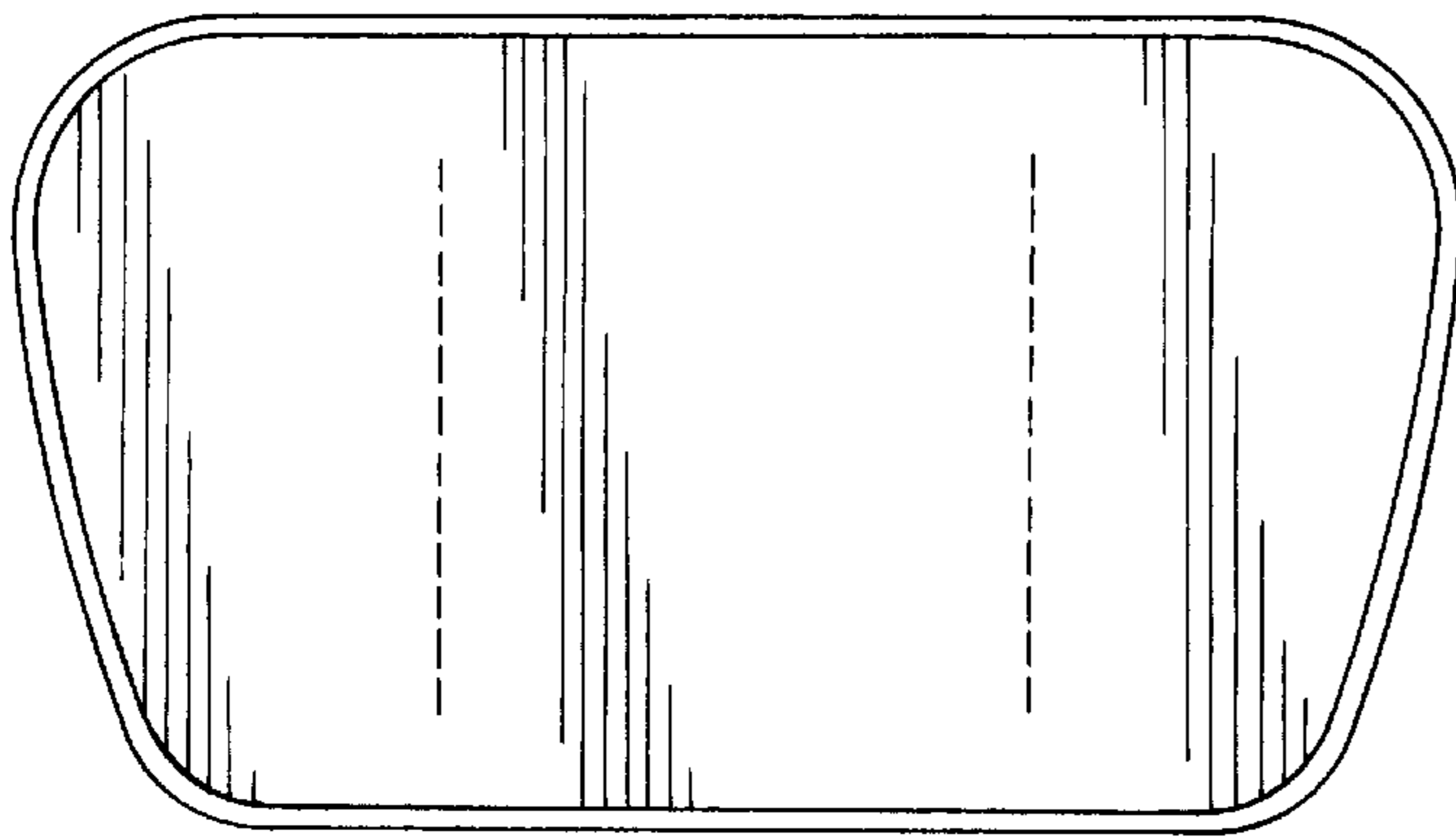


FIG. 2

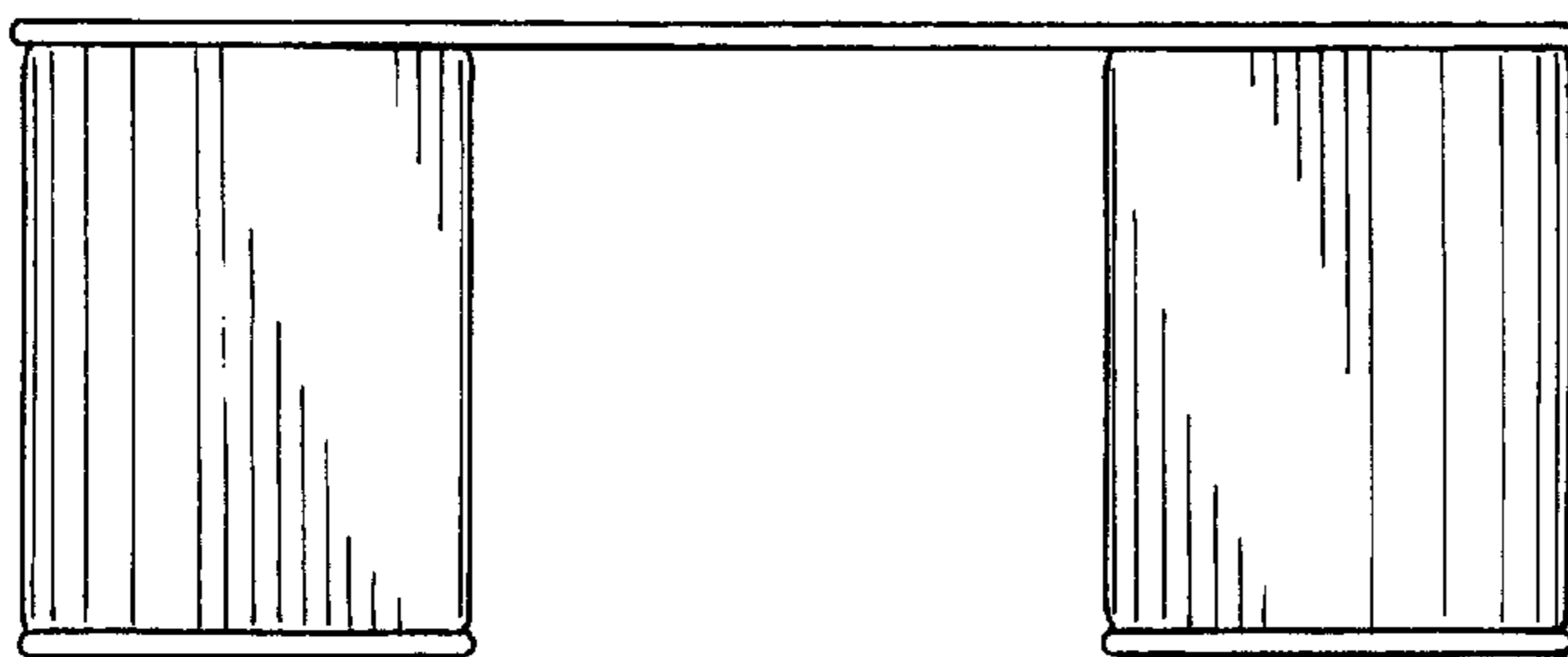


FIG. 3

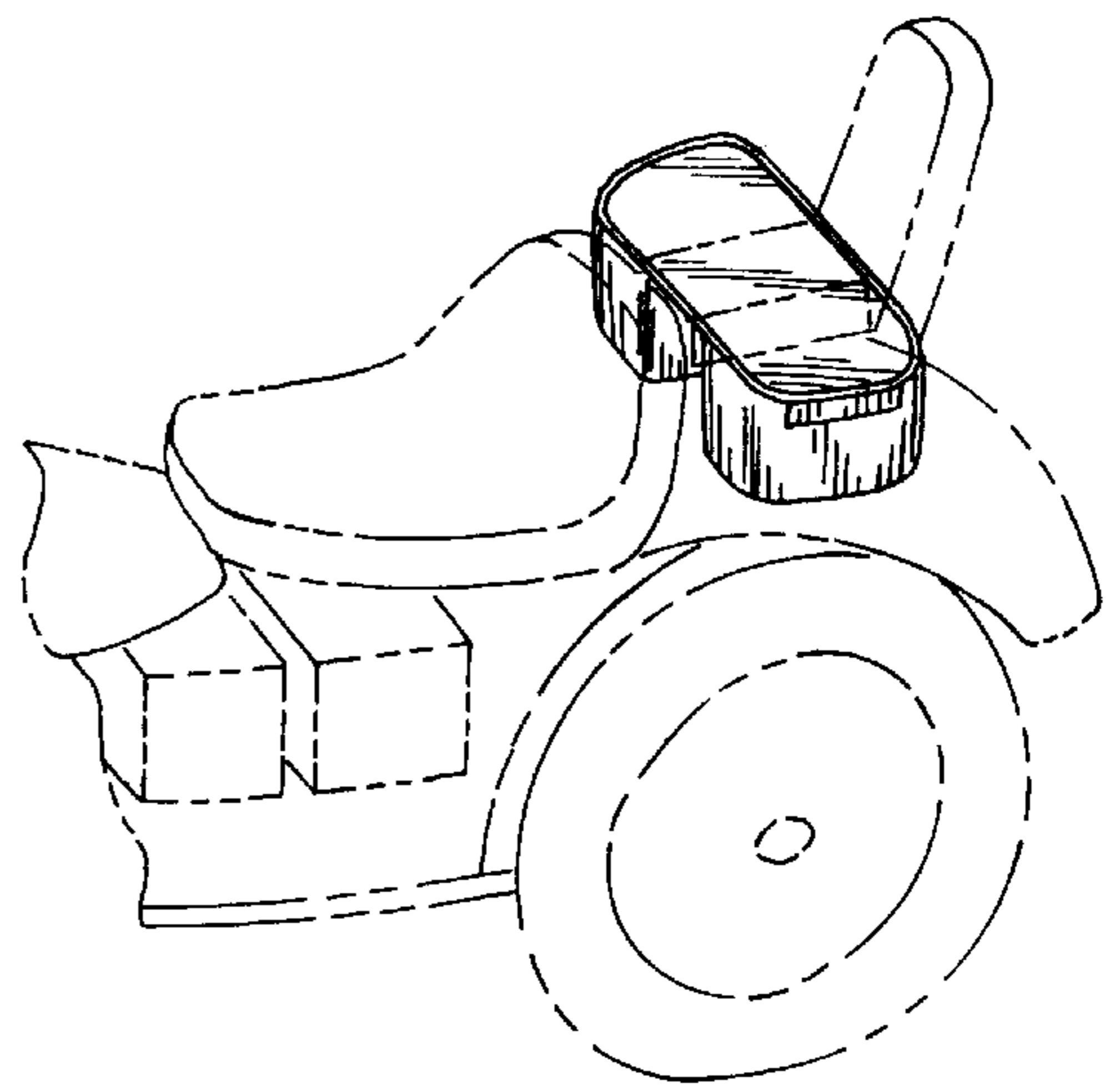


FIG. 6

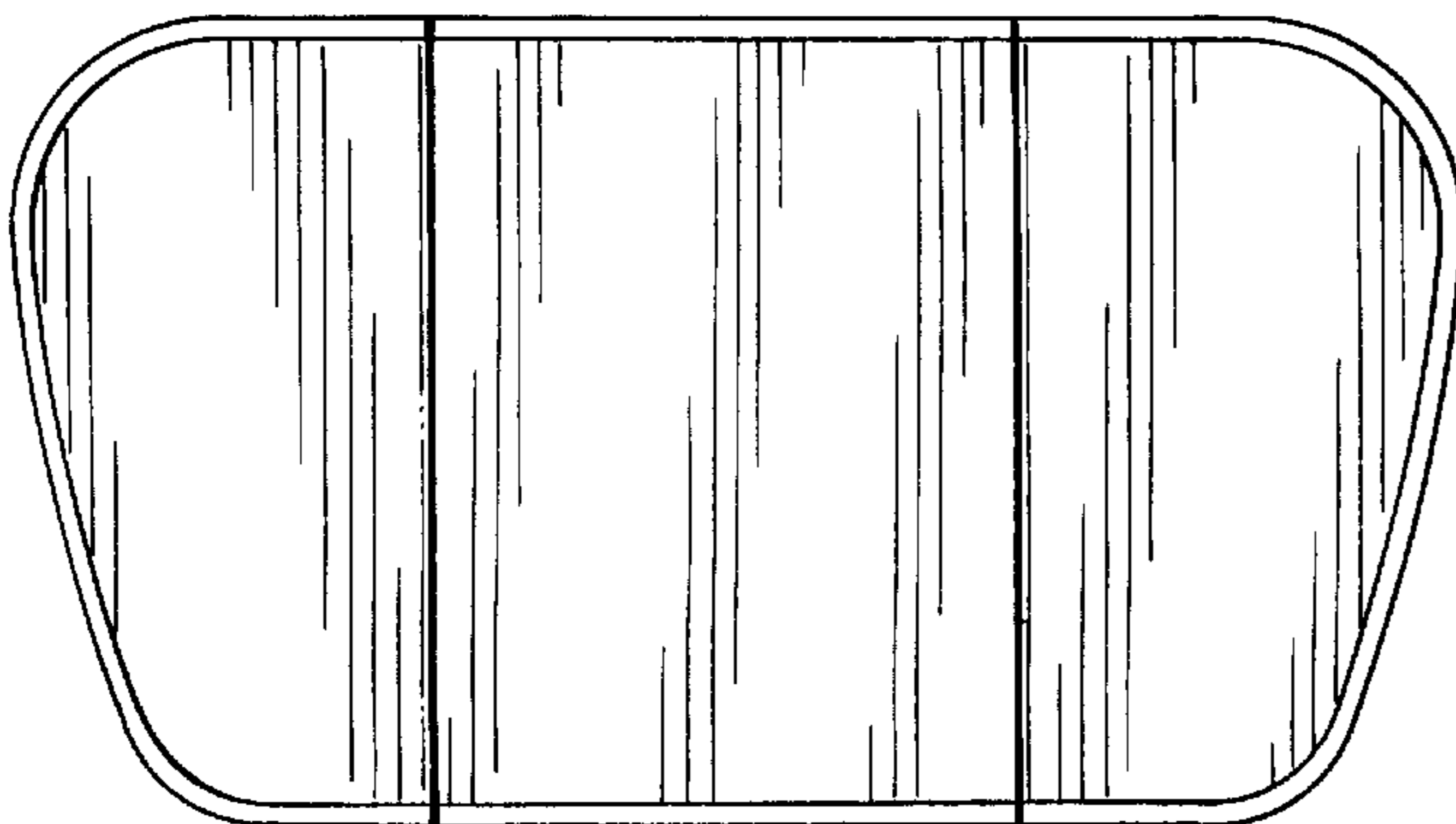


FIG. 4