



US00D412864S

**United States Patent** [19]  
**Leung**

[11] **Patent Number: Des. 412,864**

[45] **Date of Patent: \*\* Aug. 17, 1999**

[54] **BUTTON**

[75] Inventor: **Bryan Kwok Lun Leung**, New Territories, The Hong Kong Special Administrative Region of the People's Republic of China

[73] Assignee: **Ching Fung Apparel Accessories Company Limited**, Kowloon, The Hong Kong Special Administrative Region of the People's Republic of China

[\*\*] Term: **14 Years**

[21] Appl. No.: **29/095,300**

[22] Filed: **Oct. 20, 1998**

[51] **LOC (6) Cl.** ..... **02-07**

[52] **U.S. Cl.** ..... **D11/226**

[58] **Field of Search** ..... D11/200, 201, D11/216, 222, 223, 224, 225, 226; 24/90.1, 90.5, 113 R, 113 MP, 572, 580, 593

[56] **References Cited**

**U.S. PATENT DOCUMENTS**

D. 241,088 8/1976 Bengtsson ..... D11/200

D. 288,185 2/1987 Derosa ..... D11/226  
D. 337,967 8/1993 Wright ..... D11/226  
D. 393,430 4/1998 Haines et al. .... D11/216  
5,621,951 4/1997 Gould ..... 24/90.5

*Primary Examiner*—Ralf Seifert  
*Attorney, Agent, or Firm*—Christensen O'Connor Johnson Kindness PLLC

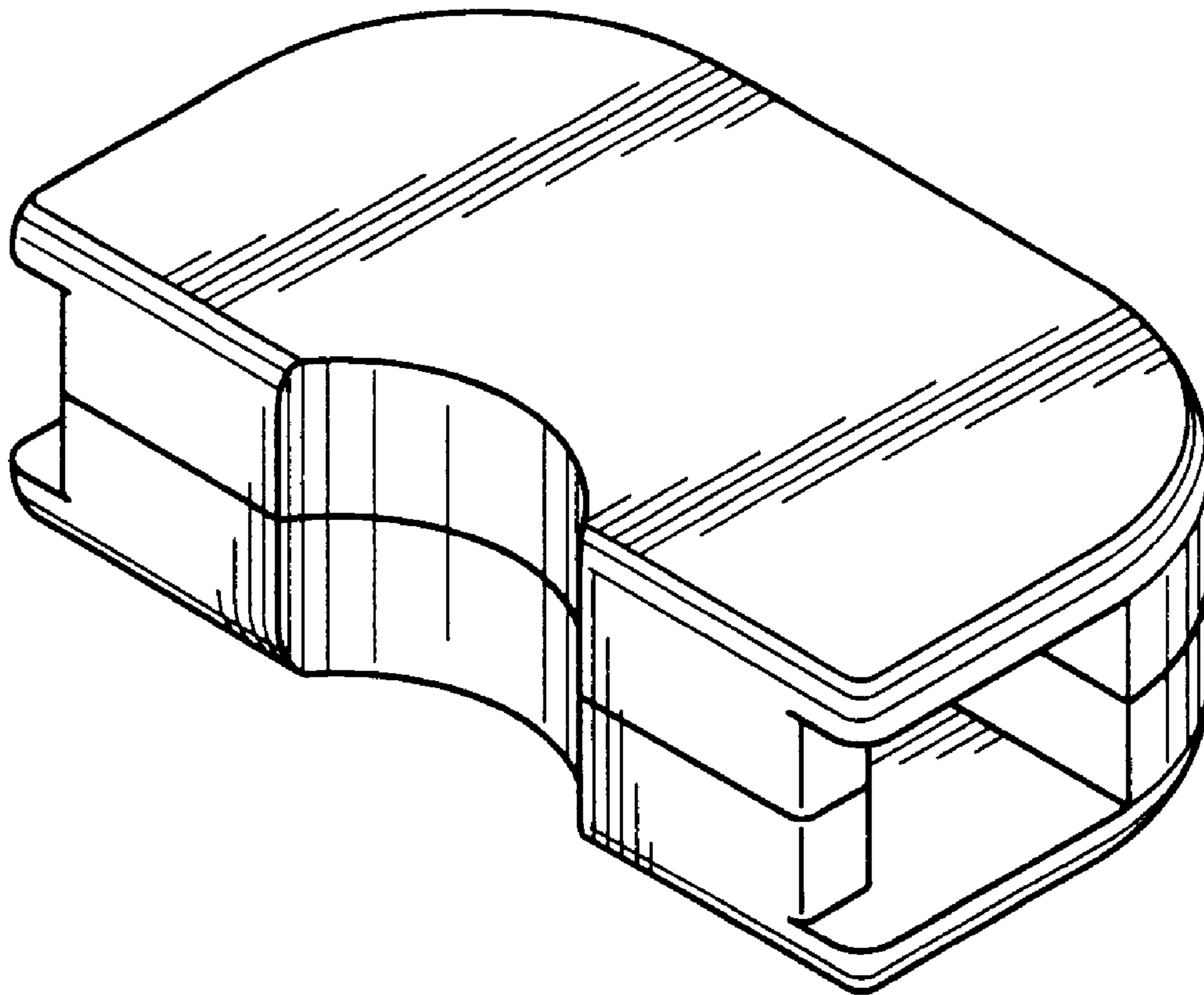
[57] **CLAIM**

The ornamental design for a button, as shown and described.

**DESCRIPTION**

FIG. 1 is a perspective view of a button showing my new design;  
FIG. 2 is an exploded perspective view;  
FIG. 3 is a perspective view of side opposite that shown in FIG. 1;  
FIG. 4 is an exploded view of FIG. 3;  
FIG. 5 is a front view of FIG. 1;  
FIG. 6 is a rear view of FIG. 1;  
FIG. 7 is a left side view of FIG. 1;  
FIG. 8 is a right side view of FIG. 1;  
FIG. 9 is a top plan view of FIG. 1; and,  
FIG. 10 is a bottom plan view of FIG. 1.

**1 Claim, 4 Drawing Sheets**



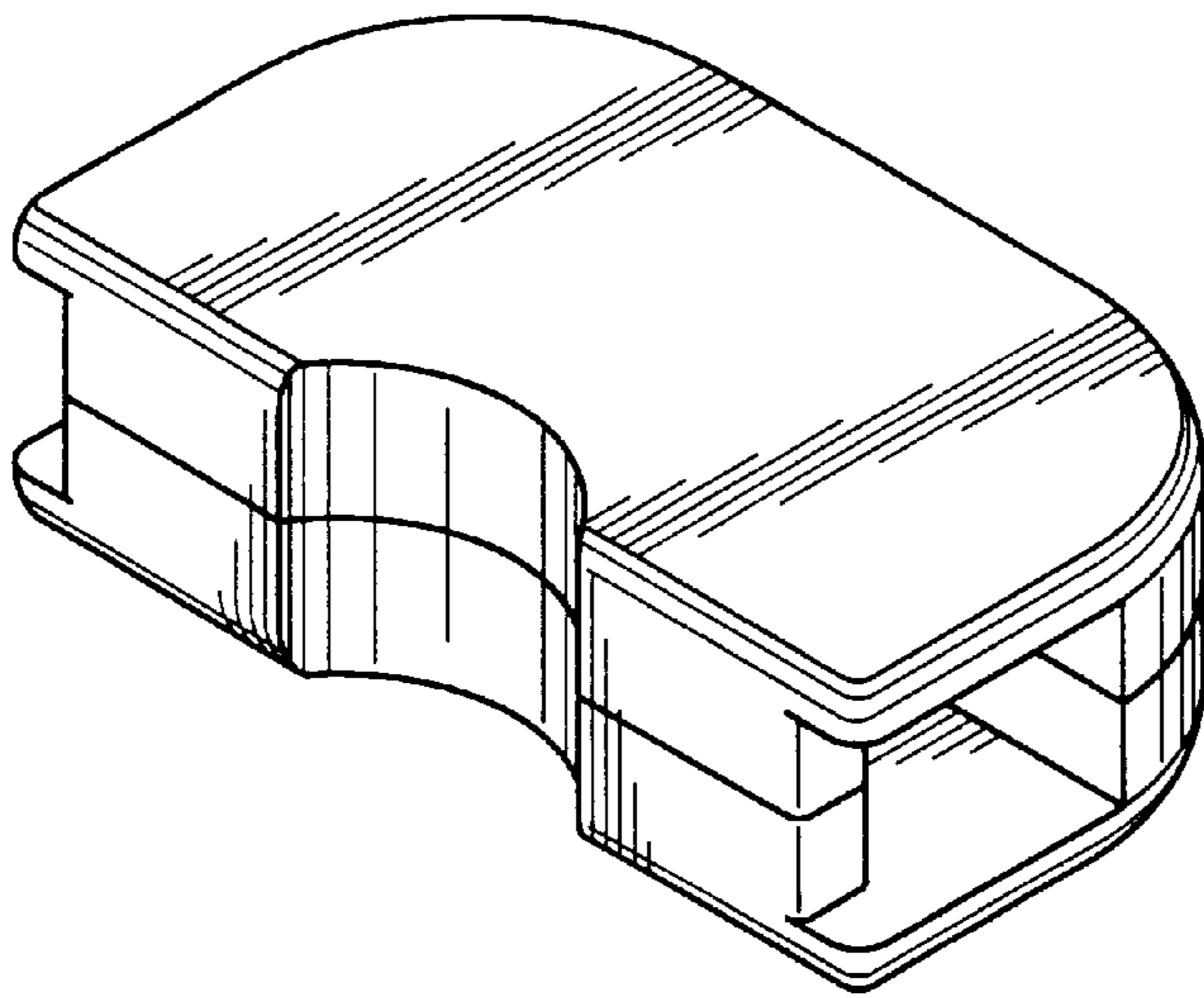


FIG. 1

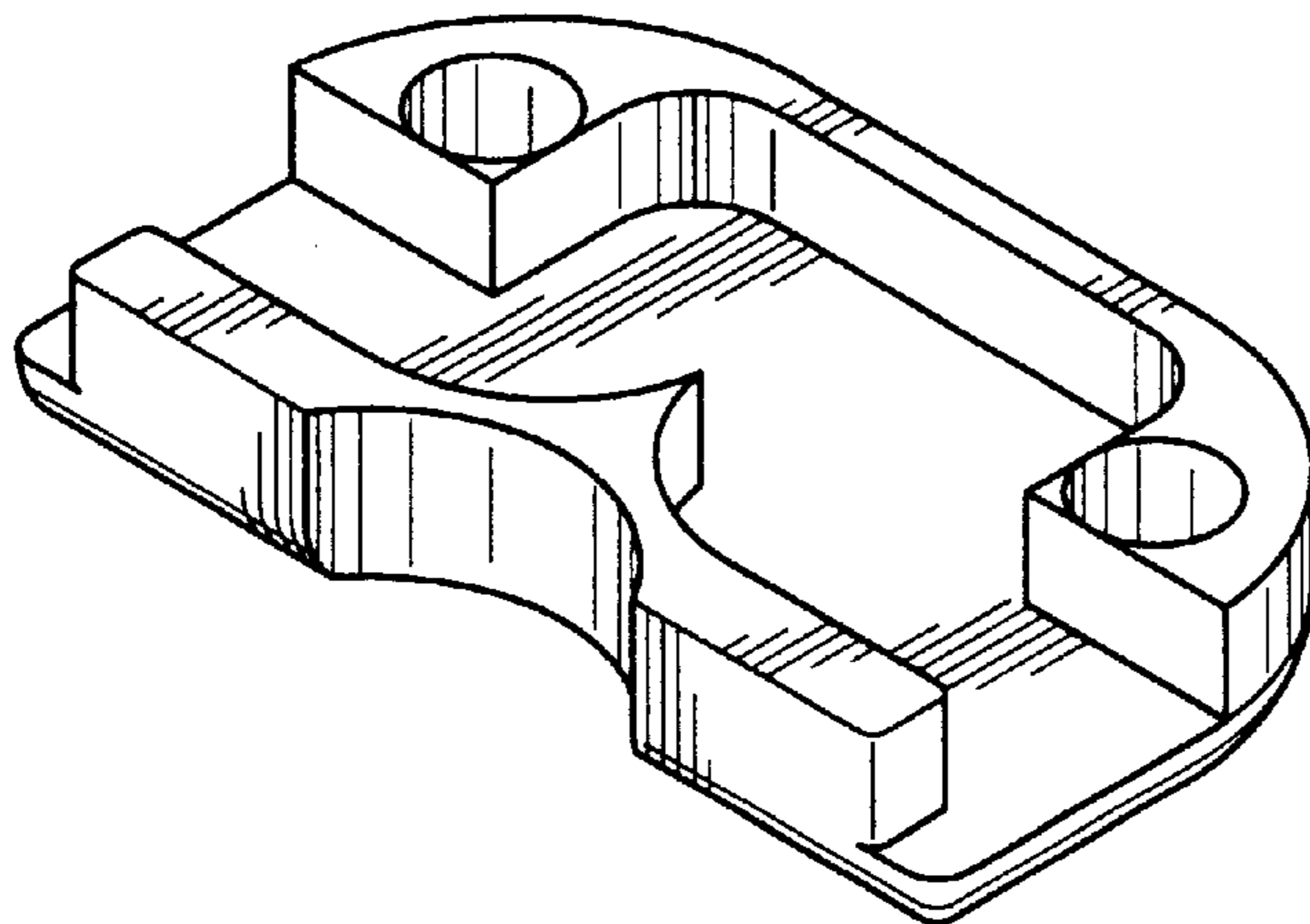
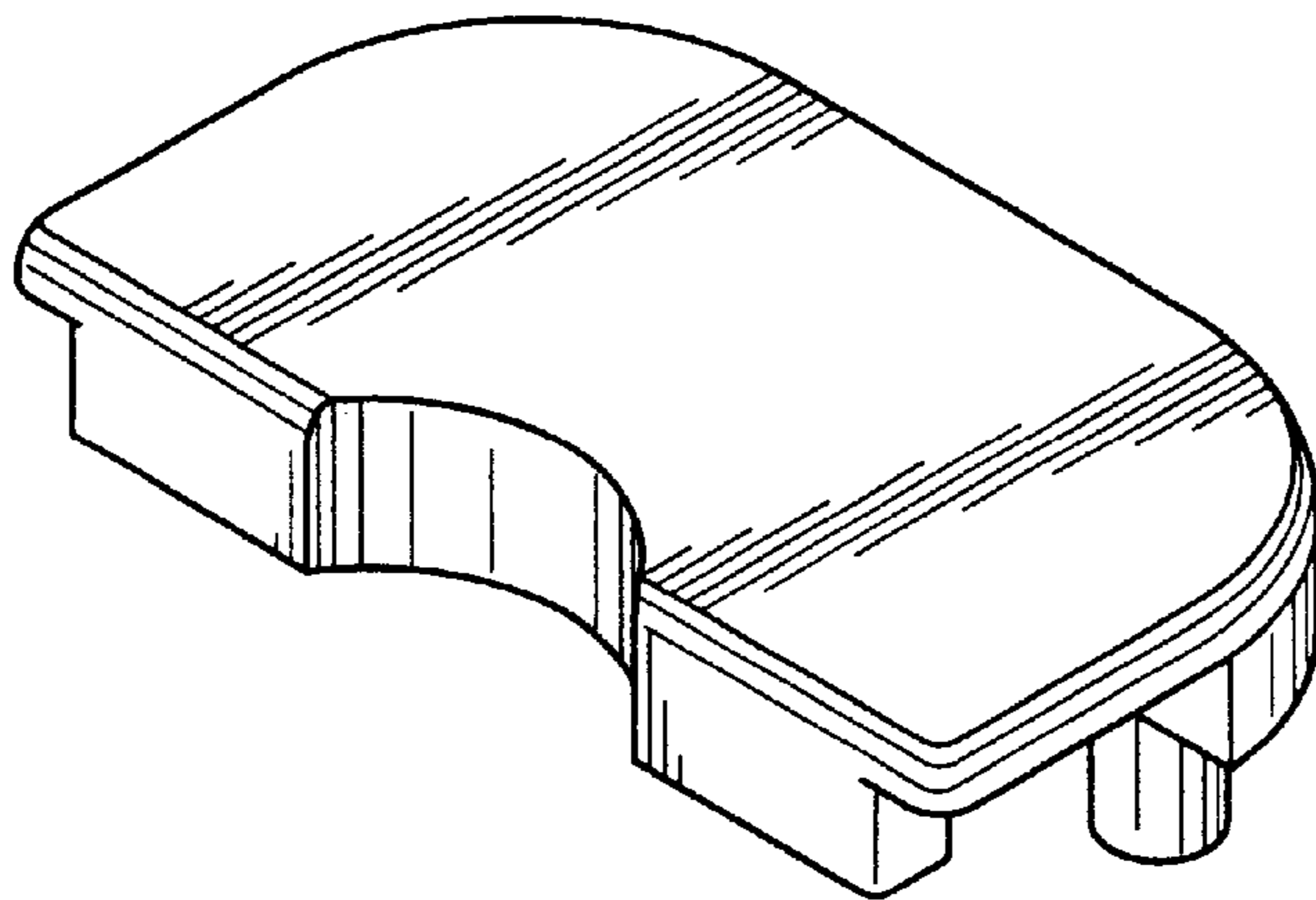


FIG. 2

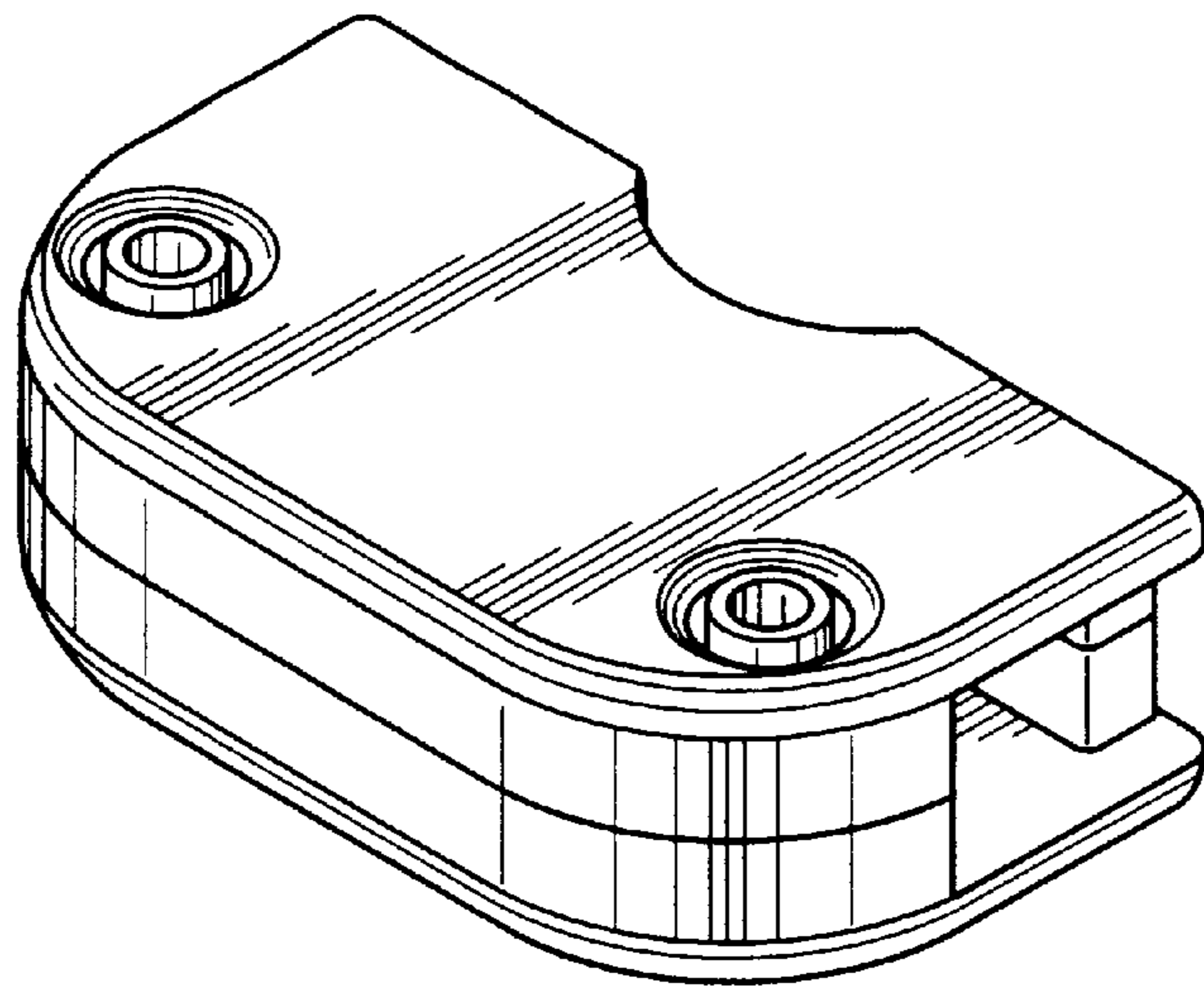


FIG. 3

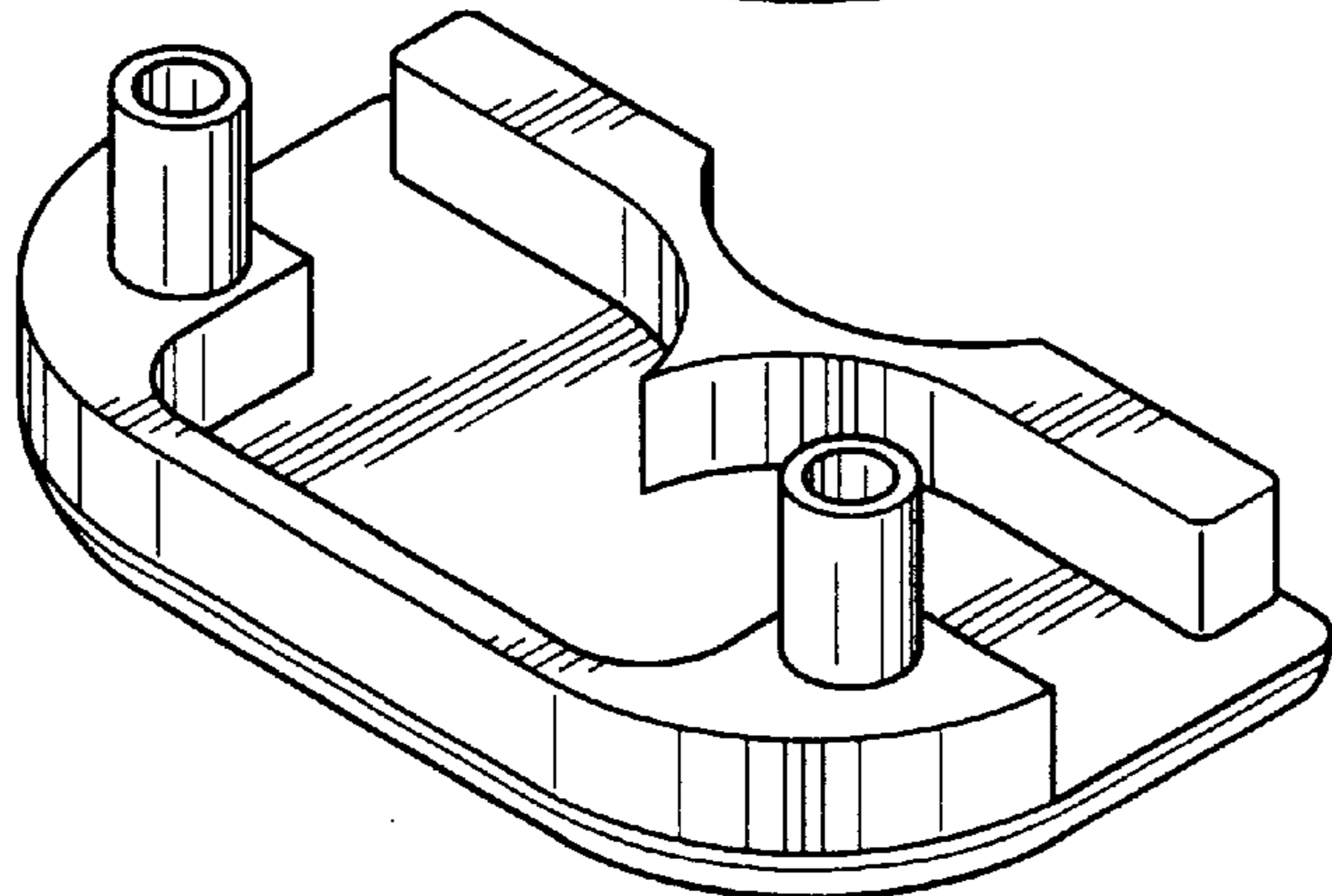
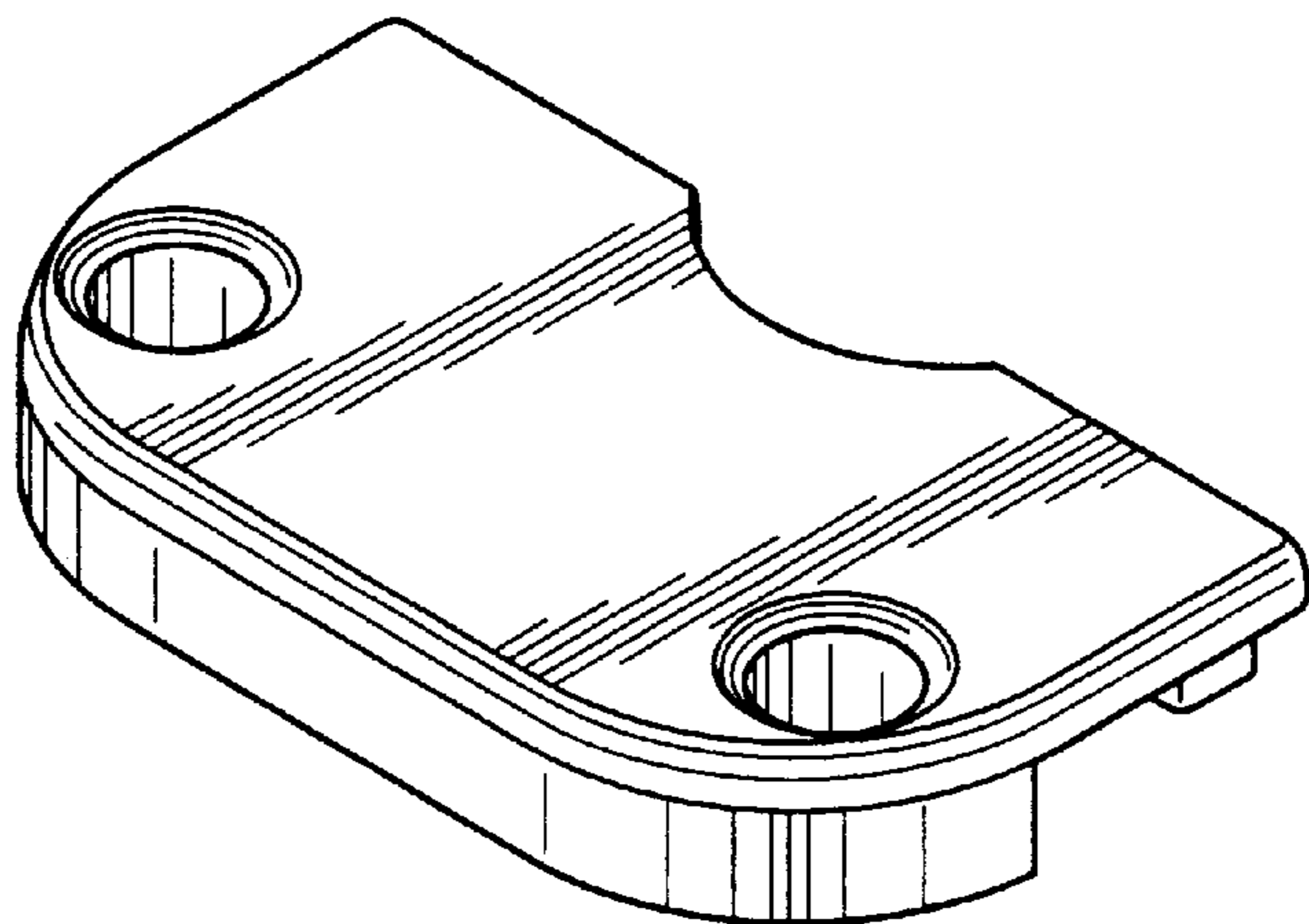


FIG. 4

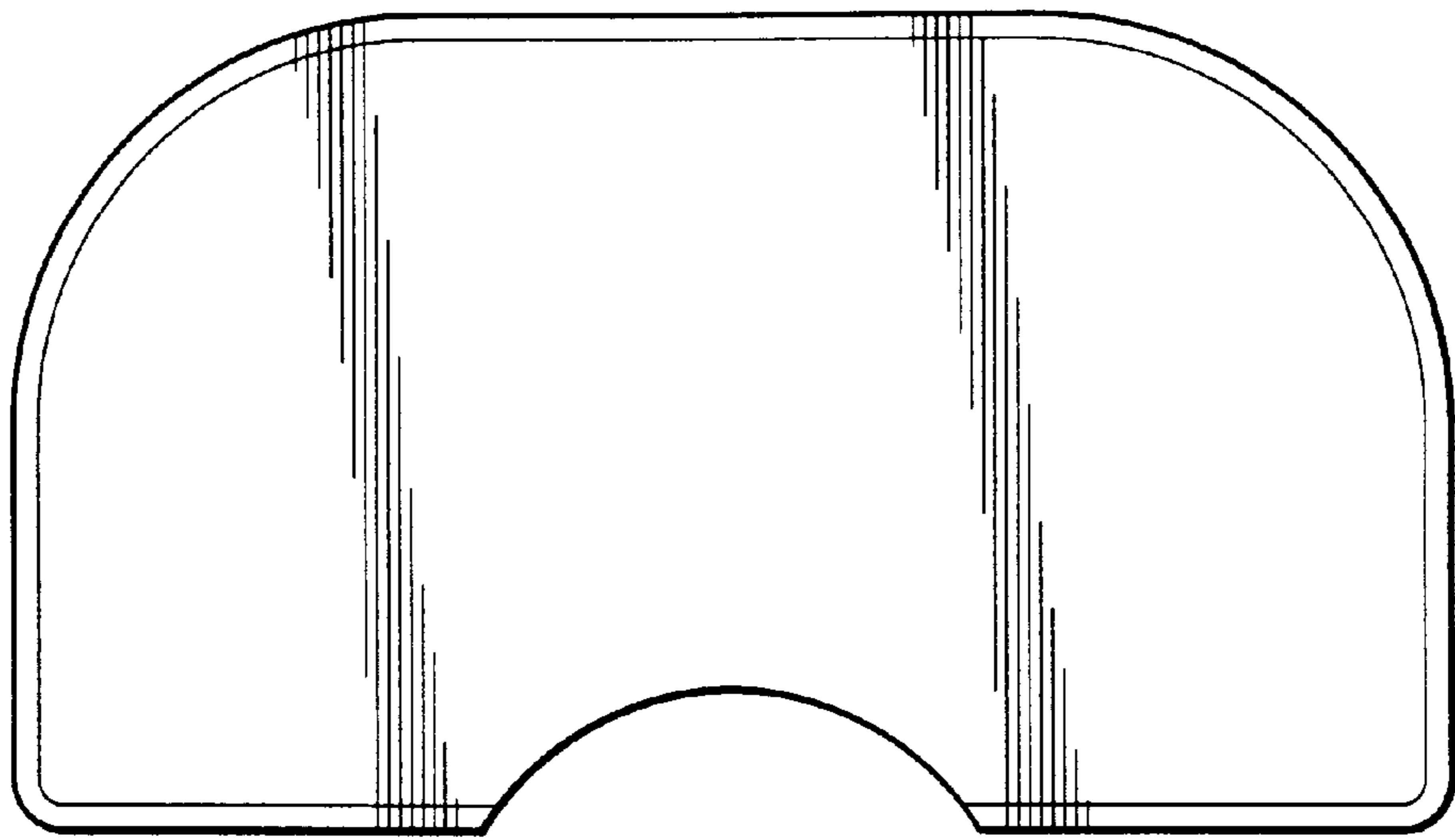


FIG. 5

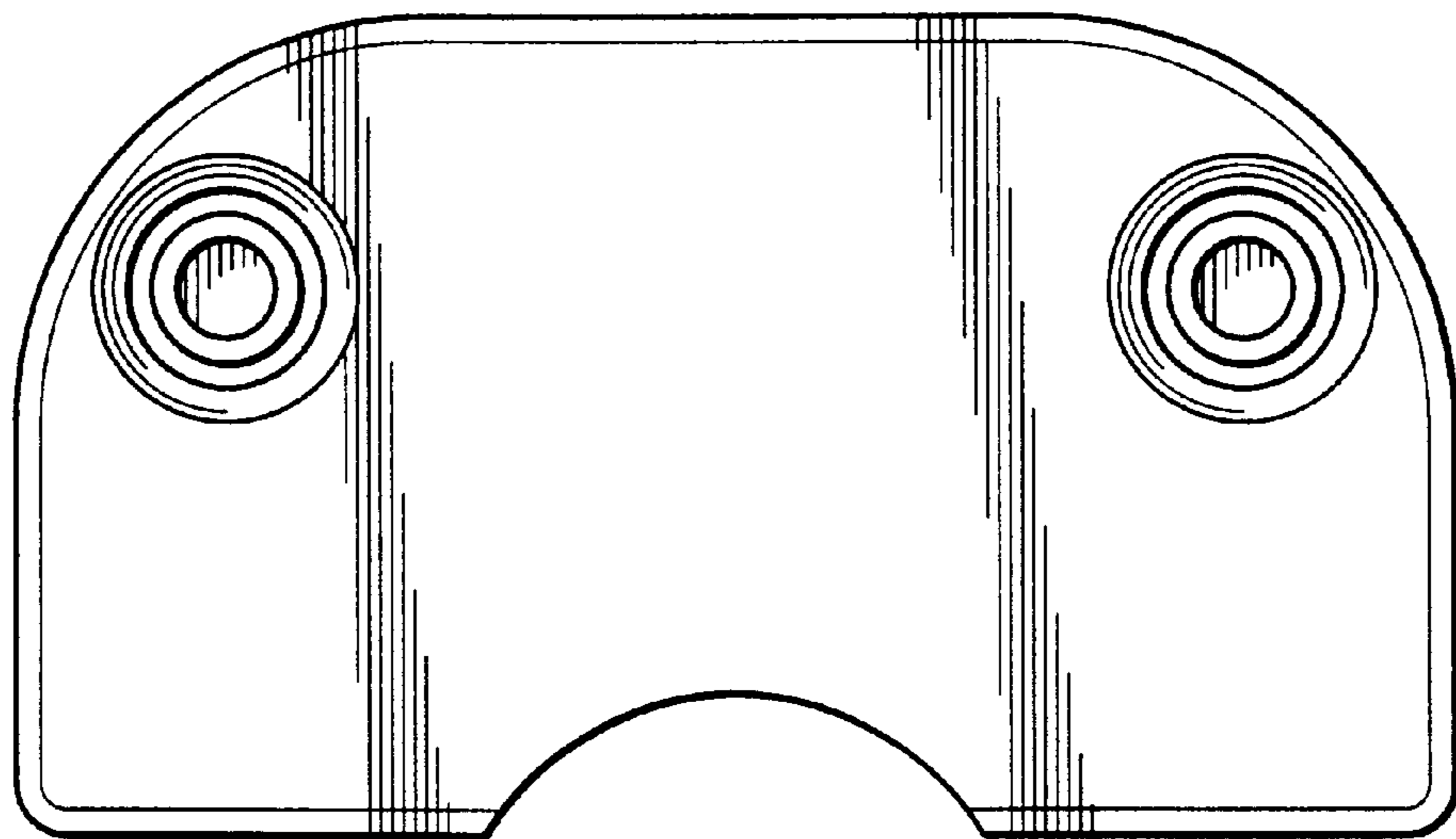


FIG. 6

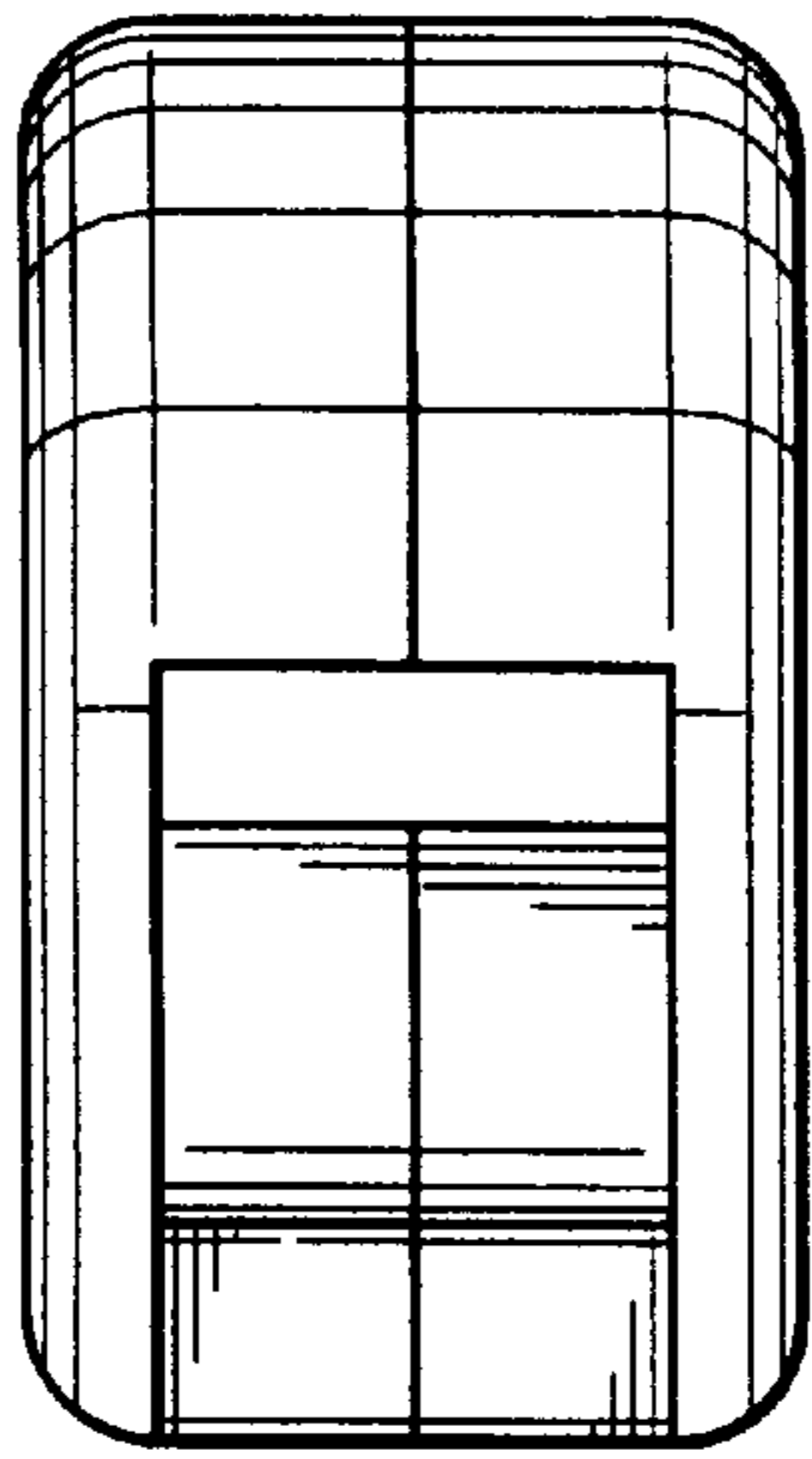


FIG. 7

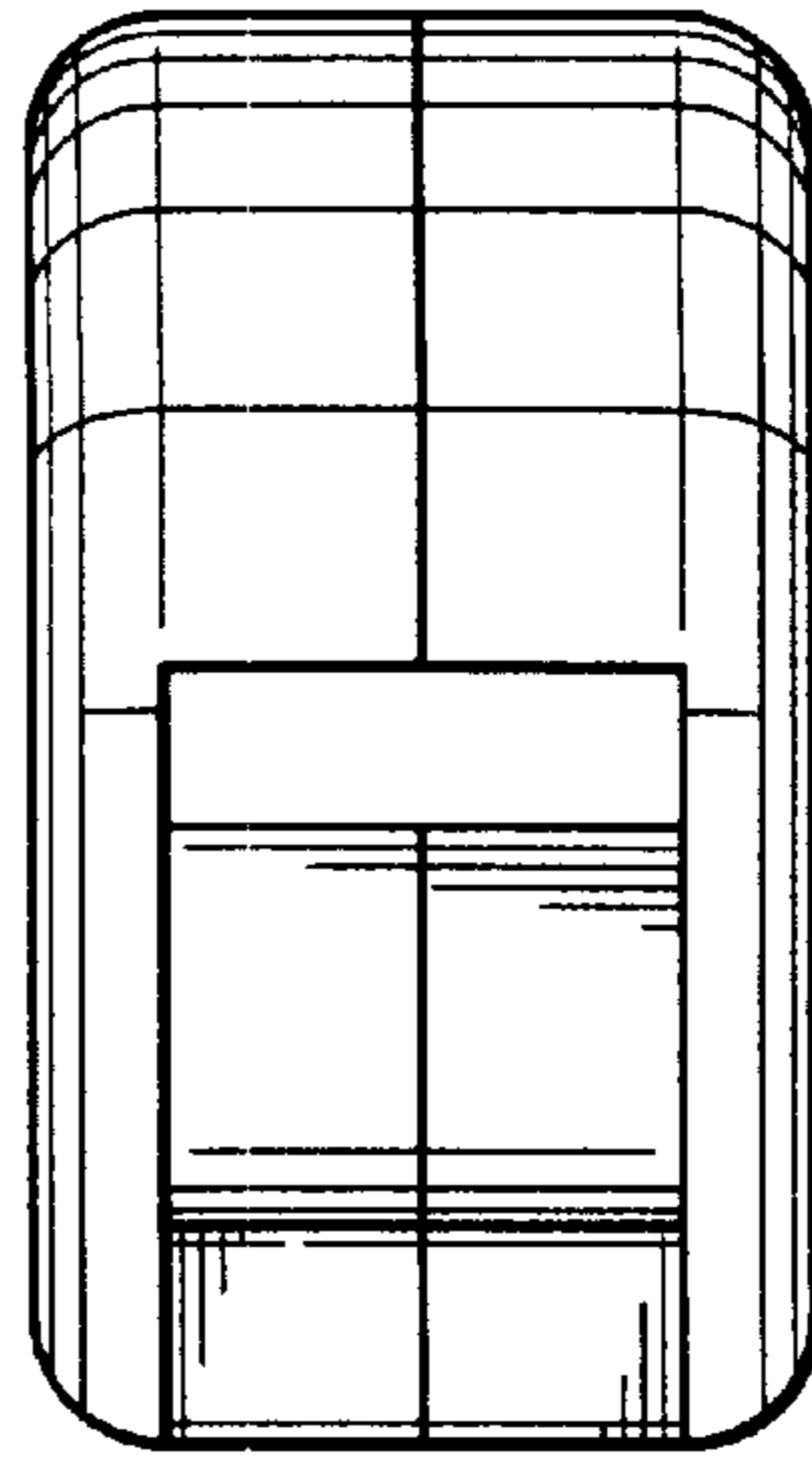


FIG. 8

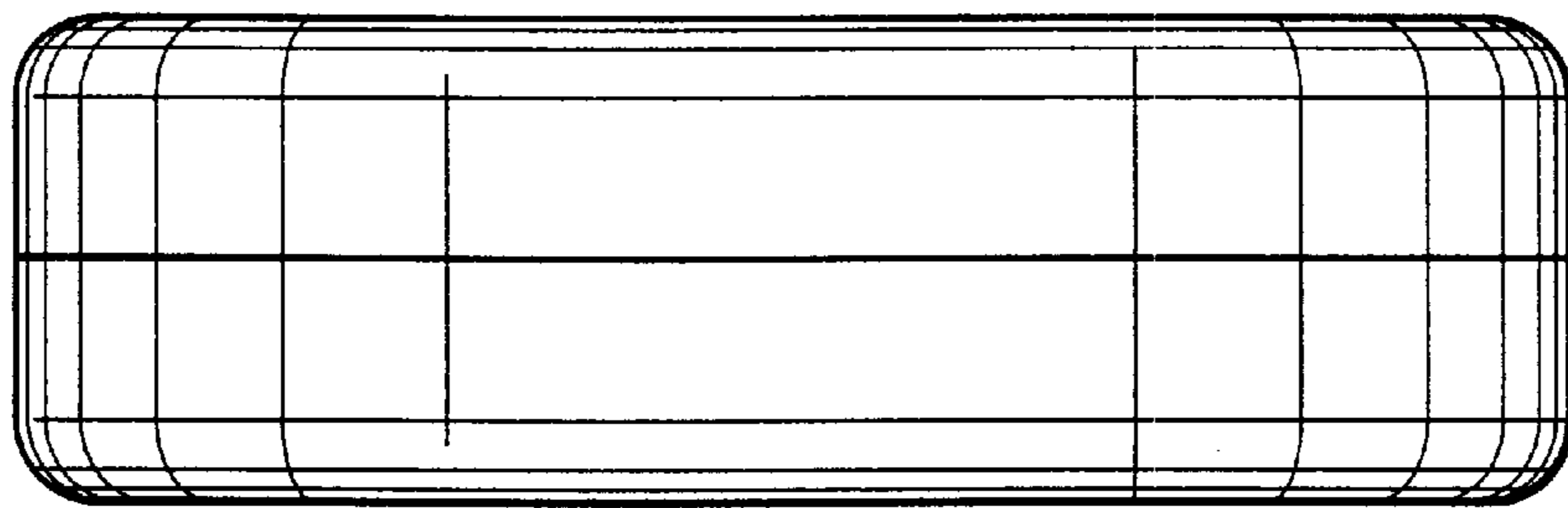


FIG. 9

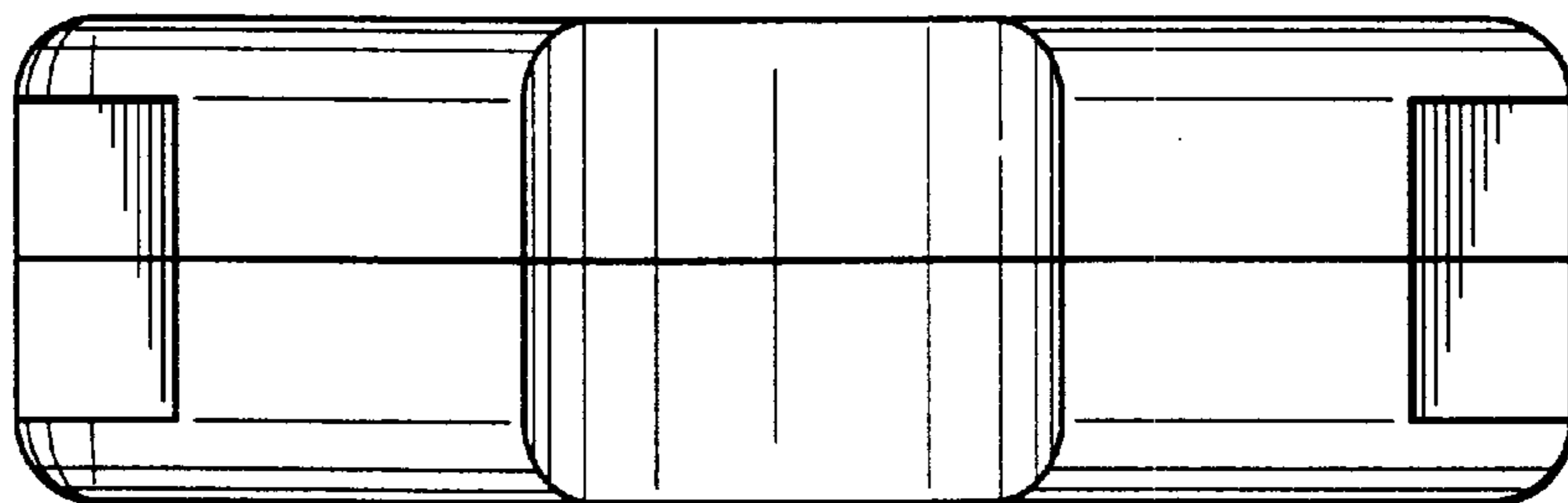


FIG. 10