



US00D412862S

United States Patent [19]
Maeyama

[11] **Patent Number: Des. 412,862**

[45] **Date of Patent: ** Aug. 17, 1999**

[54] **INFRARED DETECTOR**

[75] Inventor: **Koichi Maeyama**, Tokyo, Japan

[73] Assignee: **Sony Corporation**, Tokyo, Japan

[**] Term: **14 Years**

[21] Appl. No.: **29/075,637**

[22] Filed: **Sep. 3, 1997**

[51] **LOC (6) Cl.** **10-05**

[52] **U.S. Cl.** **D10/106**

[58] **Field of Search** D10/104, 106,
D10/116, 121; 340/541, 542, 543, 544,
545, 546, 547, 551, 571, 572, 573, 689

[56] **References Cited**

U.S. PATENT DOCUMENTS

D. 381,283	7/1997	Soreo	D10/106
D. 383,078	9/1997	Carmi	D10/106
D. 398,872	9/1998	Jan	D10/106
D. 399,155	10/1998	Roberts	D10/106

OTHER PUBLICATIONS

Catalog "Hi8 Handcam TRV 92", Laser Avlink, Sony Corporation (Mar. 1997).

Primary Examiner—Marcus A. Jackson

Attorney, Agent, or Firm—Foley & Lardner

[57] **CLAIM**

The ornamental design for an infrared detector, as shown and described.

DESCRIPTION

FIG. 1 is a perspective view of a first embodiment of an infrared detector showing my new design;

FIG. 2 is a top plan view thereof;

FIG. 3 is a front elevational view thereof;

FIG. 4 is a bottom plan view thereof;

FIG. 5 is a right side elevational view thereof, a left side elevational view thereof being a mirror image;

FIG. 6 is a rear elevational view thereof;

FIG. 7 is a perspective view of a second embodiment of an infrared ray receiver showing my new design;

FIG. 8 is a top plan view thereof;

FIG. 9 is a left side elevational view thereof;

FIG. 10 is a front elevational view thereof;

FIG. 11 is a bottom plan view thereof;

FIG. 12 is a right side elevational view thereof; and,

FIG. 13 is a rear elevational view thereof.

1 Claim, 6 Drawing Sheets

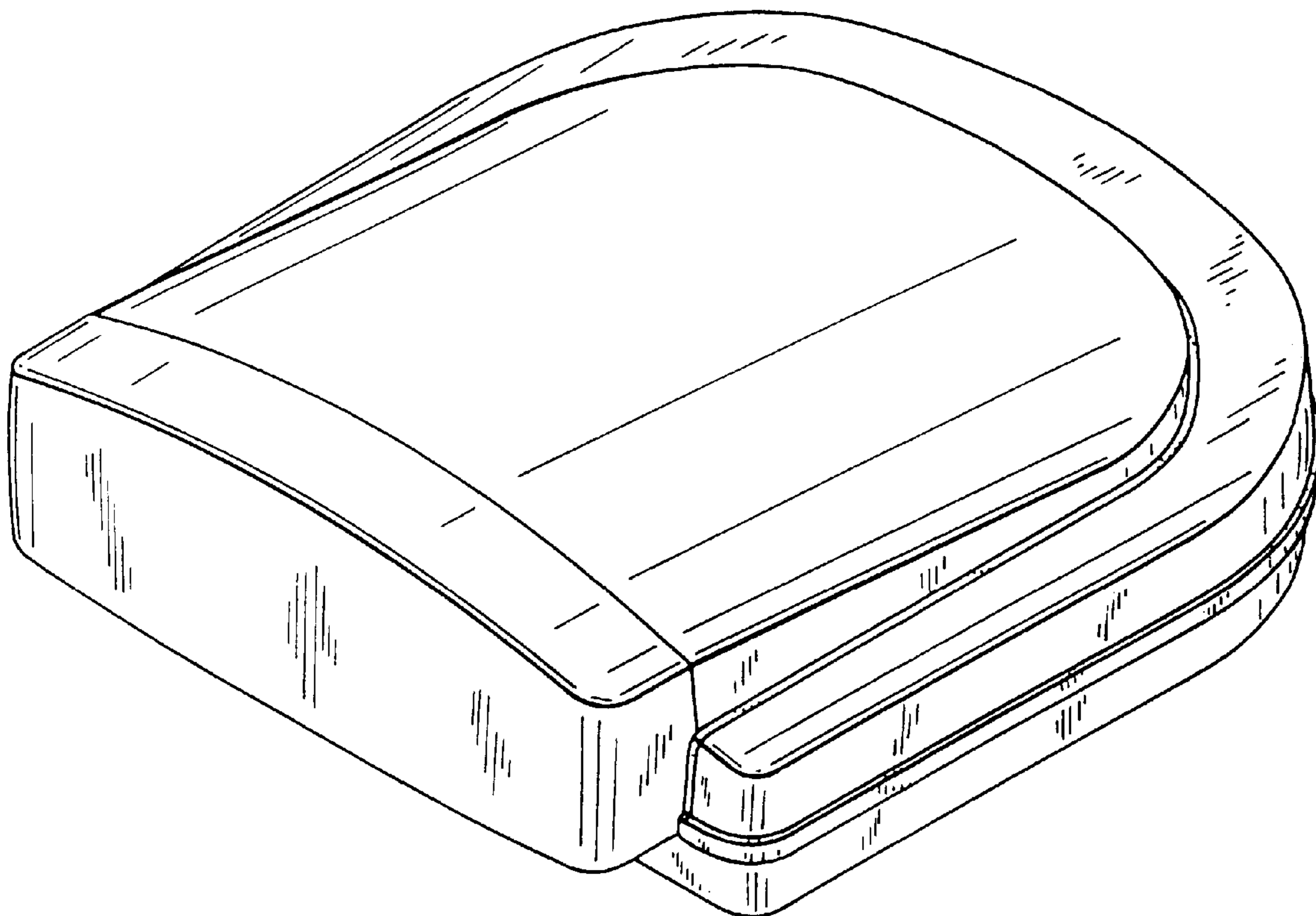


FIG. 1

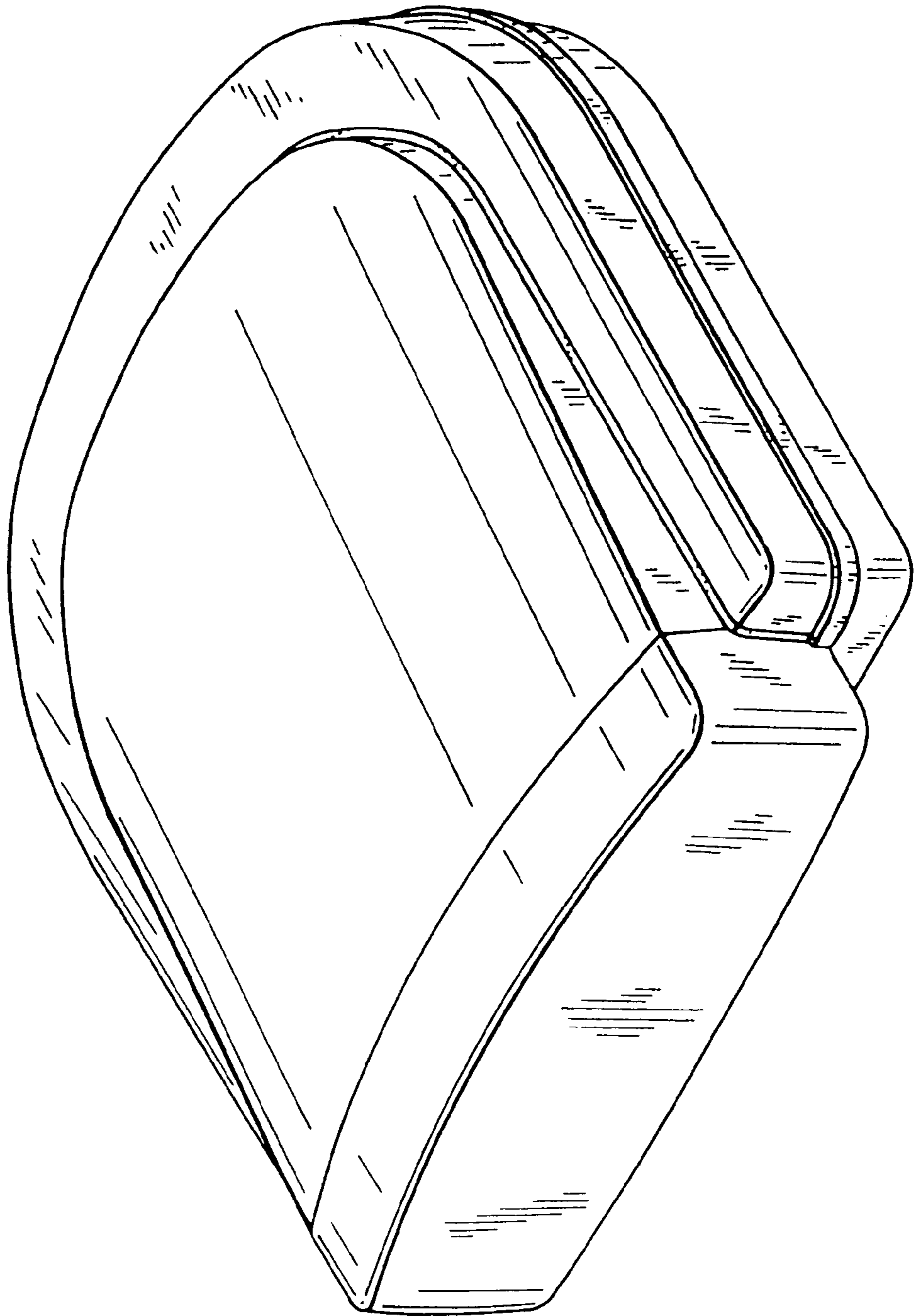


FIG. 3

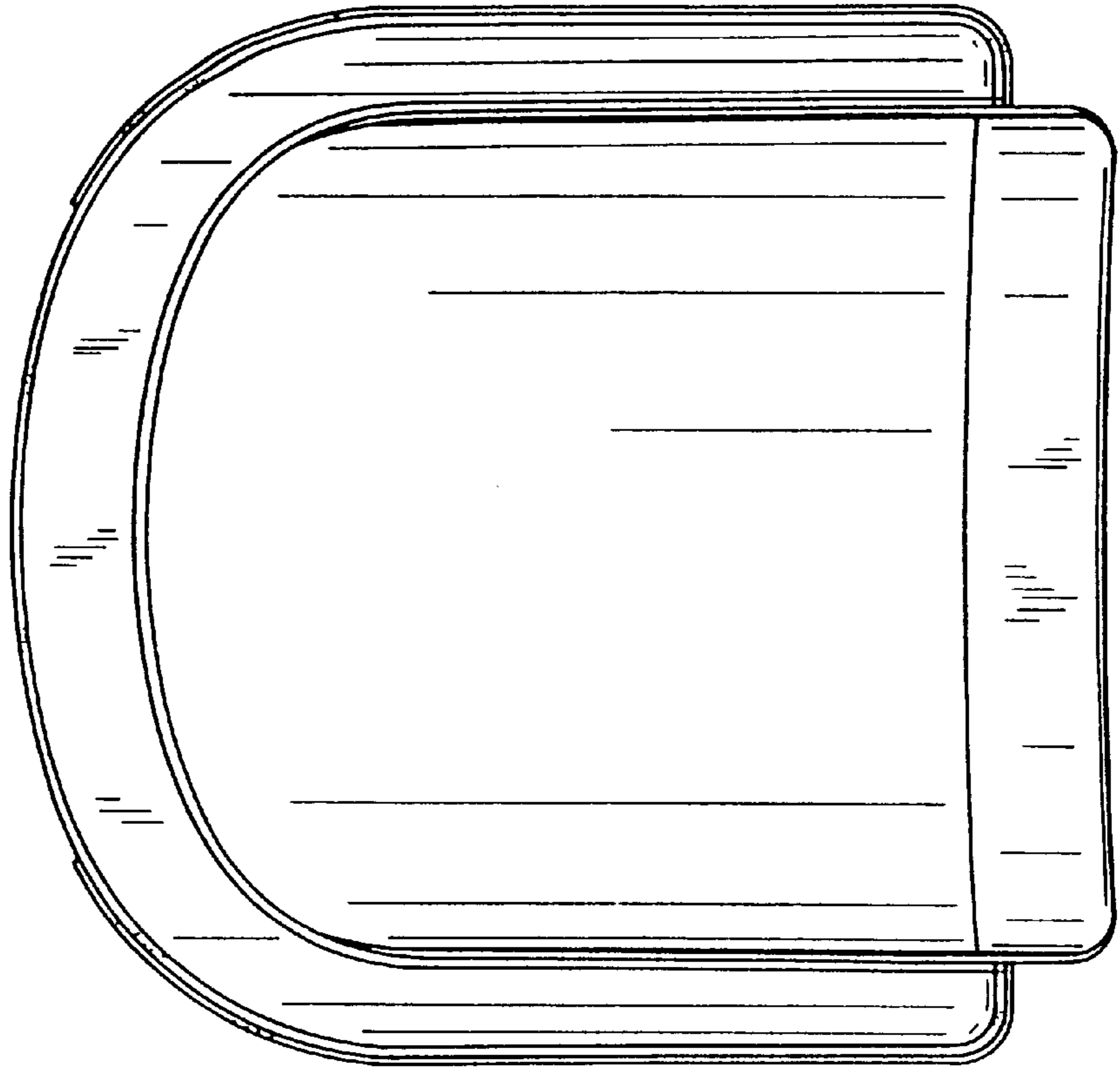


FIG. 2

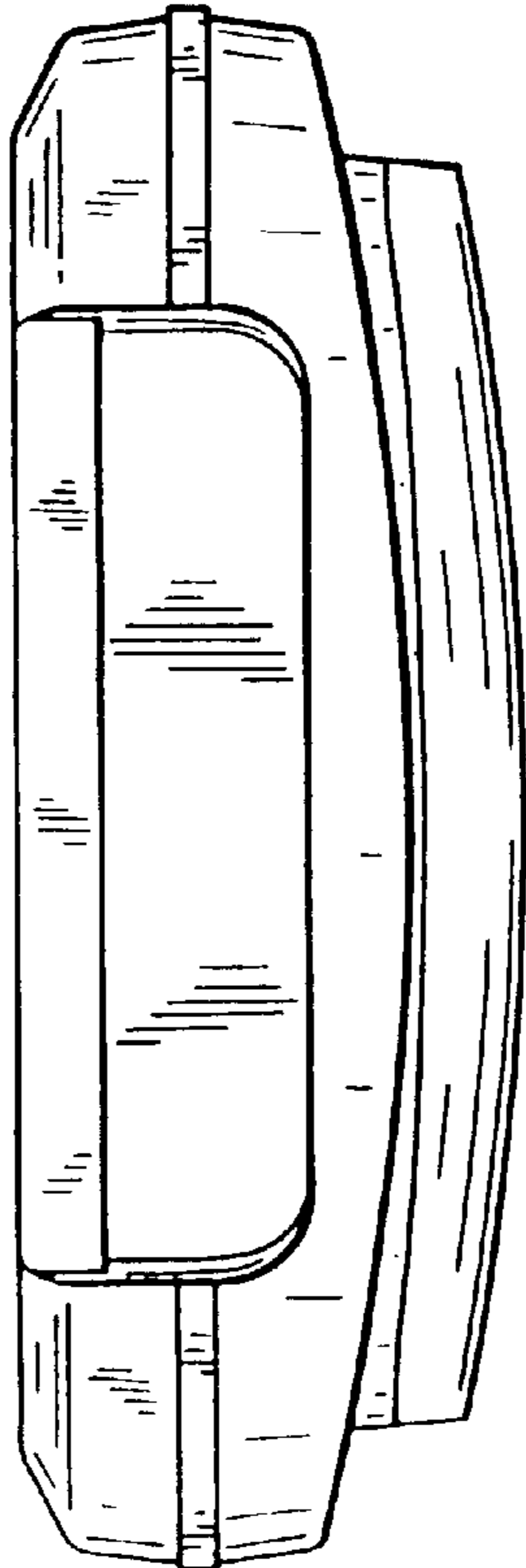


FIG. 6

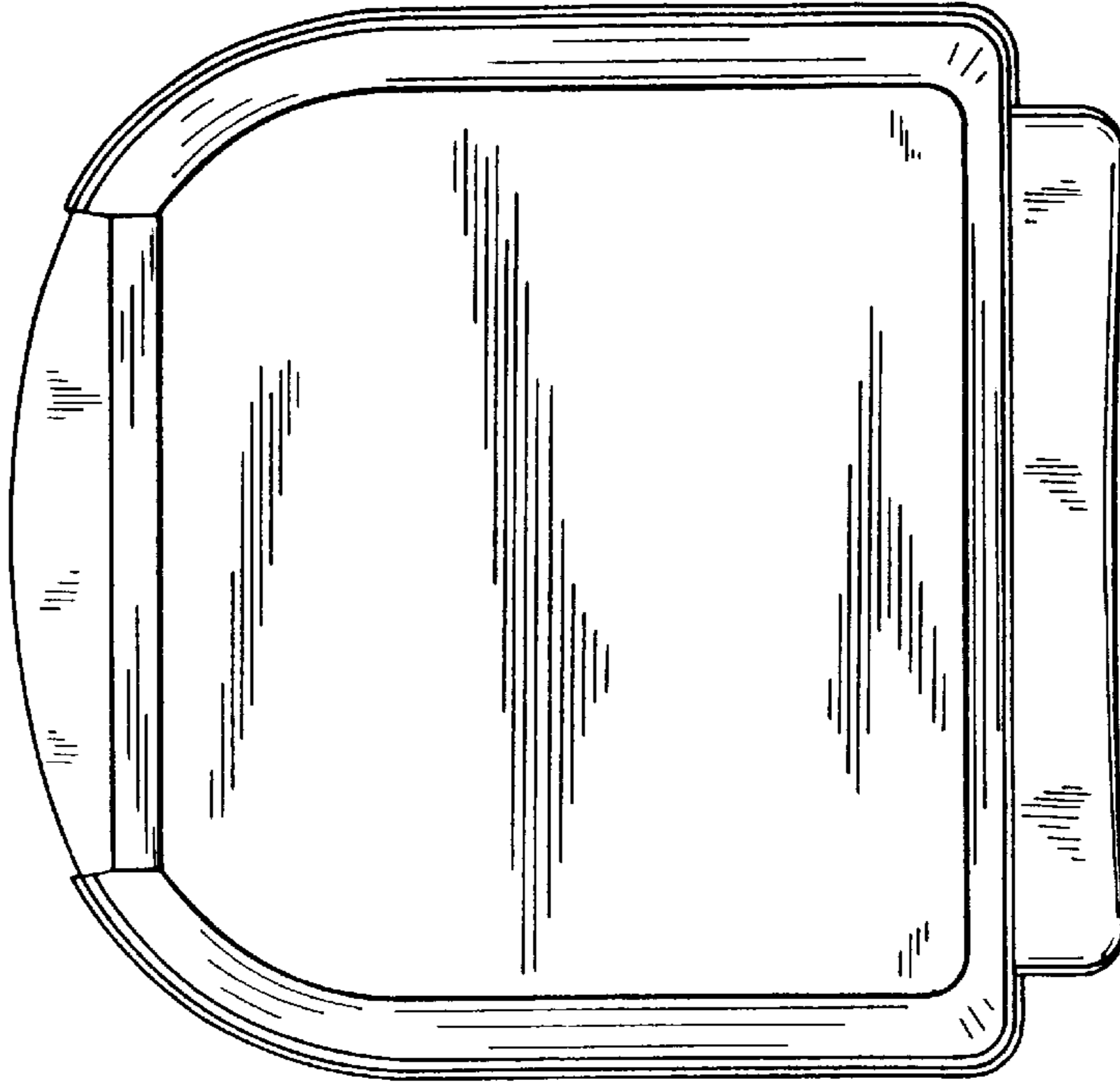


FIG. 5

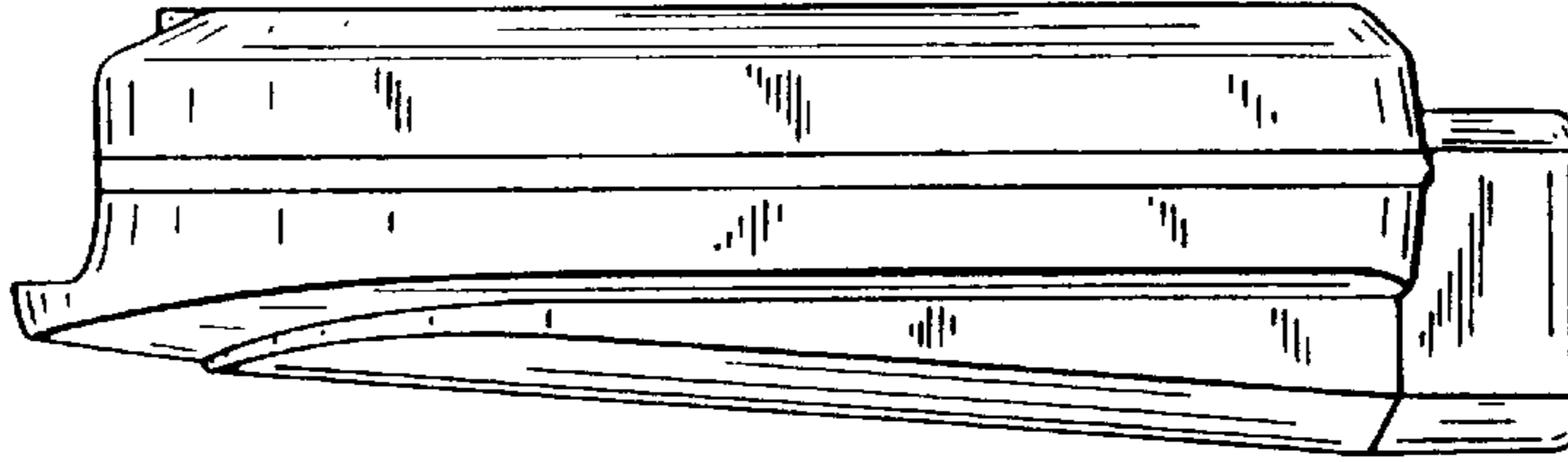


FIG. 4

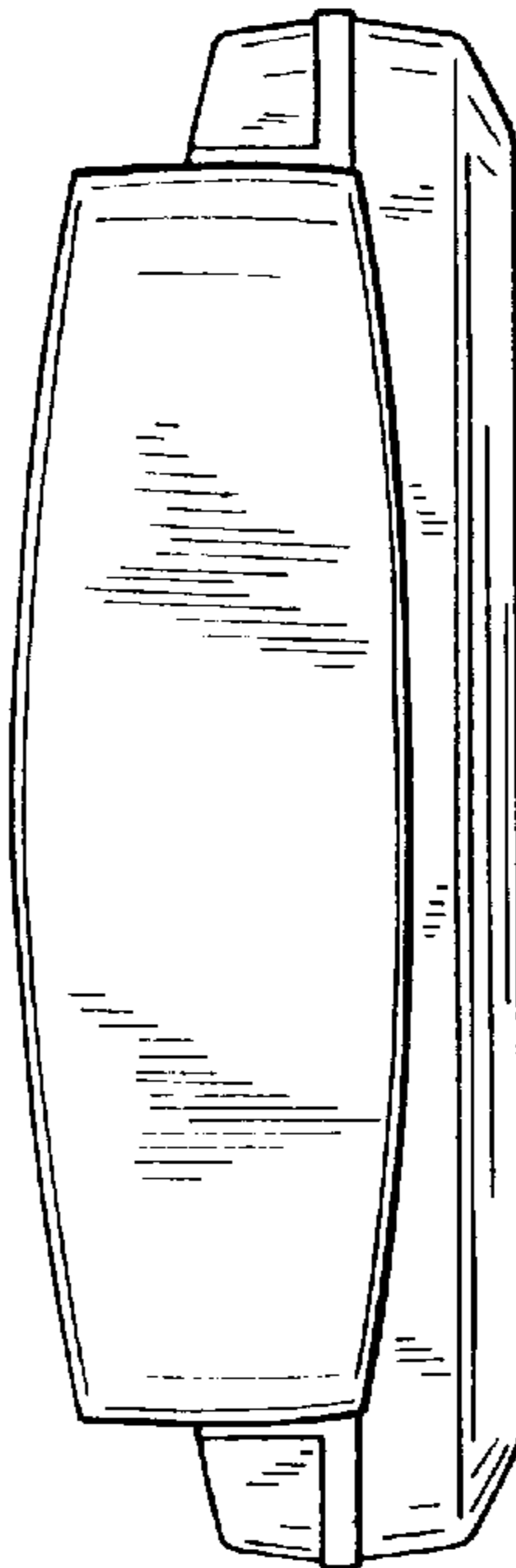


FIG. 7

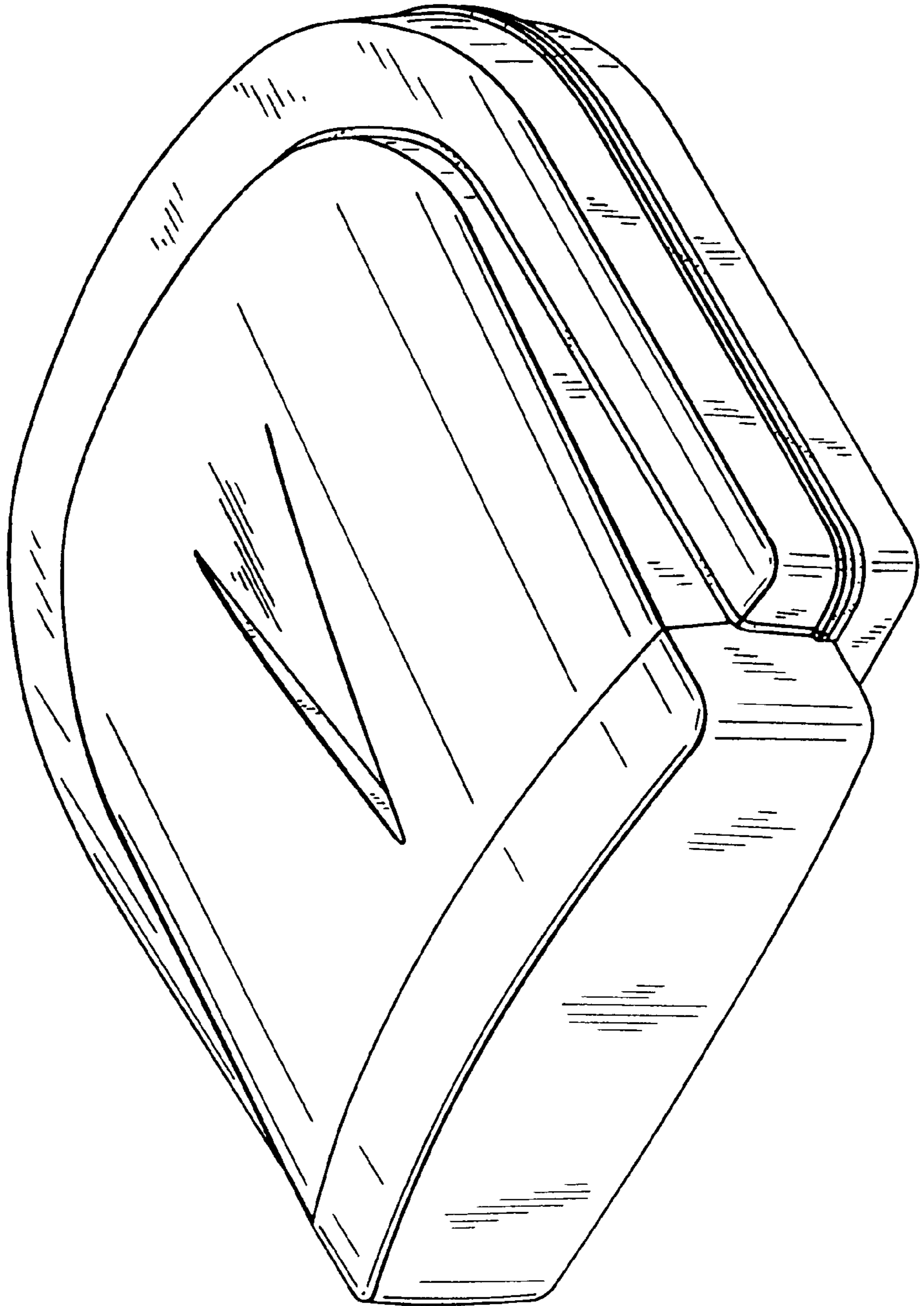


FIG. 10

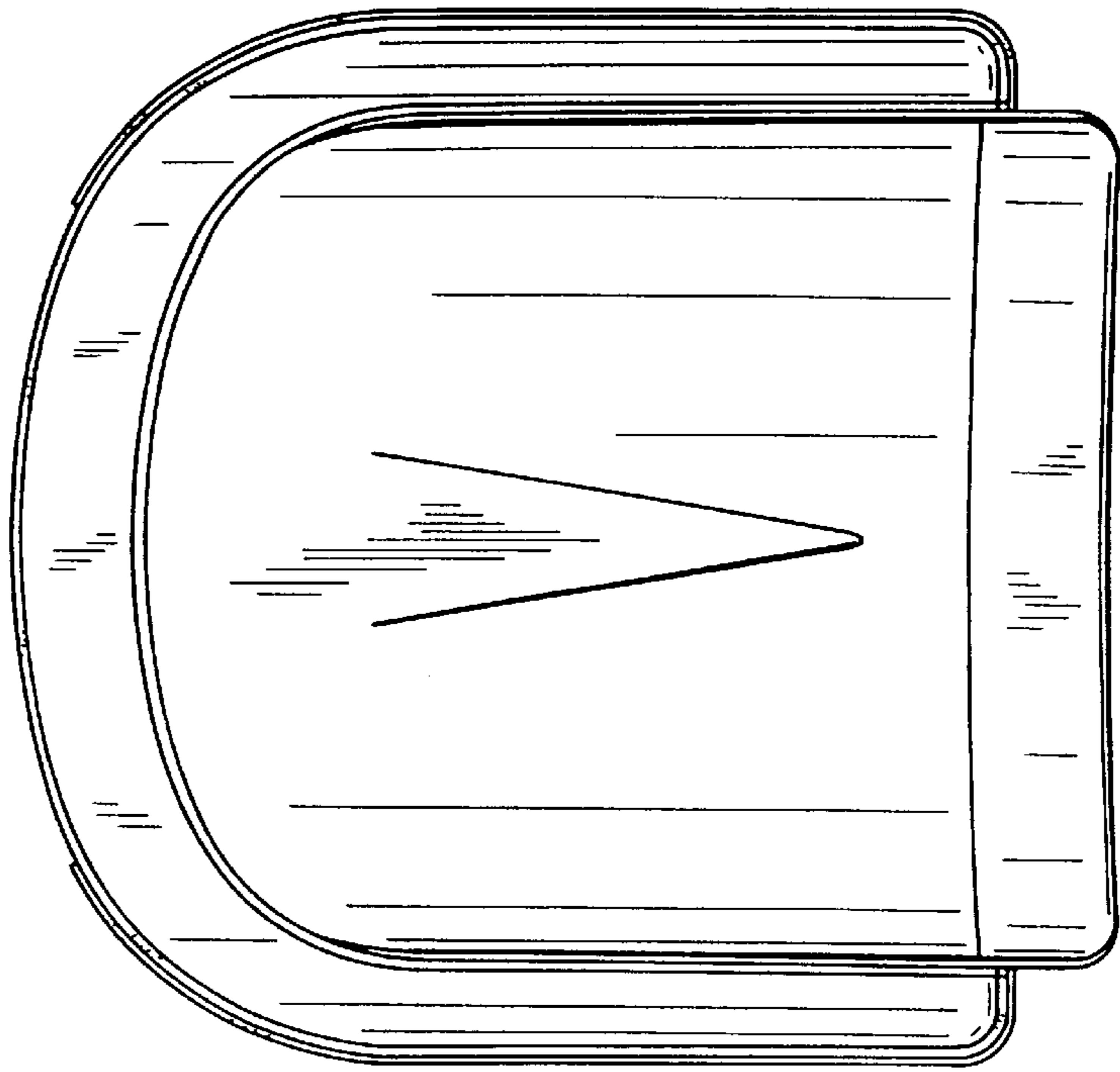


FIG. 9

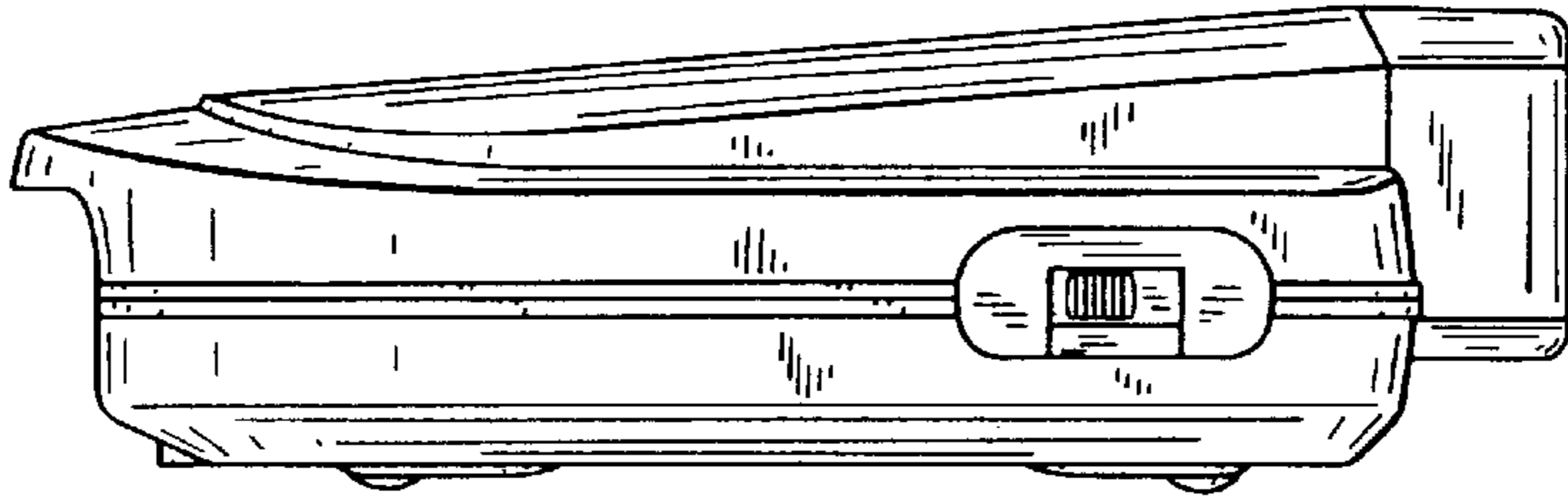


FIG. 8

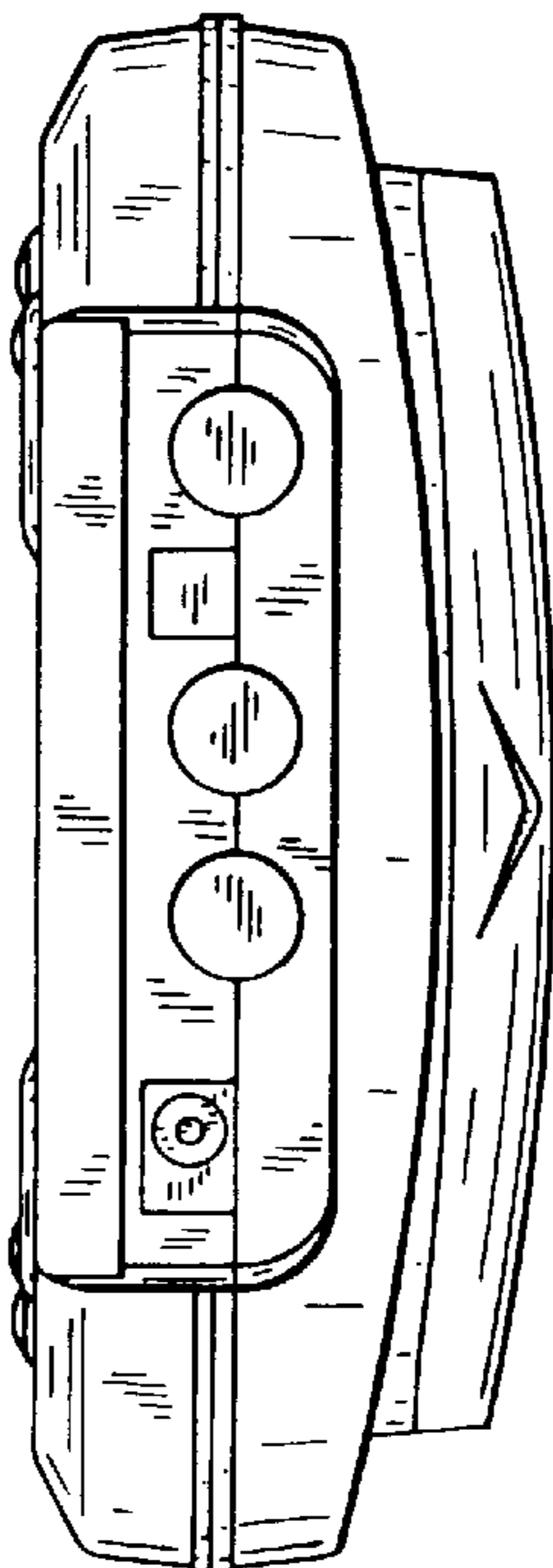


FIG.13

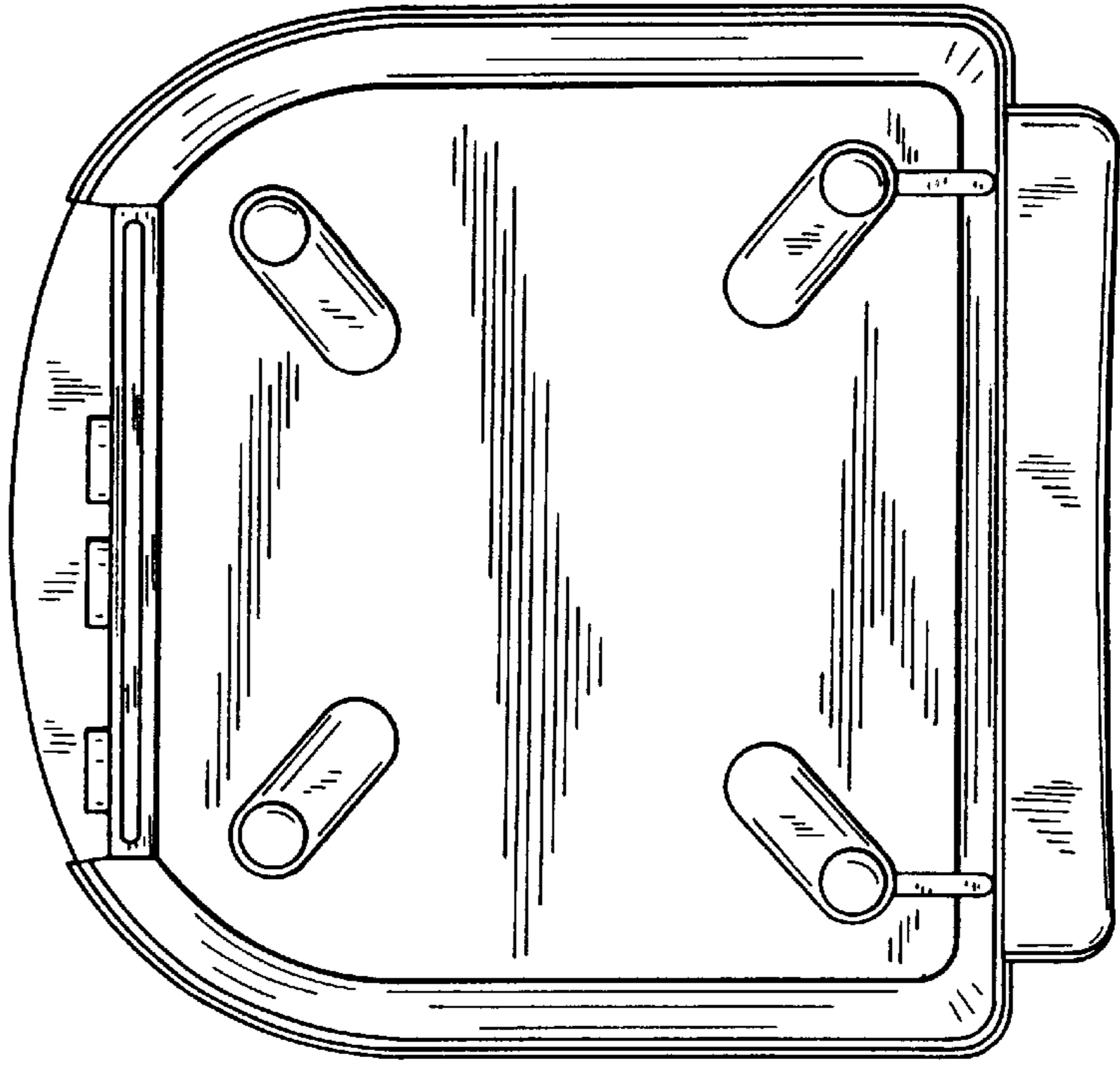


FIG.12

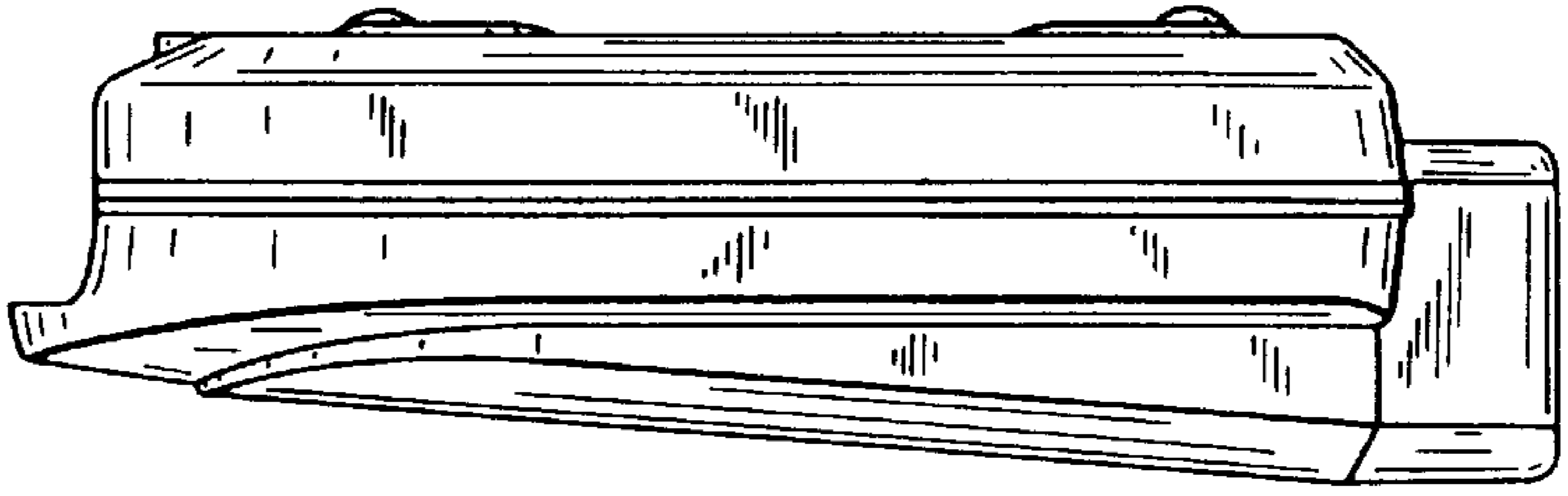


FIG.11

