



US00D412861S

# United States Patent [19]

Bonner et al.

[11] Patent Number: Des. 412,861

[45] Date of Patent: \*\* Aug. 17, 1999

[54] HAND HELD INFRARED DETECTION UNIT

D. 361,535 8/1995 Levenberg ..... D10/106

[76] Inventors: **Jerry D. Bonner**, 2007 Bob Wallace Ave. SW., Huntsville, Ala. 35805; **Andrew Filo**, 22670 Oakcrest, Cupertino, Calif. 95014

*Primary Examiner*—Marcus A. Jackson  
*Attorney, Agent, or Firm*—Lanier Ford Shaver & Payne P.C.; Frank M. Caprio, Esq.; Russell L. Sandidge, Esq.

[\*\*] Term: 14 Years

### [57] CLAIM

The ornamental design for a hand held infrared detection unit, as shown.

[21] Appl. No.: 29/074,694

[22] Filed: Jul. 31, 1997

### DESCRIPTION

#### Related U.S. Application Data

[63] Continuation-in-part of application No. 29/048,587, Jan. 4, 1996, abandoned.

FIG. 1 is a perspective view of the invention from the upper right side;  
FIG. 2 is a top plan view of the invention as shown in FIG. 1;  
FIG. 3 is a front elevational view taken along the line 3—3 in FIG. 2;  
FIG. 4 is a rear elevational view taken along the line 4—4 in FIG. 2;  
FIG. 5 is a left side elevational view taken along the line 5—5 in FIG. 2;  
FIG. 6 is a bottom plan view of the invention as shown in FIG. 1; and,  
FIG. 7 is a right side elevational view taken along the line 7—7 in FIG. 6.

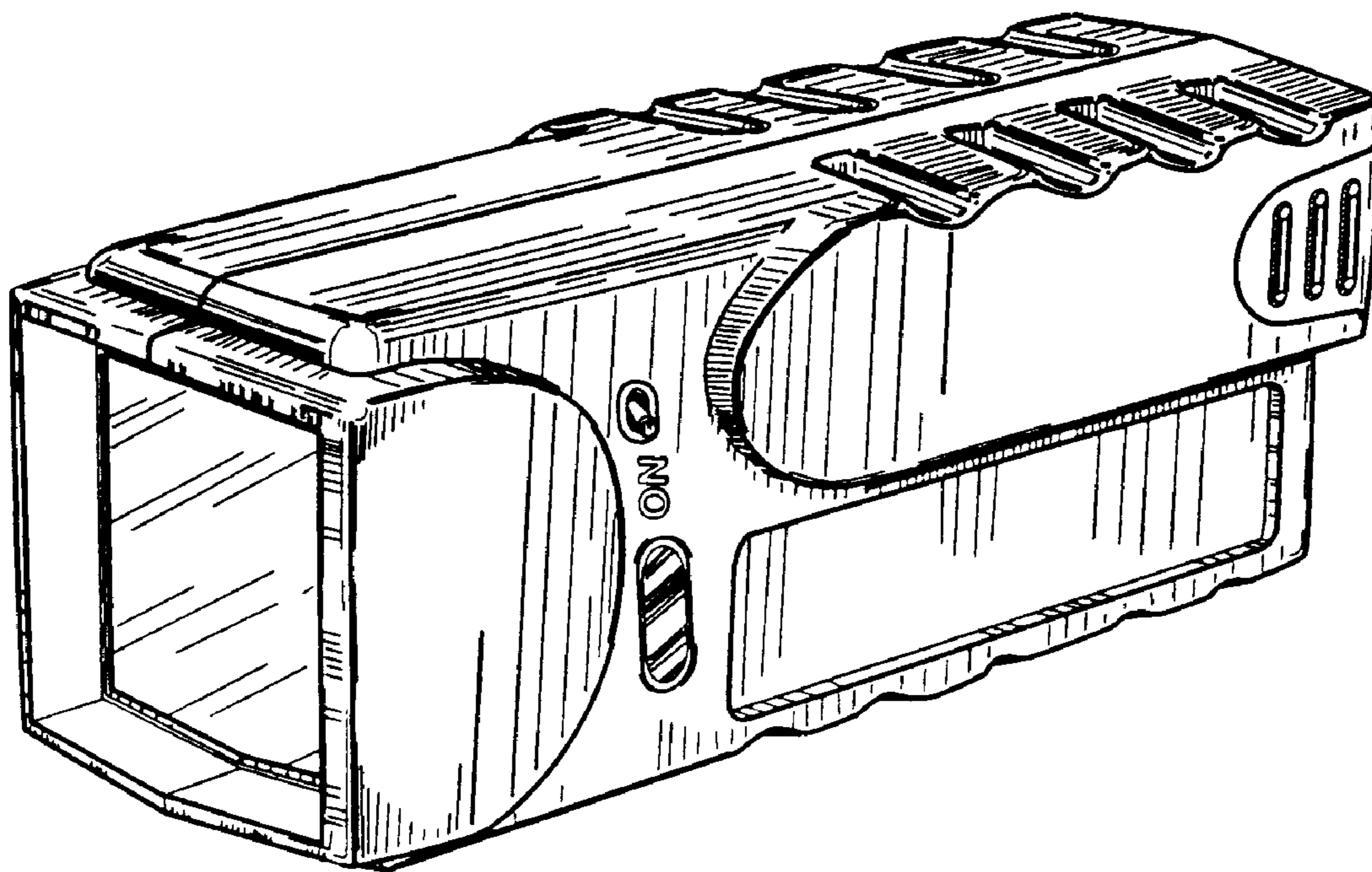
[51] LOC (6) Cl. .... 10-05  
[52] U.S. Cl. .... D10/106  
[58] Field of Search ..... D10/104, 106,  
D10/116, 121; 340/540, 541, 545, 571,  
572, 573, 584

#### [56] References Cited

##### U.S. PATENT DOCUMENTS

D. 340,000 10/1993 Issa ..... D10/106  
D. 351,173 10/1994 Yeh ..... D10/106

1 Claim, 3 Drawing Sheets



**FIG.1**

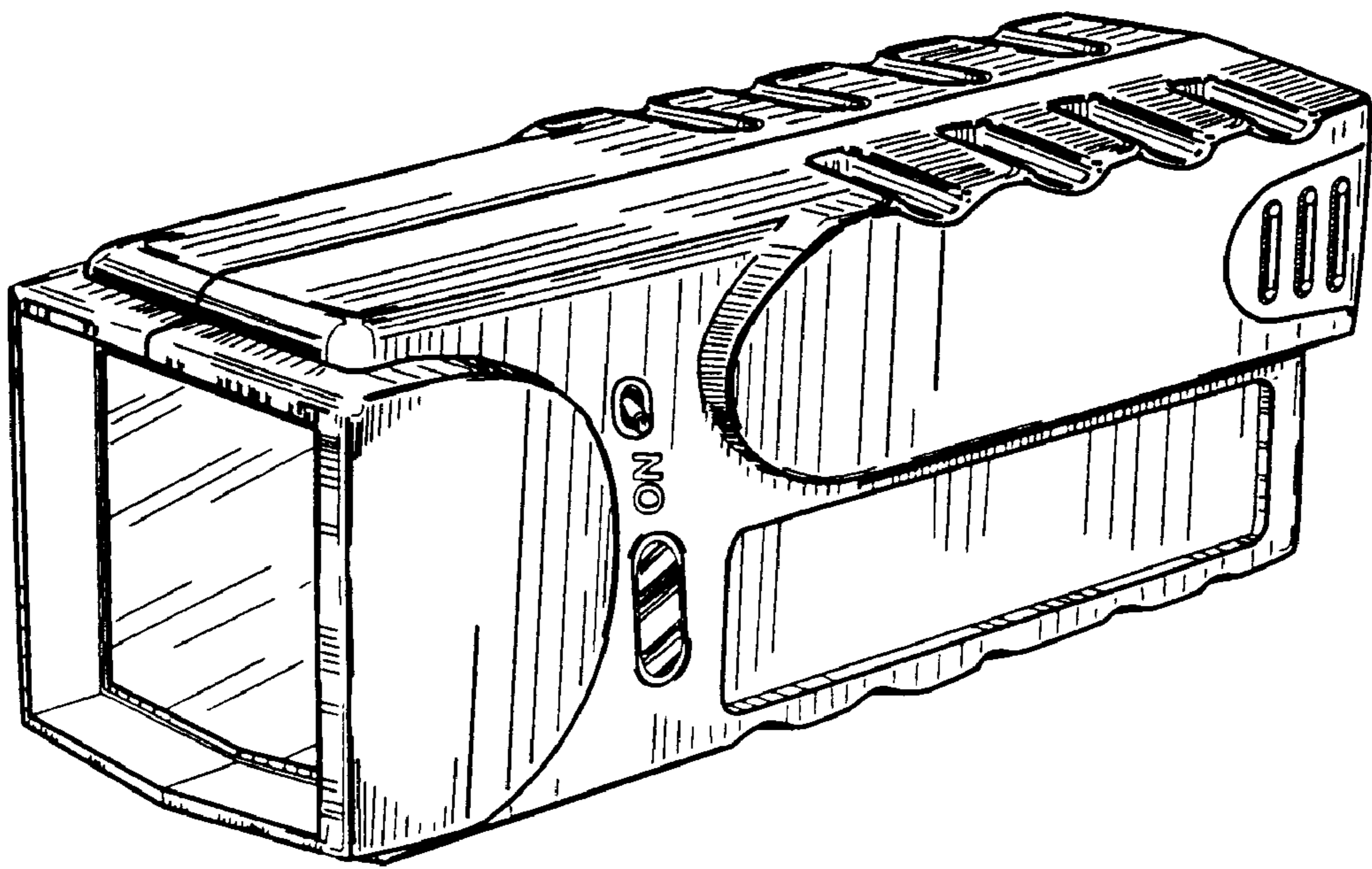


FIG.3

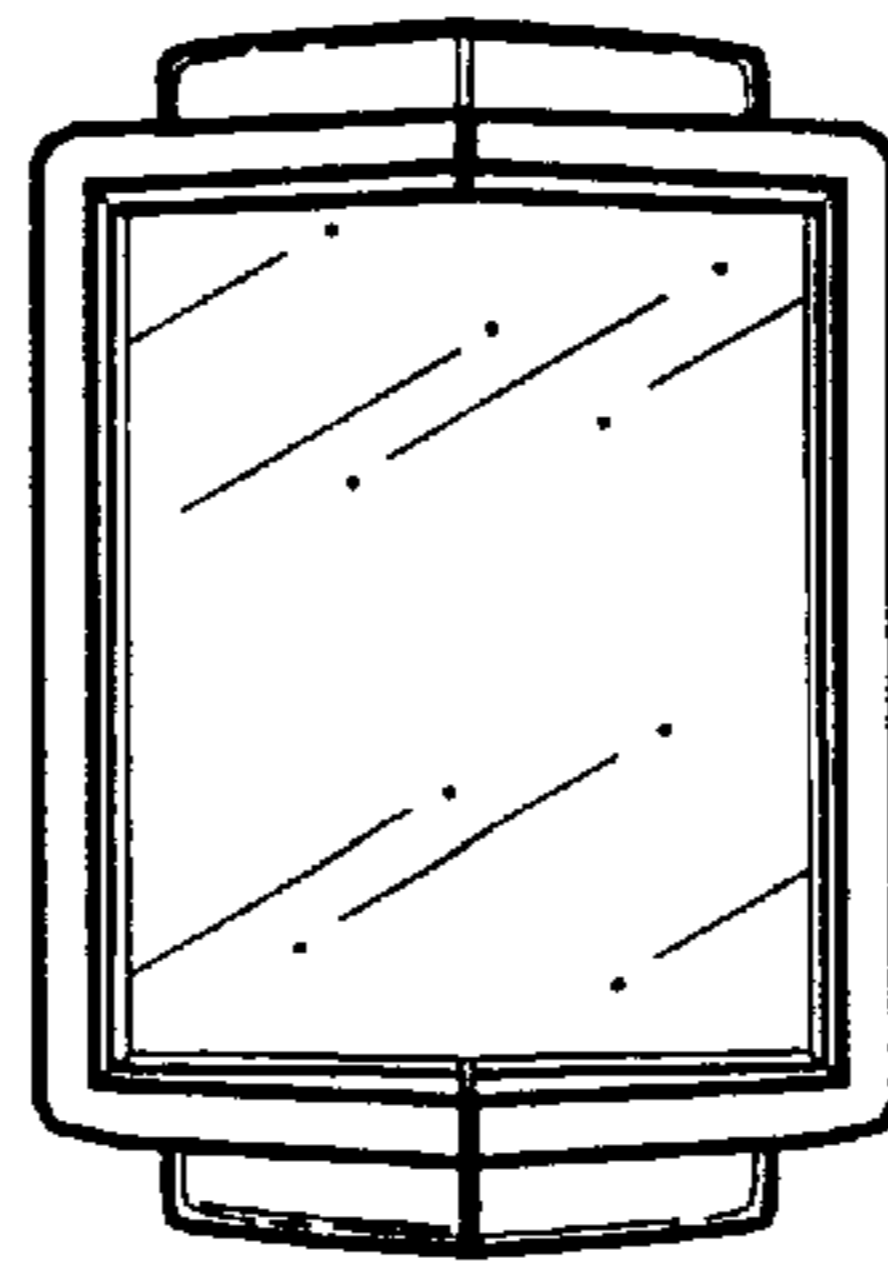


FIG.2

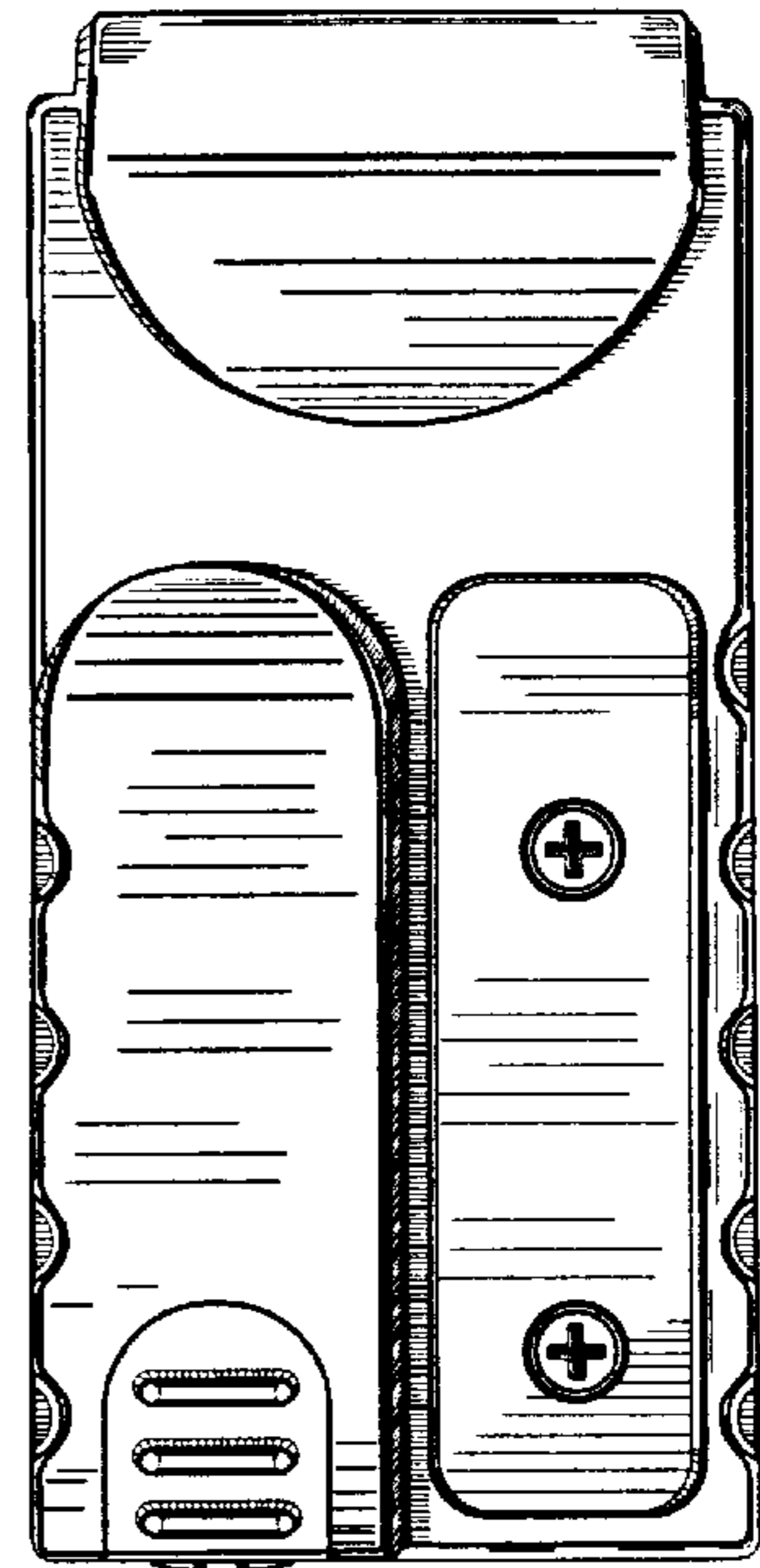
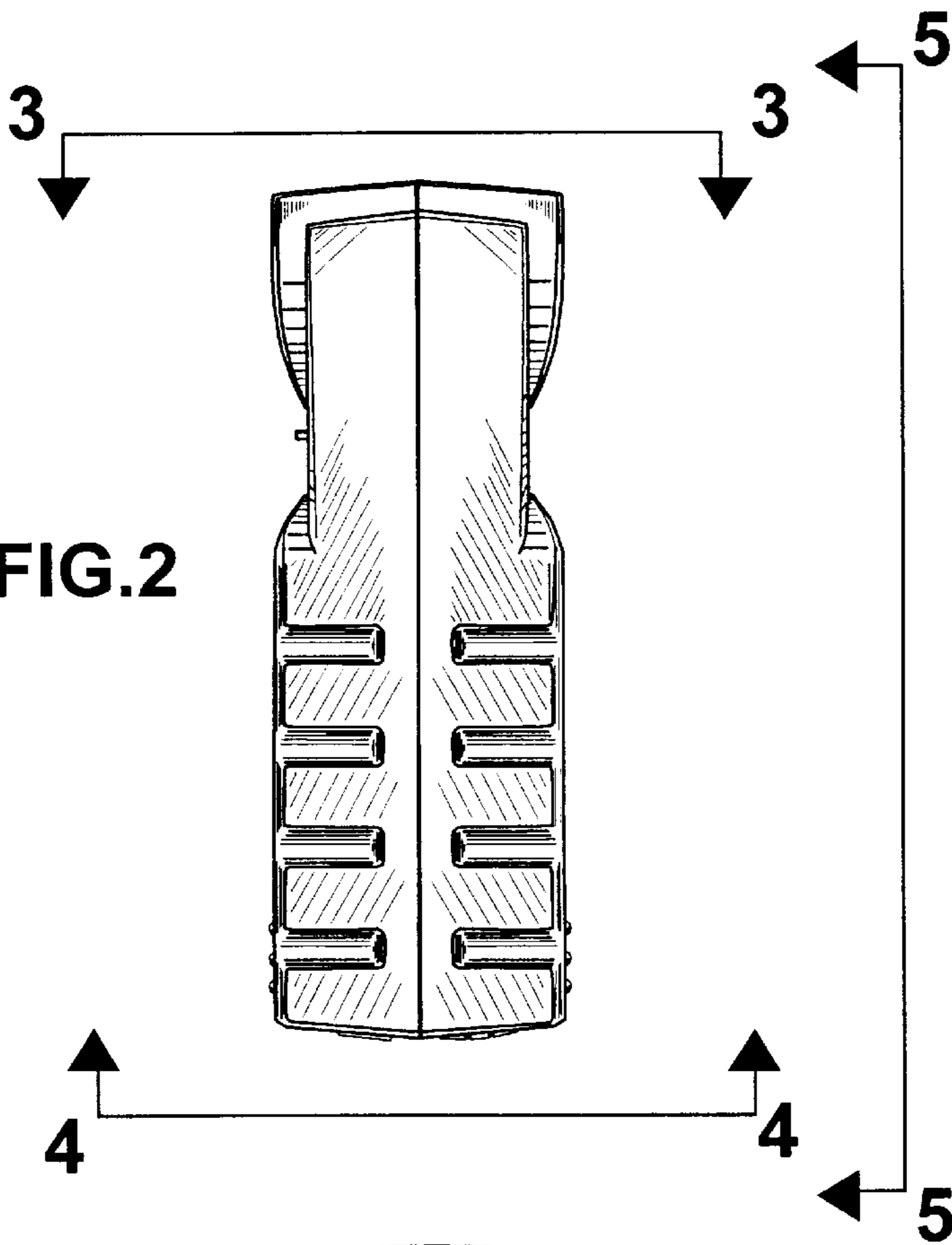
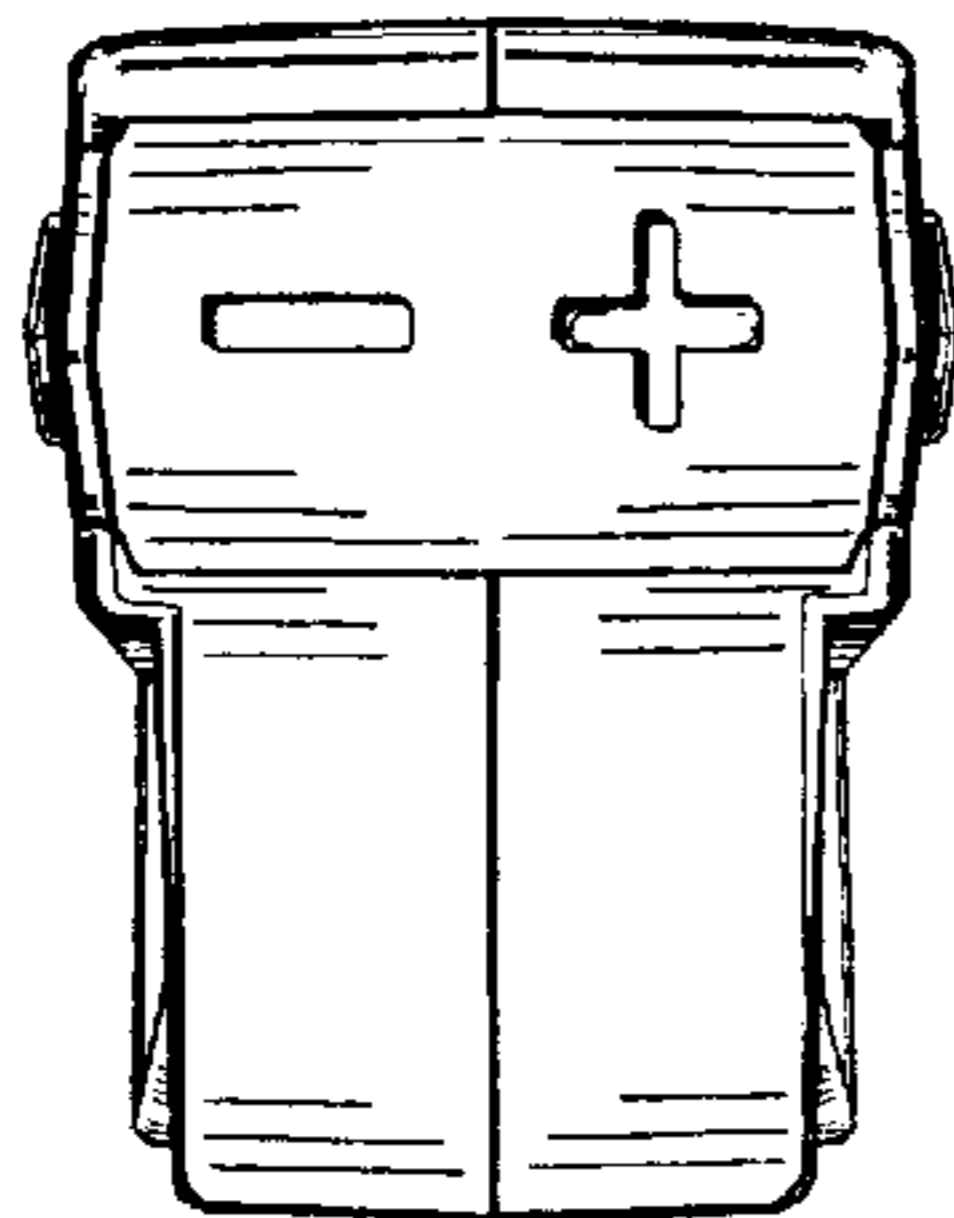


FIG.5

FIG.4



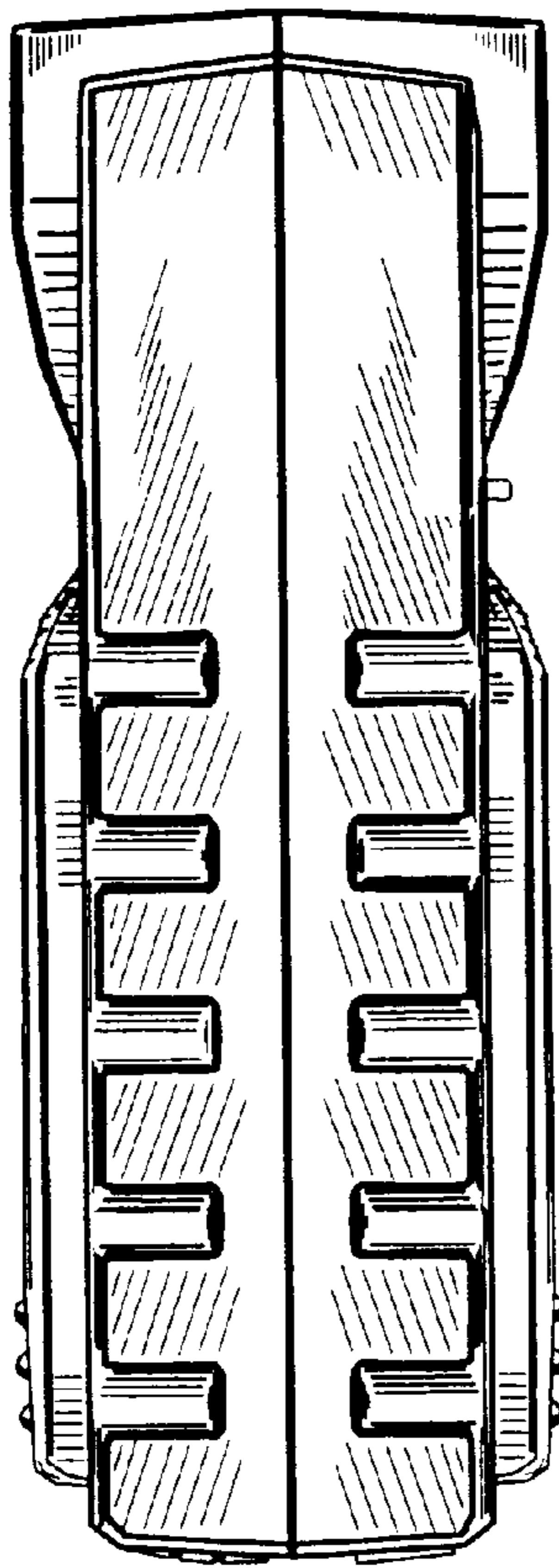


FIG. 6

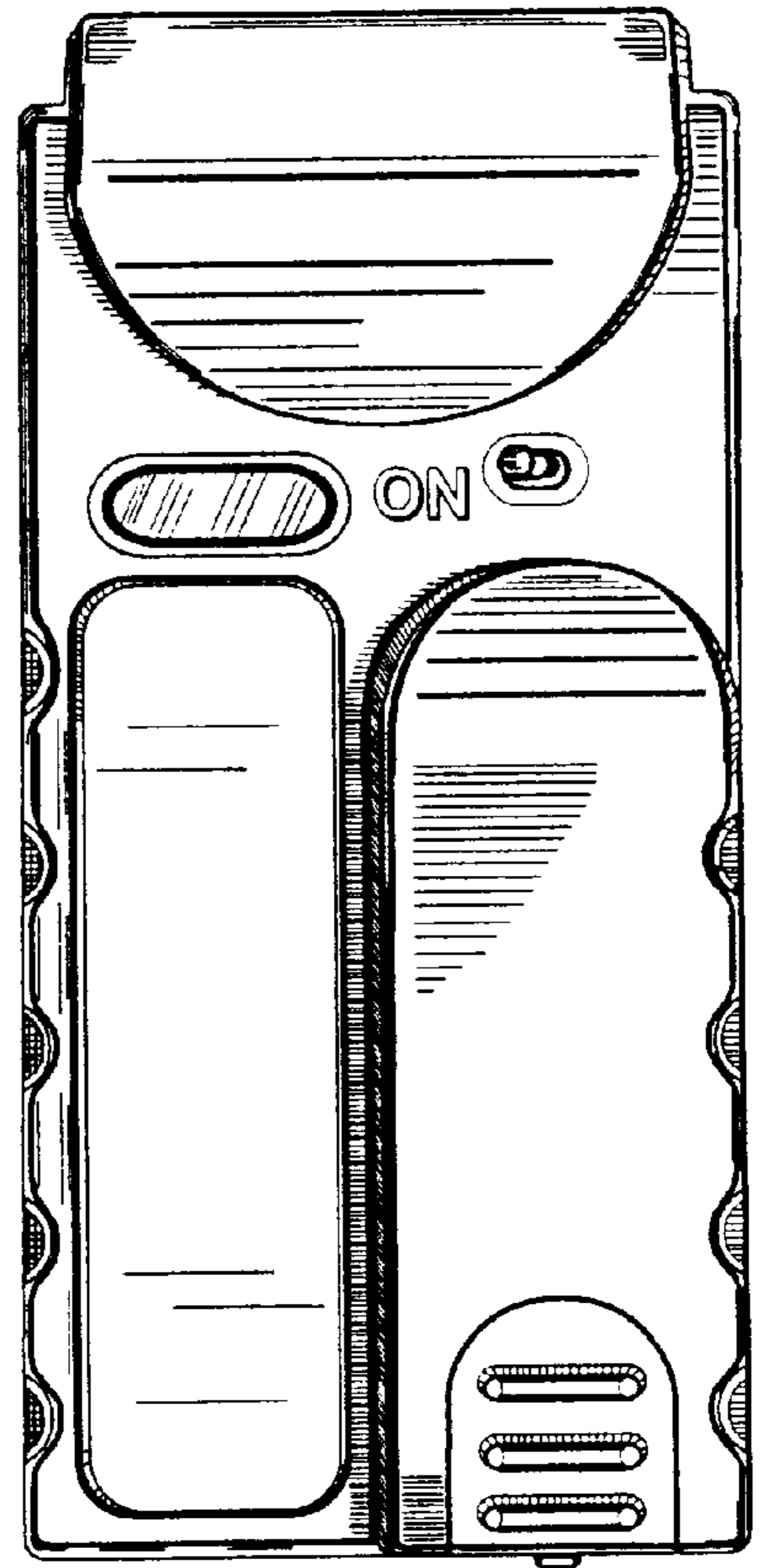
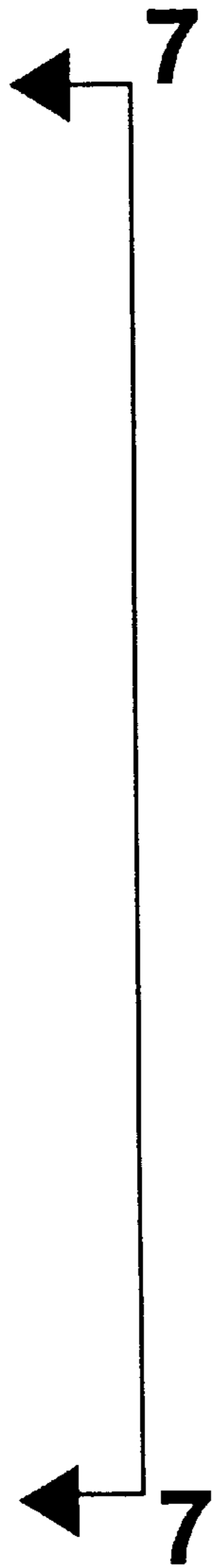


FIG. 7