



US00D412860S

United States Patent [19]
Maher

[11] **Patent Number: Des. 412,860**

[45] **Date of Patent: ** Aug. 17, 1999**

[54] **GOLF BALL RETRIEVAL SYSTEM**

[76] Inventor: **Stephen Maher**, 94, Ashoale, Station Rd., Randalstown, N. Ireland, United Kingdom, BT41 2AY

[**] Term: **14 Years**

[21] Appl. No.: **29/087,307**

[22] Filed: **Apr. 30, 1998**

[51] **LOC (6) Cl.** **10-05**

[52] **U.S. Cl.** **D10/104; D21/789**

[58] **Field of Search** D21/789, 793, D21/796; D3/221; D10/104; 340/571, 572.1-572.9, 573.1-573.7; 294/19.2

[56] **References Cited**

U.S. PATENT DOCUMENTS

D. 202,628	10/1965	Judge	D21/789
D. 247,452	3/1978	Kitay	D21/793
D. 383,077	9/1997	Peyton	D10/104
5,772,090	6/1998	Rodriguez	D3/221 X

Primary Examiner—Mitchell Siegel
Attorney, Agent, or Firm—Rader, Fishman & Grauer, PLLC

[57] **CLAIM**

The ornamental design for a golf ball retrieval system, as shown and described.

DESCRIPTION

FIG. 1 is a view of the front face of the golf ball retrieval system

FIG. 2 is a view of the reverse face of the golf ball retrieval system

FIG. 3 is a view of the right face of the golf ball retrieval system

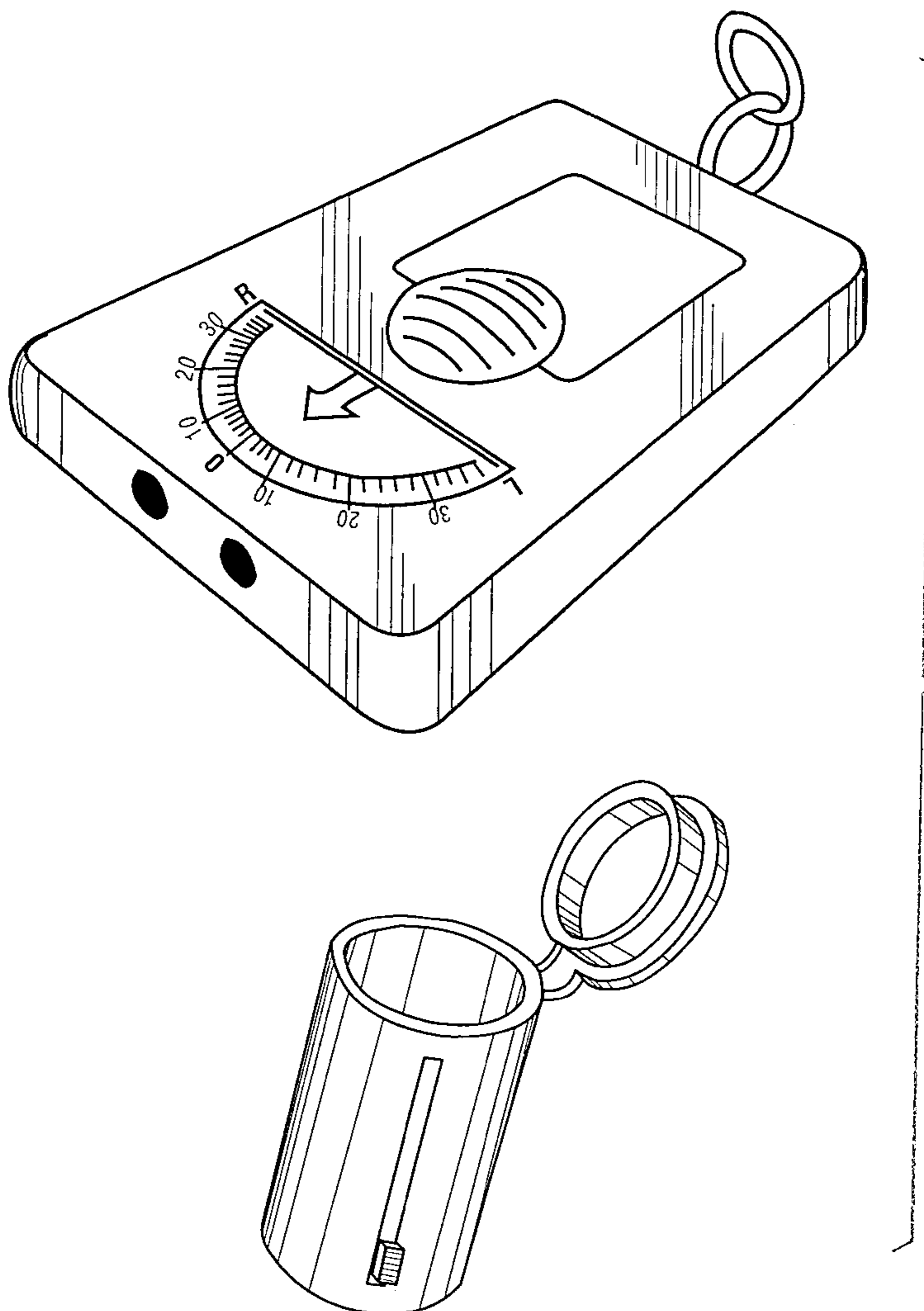
FIG. 4 is a view of the left face of the golf ball retrieval system

FIG. 5 is a view of the top face of the golf ball retrieval system

FIG. 6 is a view of the bottom face of the golf ball retrieval system; and,

FIG. 7 is an isometric view of the golf ball retrieval system.

1 Claim, 4 Drawing Sheets



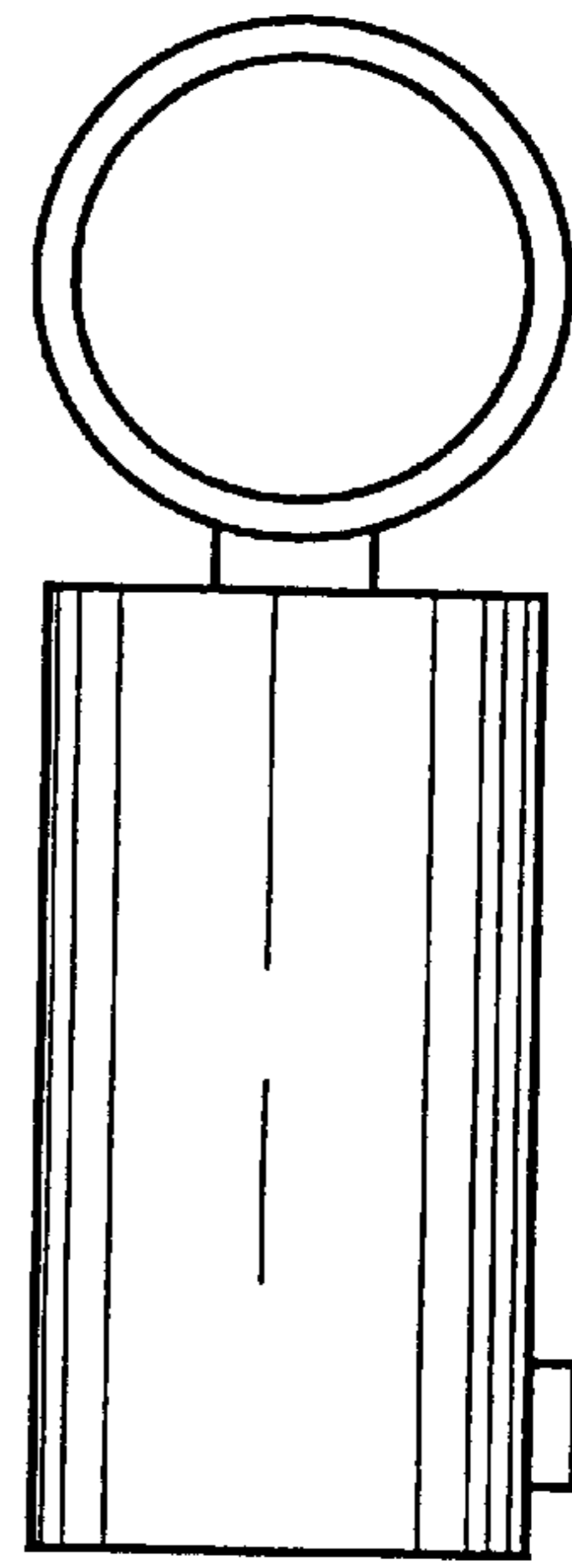
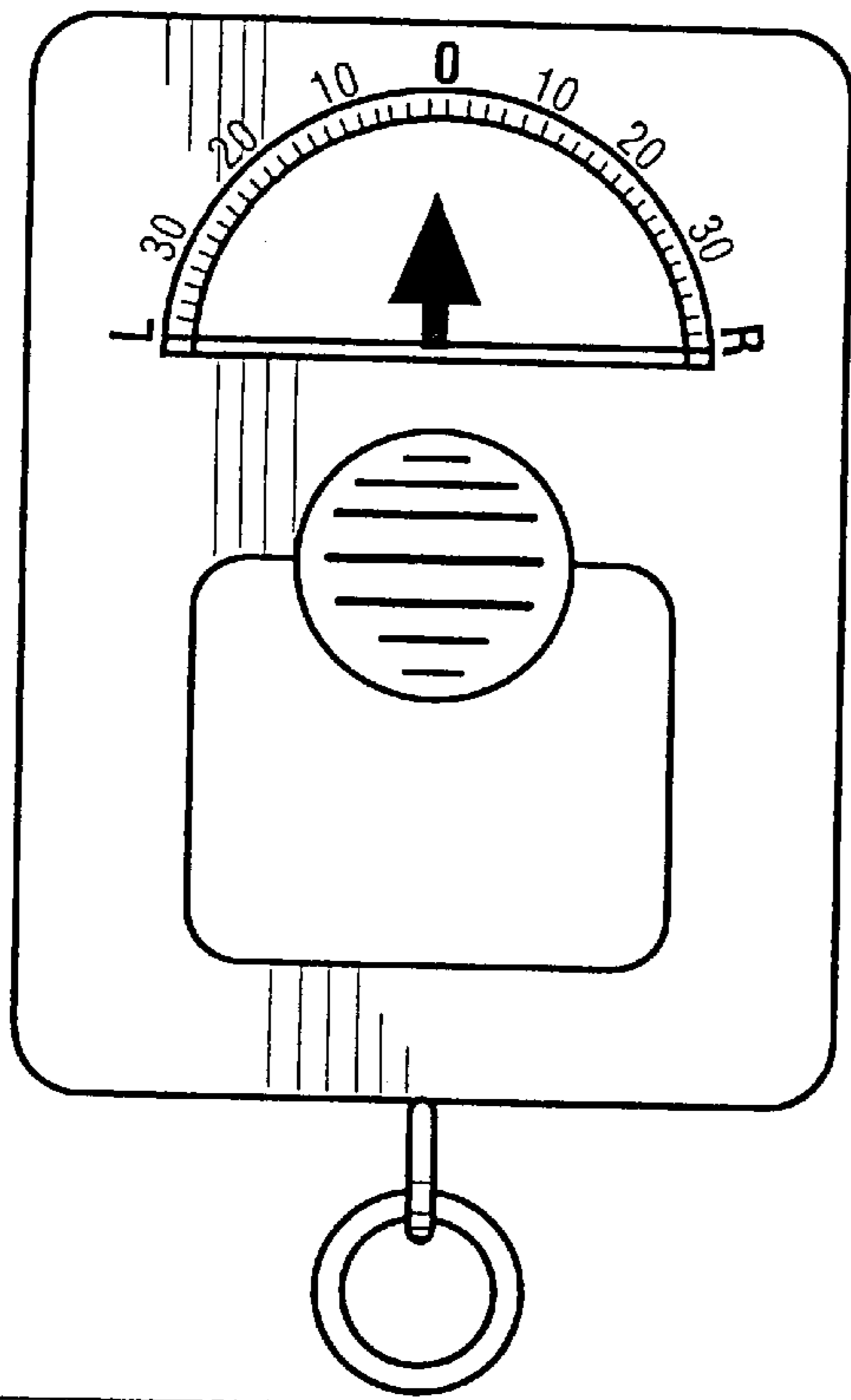


FIG 1

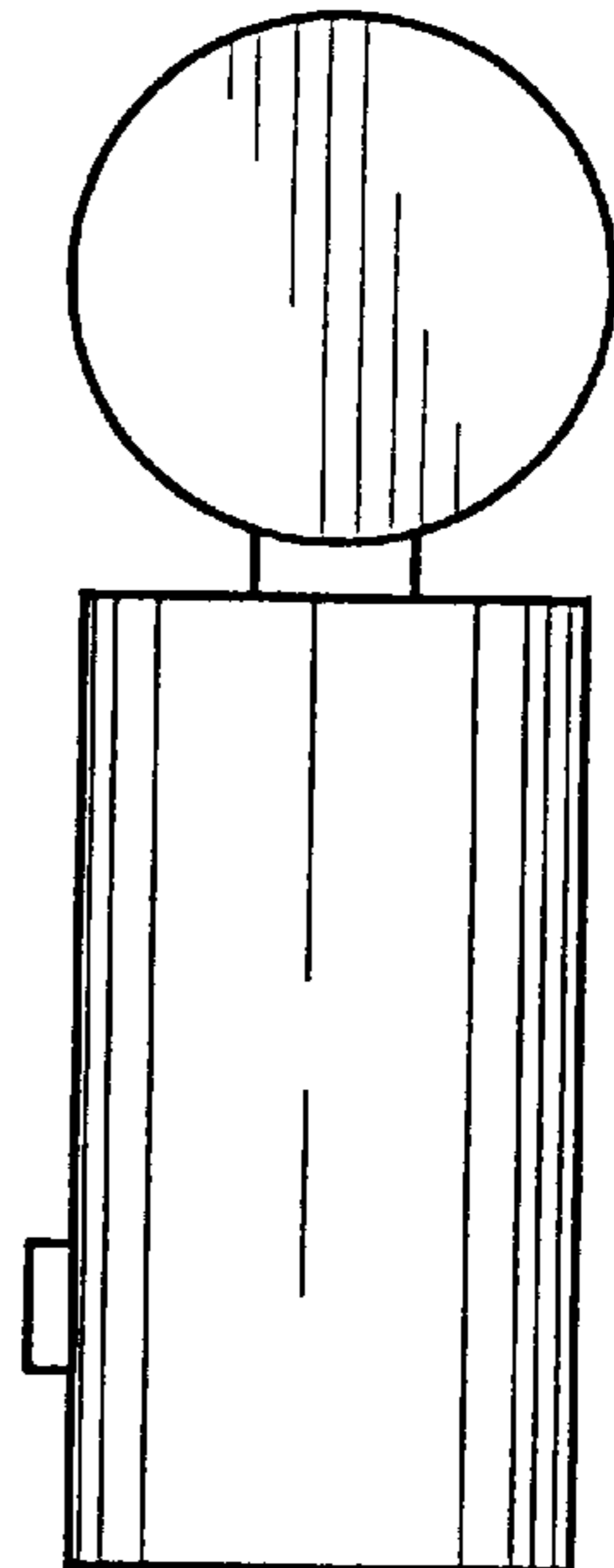
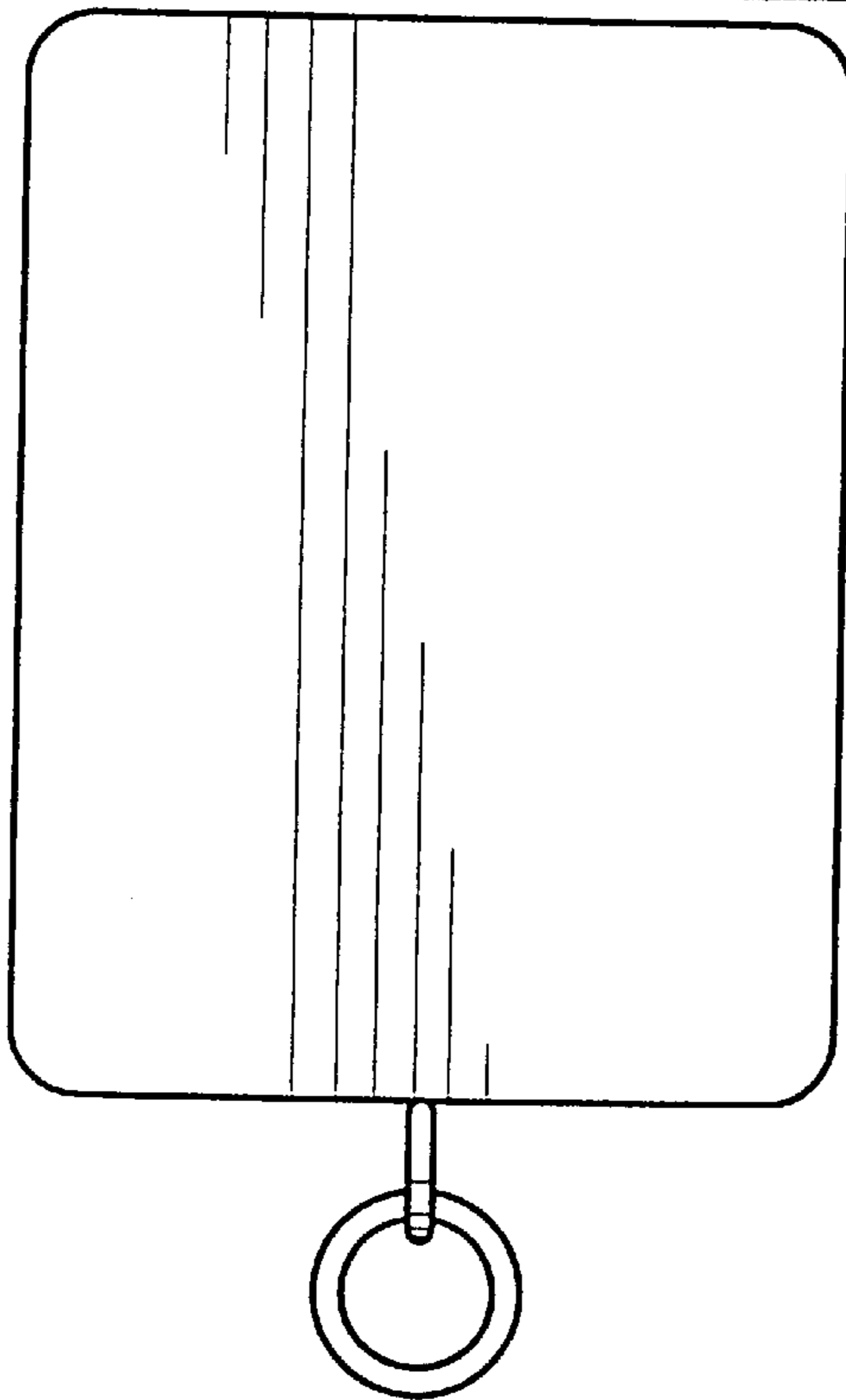


FIG 2

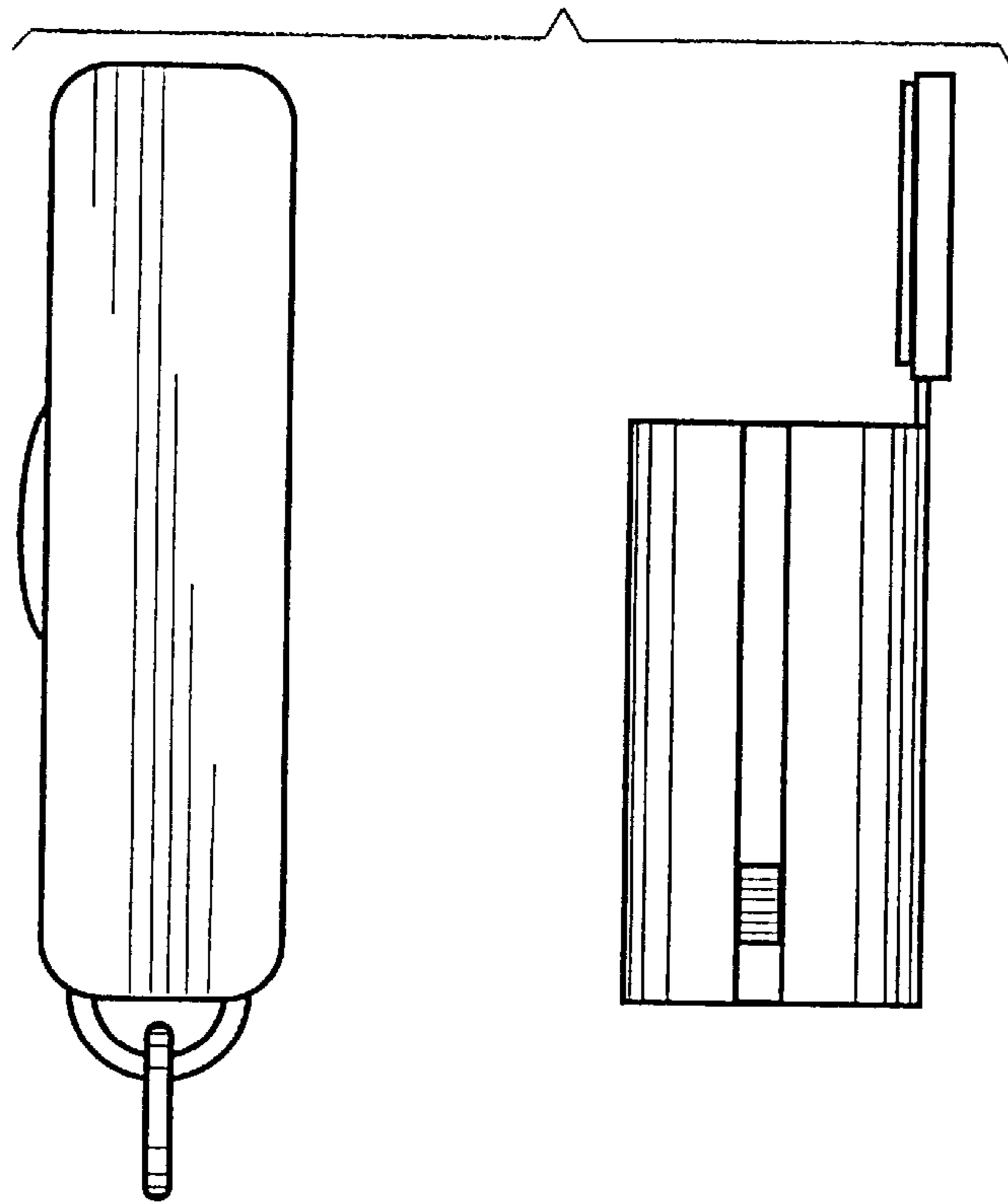


FIG 3

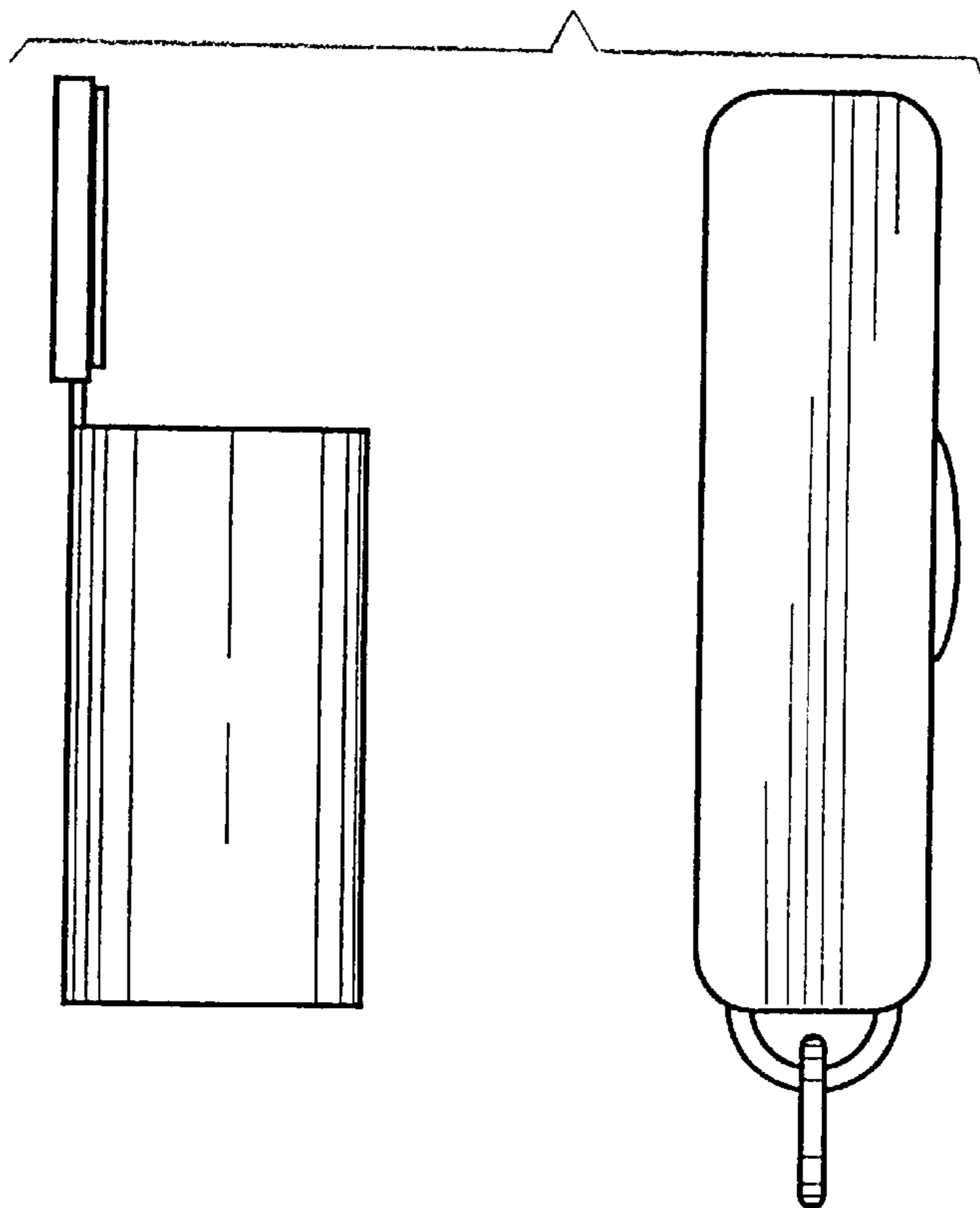


FIG 4

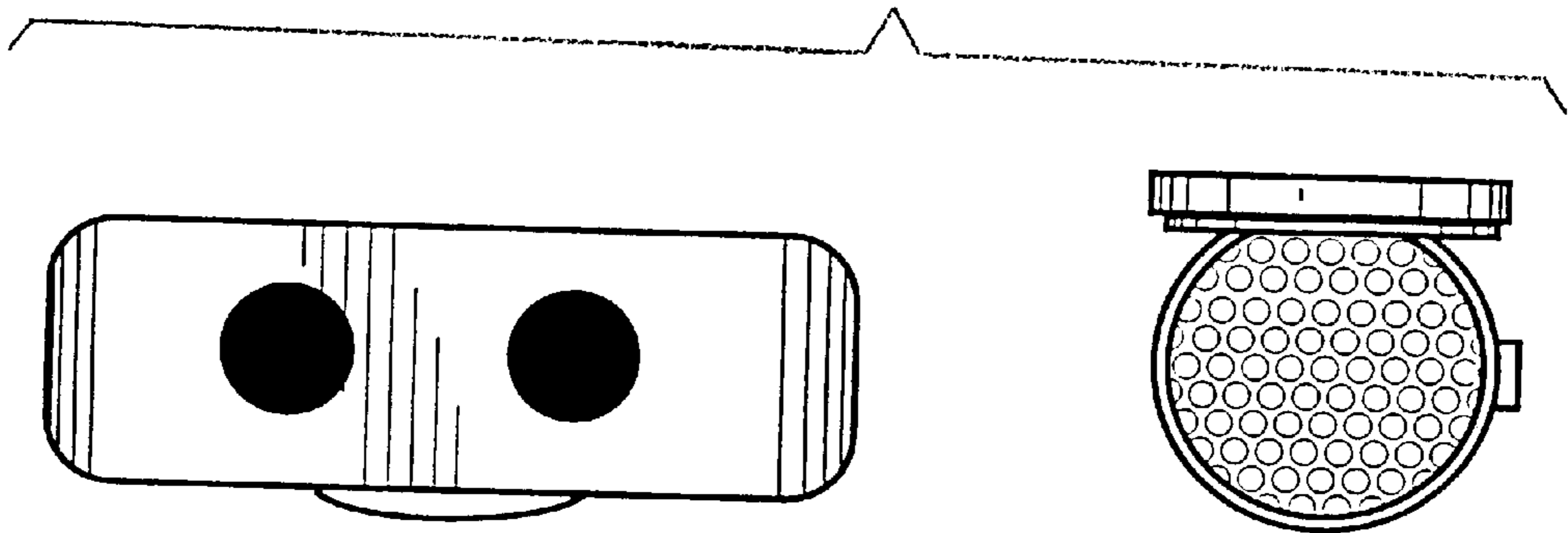


FIG 5

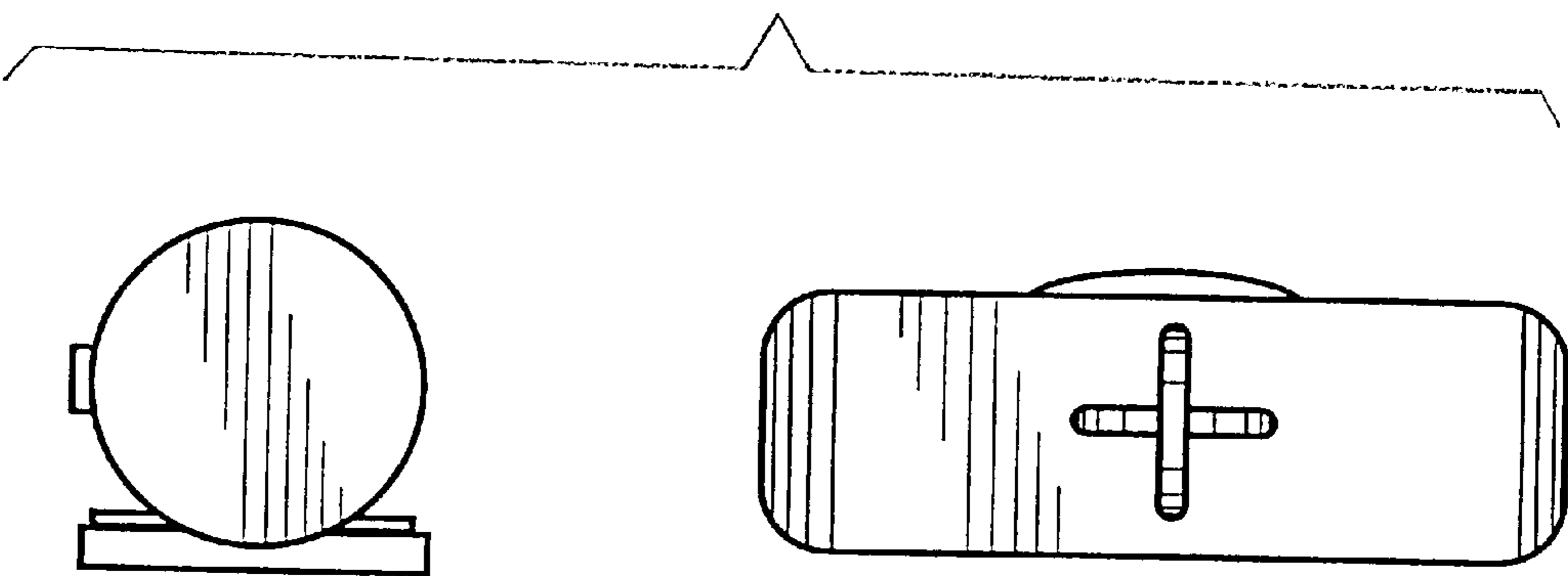


FIG 6

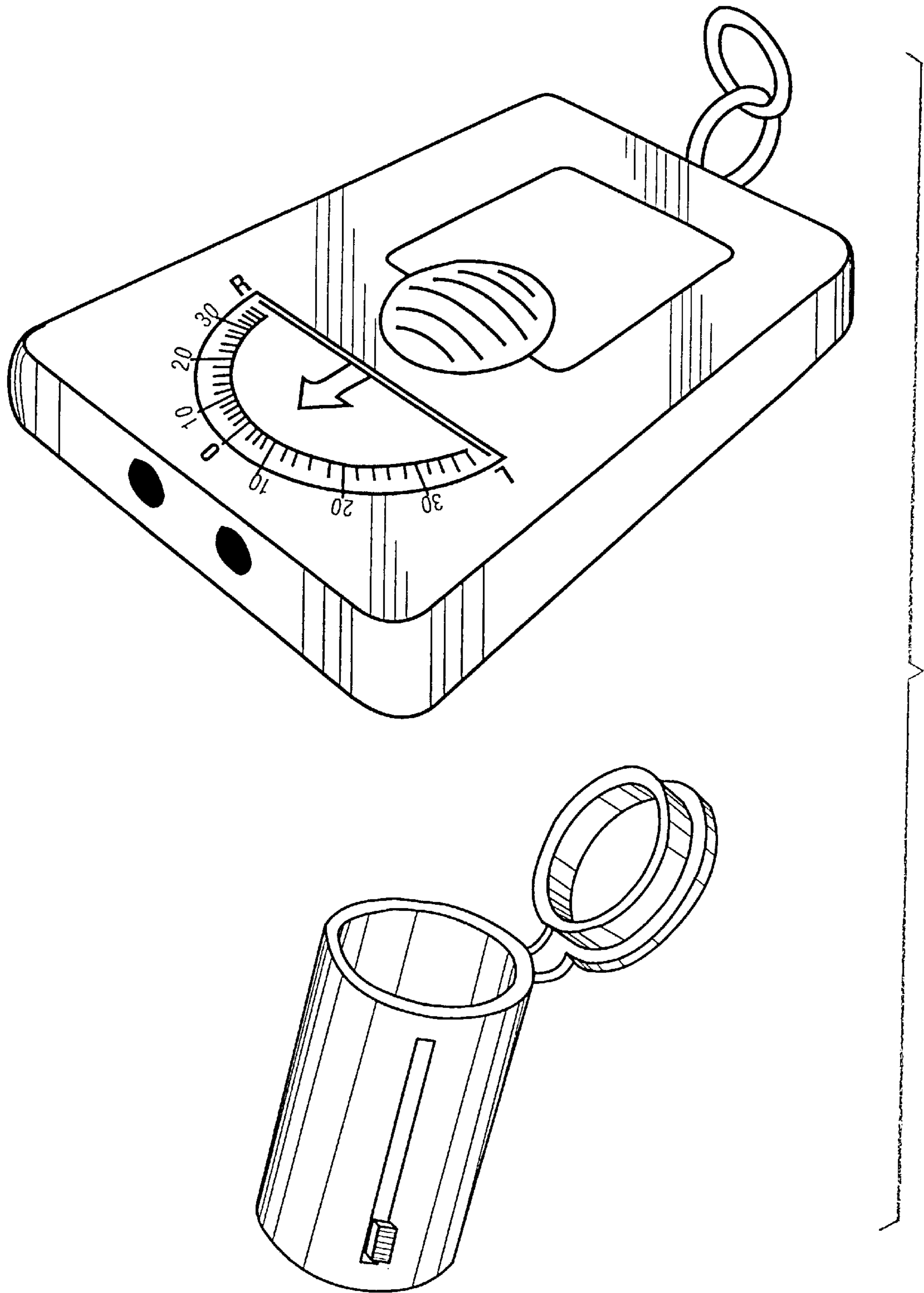


FIG 7

UNITED STATES PATENT AND TRADEMARK OFFICE
CERTIFICATE OF CORRECTION

PATENT NO : D412,860

DATED : August 17, 1999


INVENTOR(S) : Stephen Maher

It is certified that error appears in the above-identified patent and that said Letters Patent are hereby corrected as shown below:

On title page, item 76 Inventor
replace "Ashoale"
with --Ashdale--.

Signed and Sealed this
Twenty-second Day of August, 2000

Attest:



Q. TODD DICKINSON

Attesting Officer

Director of Patents and Trademarks