



US00D412859S

United States Patent [19] Thiel

[11] **Patent Number: Des. 412,859**

[45] **Date of Patent: ** Aug. 17, 1999**

[54] **METER COVER**

5,049,810 9/1991 Kirby et al. 324/156

[75] Inventor: **Patrick L. Thiel**, Raleigh, N.C.

Primary Examiner—Antoine Duval Davis
Attorney, Agent, or Firm—Woodcock Washburn Kurtz
Mackiewicz & Norris LLP

[73] Assignee: **ABB Power T&D Company Inc.**,
Raleigh, N.C.

[**] Term: **14 Years**

[57] CLAIM

[21] Appl. No.: **29/089,858**

The ornamental design for a meter cover, as shown and described.

[22] Filed: **Jun. 24, 1998**

DESCRIPTION

[51] **LOC (6) Cl.** **10-04**

[52] **U.S. Cl.** **D10/99; D10/103**

[58] **Field of Search** D10/99, 108; 174/17;
324/156, 149, 146, 119, 115, 110

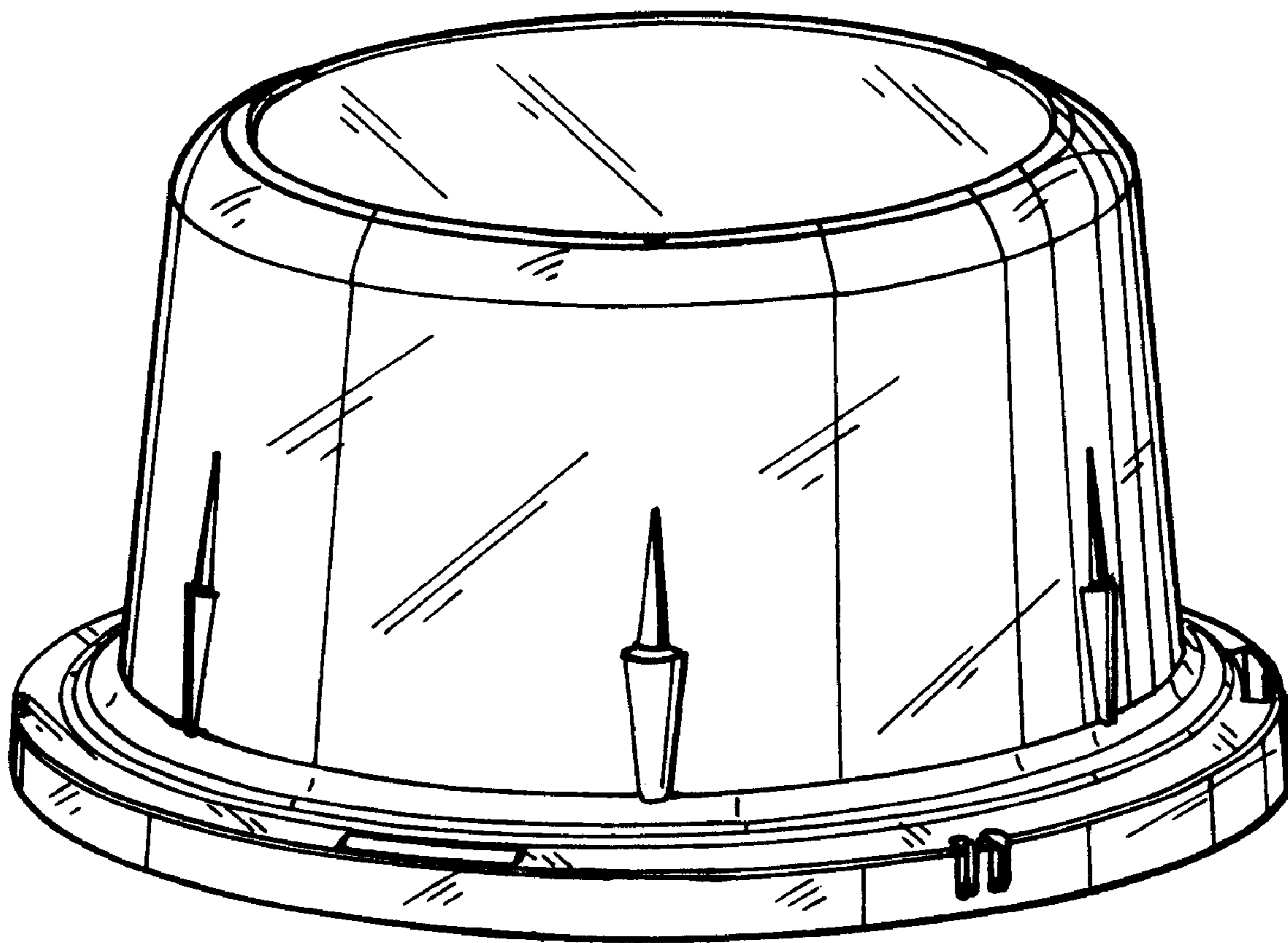
FIG. 1 is a front perspective view of a meter cover;
FIG. 2 is a front elevation view thereof, the back elevation
view is the same;
FIG. 3 is a top plan view thereof; and,
FIG. 4 is a bottom plan view thereof.

[56] References Cited

U.S. PATENT DOCUMENTS

D. 362,198 9/1995 Meek D10/103

1 Claim, 2 Drawing Sheets



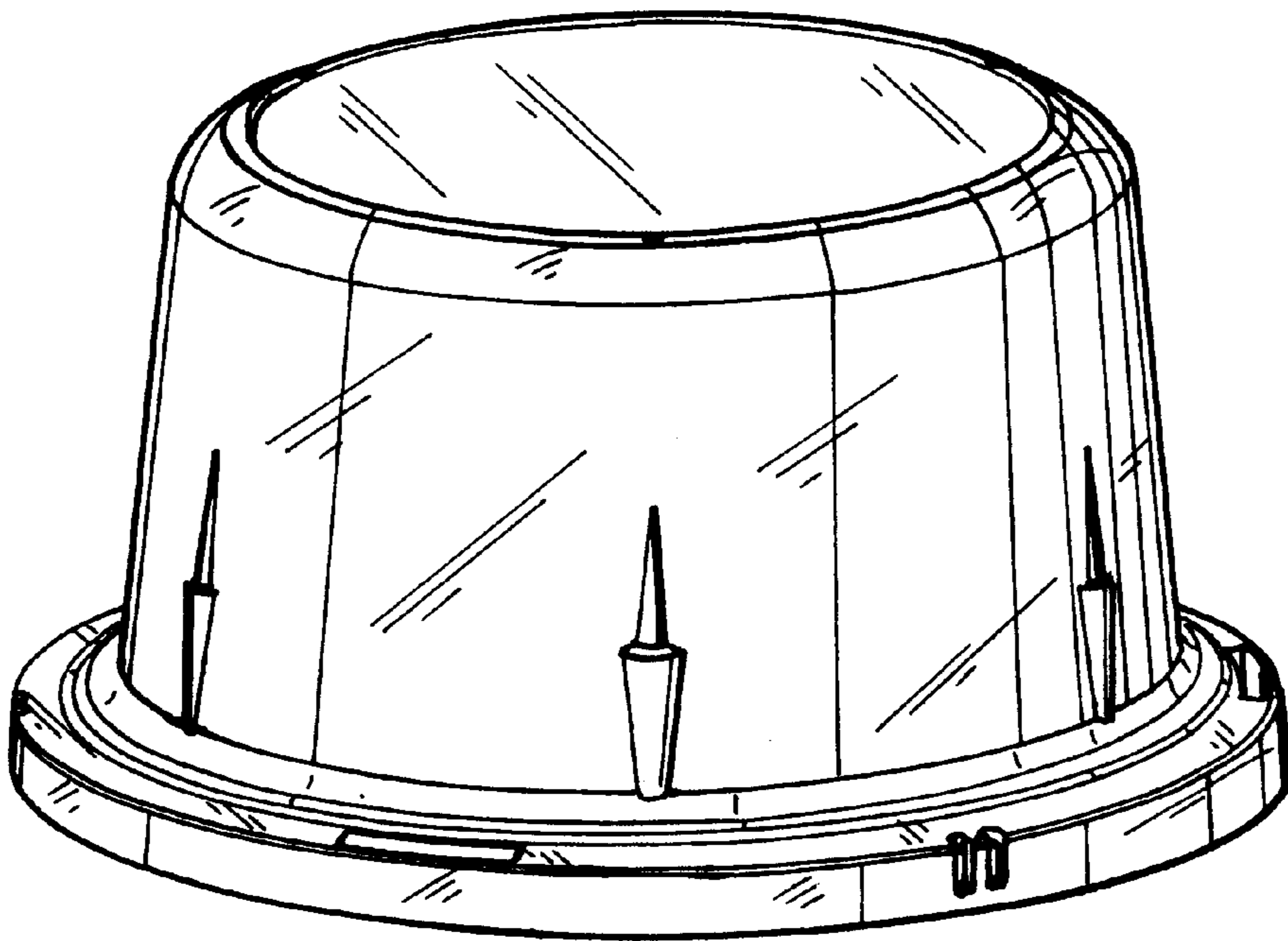


FIG. 1

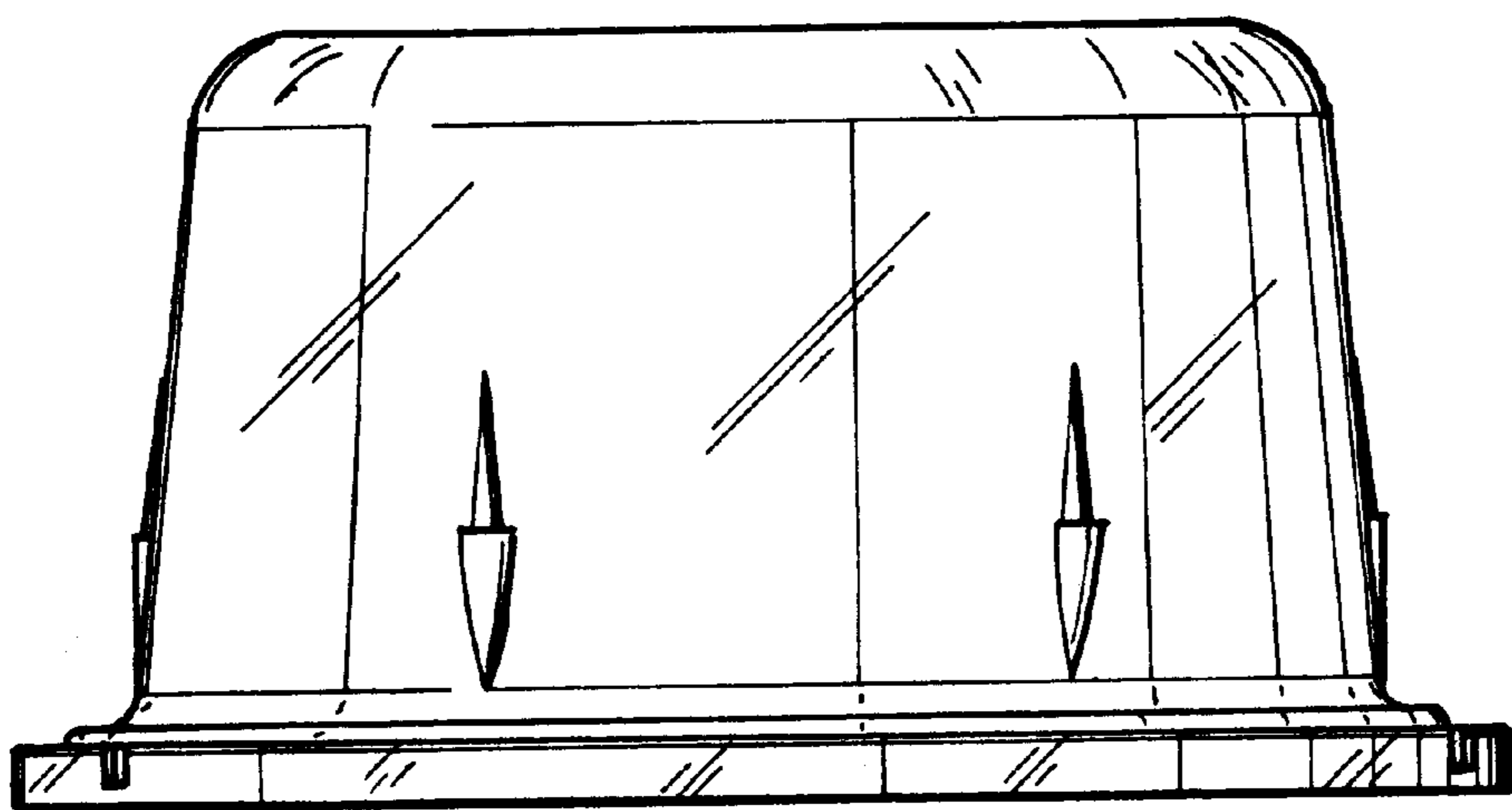


FIG. 2

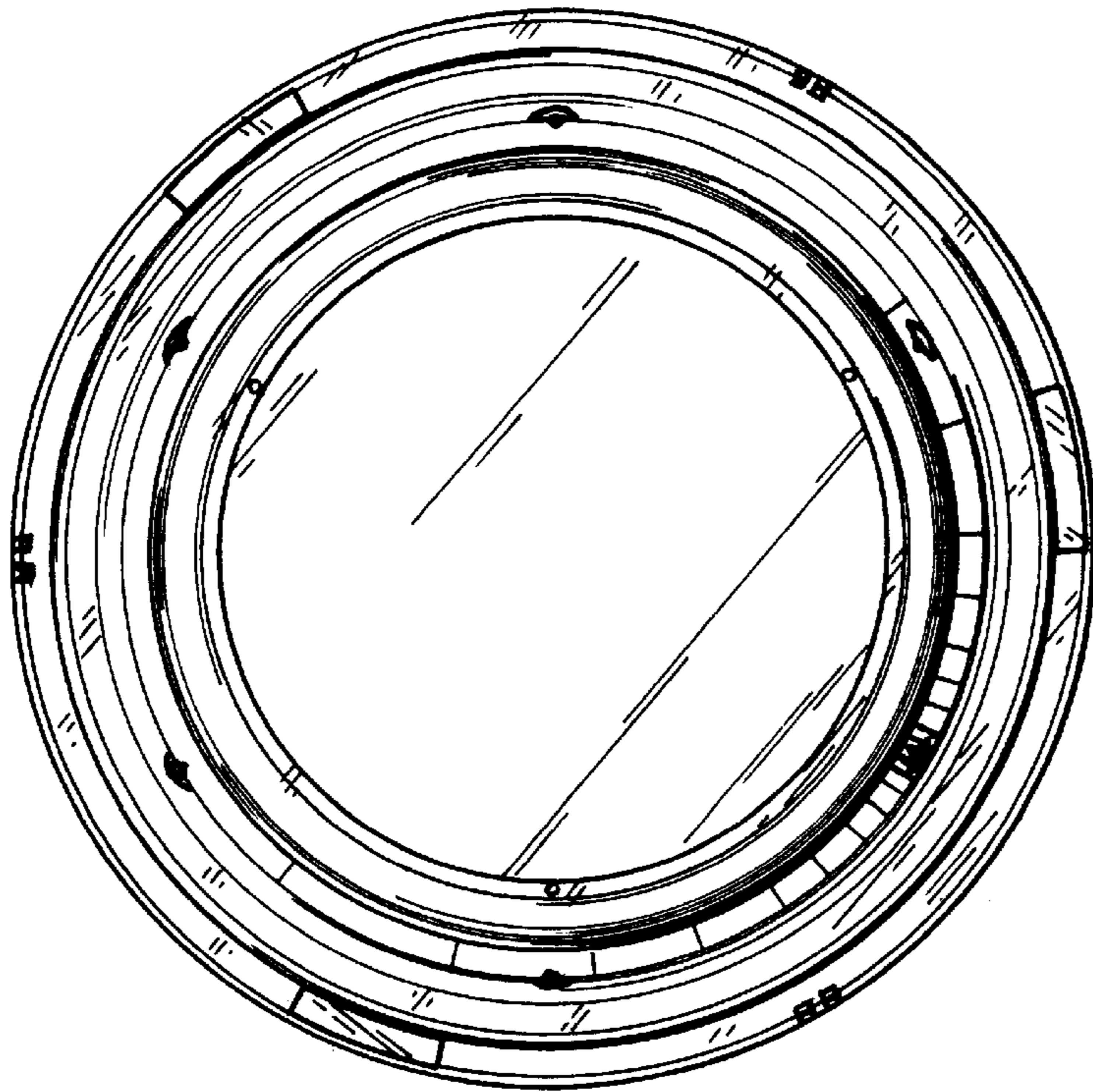


FIG. 3

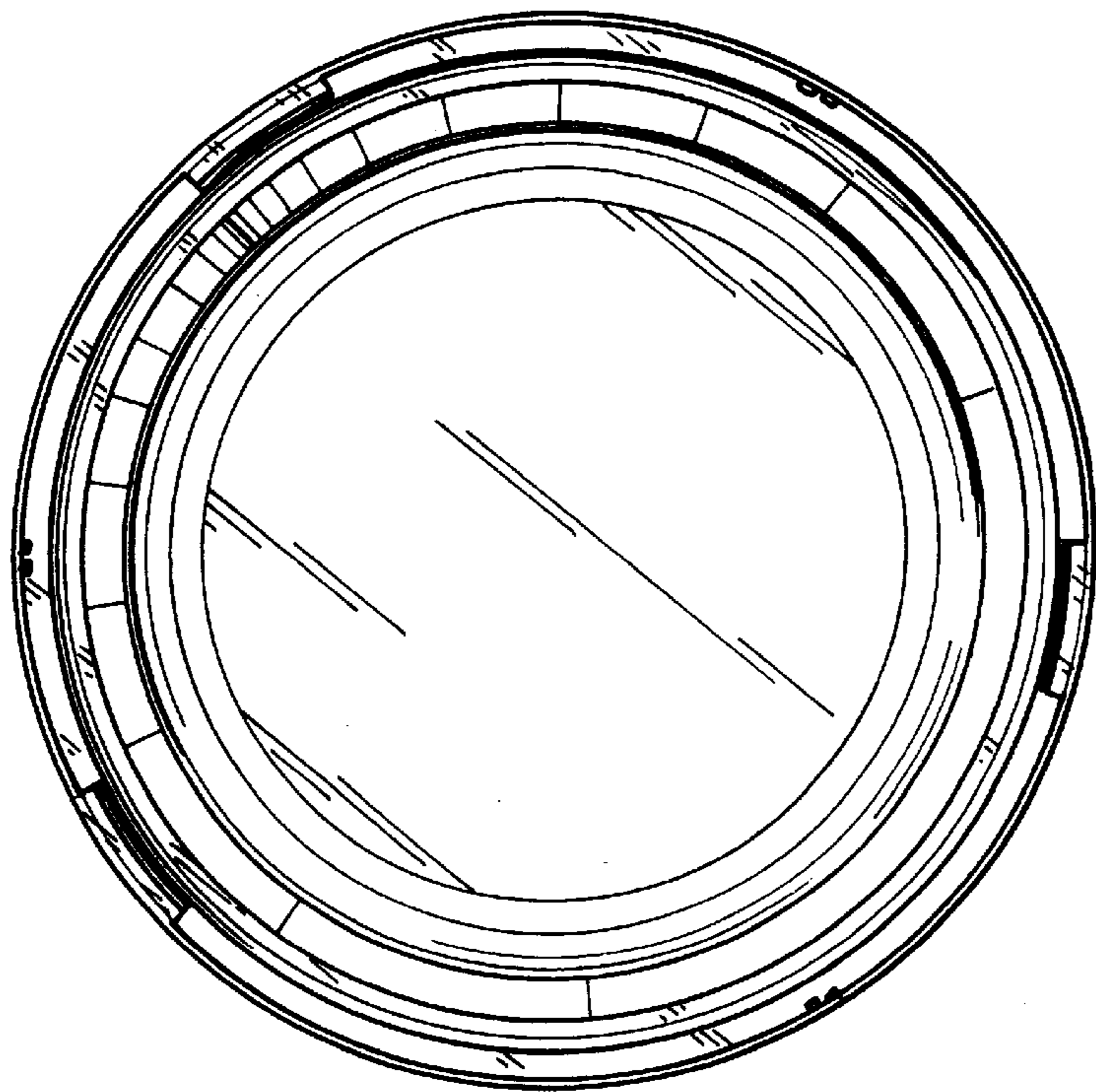


FIG. 4