



US00D412857S

United States Patent [19]

Howard et al.

[11] Patent Number: Des. 412,857

[45] Date of Patent: ** Aug. 17, 1999

[54] LASER TORPEDO LEVEL

[75] Inventors: **John D. Howard**, Brewster, N.Y.;
Joseph R. Martone; John M. Staton,
both of Bristol, Conn.; **Gary E. Van
Deursen**, Avon, Conn.

[73] Assignee: **The Stanley Works**, New Britain,
Conn.

[**] Term: **14 Years**

[21] Appl. No.: **29/093,140**

[22] Filed: **Sep. 4, 1998**

[51] LOC (6) Cl. **10-04**

[52] U.S. Cl. **D10/69**

[58] Field of Search D10/69; 33/360-395

[56] **References Cited**

U.S. PATENT DOCUMENTS

D. 224,663	8/1972	De Jong .	
D. 280,185	8/1985	Wright .	
D. 301,553	6/1989	Makofsky et al. .	
D. 332,226	1/1993	Hutchens et al. .	
D. 355,134	2/1995	Kennedy .	
D. 401,169	11/1998	Smith	D10/69
1,270,074	6/1918	Veenstra .	
1,585,563	5/1926	Schlattau .	

2,308,206	1/1943	Poland .	
2,789,363	4/1957	Miley .	
2,877,555	3/1959	Visockis, Jr. .	
3,522,657	8/1970	Metrulis .	
3,897,637	8/1975	Genho .	
5,182,863	2/1993	Rando .	
5,519,942	5/1996	Webb .	
5,531,031	7/1996	Green	33/365
5,561,911	10/1996	Martin .	
5,575,073	11/1996	Von Wedemayer .	
5,594,993	1/1997	Tager et al. .	

Primary Examiner—Antoine Duval Davis
Attorney, Agent, or Firm—Pepe & Hazard LLP

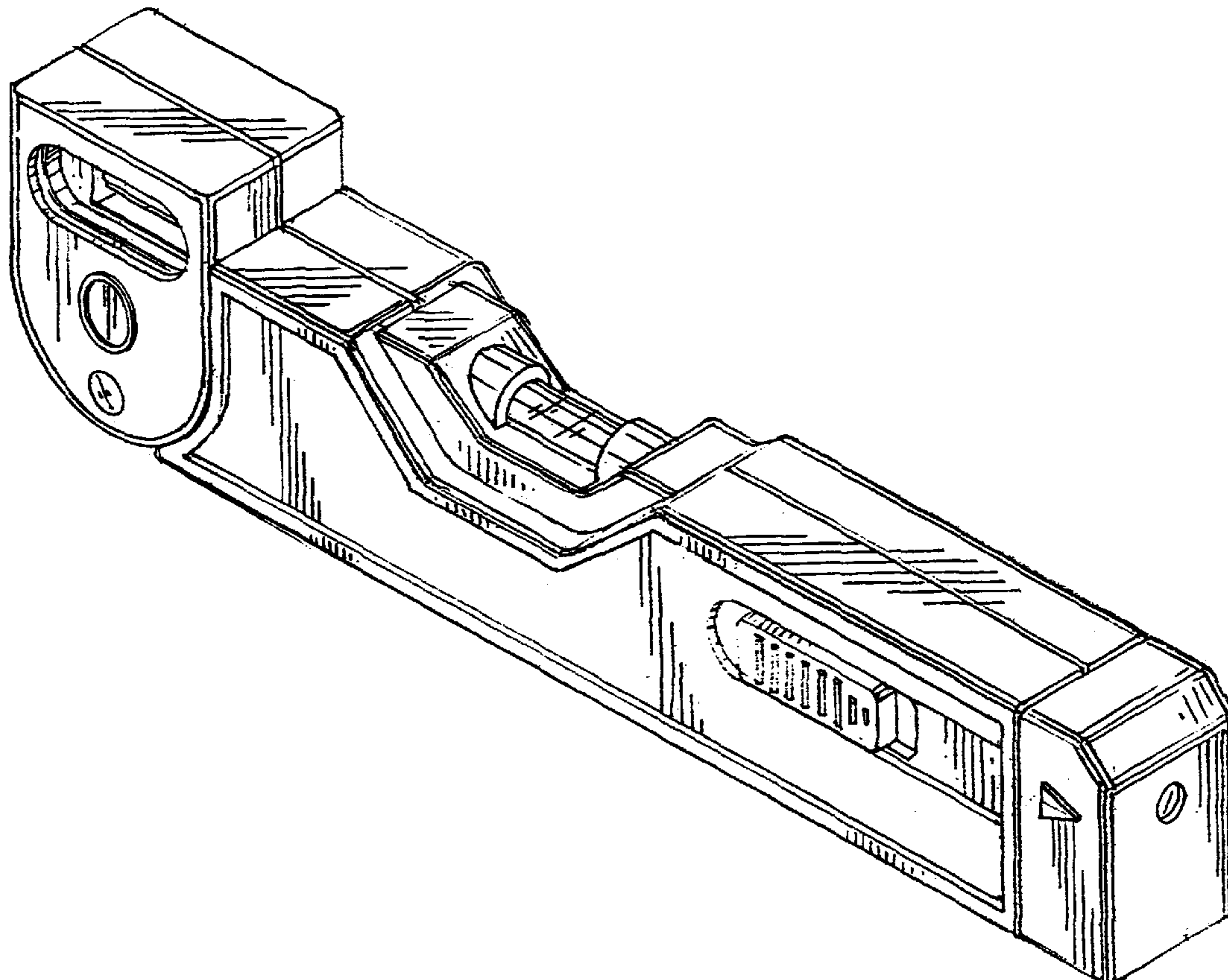
[57] **CLAIM**

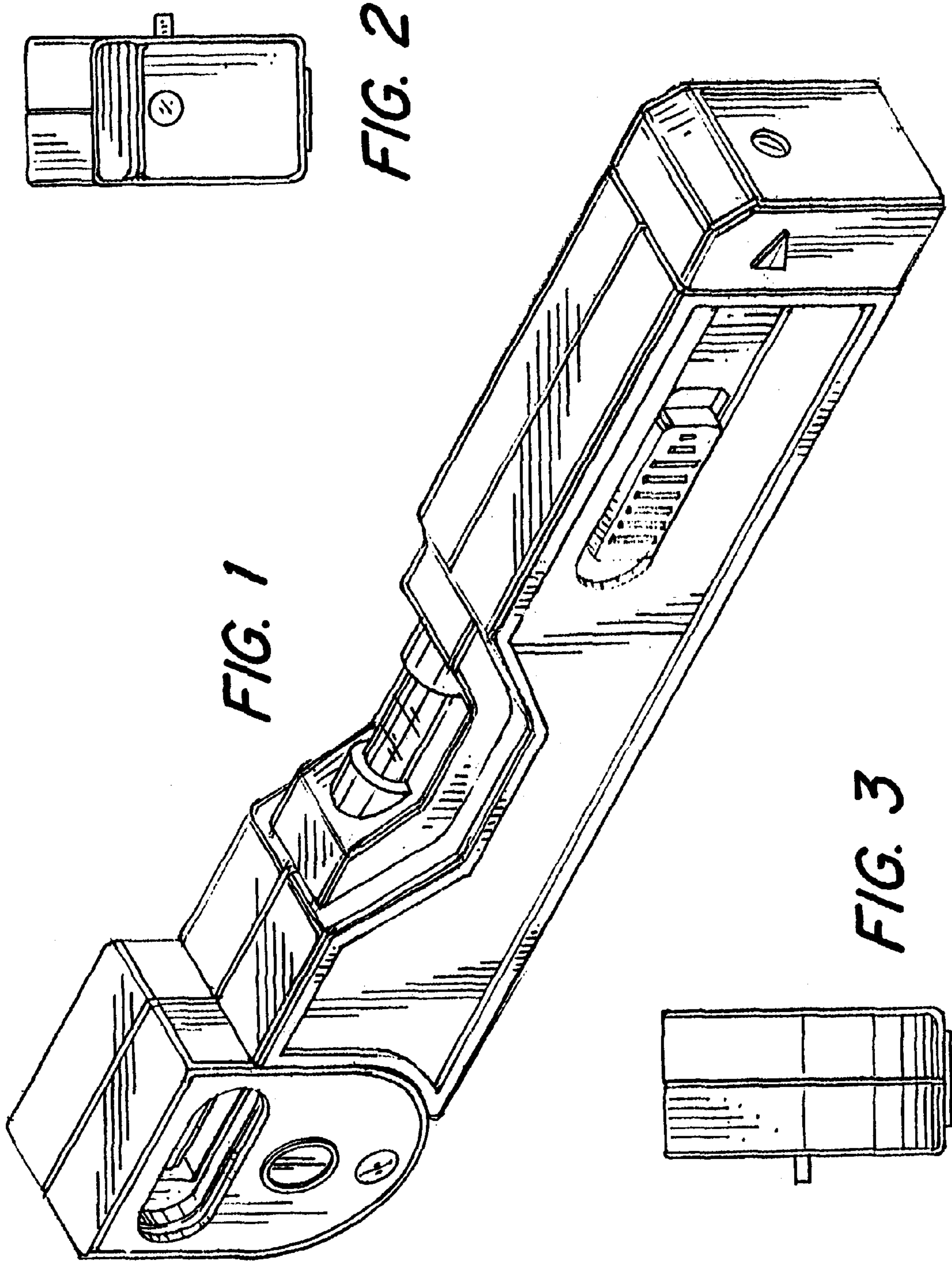
The ornamental design for a laser torpedo level, as shown and described.

DESCRIPTION

FIG. 1 is a perspective view of a laser torpedo level showing our new design;
FIG. 2 is a front end elevational view thereof;
FIG. 3 is a rear end elevational view thereof;
FIG. 4 is a top plan view thereof;
FIG. 5 is a side elevational view thereof;
FIG. 6 is a bottom view thereof; and,
FIG. 7 is a elevational view of the side opposite that seen in FIG. 5 and with the level inverted.

1 Claim, 2 Drawing Sheets





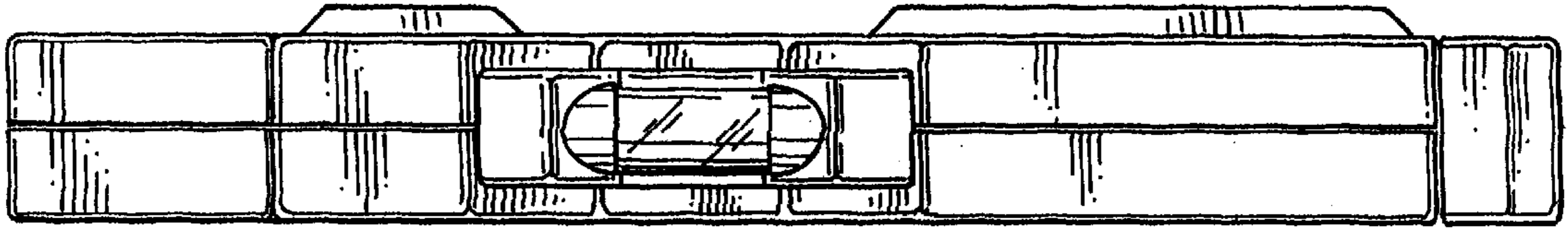


FIG. 4

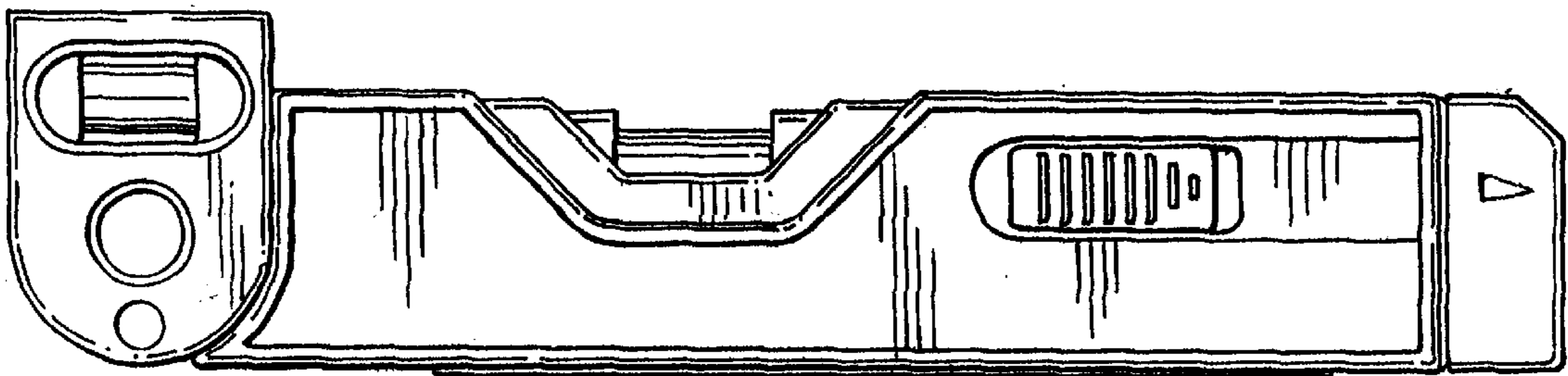


FIG. 5

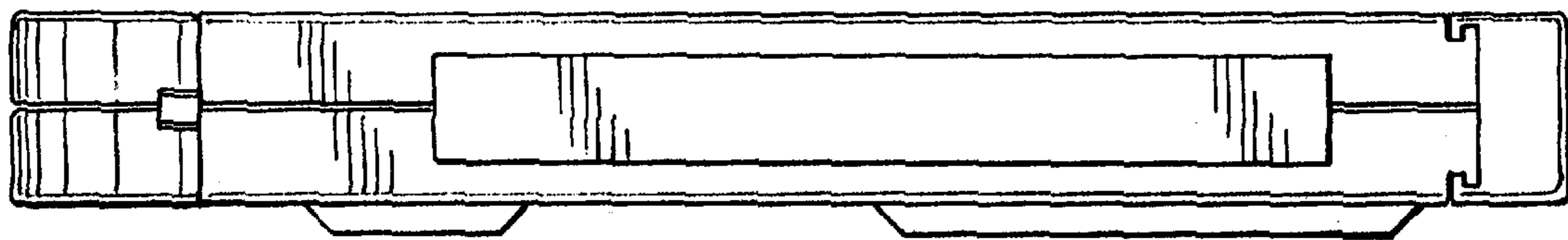


FIG. 6

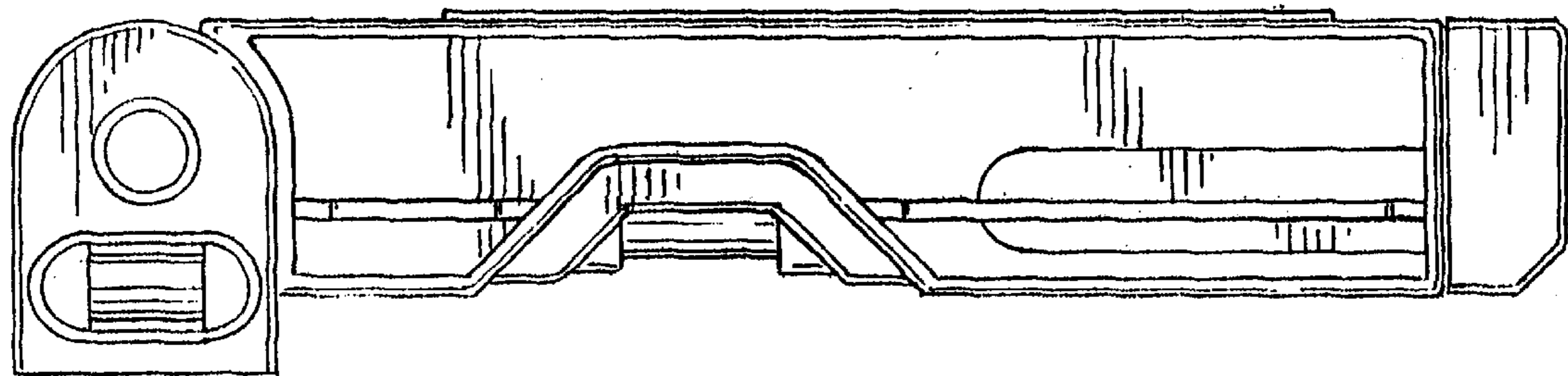


FIG. 7