



US00D412856S

United States Patent [19]
Zirkelbach

[11] **Patent Number: Des. 412,856**

[45] **Date of Patent: ** Aug. 17, 1999**

[54] **WEATHER STATION**

[76] Inventor: **Bernhard Zirkelbach**, 116-3121 Hill Road, Winfield, British Columbia, Canada, V4V 1G1

[**] Term: **14 Years**

[21] Appl. No.: **29/082,127**

[22] Filed: **Jan. 15, 1998**

[30] **Foreign Application Priority Data**

Oct. 30, 1997 [CA] Canada 1997-2821

[51] **LOC (6) Cl.** **10-04**

[52] **U.S. Cl.** **D10/59**

[58] **Field of Search** D10/59; 73/170.05; D25/1

[56] **References Cited**

U.S. PATENT DOCUMENTS

D. 205,078 6/1966 Netzel et al. D10/59

Primary Examiner—Antoine Duval Davis
Attorney, Agent, or Firm—Anthony C. Edwards

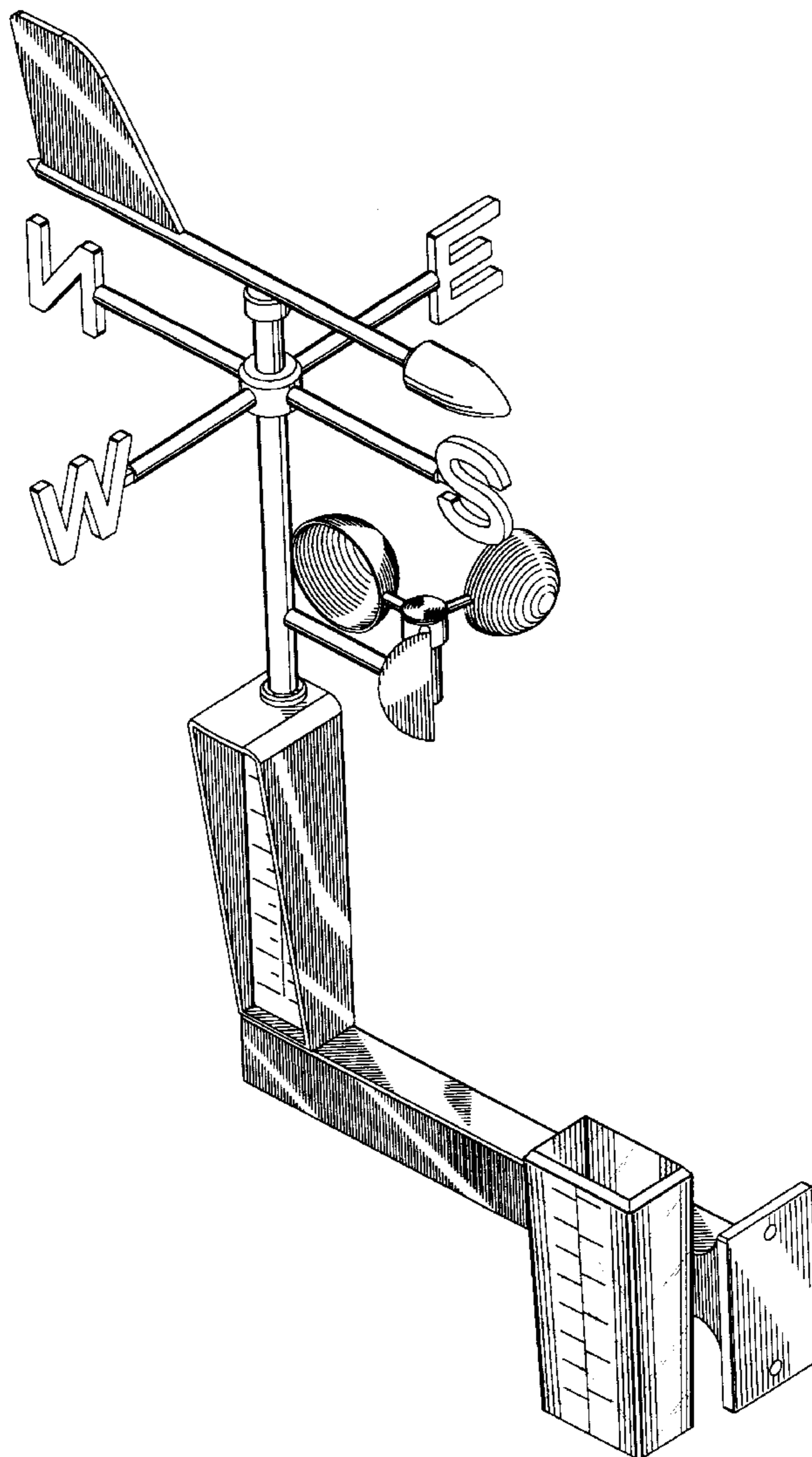
[57] **CLAIM**

The ornamental design for a weather station, as shown.

DESCRIPTION

FIG. 1 is a perspective view of the weather station.
FIG. 2 is a front elevation view of the weather station.
FIG. 3 is a rear elevation view of the weather station.
FIG. 4 is a bottom view of the weather station.
FIG. 5 is a plan view of the weather station.
FIG. 6 is a left side elevation view of the weather station; and,
FIG. 7 is a right side elevation view of the weather station.

1 Claim, 7 Drawing Sheets



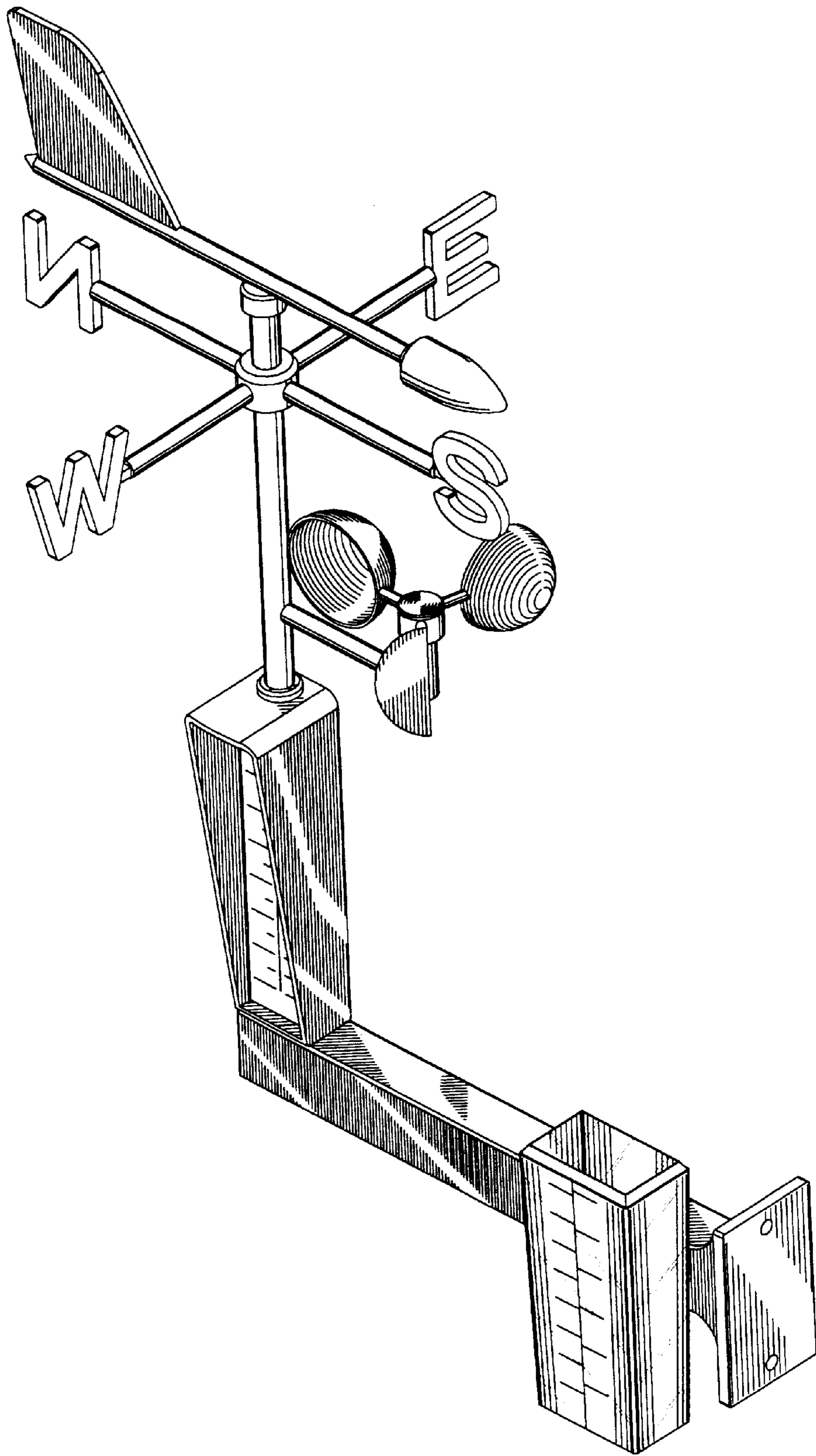


FIG. 1

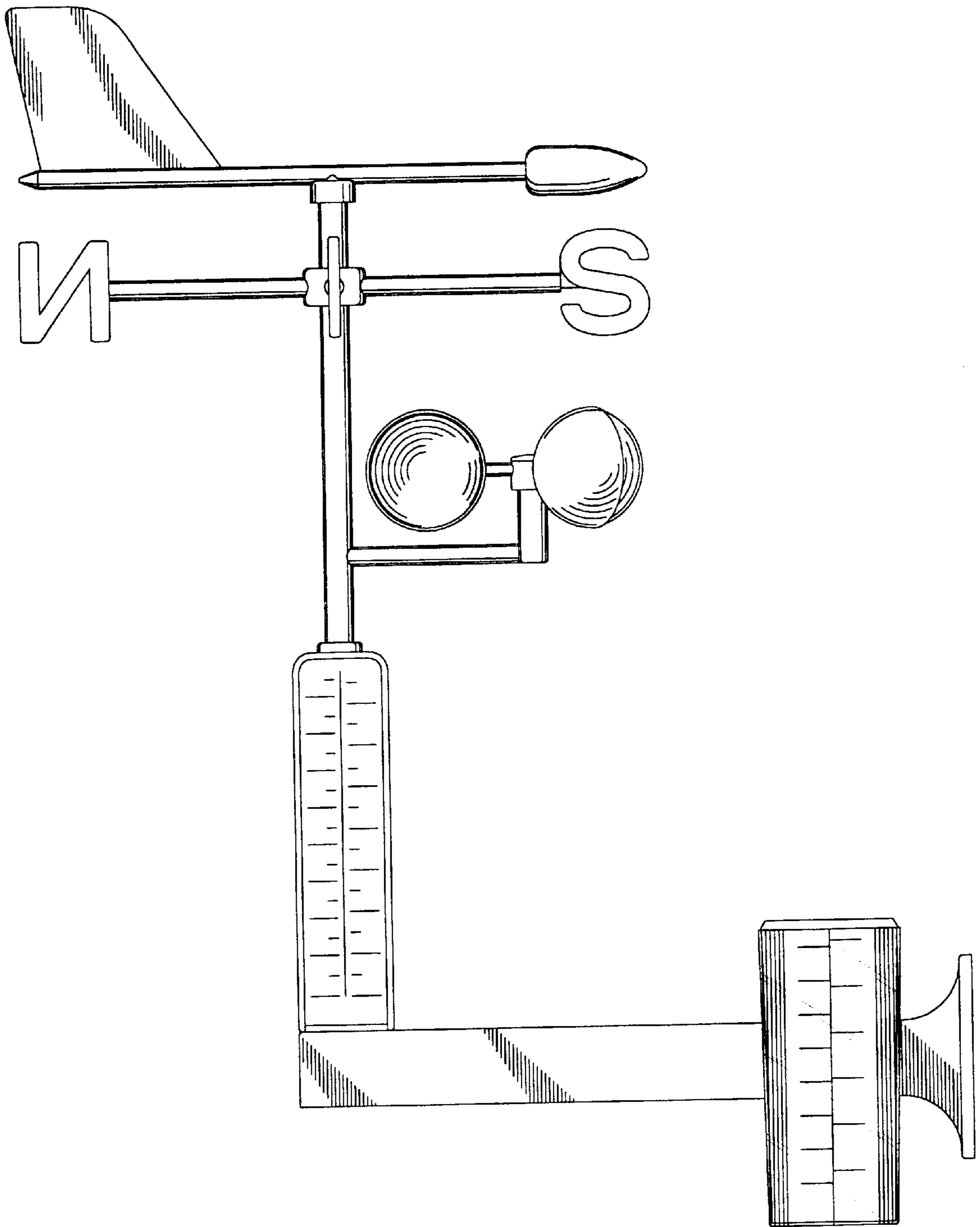


FIG. 2

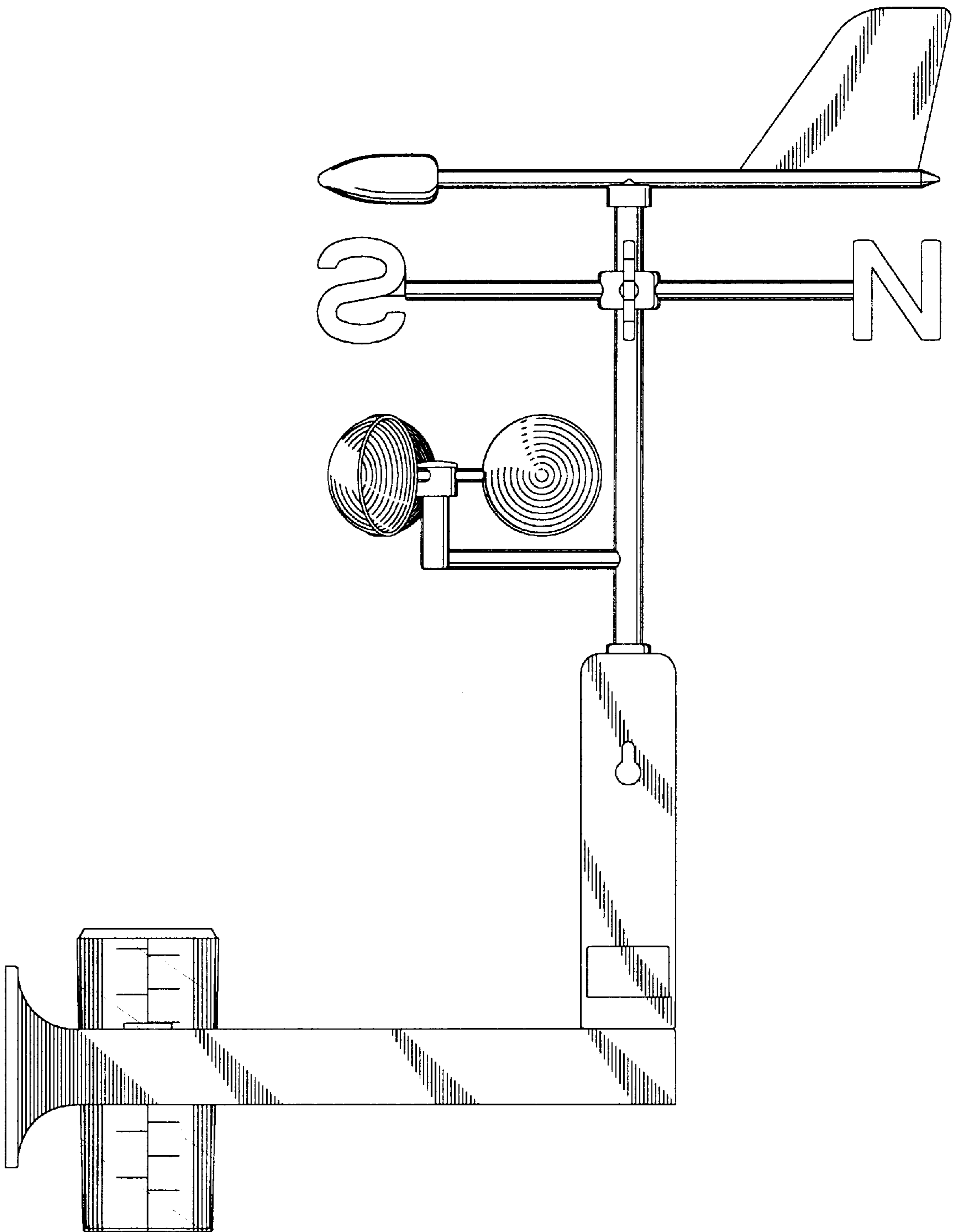


FIG. 3

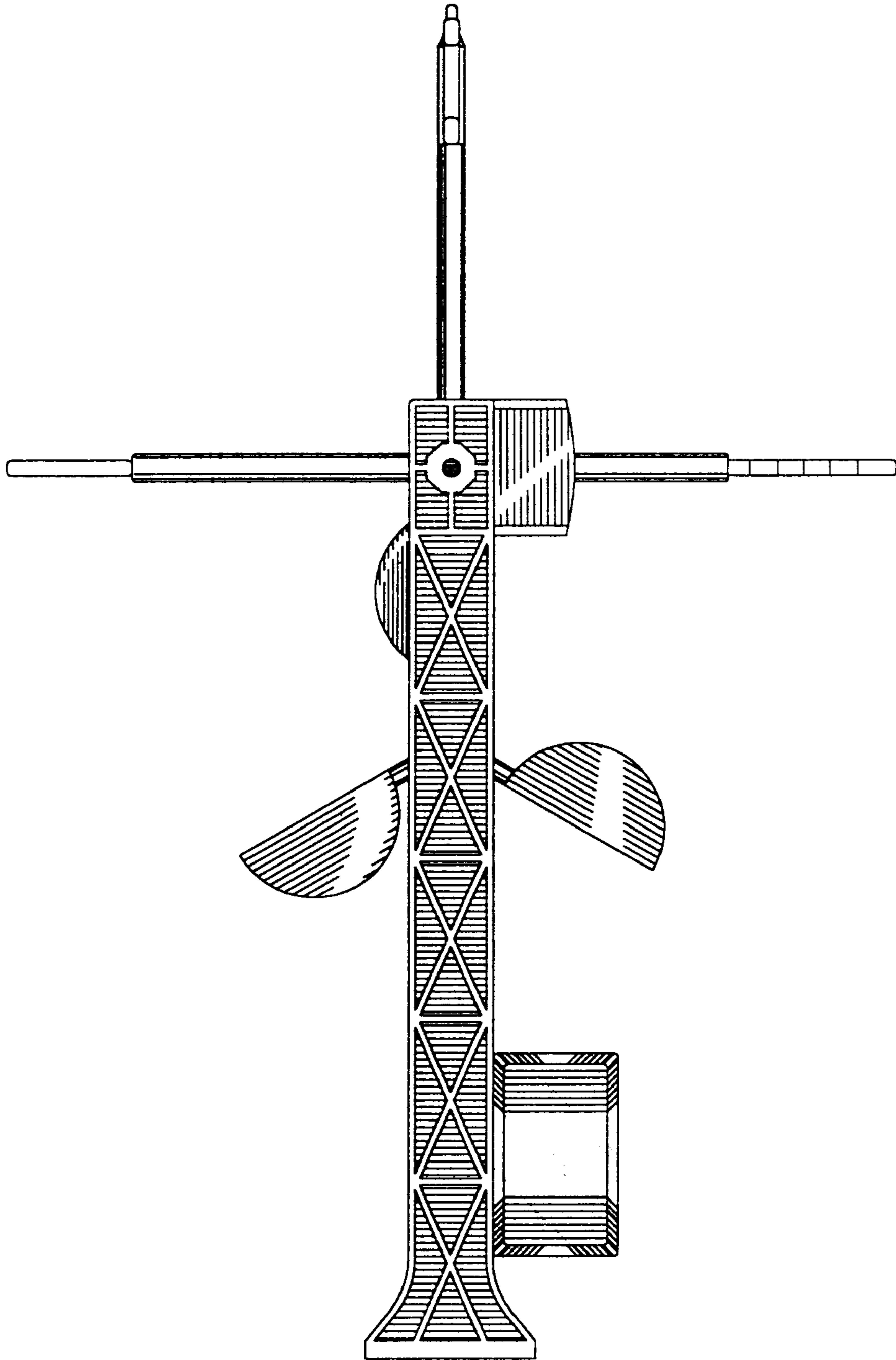


FIG. 4

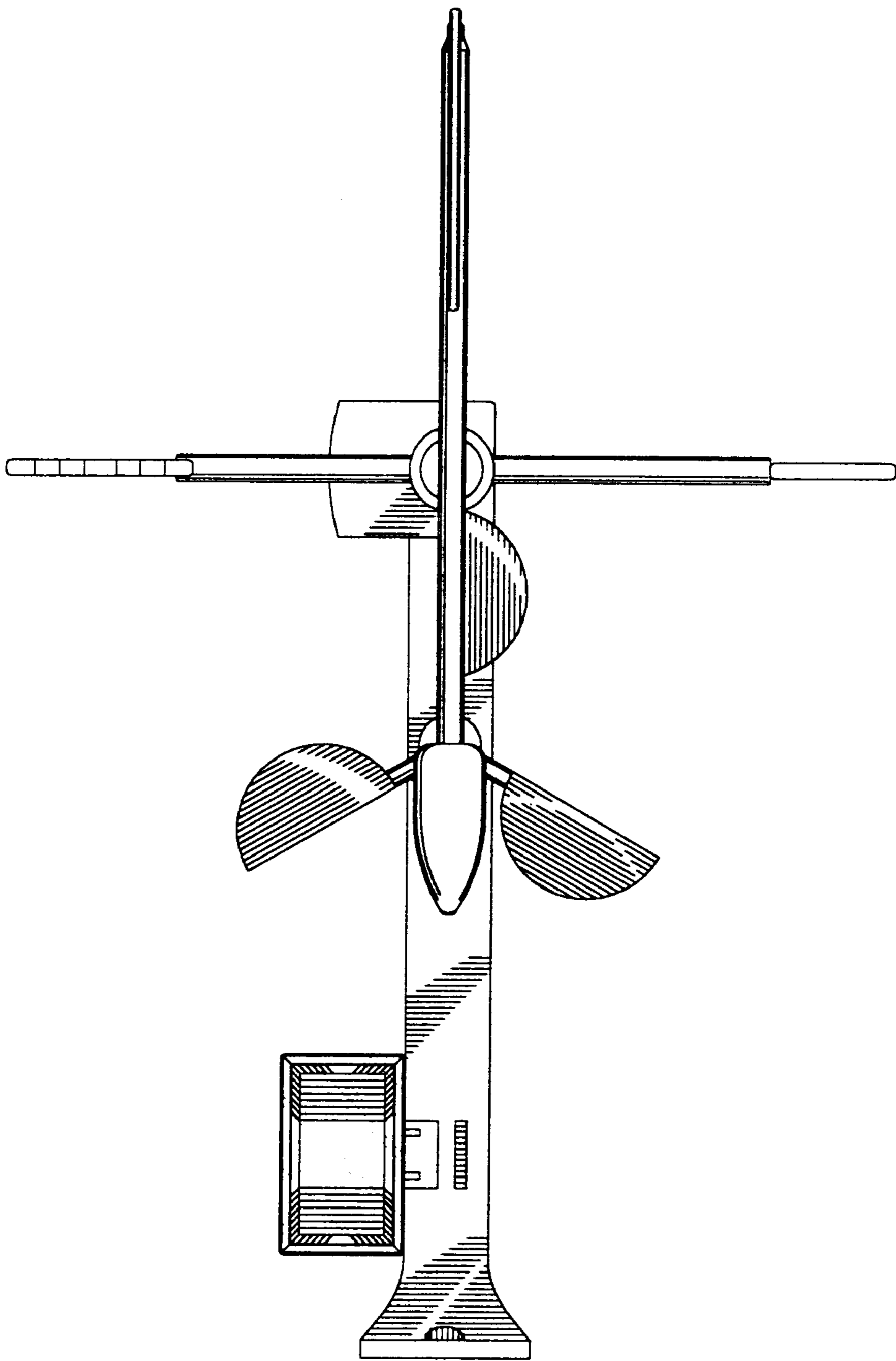


FIG. 5

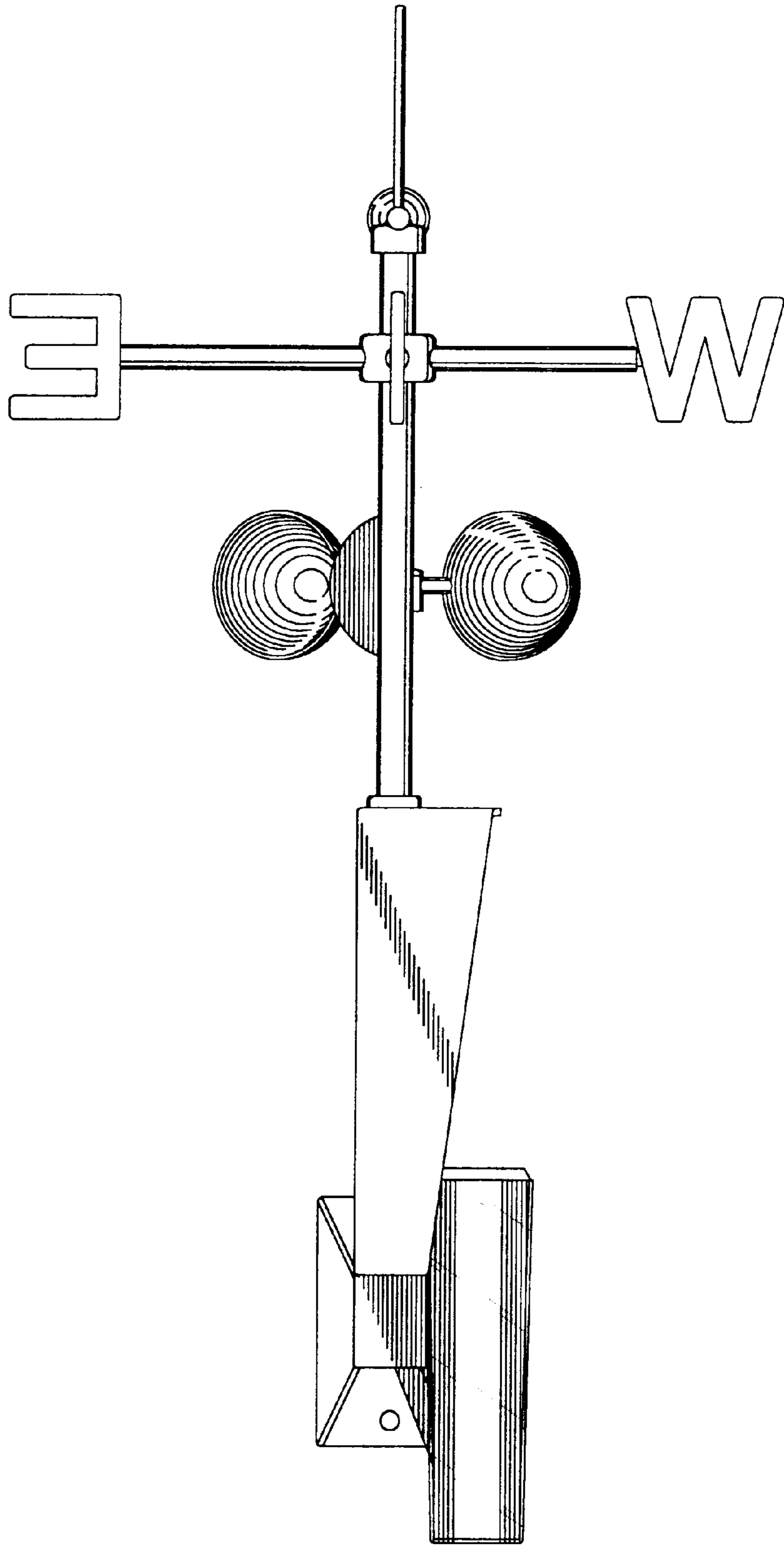


FIG. 6

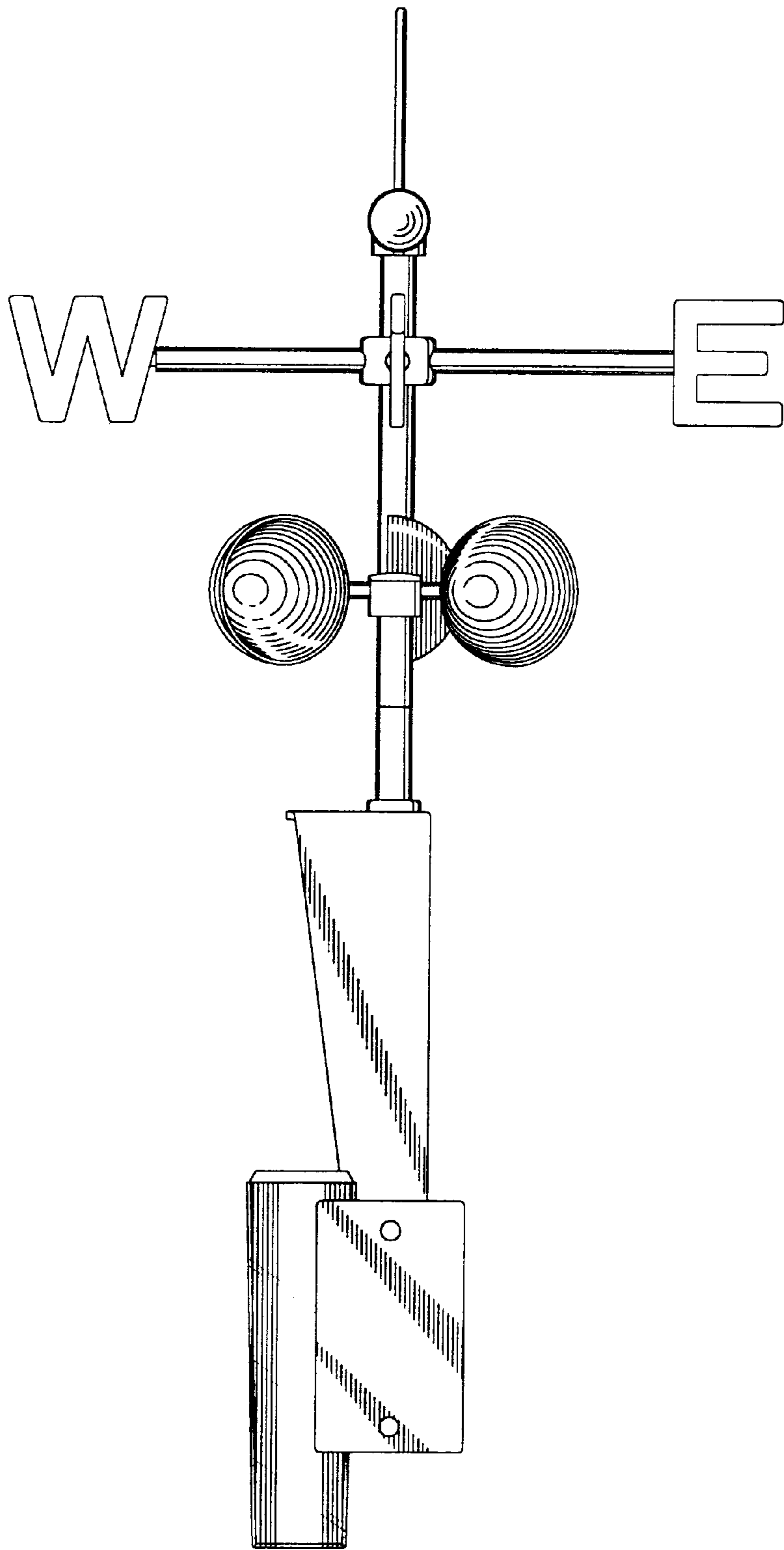


FIG. 7