



US00D412855S

**United States Patent** [19]  
**Wu**

[11] **Patent Number: Des. 412,855**

[45] **Date of Patent: \*\* Aug. 17, 1999**

[54] **SCORE BOARD FOR GOLF CART**

[76] Inventor: **David Wu**, No. 35-1, Jih Hsin Street,  
Tu Cheng Hsiang, Taipei Hsien, Taiwan

[\*\*] Term: **14 Years**

[21] Appl. No.: **29/091,425**

[22] Filed: **Jul. 29, 1998**

[51] **LOC (6) Cl.** ..... **21-01**

[52] **U.S. Cl.** ..... **D10/46.1**

[58] **Field of Search** ..... D10/46.1, 46,  
D10/97; 116/222-225, 305; 235/90, 1 B,  
1 D, 1 R; D21/789, 791; 473/283

[56] **References Cited**

**U.S. PATENT DOCUMENTS**

D. 229,706	12/1973	Lewis	.....	D10/46.1
D. 360,595	7/1995	Lia	.....	D10/46.1
D. 394,406	5/1998	Sacks	.....	D10/46.1
753,467	3/1904	Weissbrod	.....	473/283 X
1,771,593	7/1930	Tell	.....	235/1 B

1,811,778	6/1931	Bowen	.....	116/225
2,838,238	6/1958	Menes	.....	235/1 B X
4,036,416	7/1977	Lowe	.....	116/225 X

*Primary Examiner*—Prabhakar Deshmukh  
*Attorney, Agent, or Firm*—Dougherty & Troxell

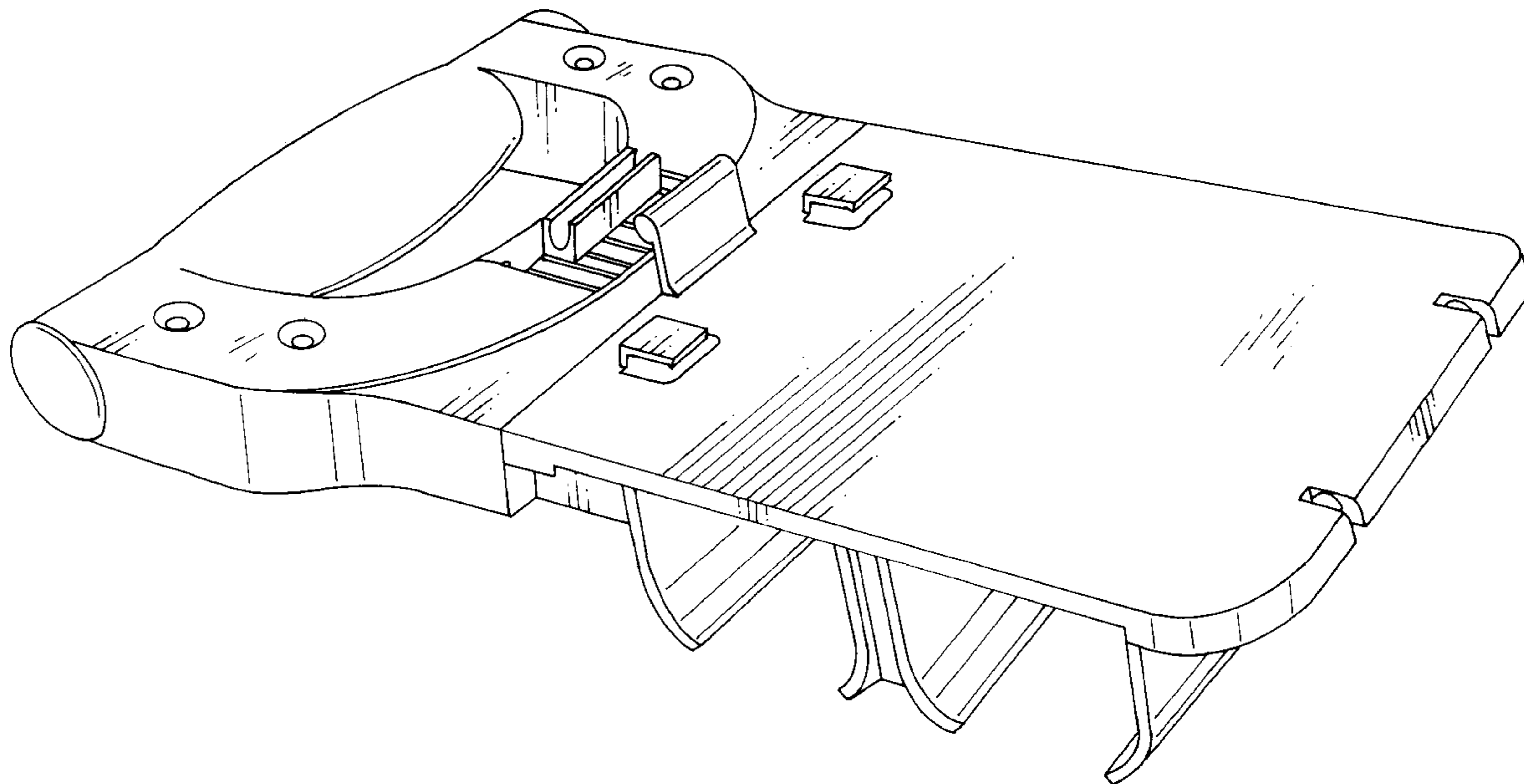
[57] **CLAIM**

The ornamental design for score board for golf cart, as shown and described.

**DESCRIPTION**

FIG. 1 is a perspective view of a score board for golf cart showing my new design;  
FIG. 2 is a front elevational view thereof;  
FIG. 3 is a rear elevational view thereof;  
FIG. 4 is a top plan view thereof;  
FIG. 5 is a bottom plan view thereof;  
FIG. 6 is a left side elevational view thereof,  
FIG. 7 is a right side elevational view thereof; and,  
FIG. 8 is a perspective view thereof; shown in an open position for clarity.

**1 Claim, 8 Drawing Sheets**



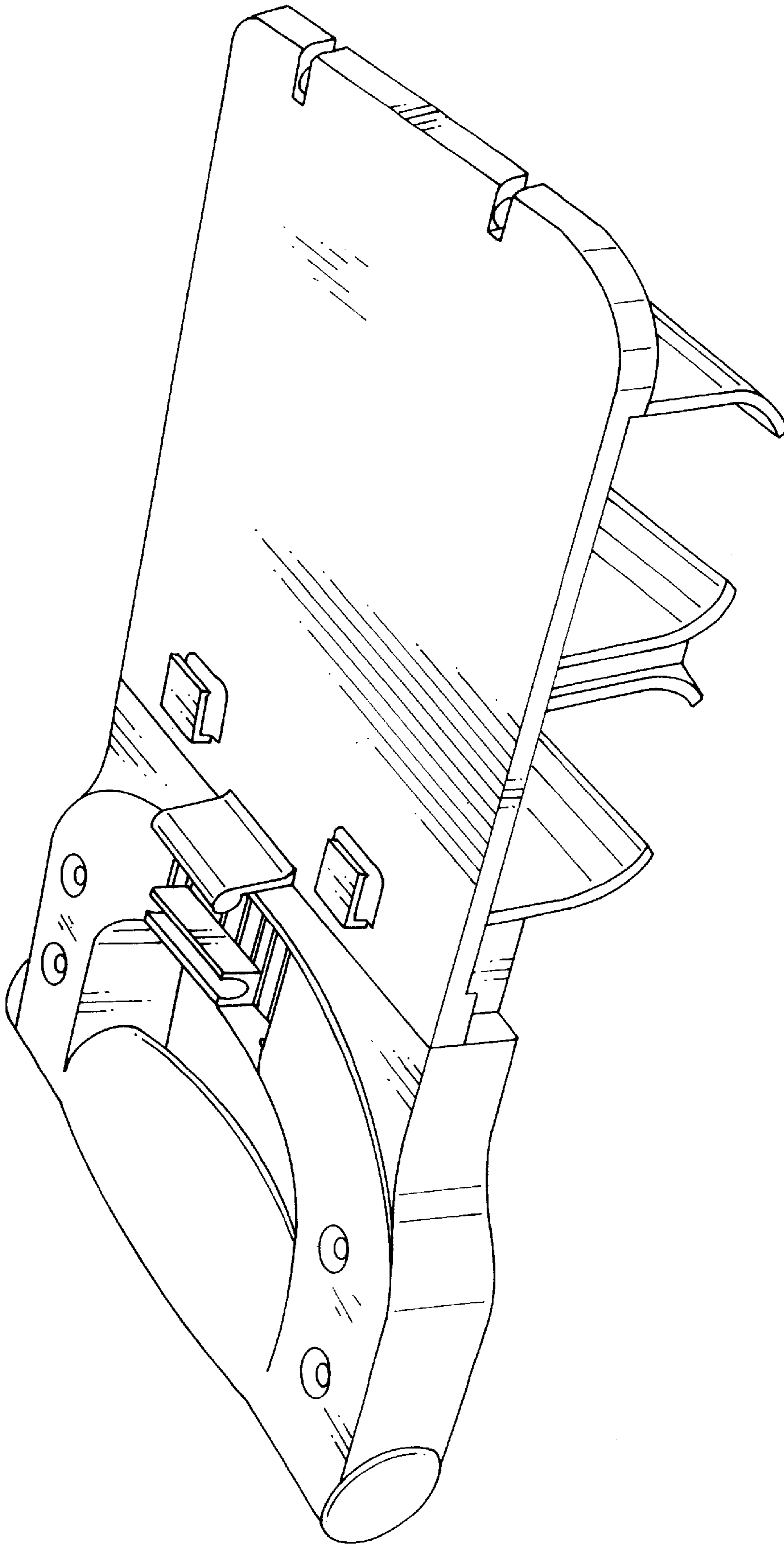


Fig. 1

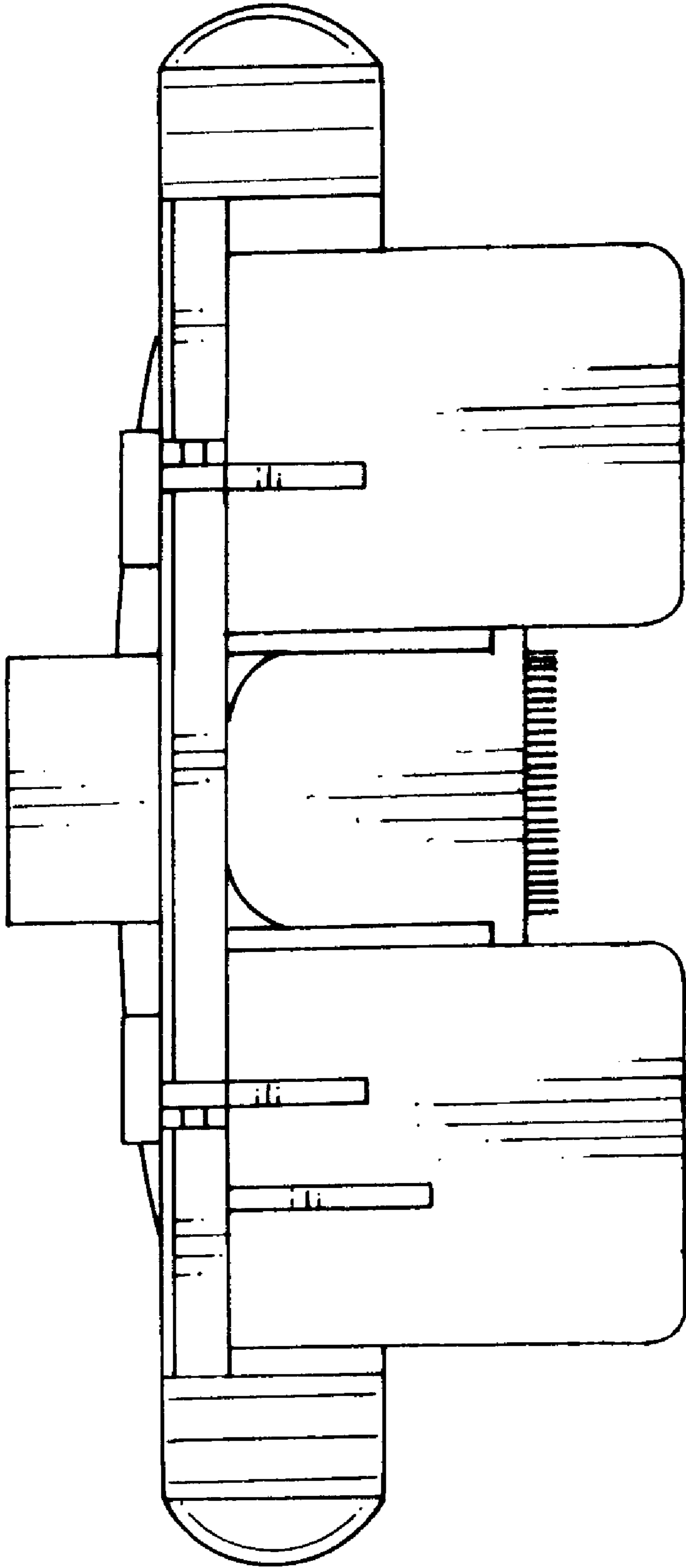


Fig. 2

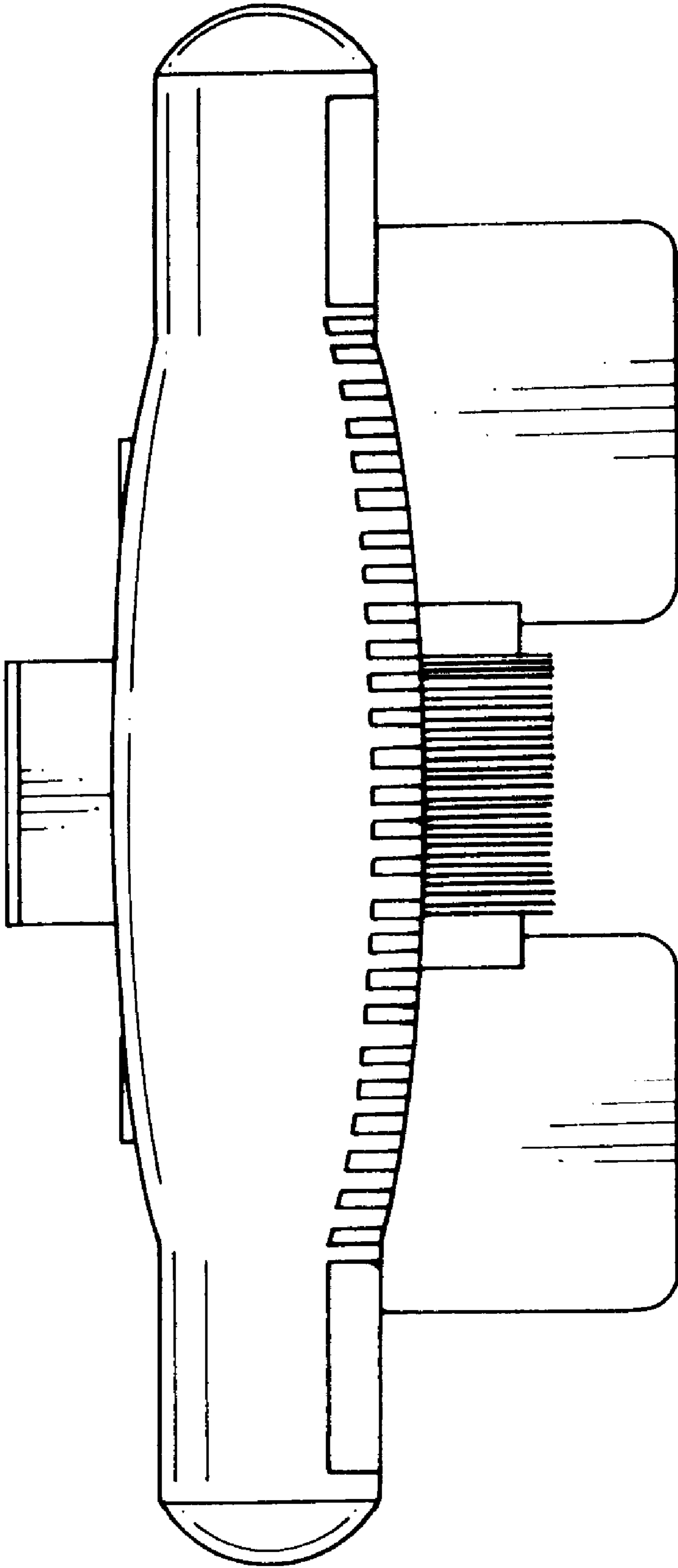


Fig. 3

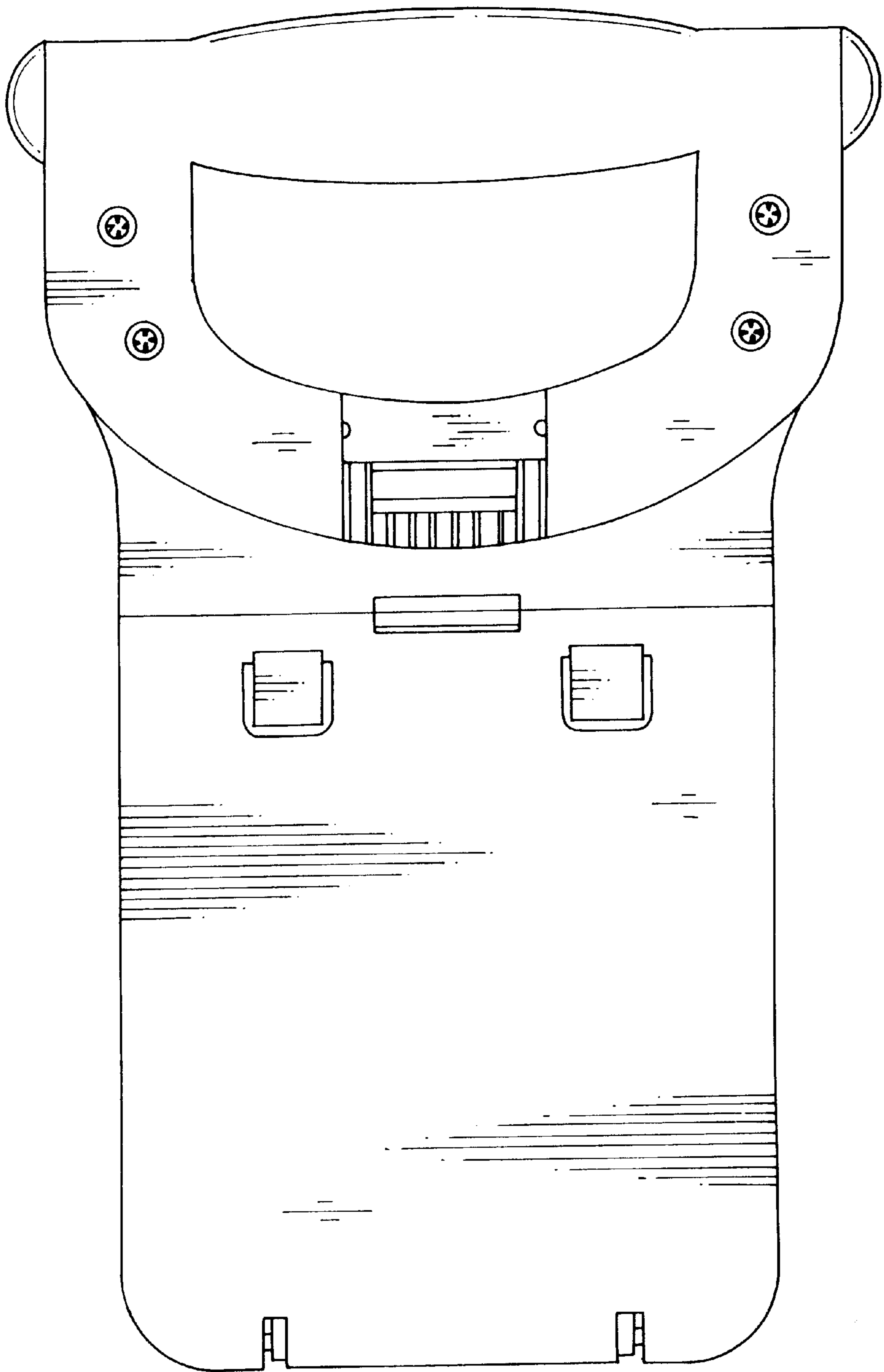


Fig. 4

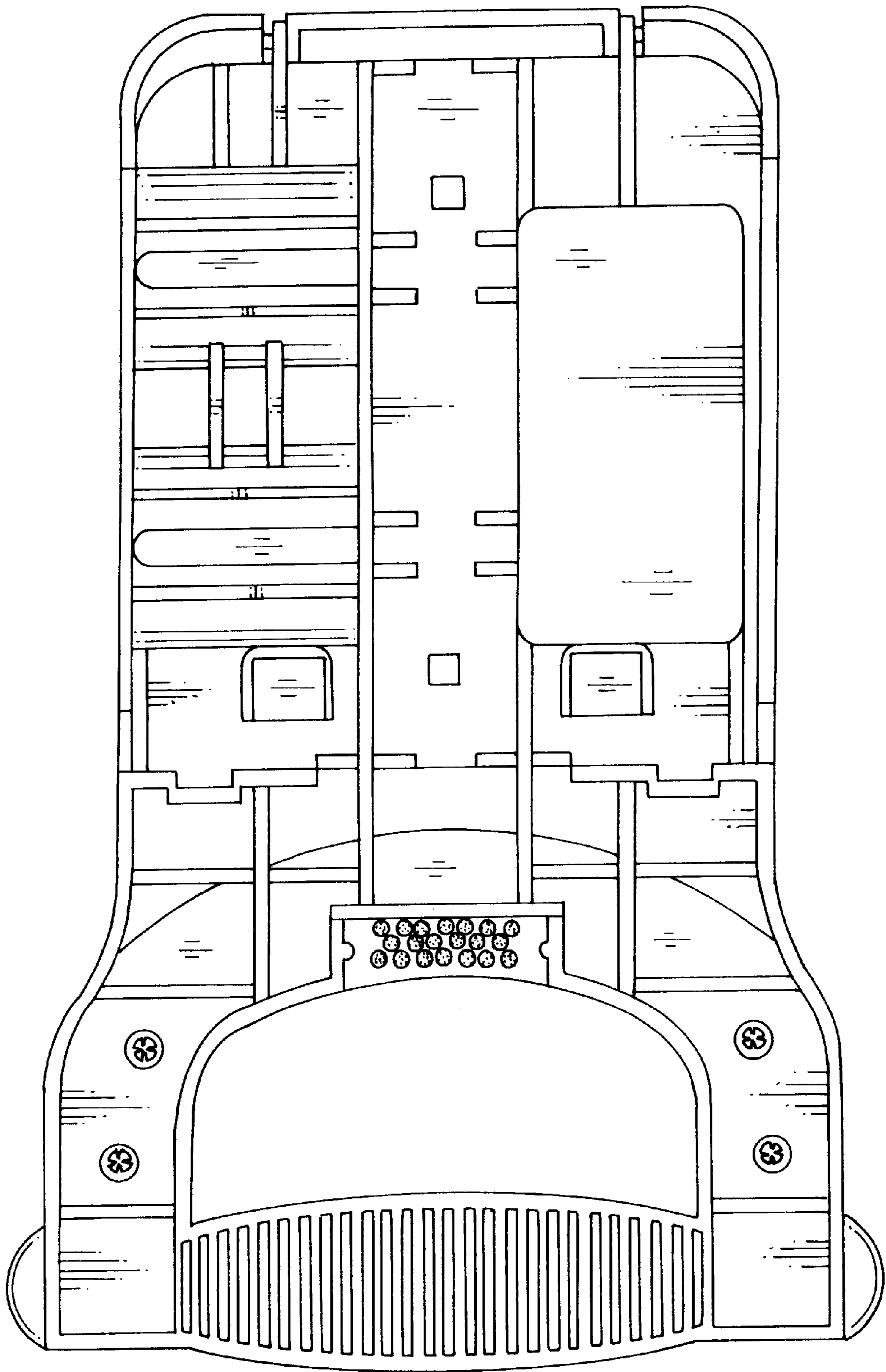


Fig. 5

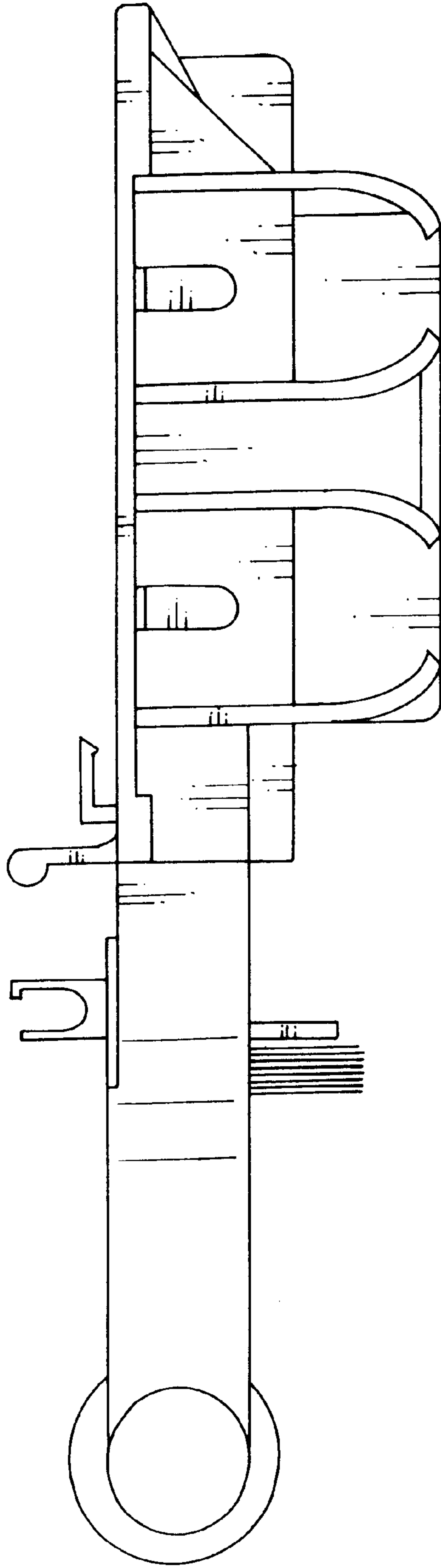


Fig. 6

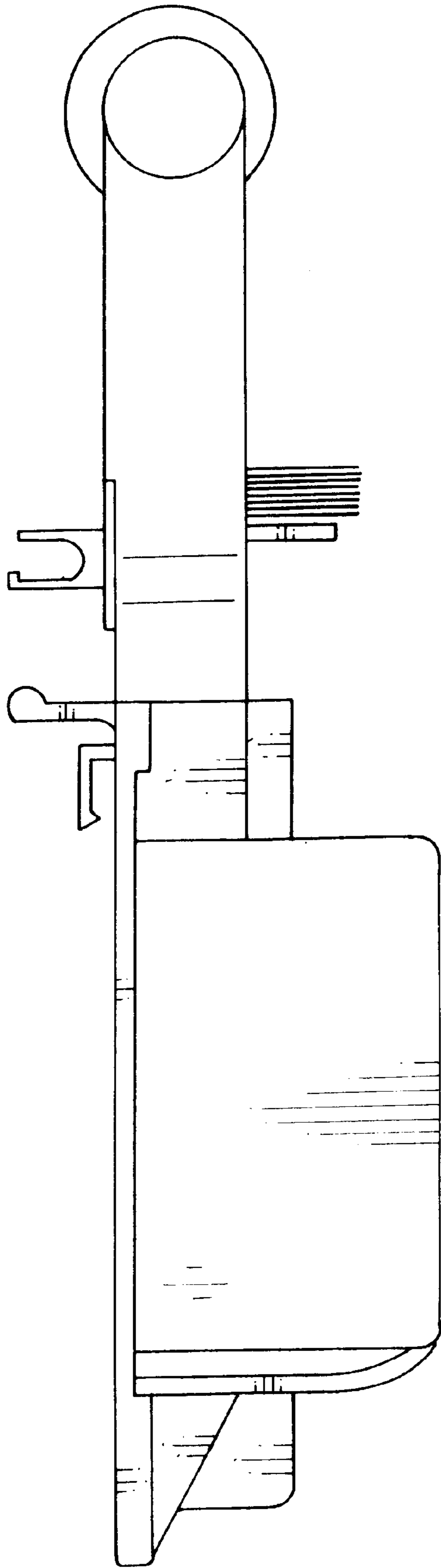


Fig. 7



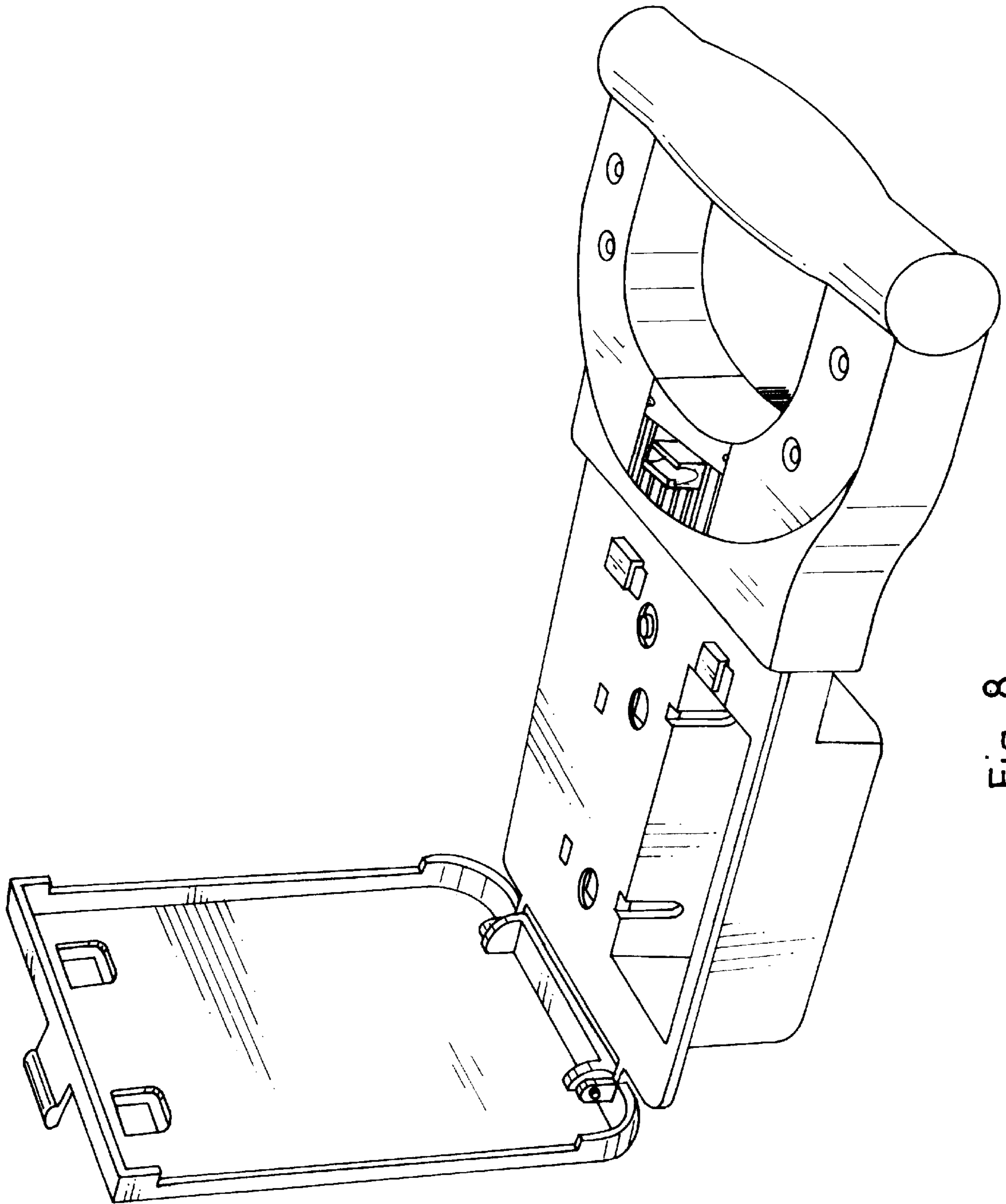


Fig. 8