



US00D412852S

United States Patent [19] Chiang

[11] Patent Number: Des. 412,852

[45] Date of Patent: ** Aug. 17, 1999

[54] ALARM CLOCK

[76] Inventor: **Kuo-Chin Chiang**, 58, Ma Yuan West St., Taichung, Taiwan

[**] Term: 14 Years

[21] Appl. No.: 29/097,033

[22] Filed: Nov. 26, 1998

[51] LOC (6) Cl. 10-01

[52] U.S. Cl. D10/6; D10/11

[58] Field of Search D10/6-11; D25/7, D25/16; D6/481, 397; D20/20

[56] **References Cited**

U.S. PATENT DOCUMENTS

- D. 149,021 3/1948 Punzak .
- D. 158,921 6/1950 Wynn .
- D. 234,190 1/1975 Daher D10/6
- D. 335,780 5/1993 Gordon D6/397
- D. 374,576 10/1996 Kaplan D6/481

- D. 406,534 3/1999 Kuo D10/11
- 2,708,114 5/1955 Hancock .
- 4,453,327 6/1984 Clarke 20/1
- 4,471,586 9/1984 Shuch et al. 52/36.2

Primary Examiner—Nelson C. Holtje

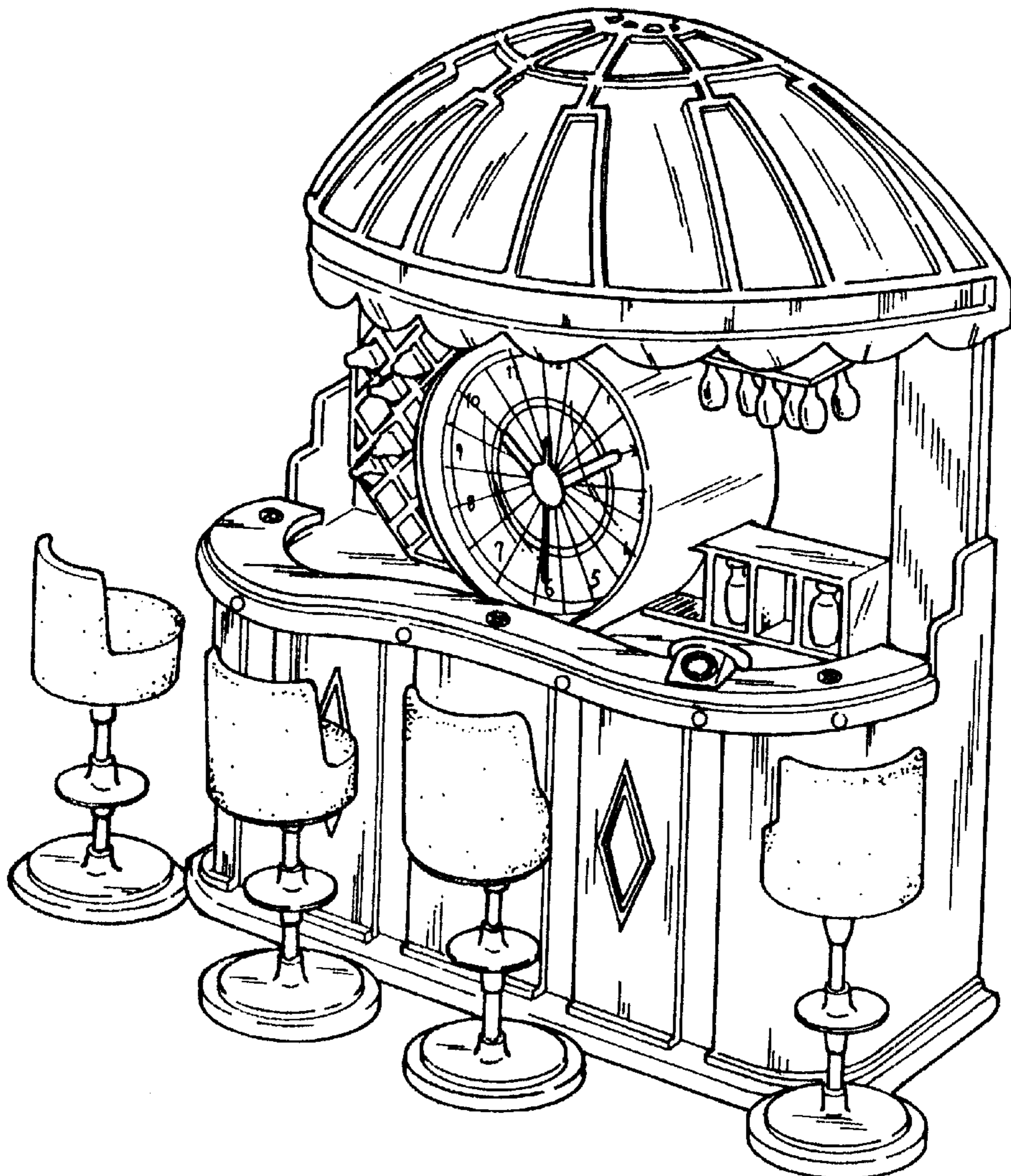
[57] **CLAIM**

The ornamental design for a alarm clock, as shown and described.

DESCRIPTION

FIG. 1 is a perspective view of an alarm clock showing my new design;
 FIG. 2 is a front elevational view thereof;
 FIG. 3 is a rear elevational view thereof;
 FIG. 4 is a left side elevational view thereof;
 FIG. 5 is a right side elevational view thereof;
 FIG. 6 is a top plan view thereof; and,
 FIG. 7 is a bottom plan view thereof.

1 Claim, 4 Drawing Sheets



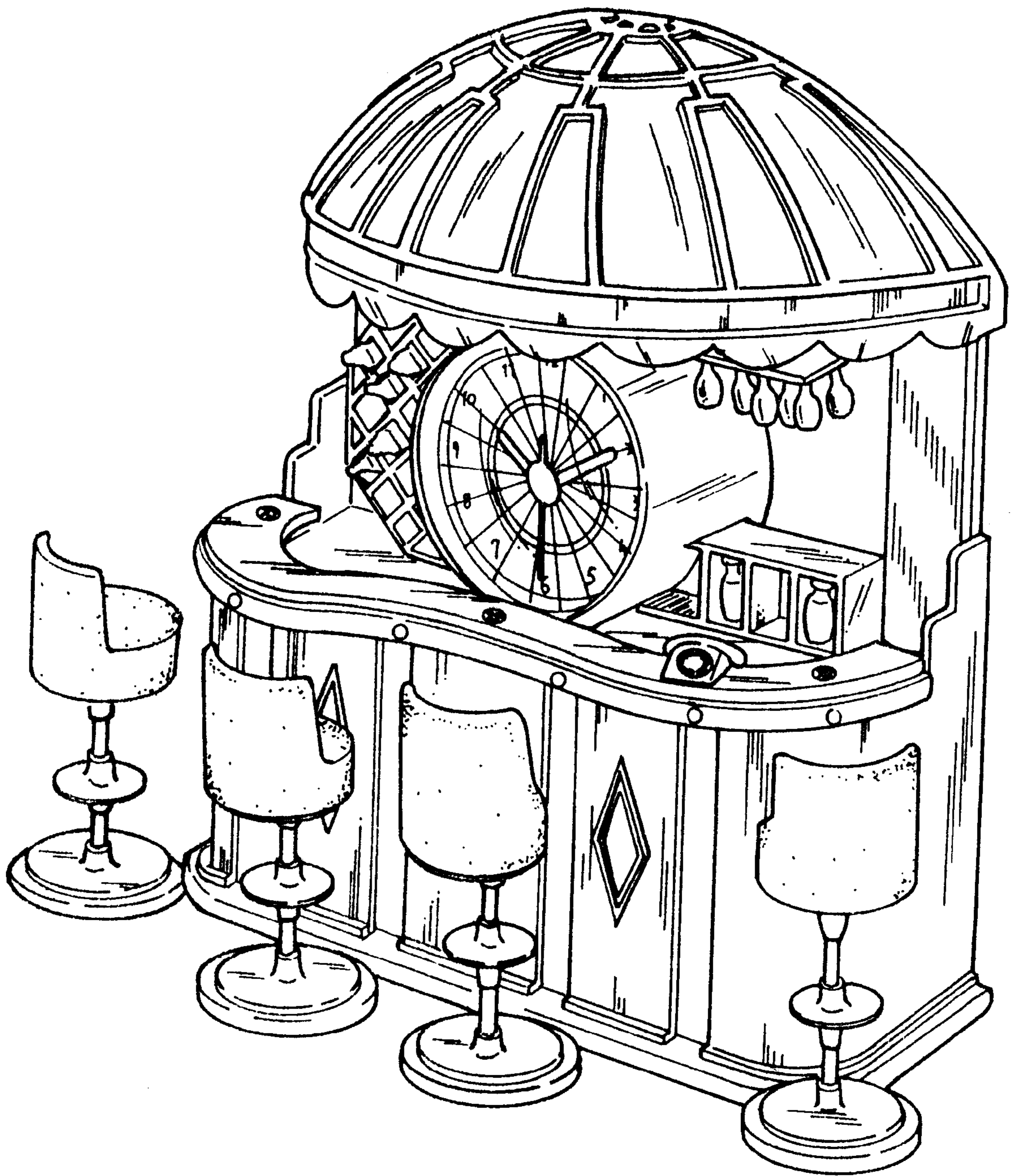


FIG 1

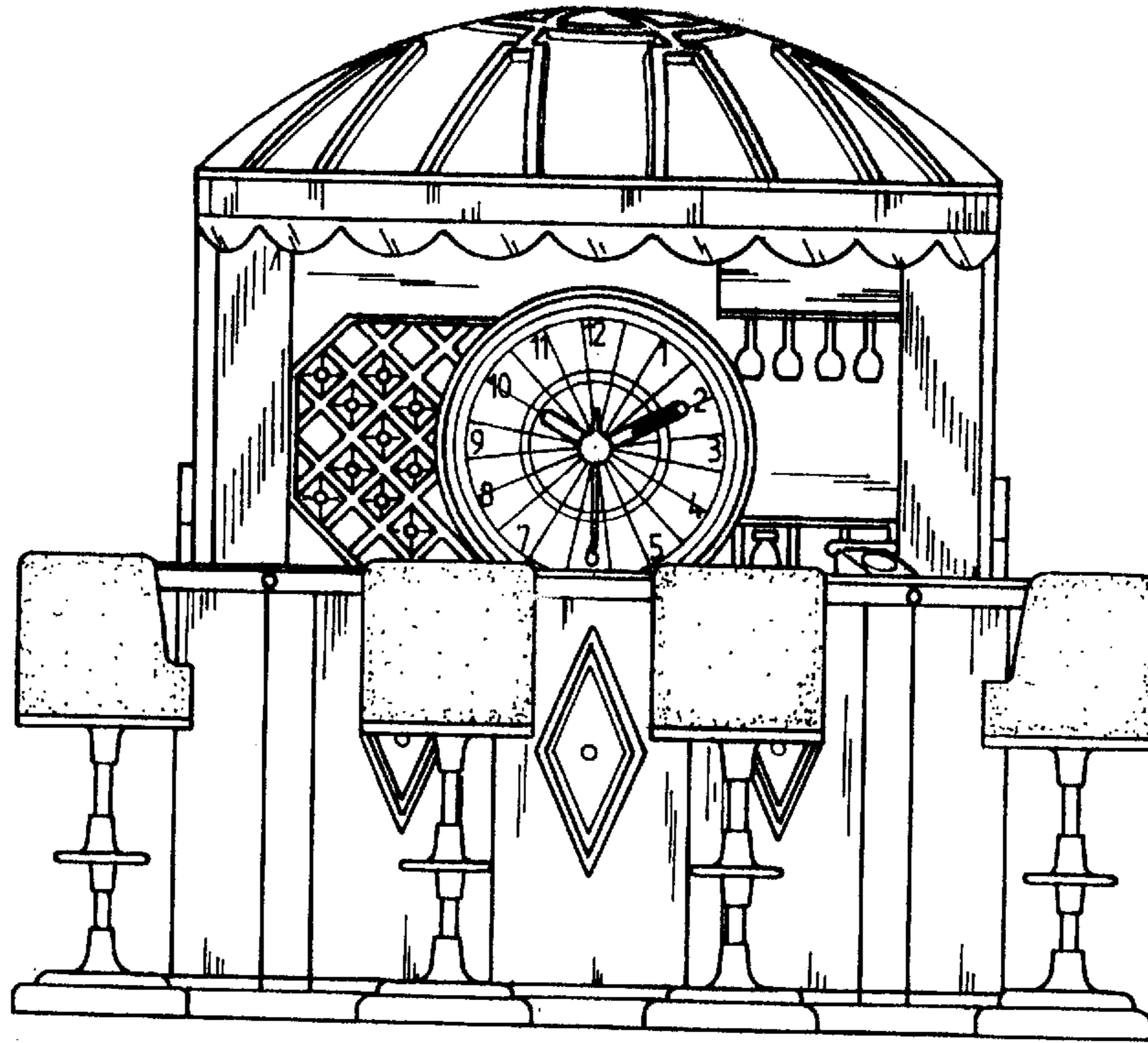


FIG 2

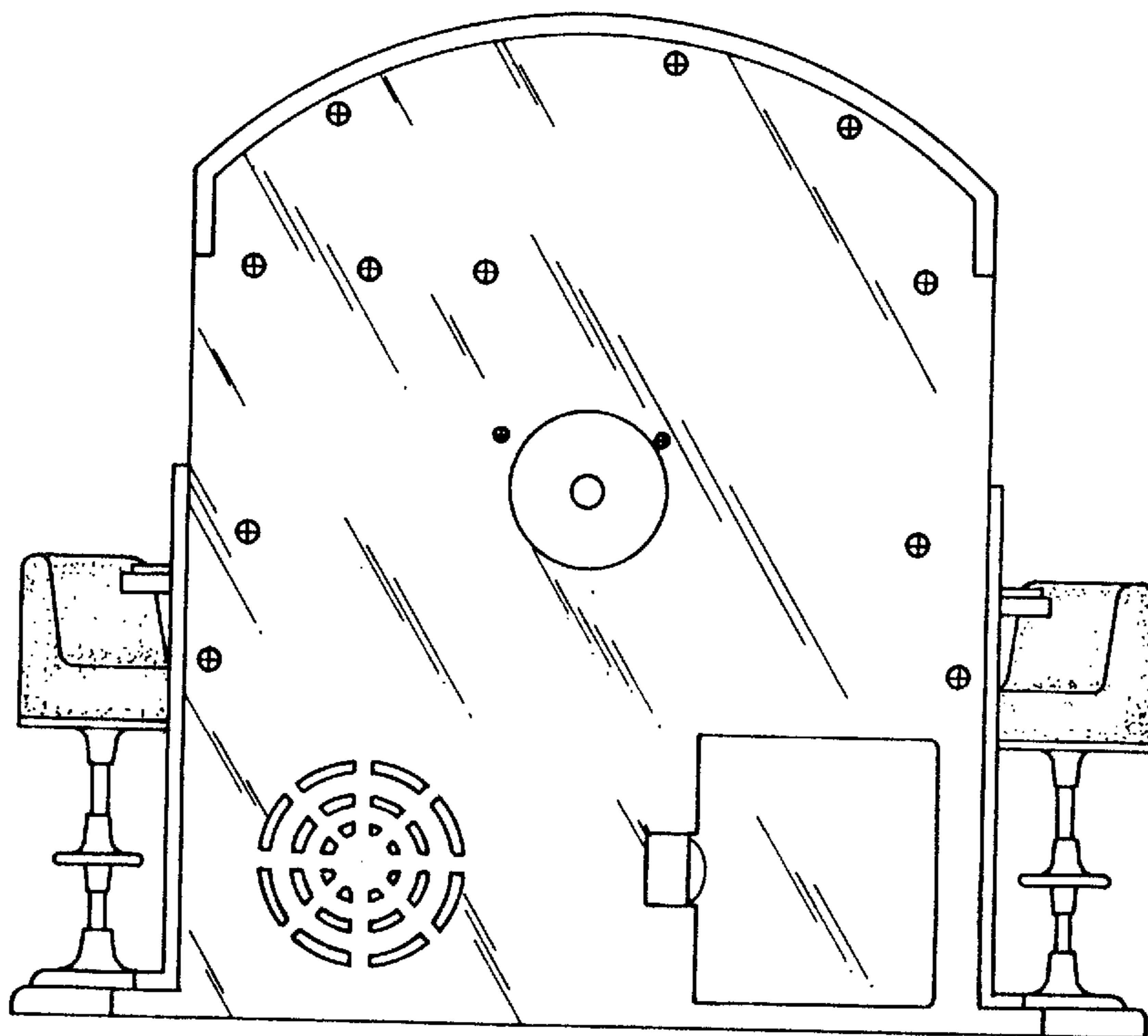


FIG 3

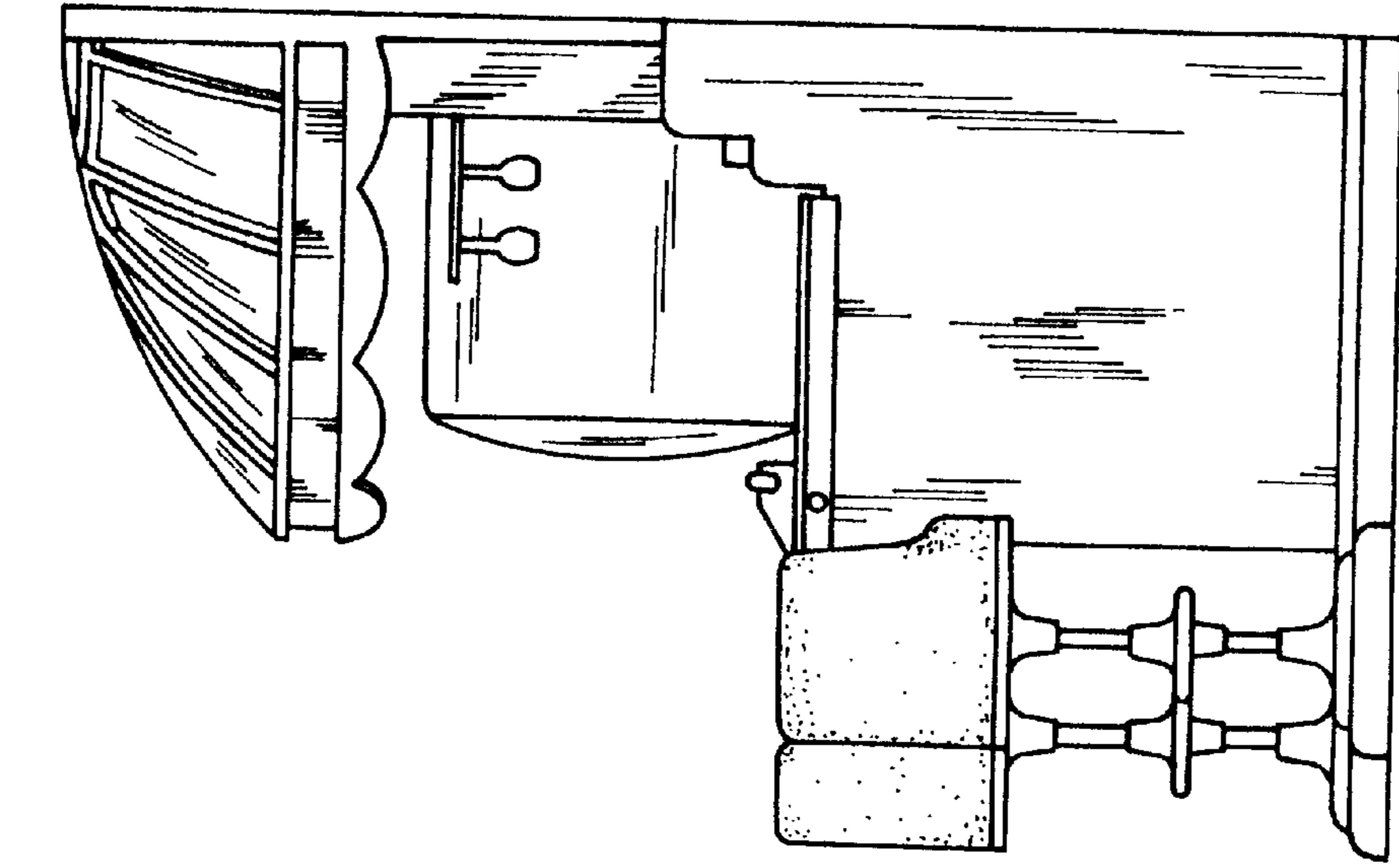


FIG 4

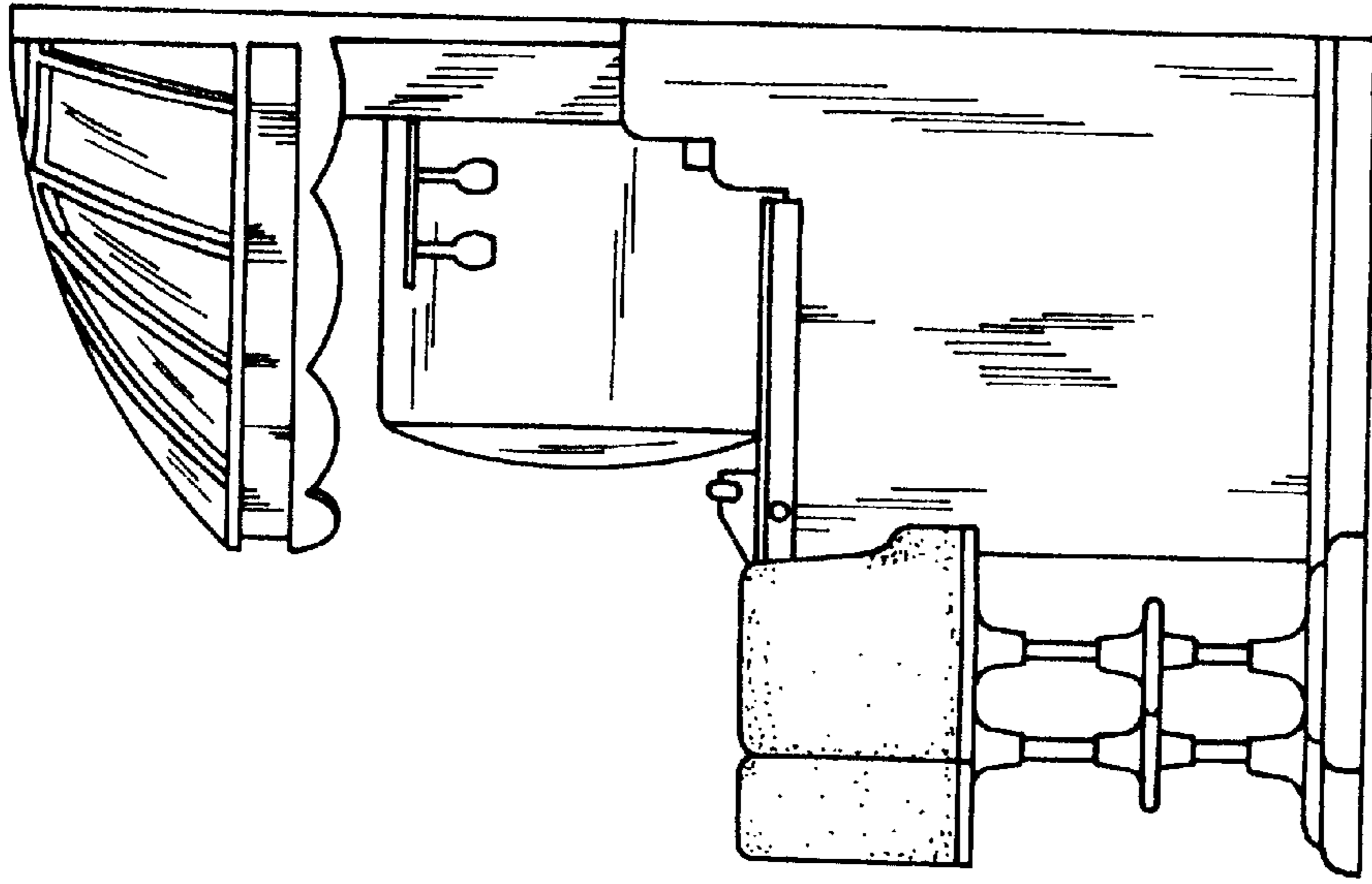


FIG 5

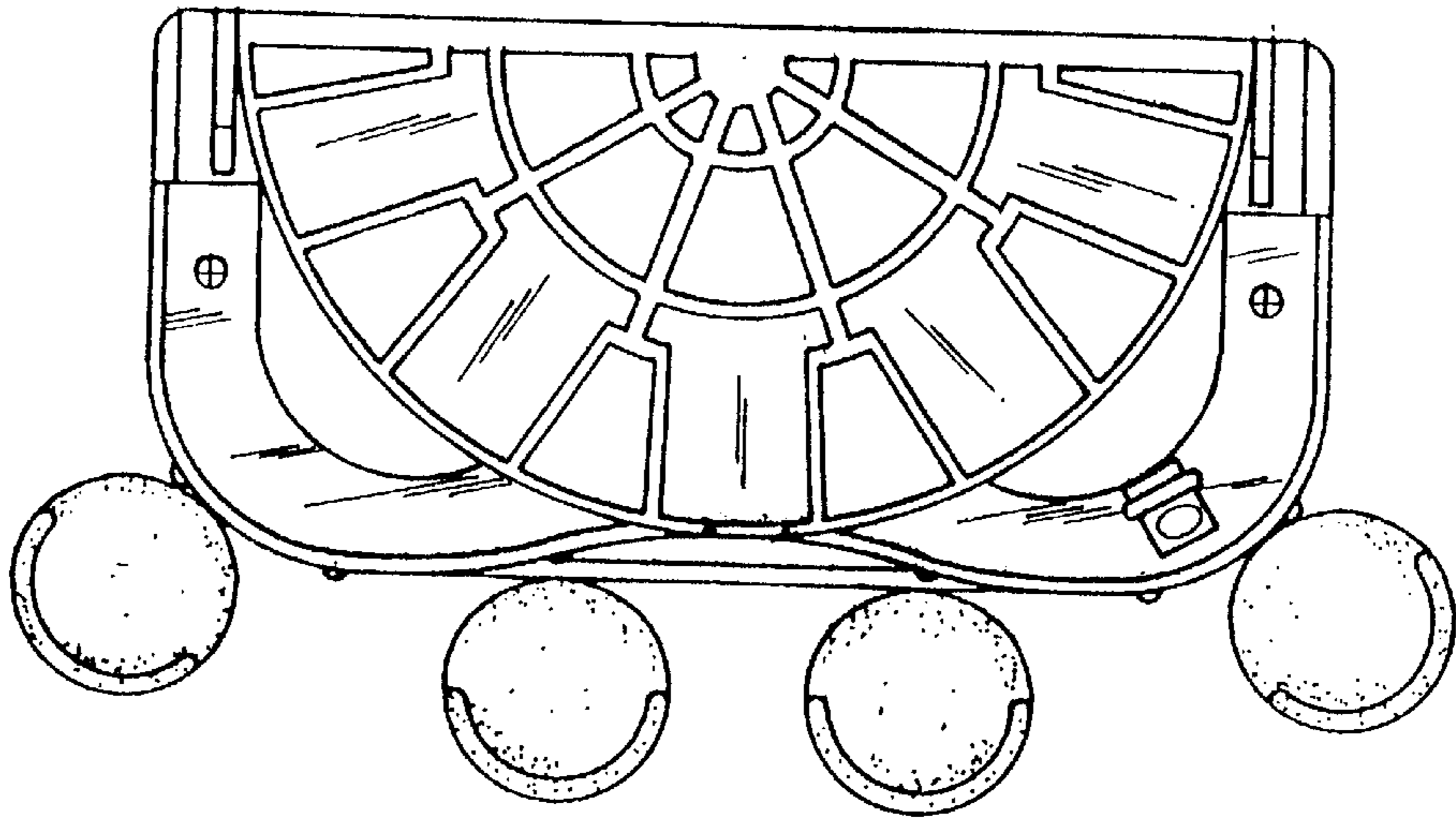


FIG 6

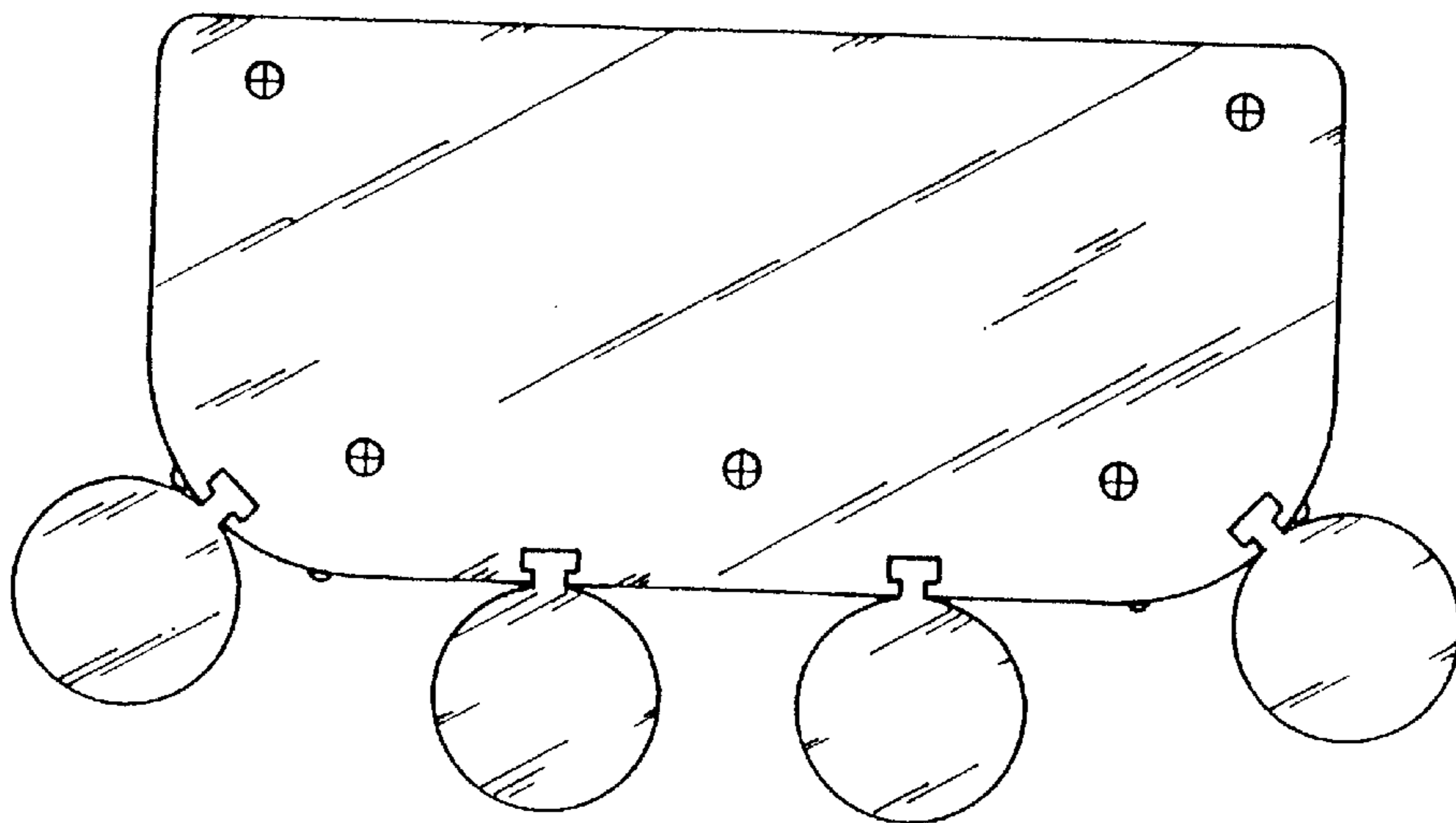


FIG 7