



US00D412846S

United States Patent [19]

Solis et al.

[11] Patent Number: Des. 412,846

[45] Date of Patent: ** Aug. 17, 1999

[54] CARRY HOLDER FOR SHOPPING BAGS

5,487,581 1/1996 Carmo et al. 294/137

[76] Inventors: **Monty F. Solis; Linda L. Solis**, both of
17740 Scherzinger, #222, Canyon
Country, Calif. 91351

Primary Examiner—Doris V. Coles
Assistant Examiner—Cathron B. Matta
Attorney, Agent, or Firm—Roger A. Marrs

[**] Term: **14 Years**

[57] CLAIM

[21] Appl. No.: **29/093,903**

The ornamental design for a carry holder for shopping bags,
as shown and described.

[22] Filed: **Sep. 21, 1998**

DESCRIPTION

[51] LOC (6) Cl. **09-07**

[52] U.S. Cl. **D9/434**

[58] Field of Search D9/434, 455; 294/137,
294/146, 158, 159, 160, 162, 163, 165,
170; 383/13

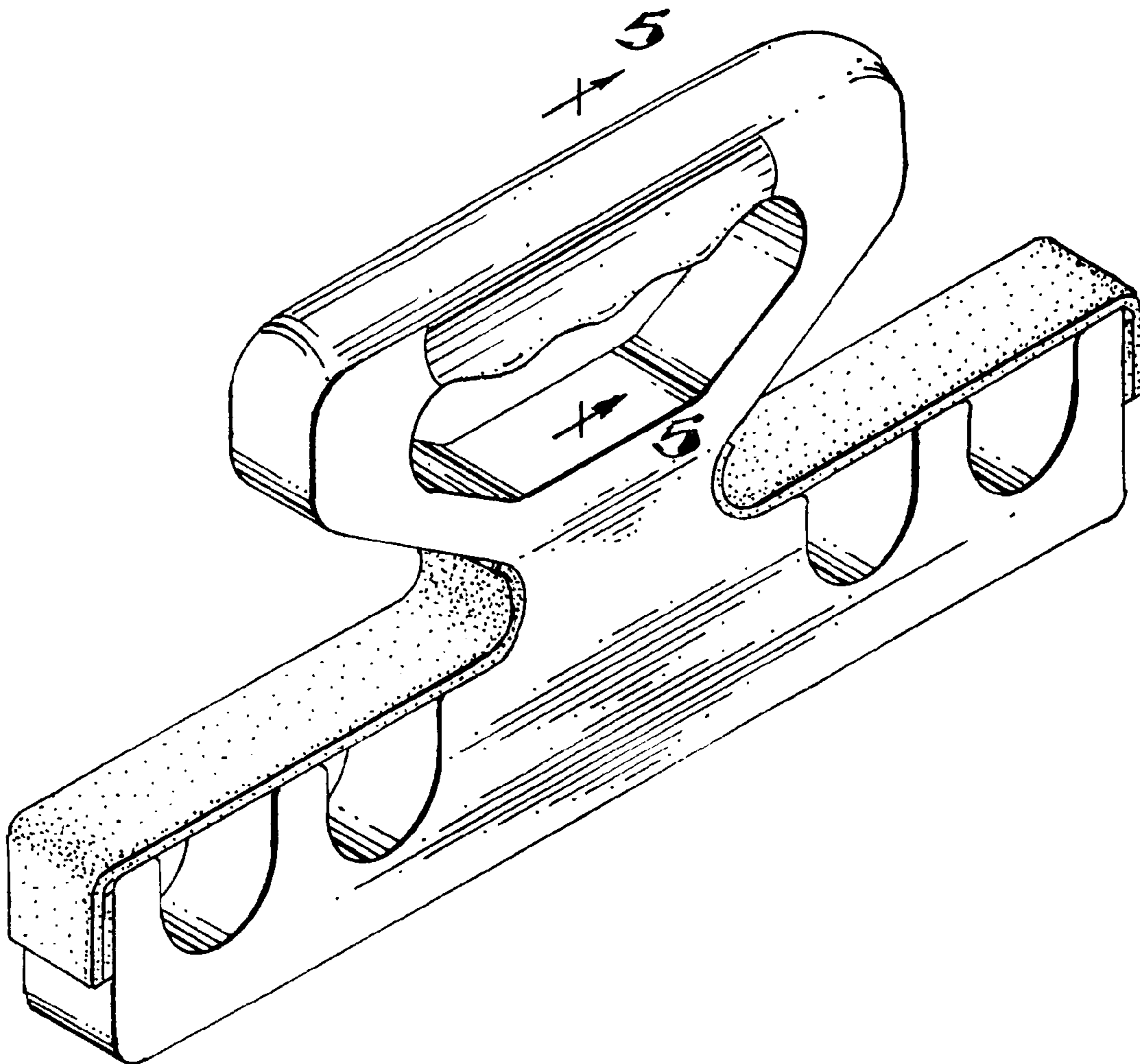
FIG. 1 is a perspective view showing our new design for a
carry holder for shopping bags;
FIG. 2 is an end elevational view thereof with the opposite
end being a mirror image;
FIG. 3 is a side elevational view thereof;
FIG. 4 is a bottom view thereof; and,
FIG. 5 is a transverse cross-sectional view as taken in the
direction of arrows 5—5 of FIG. 1.

[56] References Cited

U.S. PATENT DOCUMENTS

- D. 314,150 1/1991 Preciutti D9/434
- D. 340,863 11/1993 Daigle D9/434

1 Claim, 1 Drawing Sheet



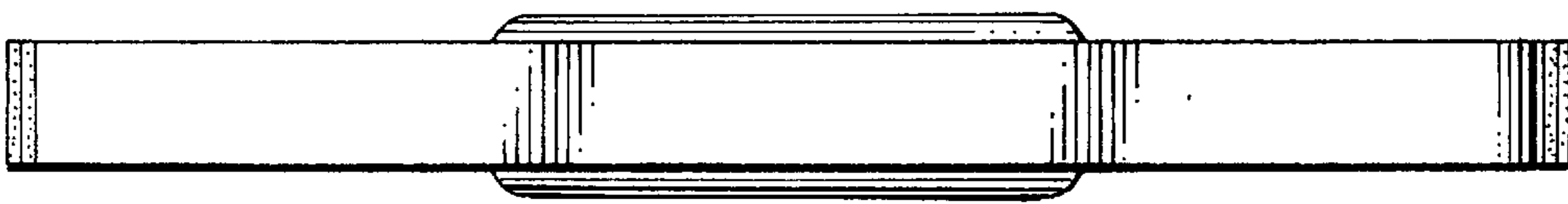
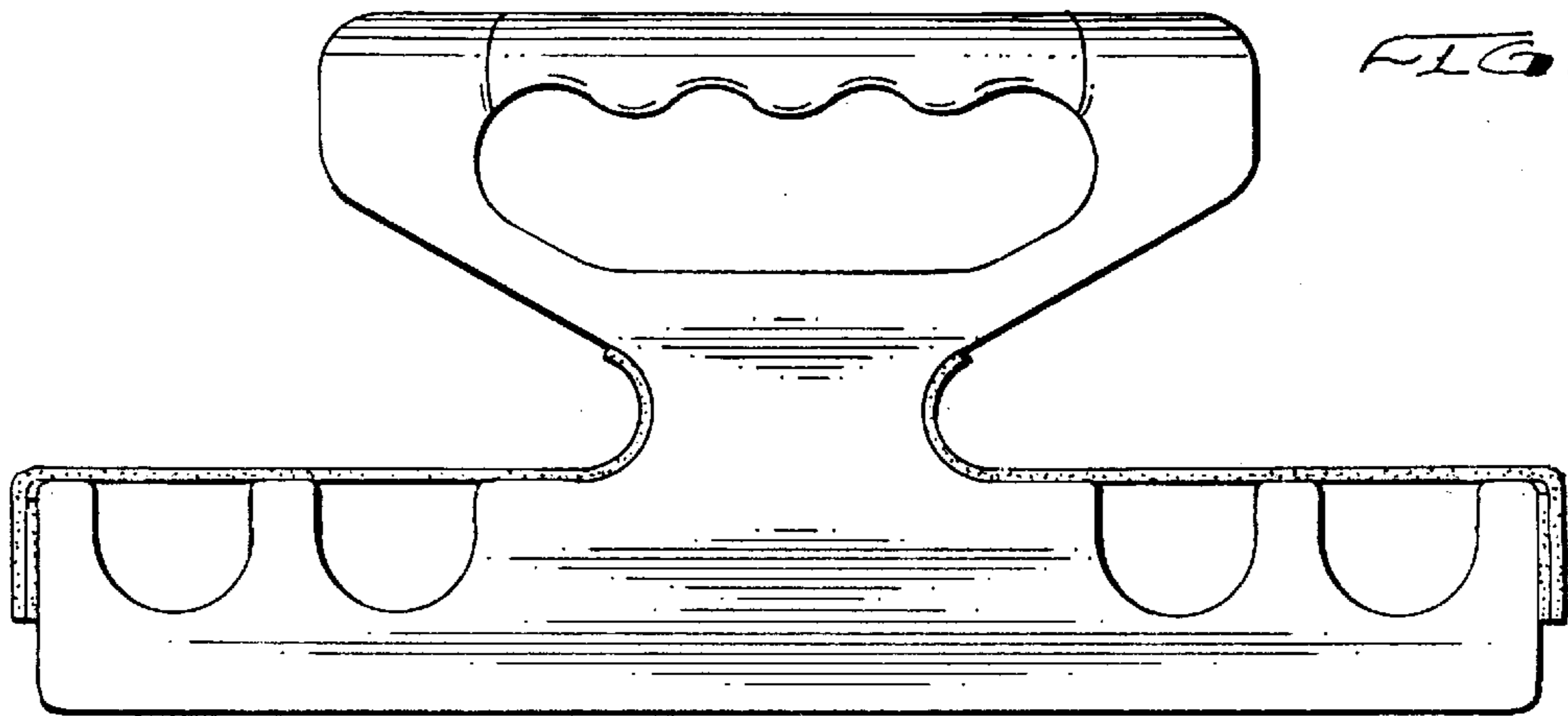
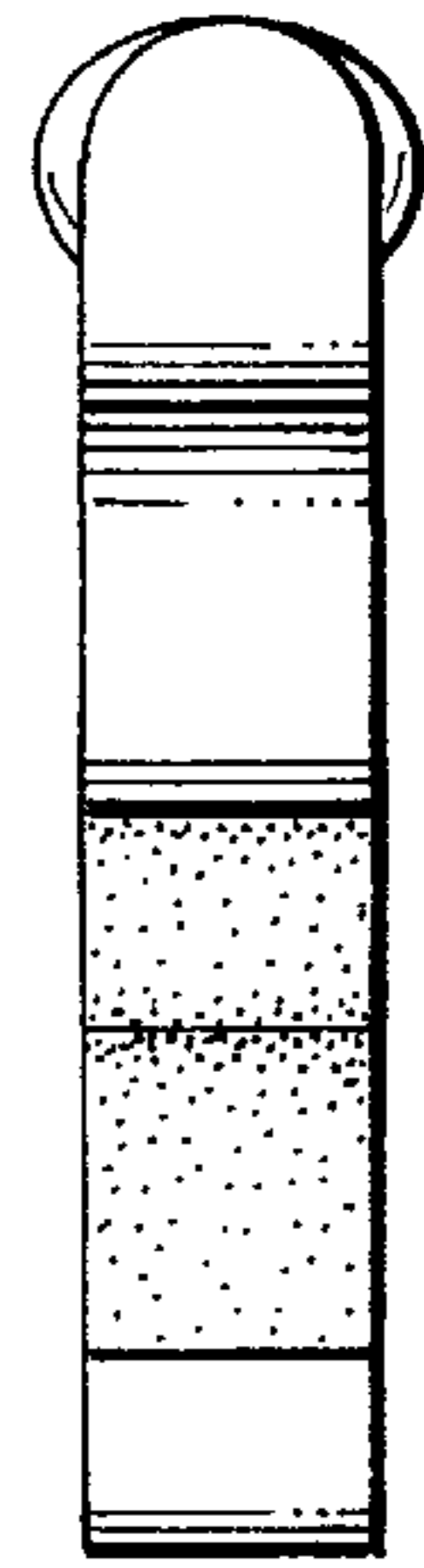
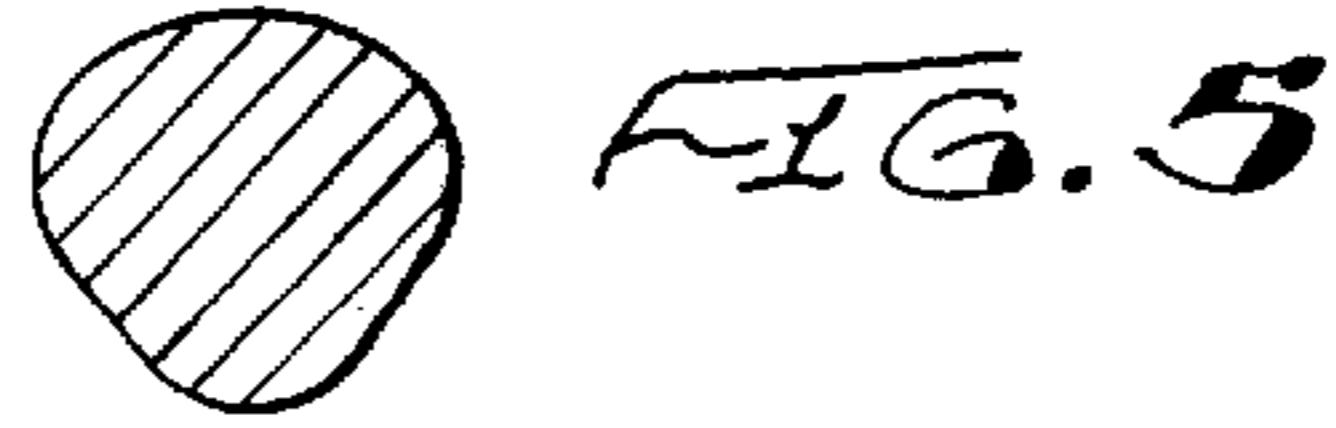
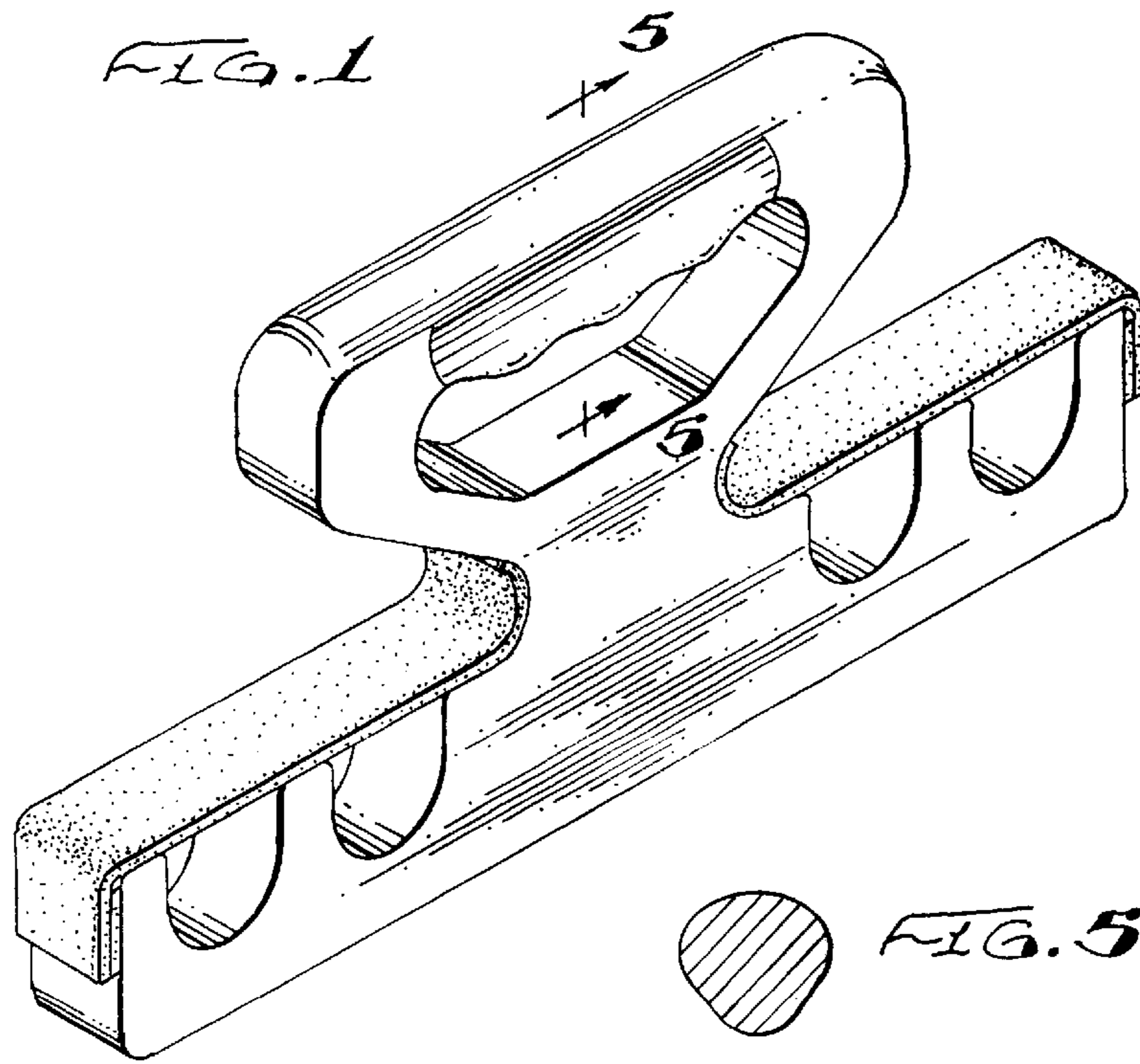


FIG. 4