



US00D412844S

United States Patent [19] Kopala, Jr.

[11] **Patent Number: Des. 412,844**

[45] **Date of Patent: ** Aug. 17, 1999**

[54] **TOOL HOLDER**

5,598,924 2/1997 McCann 206/372
5,730,303 3/1998 Chow 206/372 X

[75] Inventor: **Walter W. Kopala, Jr.**, Coto de Caza, Calif.

OTHER PUBLICATIONS

Modern Packaging, p. 334, 1963.

[73] Assignee: **Alltrade Inc.**, Long Beach, Calif.

Primary Examiner—Prabhakar Deshmukh
Attorney, Agent, or Firm—Robert R. Thornton

[**] Term: **14 Years**

[57] CLAIM

[21] Appl. No.: **29/096,429**

The ornamental design for a tool holder, as shown and described.

[22] Filed: **Nov. 12, 1998**

[51] **LOC (6) Cl.** **09-07**

DESCRIPTION

[52] **U.S. Cl.** **D9/415**

[58] **Field of Search** D9/414, 415, 418,
D9/337, 341, 347; 206/461-471, 495, 806,
349, 372-379, 37

FIG. 1 is a perspective view of a tool holder showing my new design, with its tool holder retaining bar shown in its closed position;

FIG. 2 is a right side elevational view thereof;

FIG. 3 is a front elevational view thereof;

FIG. 4 is a rear elevational view thereof;

FIG. 5 is a left side elevational view thereof;

FIG. 6 is a bottom plan view thereof;

FIG. 7 is a top plan view thereof; and,

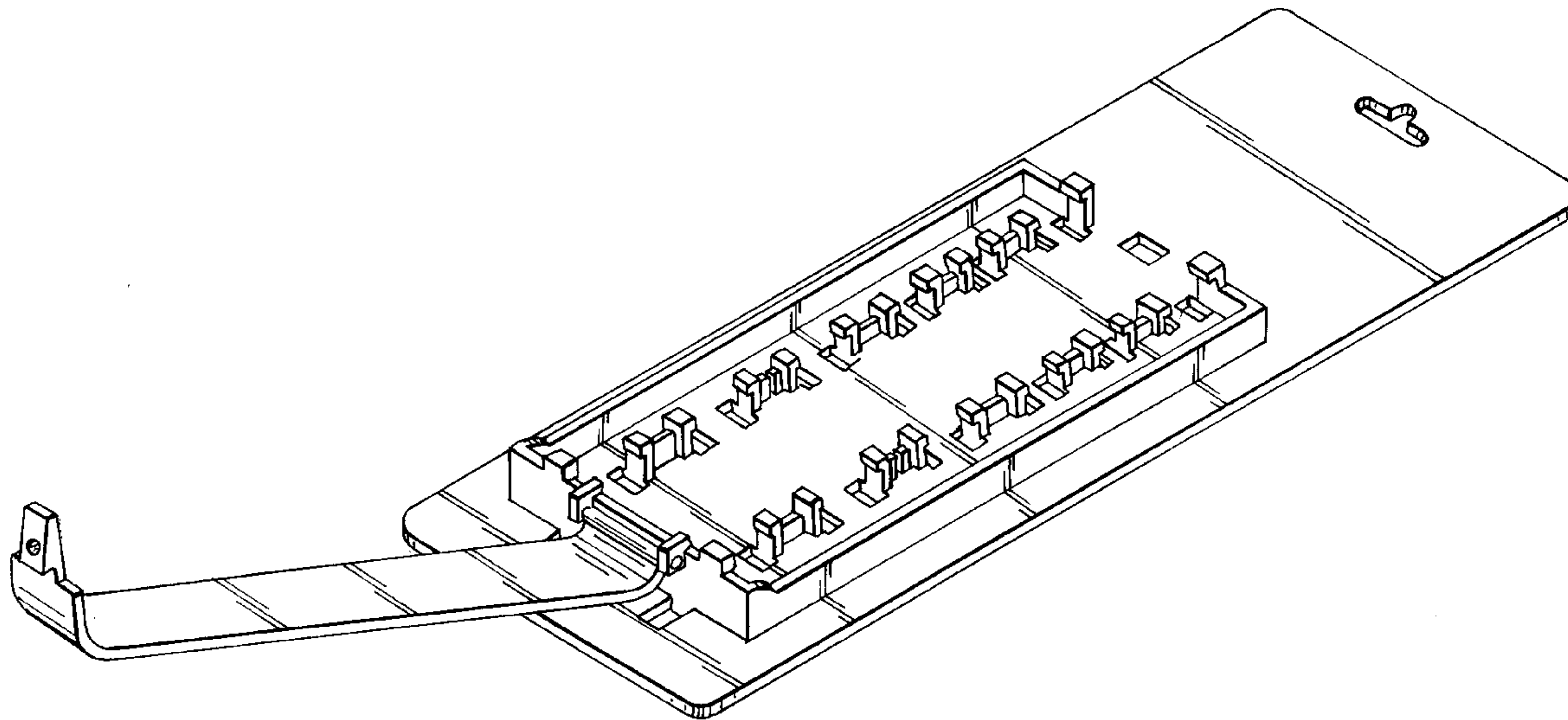
FIG. 8 is a perspective view thereof with its tool holder retaining bar shown in its opened position.

[56] References Cited

U.S. PATENT DOCUMENTS

| | | | |
|------------|--------|---------------------|-----------|
| D. 370,626 | 6/1996 | Pass et al. | D9/415 |
| D. 394,806 | 6/1998 | Budert | D9/415 |
| 4,146,131 | 3/1979 | Hoffman et al. | 206/806 X |
| 5,147,038 | 9/1992 | Pergeau | 206/373 |
| 5,388,694 | 2/1995 | Arendt | 206/373 X |
| 5,447,232 | 9/1995 | Chow | 206/372 X |

1 Claim, 4 Drawing Sheets



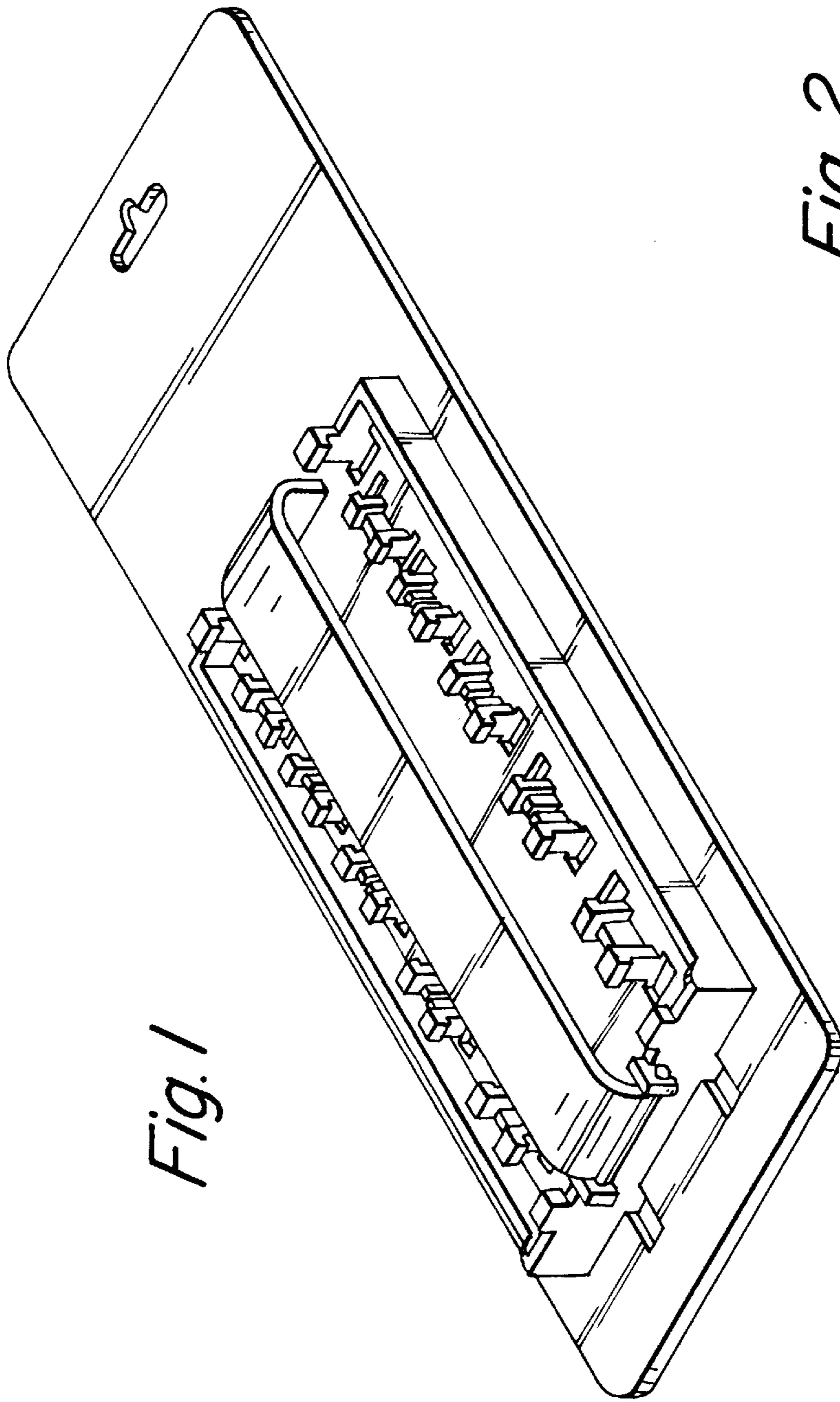
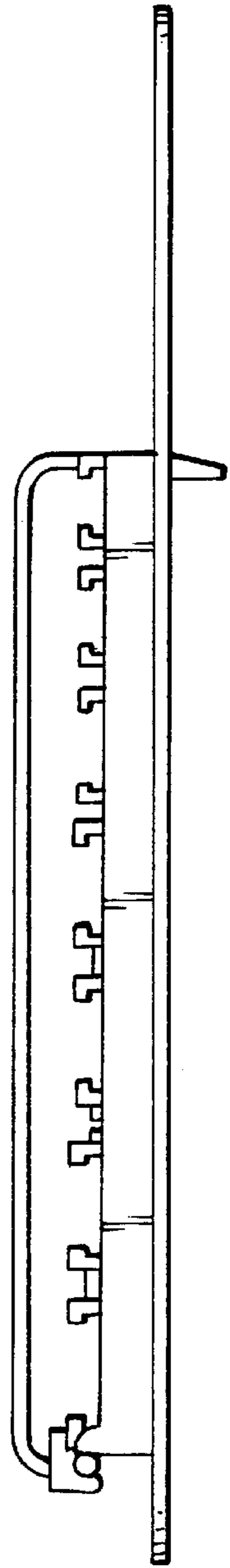


Fig. 2



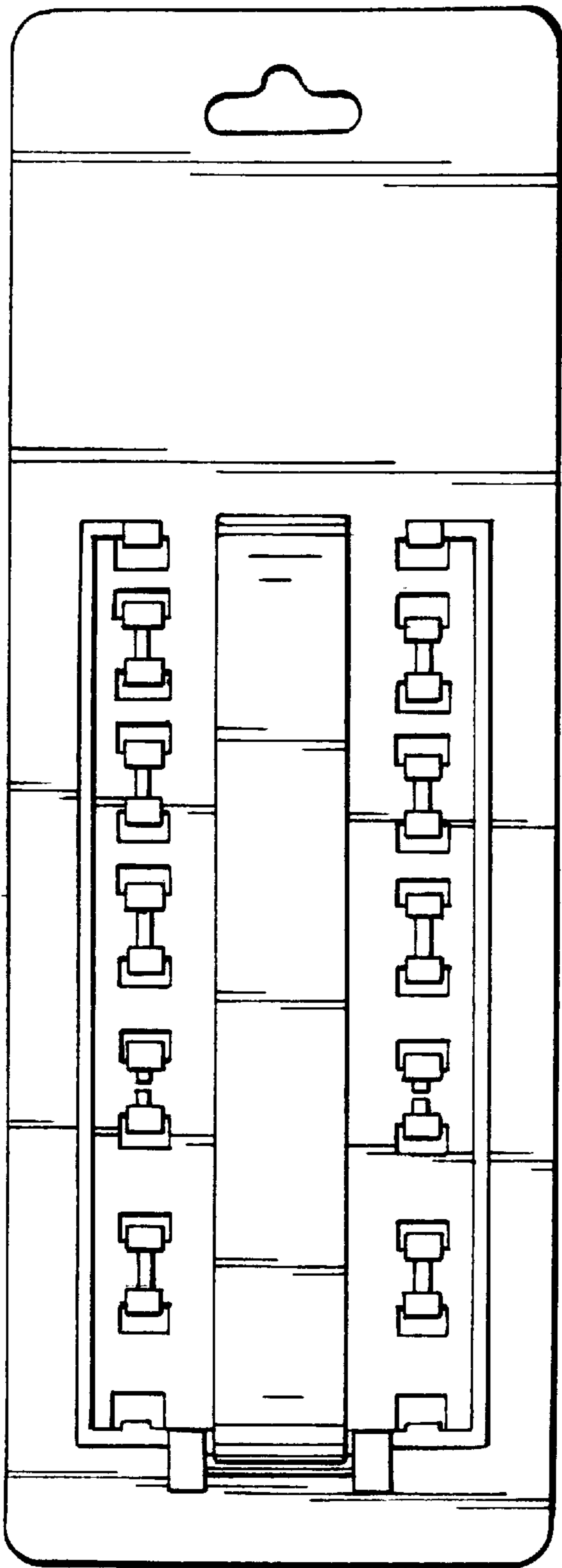


Fig. 3

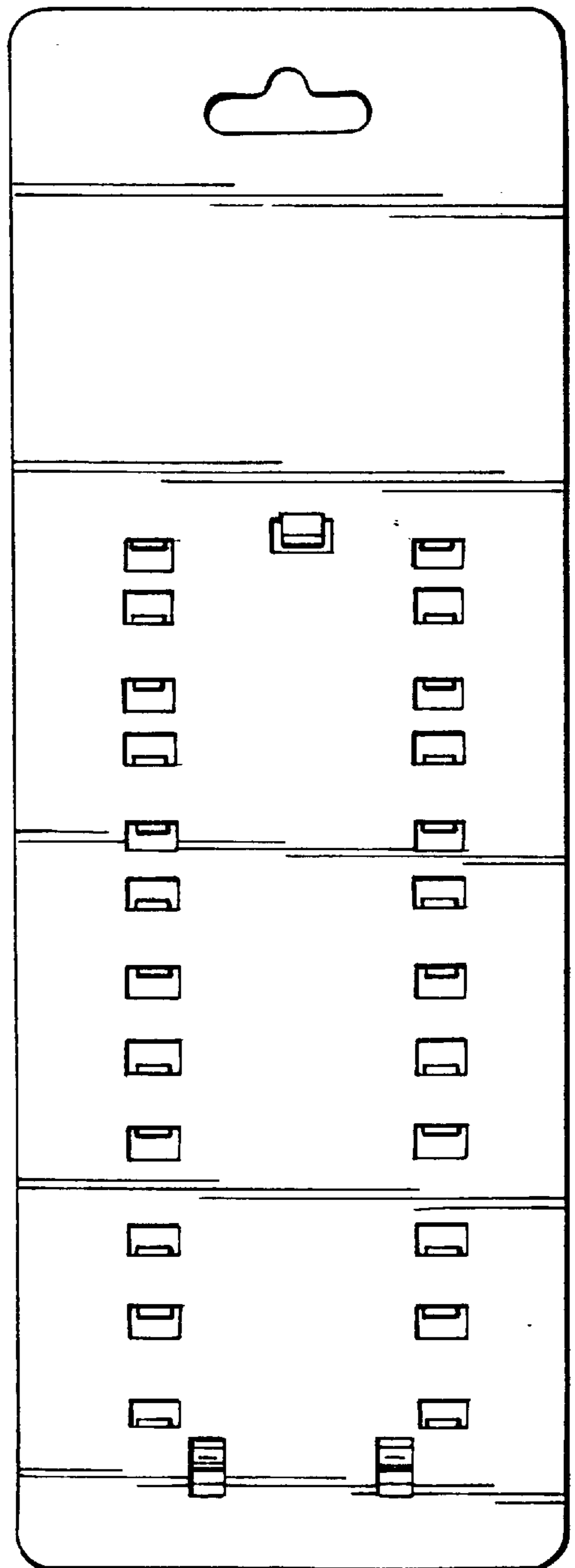


Fig. 4

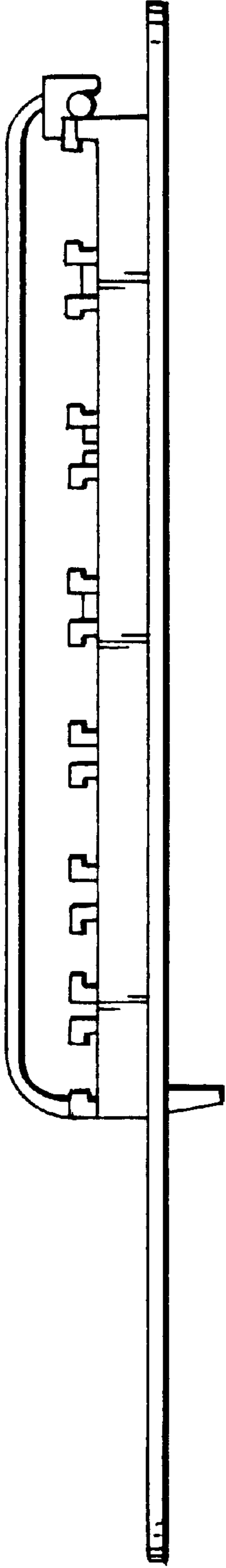


Fig. 5

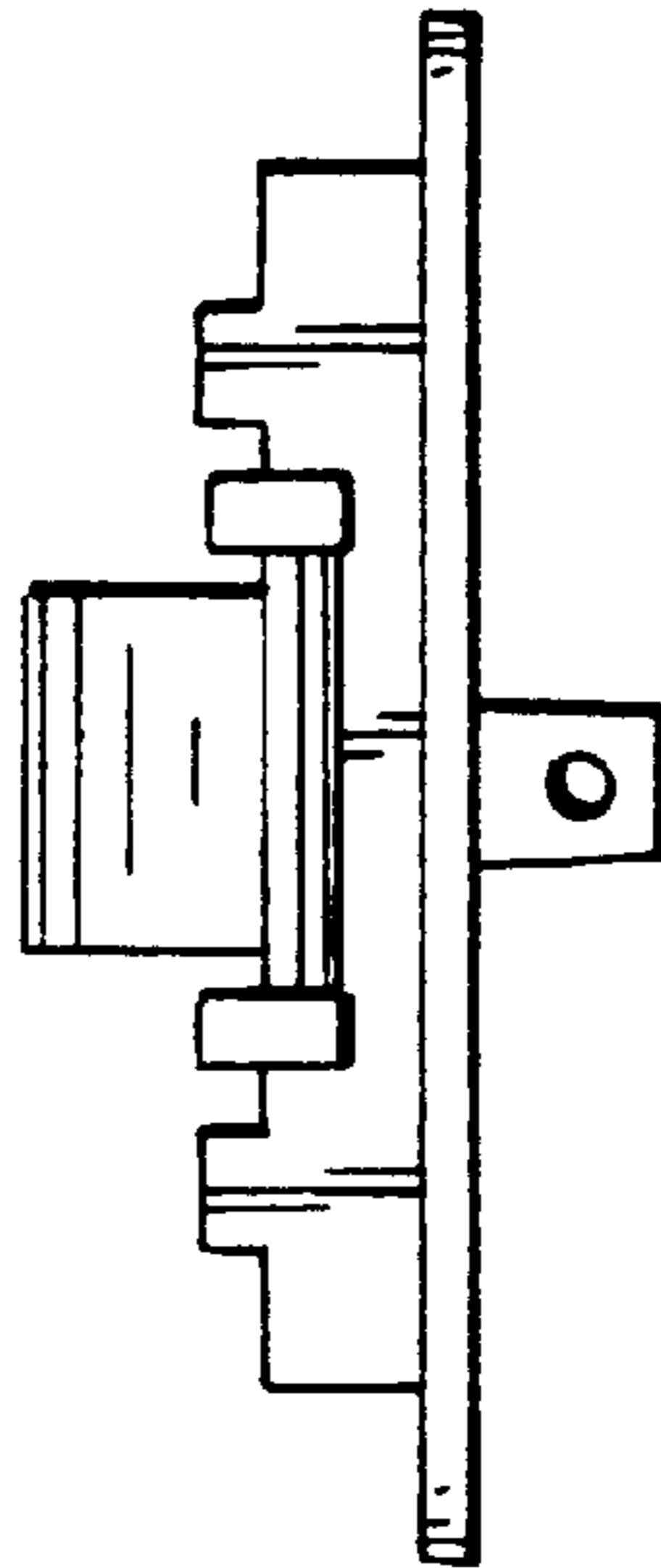


Fig. 6

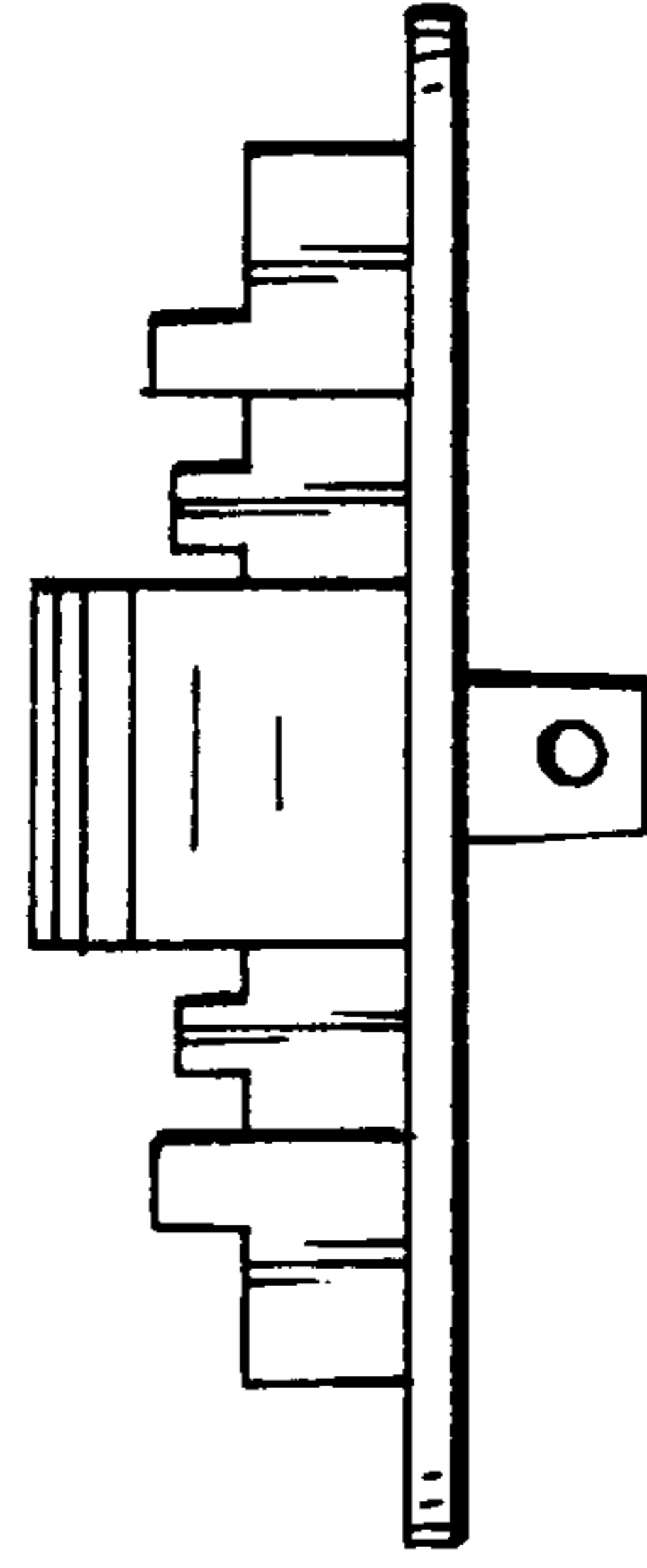


Fig. 7

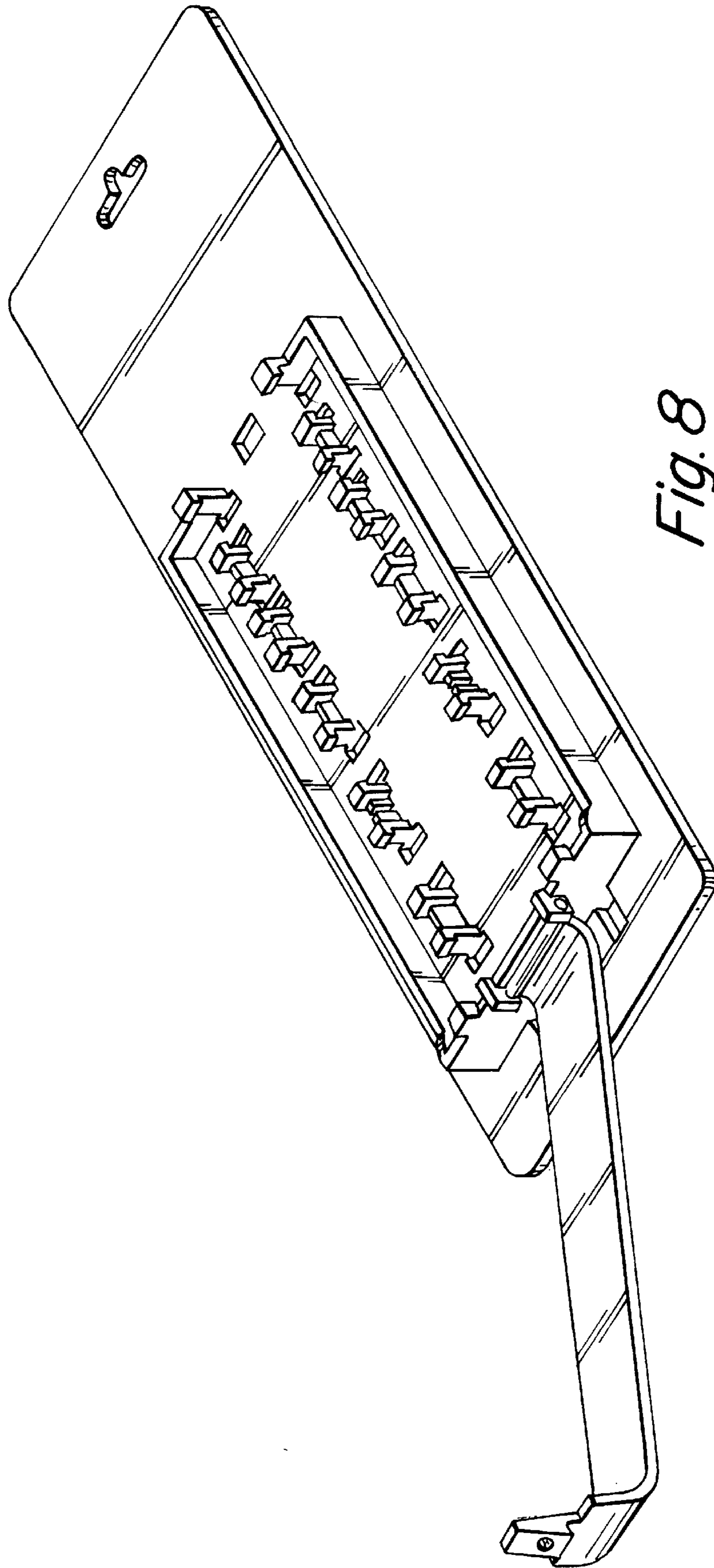


Fig. 8