



US00D412843S

United States Patent [19]
Melzer

[11] **Patent Number: Des. 412,843**

[45] **Date of Patent: ** Aug. 17, 1999**

[54] **PACKAGE**

[75] Inventor: **Steven Melzer**, Marlboro, N.J.

[73] Assignee: **Ballarini, Paolo & Figli SpA**, Rivarolo Mantovano, Italy

[**] Term: **14 Years**

[21] Appl. No.: **29/084,642**

[22] Filed: **Mar. 6, 1998**

[51] **LOC (6) Cl.** **09-07**

[52] **U.S. Cl.** **D9/415**

[58] **Field of Search** D9/415, 418, 414,
D9/346, 433; 206/45.28, 45.29, 303, 304.1,
304.2, 462, 471, 495, 806, 775-779

[56] **References Cited**

U.S. PATENT DOCUMENTS

D. 354,679	1/1995	Dunn	D9/415
D. 371,070	6/1996	Brier	D9/415
3,767,043	10/1973	Margolis et al.	206/775 X
3,912,074	10/1975	Vargo	206/779
4,315,569	2/1982	Jaeschke	206/779 X
4,400,161	8/1983	Gerlt	206/760 X
5,495,937	3/1996	Fraser	206/775 X
5,622,258	4/1997	Baublitz et al.	206/779 X

Primary Examiner—Prabhakar G. Deshmukh
Attorney, Agent, or Firm—Lawrence G. Fridman

[57] **CLAIM**

The ornamental design for a package, as shown and described.

DESCRIPTION

FIG. 1 is a front perspective view of a package in the assembled condition according to my new design;

FIG. 2 is a rear perspective view of the package in the assembled condition;

FIG. 3 is a top plan view thereof;

FIG. 4 is a bottom plan view thereof;

FIG. 5 is a front elevational view thereof;

FIG. 6 is a rear elevational view thereof;

FIG. 7 is a right-hand side elevational view thereof (a left-hand side is a mirror image of FIG. 7);

FIG. 8 is a plan view of the package in the flat condition; and,

FIG. 9 is a partial plan view of a modified embodiment of the package.

The broken lines showing of an article is for illustrative purpose only and forms no part of the claim. The corresponding views of the second embodiment (FIG. 9) are the same as disclosed in FIGS. 2-8 of the first embodiment (FIG. 1) except the opening configuration.

1 Claim, 3 Drawing Sheets

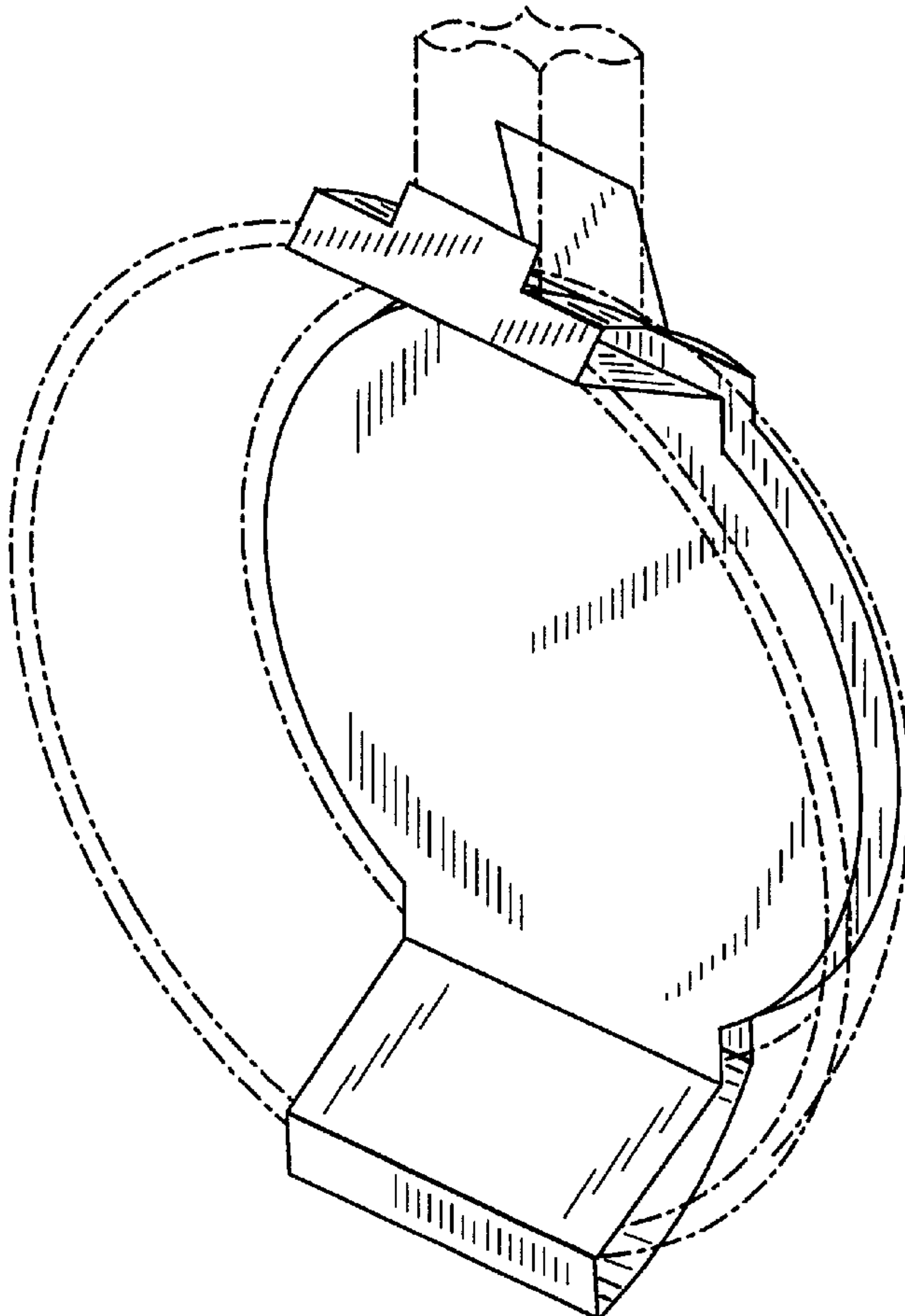


FIG. 1

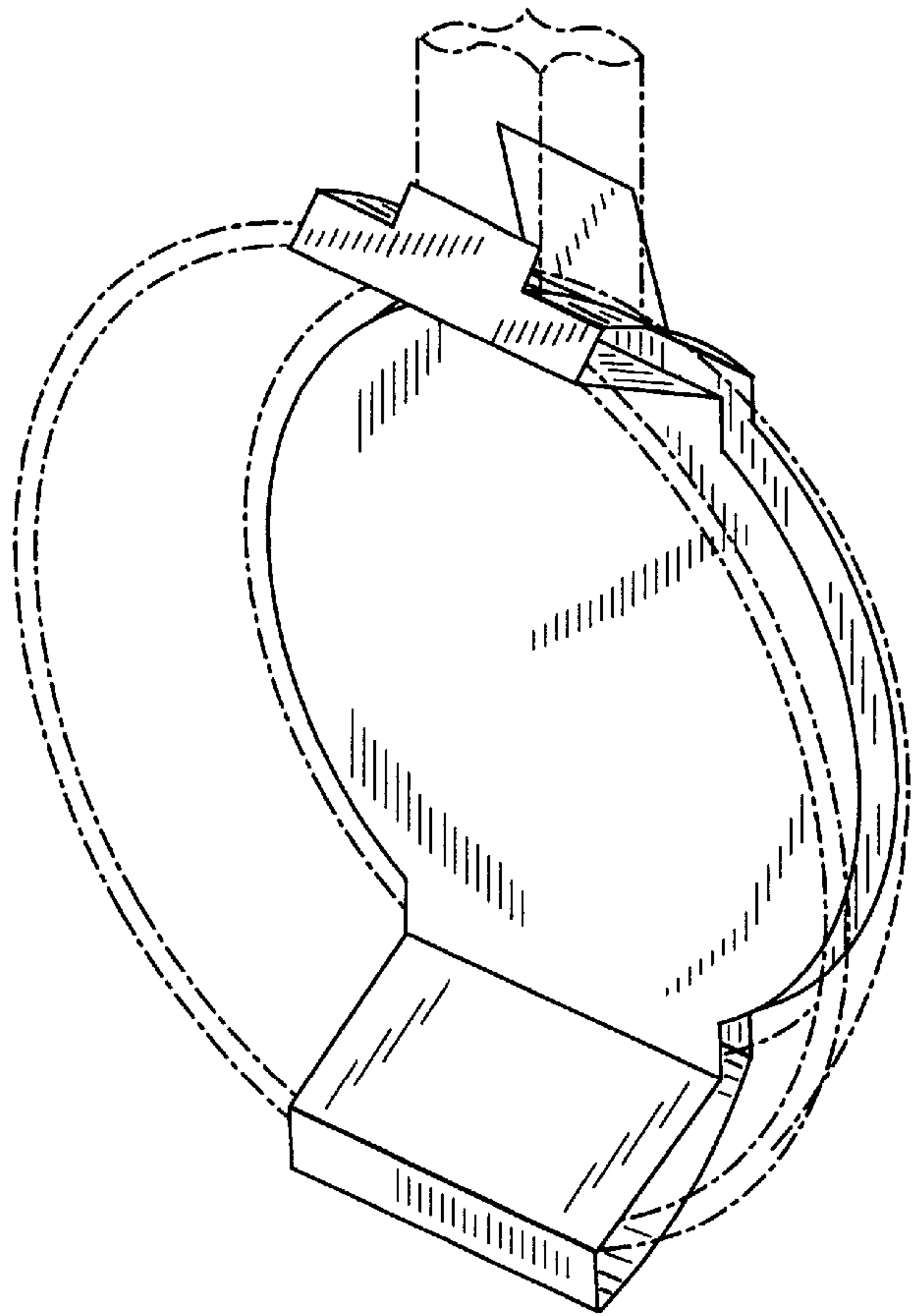
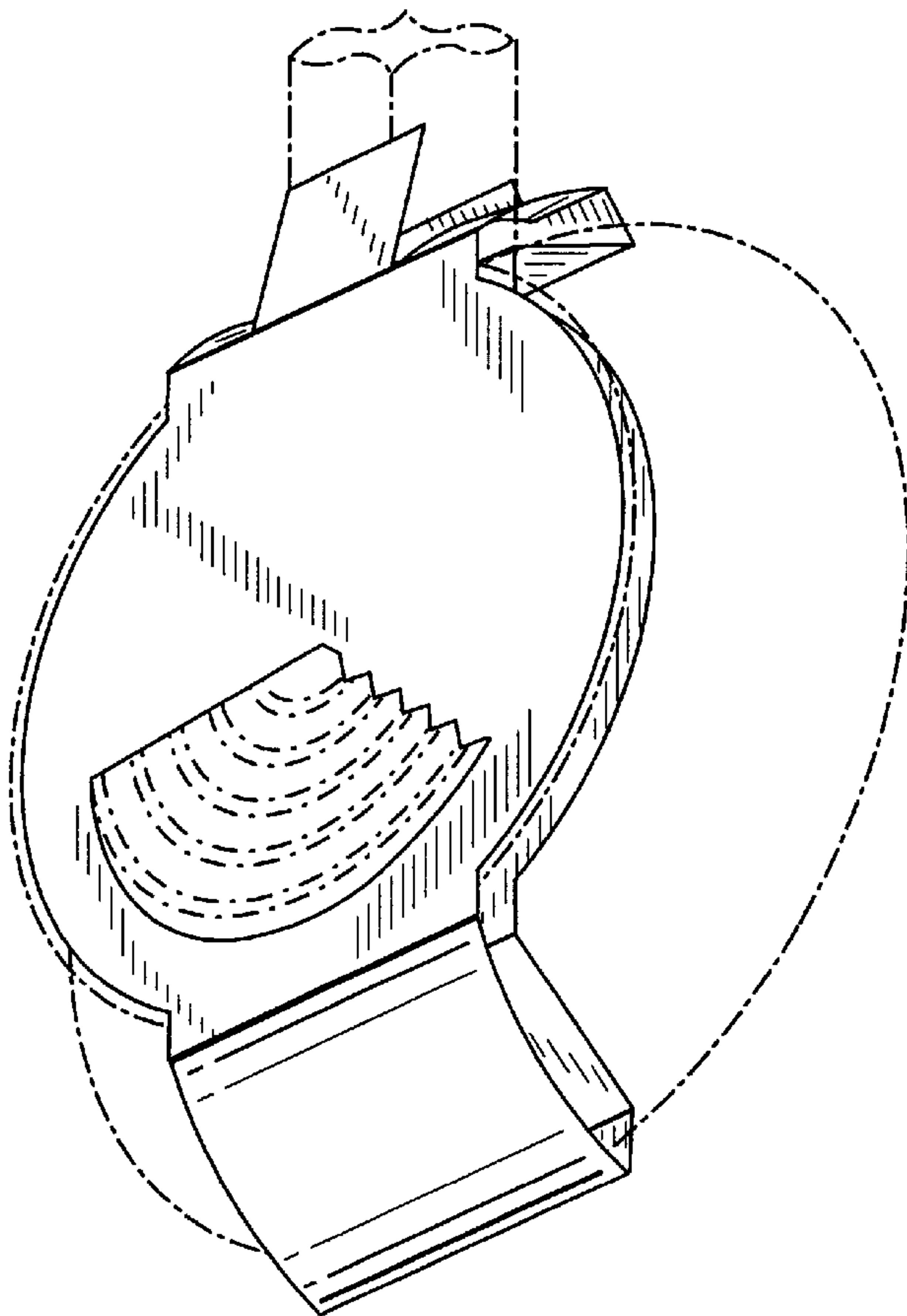


FIG. 2



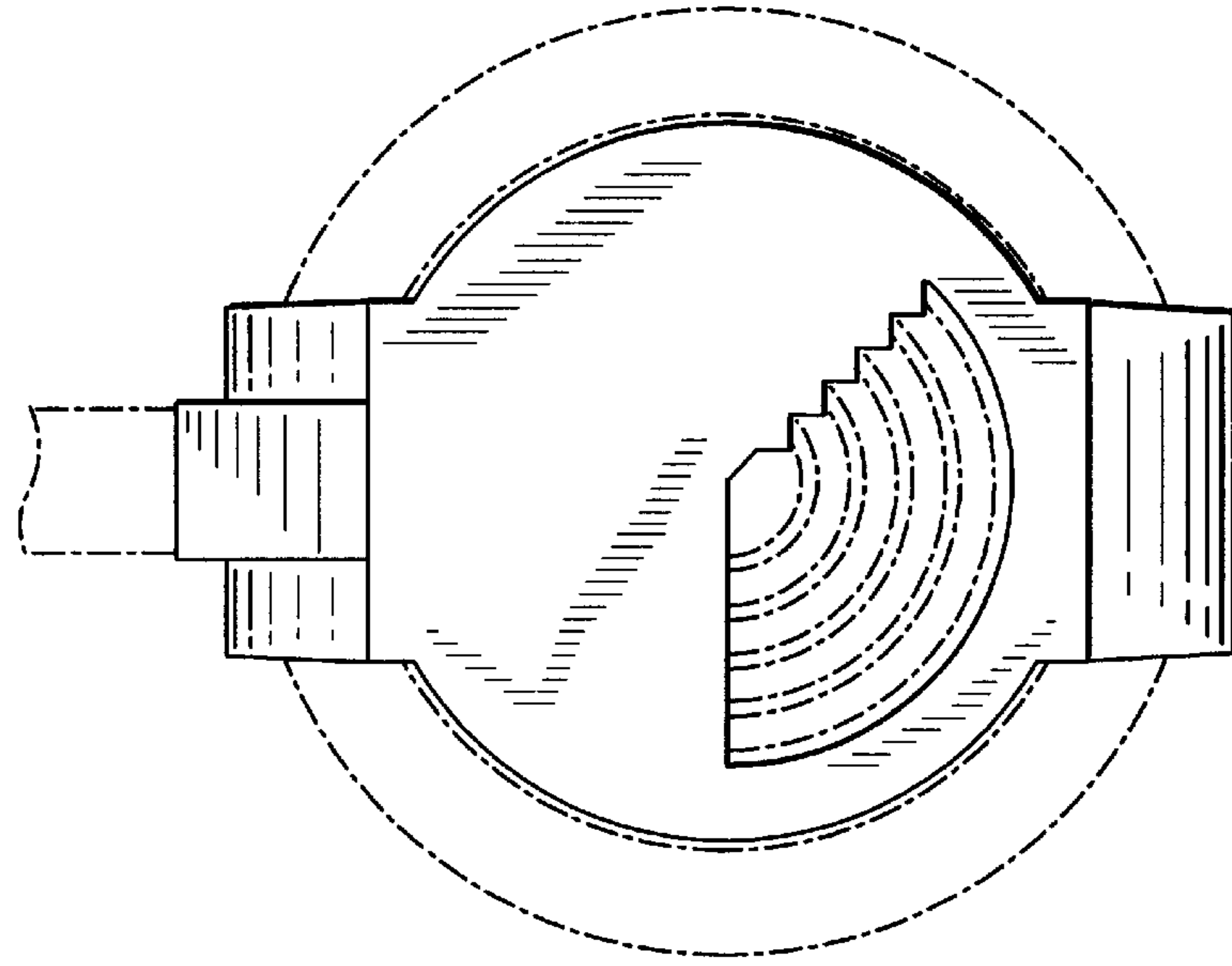


FIG. 4

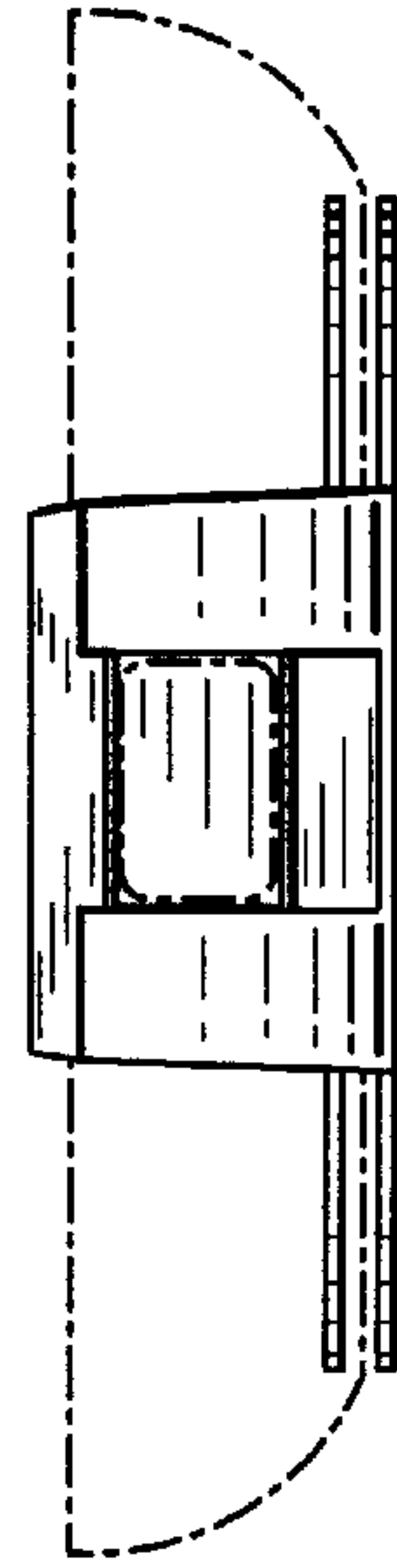


FIG. 6

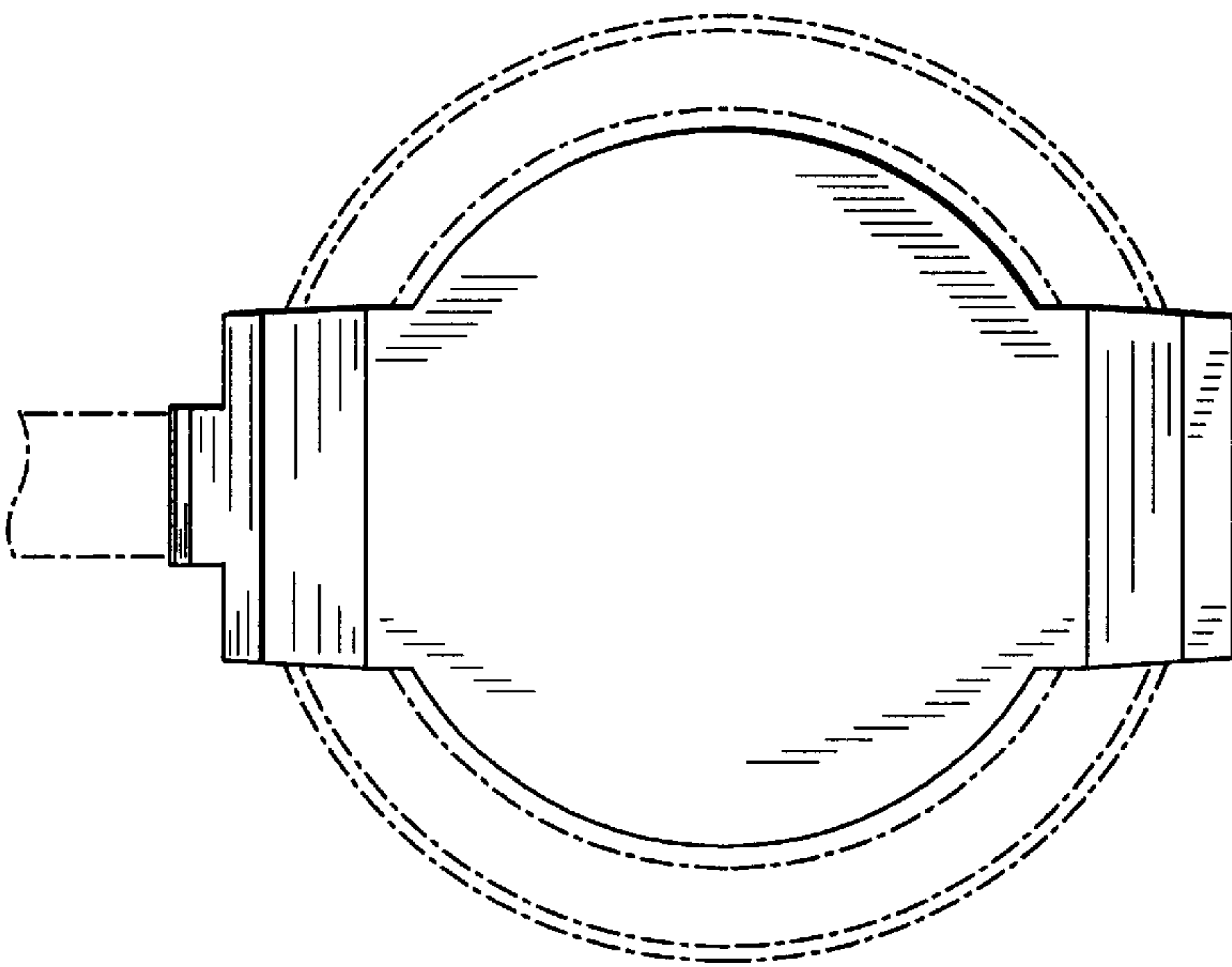


FIG. 3

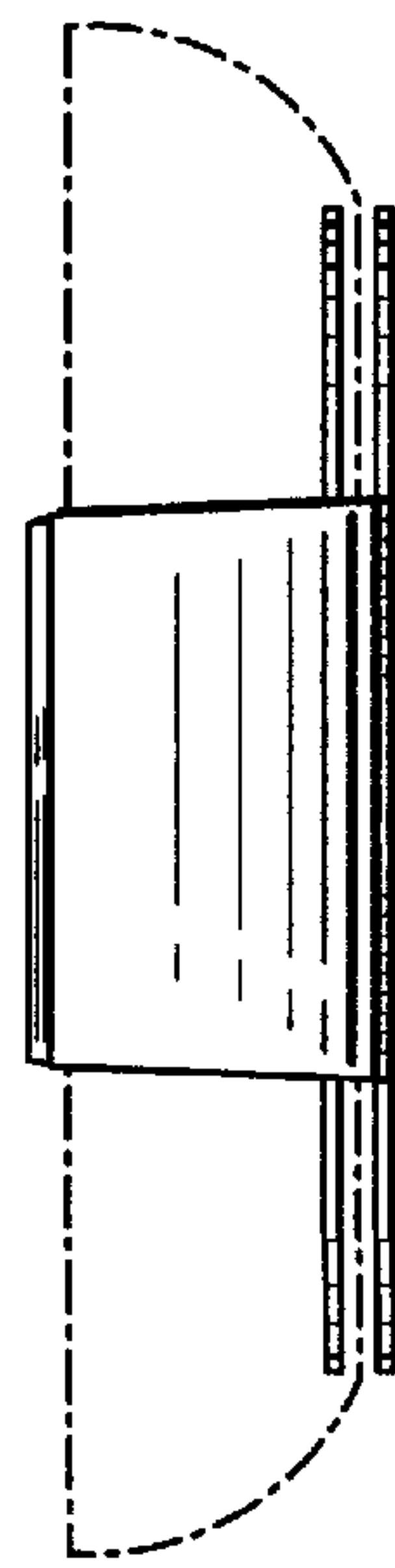


FIG. 5

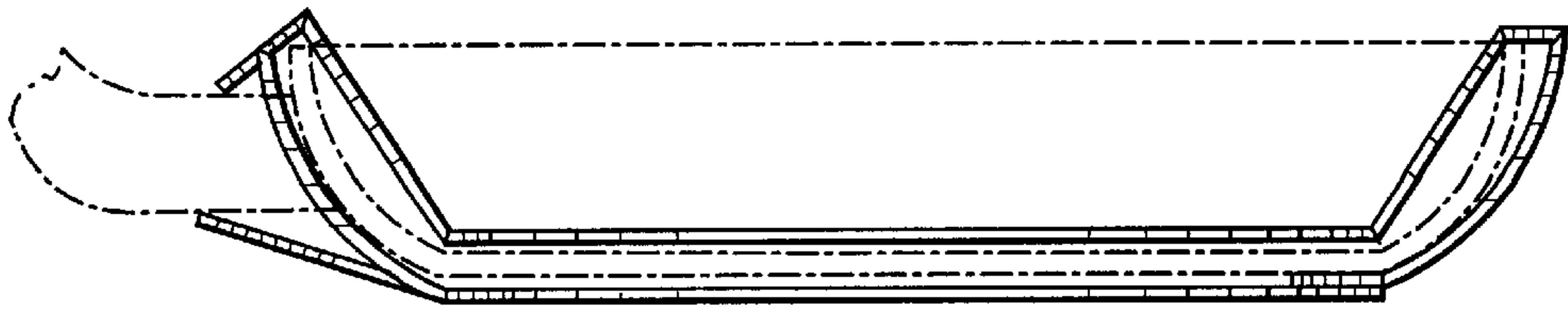


FIG. 7

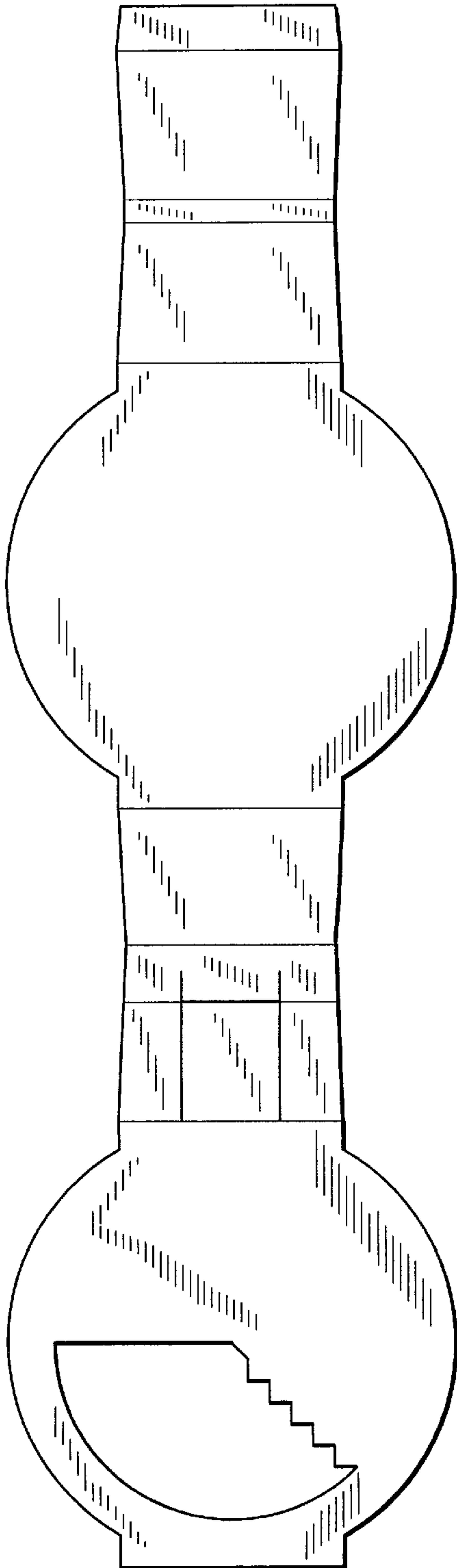


FIG. 8

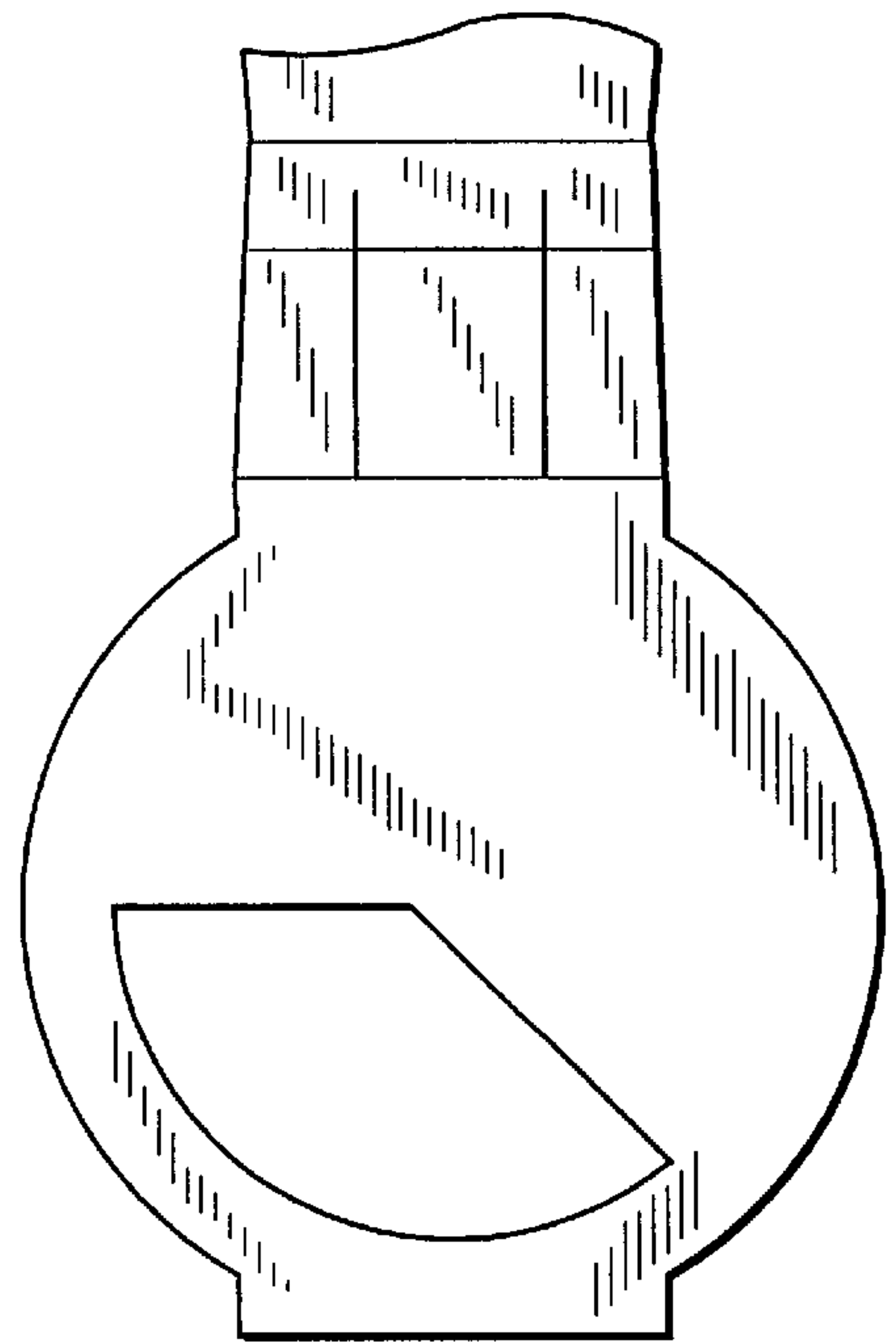


FIG. 9