



US00D412833S

United States Patent [19] Cassel

[11] Patent Number: **Des. 412,833**

[45] Date of Patent: **** Aug. 17, 1999**

[54] **HEX NUT HOLDING WASHER**

1,374,054 4/1921 Bridge .
3,050,097 8/1962 Cochran 411/107

[76] Inventor: **Donald Cassel**, 225 Monte Grigio Dr.,
Pacific Palisades, Calif. 90272

Primary Examiner—Holly Baynham
Attorney, Agent, or Firm—Oppenheimer Wolff & Donnelly
LLP

[**] Term: **14 Years**

[21] Appl. No.: **29/073,078**

[57] **CLAIM**

[22] Filed: **Jul. 2, 1997**

The ornamental hex nut holding washer, as shown and described.

[51] **LOC (6) Cl.** **08-08**

[52] **U.S. Cl.** **D8/399**

[58] **Field of Search** D8/399, 349, 354;
248/300; 411/107, 120, 155, 349, 362

DESCRIPTION

[56] **References Cited**

U.S. PATENT DOCUMENTS

D. 276,411	11/1984	Peroni	D8/399
D. 301,687	6/1989	Cassidy et al.	D8/399
753,588	3/1904	Kunkle .	
824,078	6/1906	Howell .	
1,026,138	5/1912	Woodson .	

FIG. 1 is a front top right perspective view of my hex nut holding washer;

FIG. 2 is a top plan view thereof;

FIG. 3 is a bottom plan view thereof;

FIG. 4 is a rear elevational view thereof;

FIG. 5 is a front elevational view thereof; and,

FIG. 6 is a right side elevational view thereof, the left side being a mirror image thereof.

1 Claim, 3 Drawing Sheets

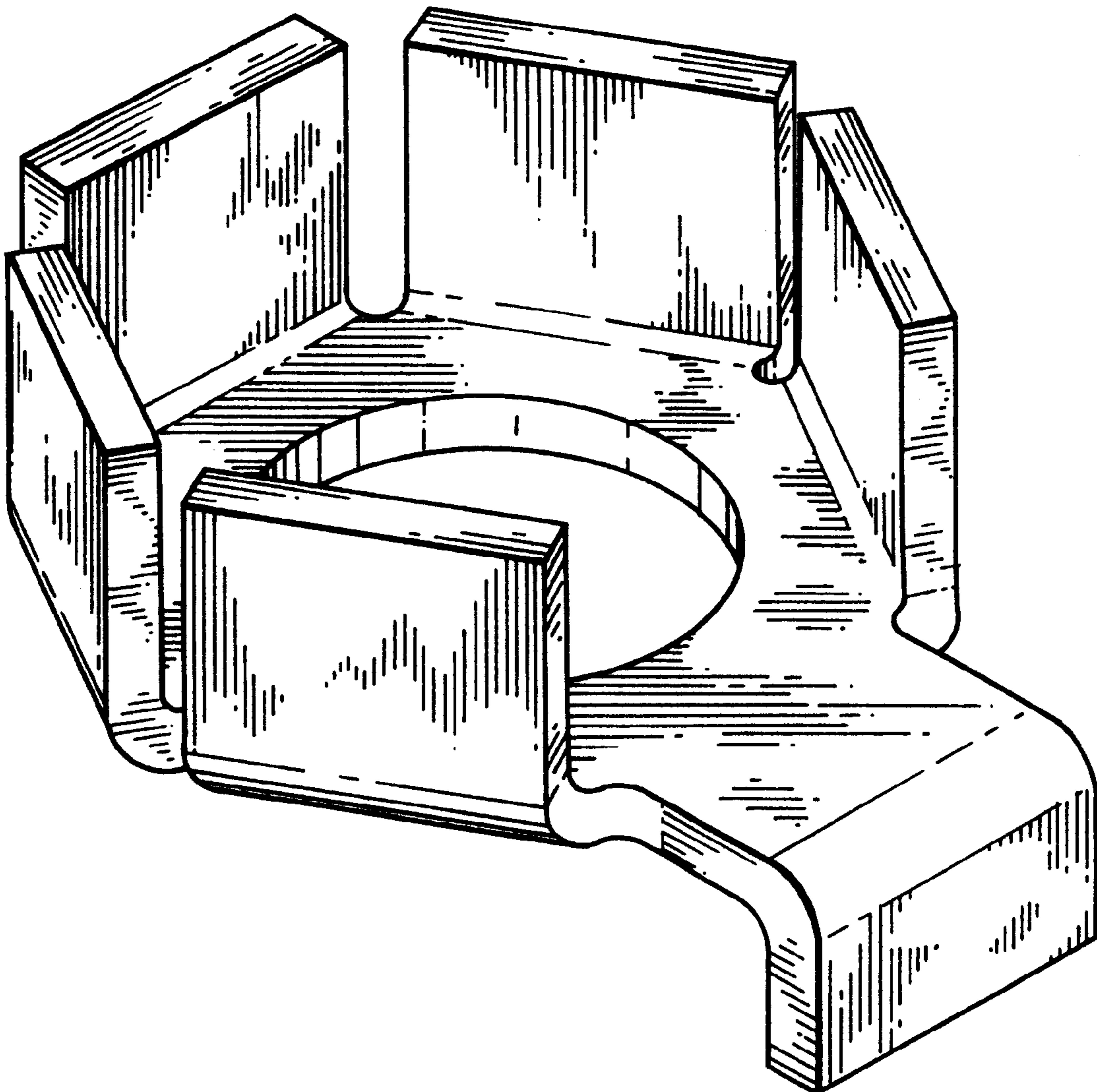


FIG. 1

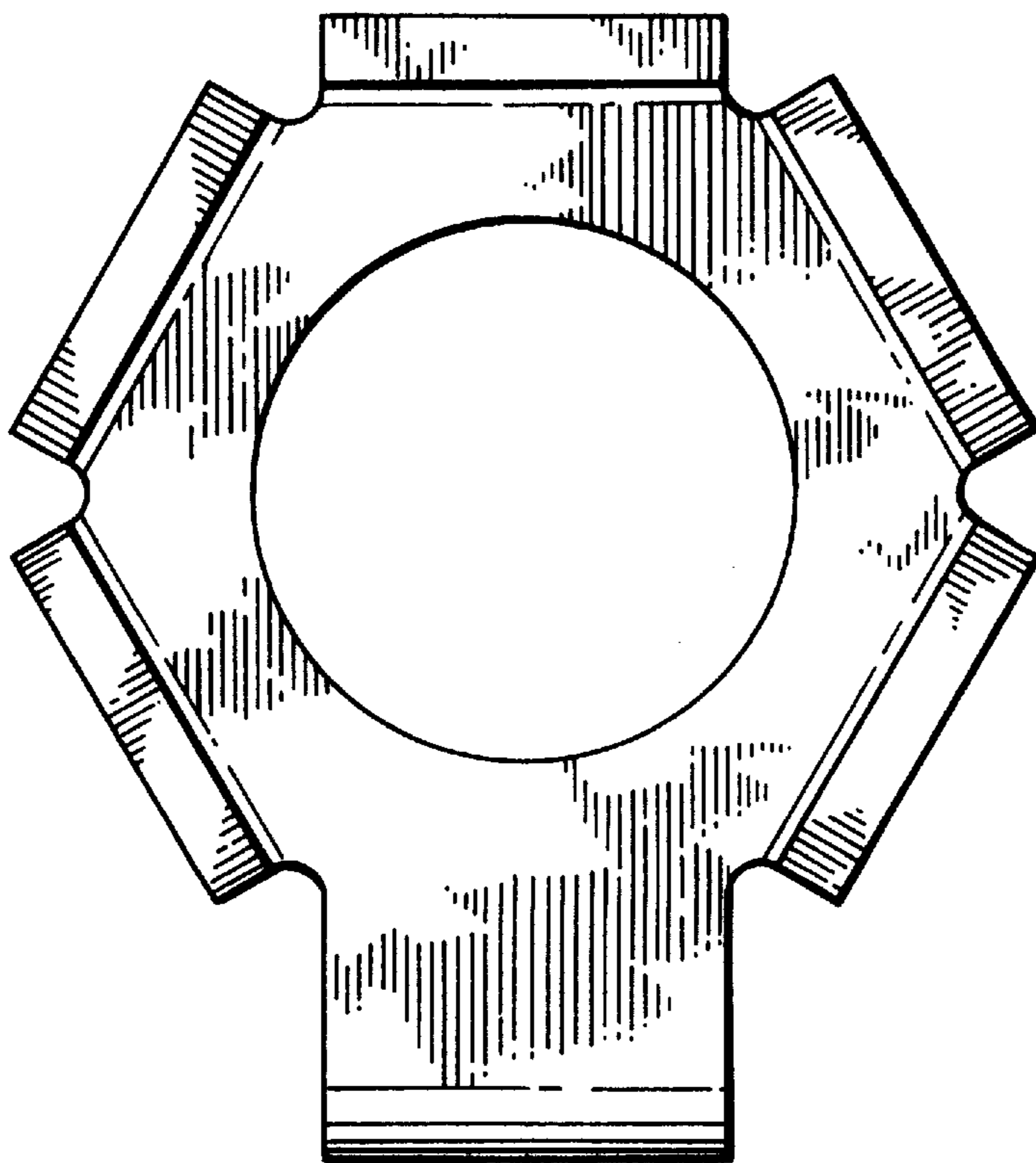
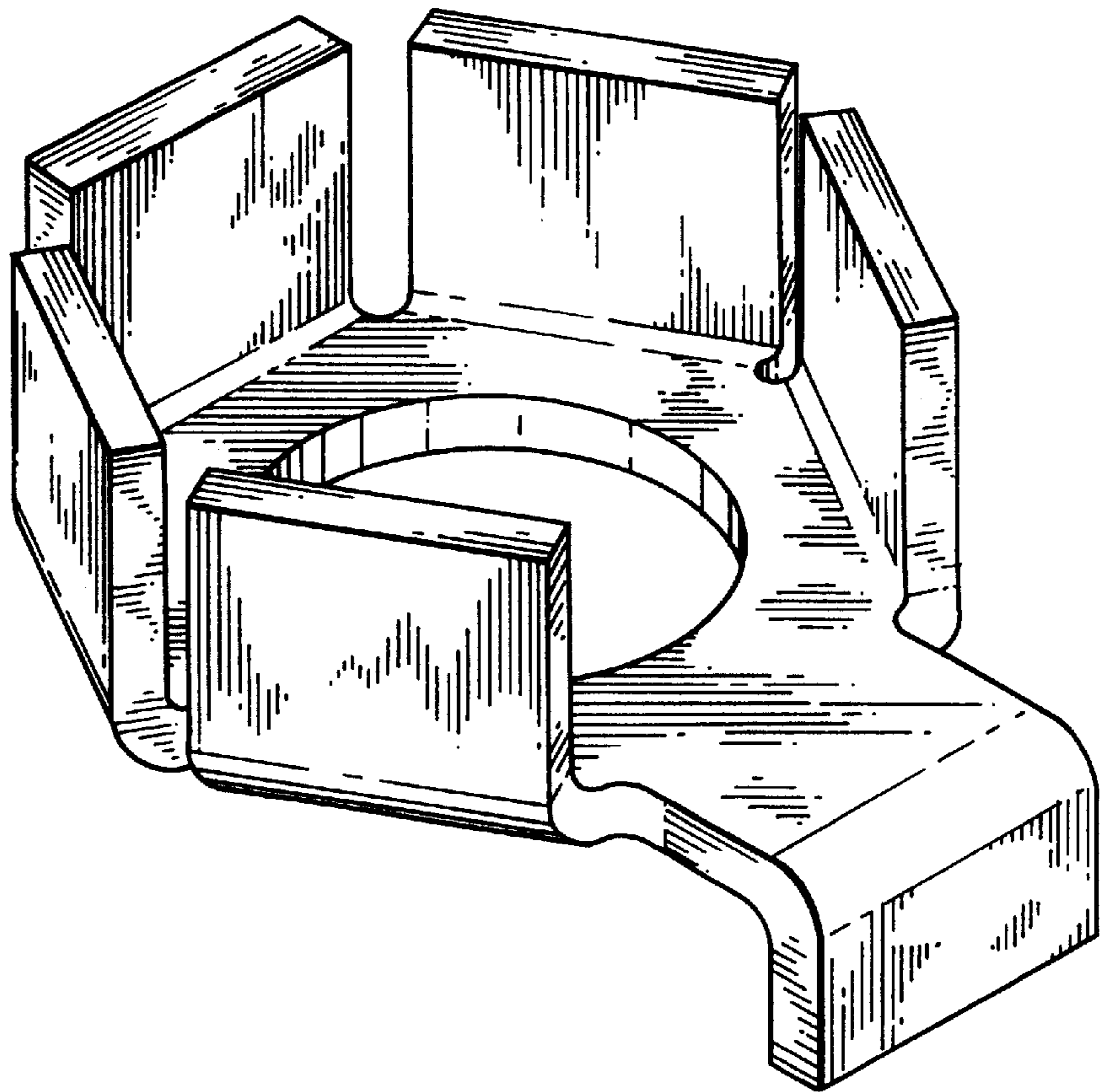


FIG. 2

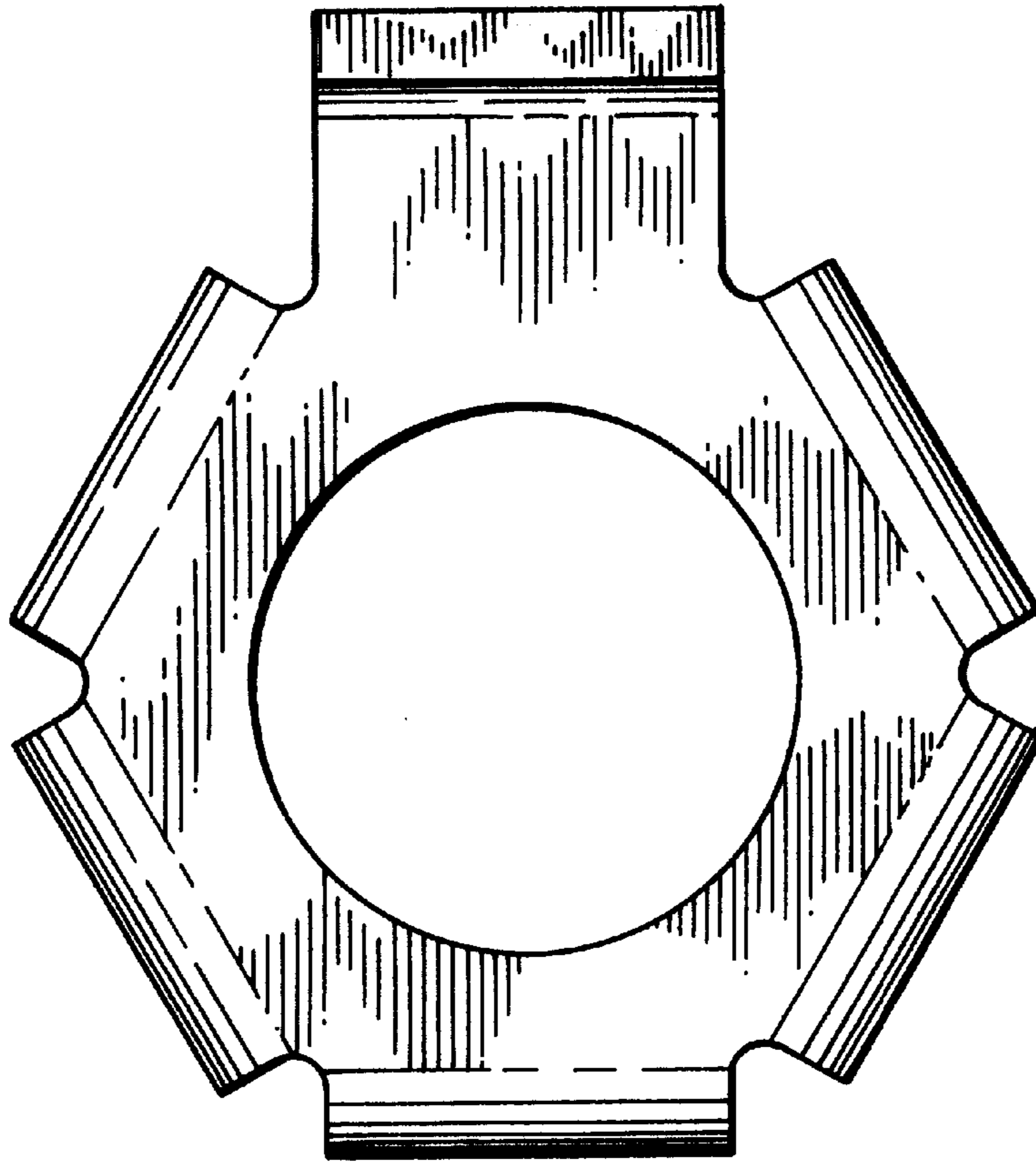


FIG. 3

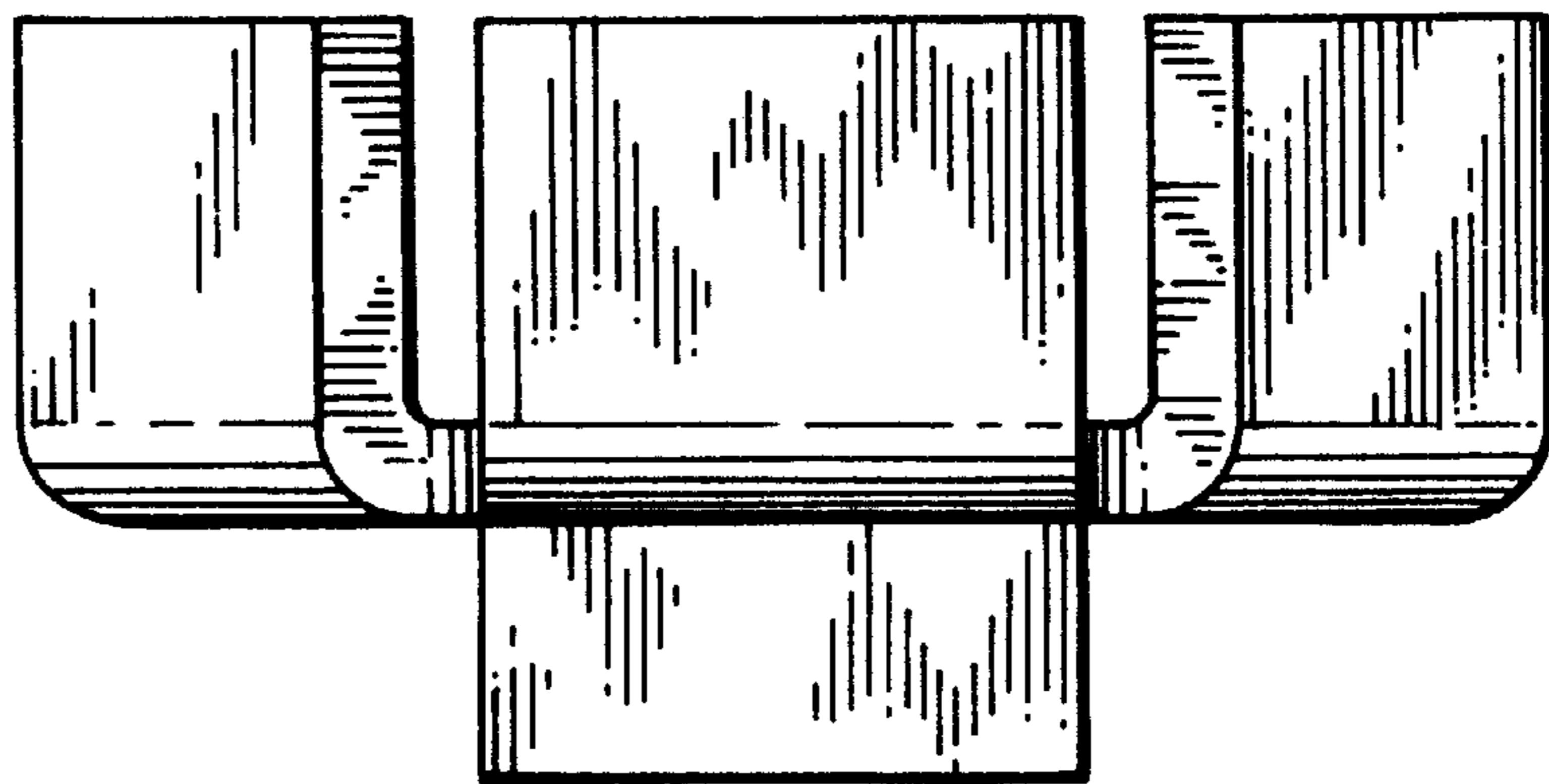


FIG. 4

FIG. 5

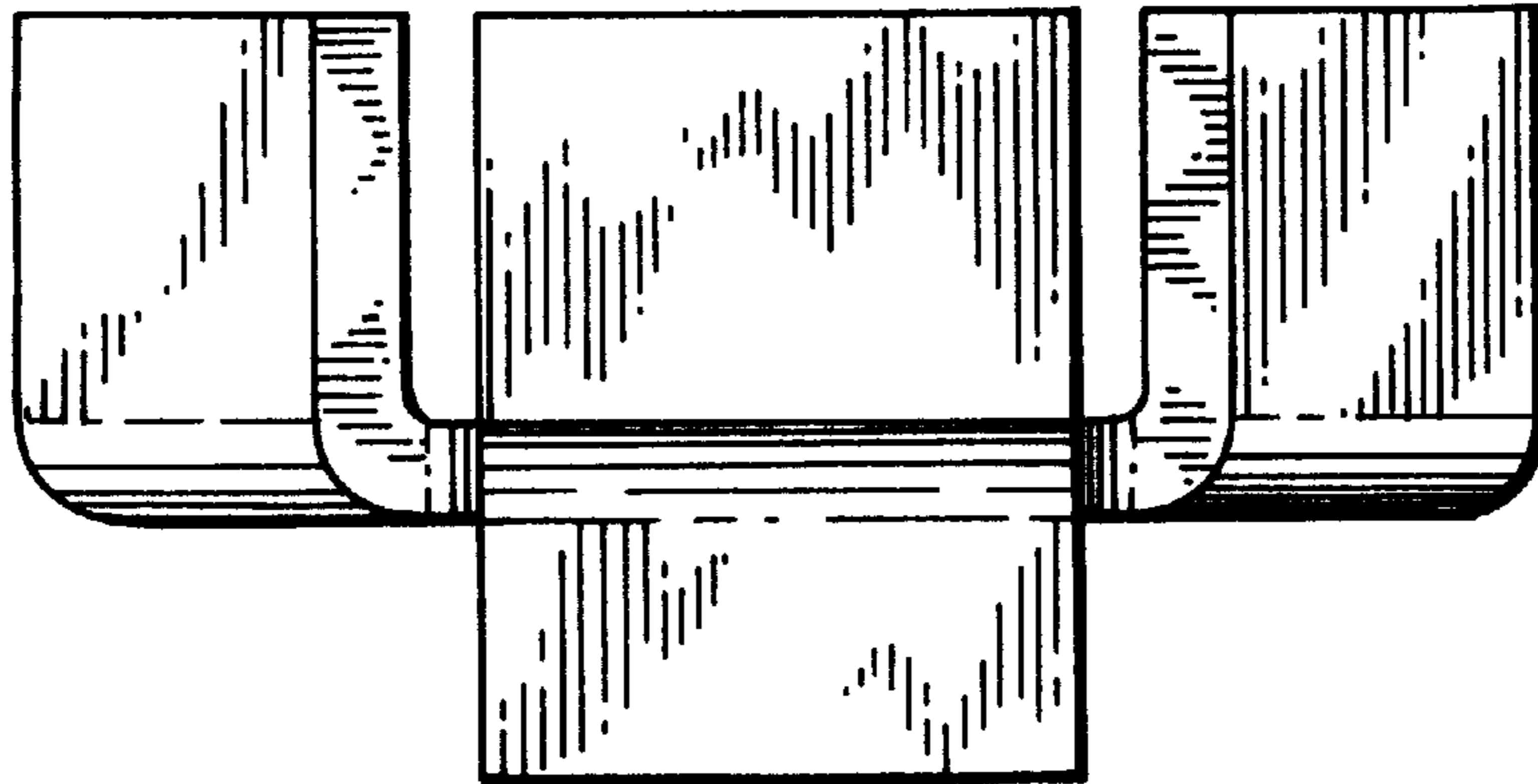


FIG. 6

