



US00D412831S

United States Patent [19]
Murakami

[11] **Patent Number: Des. 412,831**

[45] **Date of Patent: ** Aug. 17, 1999**

[54] **JOINT**

[75] Inventor: **Takeyasu Murakami**, Shizuoka, Japan

[73] Assignee: **Yazaki Industrial Chemical Co., Inc.**,
Shizuoka, Japan

[**] Term: **14 Years**

[21] Appl. No.: **29/096,923**

[22] Filed: **Nov. 23, 1998**

[51] **LOC (6) Cl.** **08-08**

[52] **U.S. Cl.** **D8/382**

[58] **Field of Search** D8/382; 403/169-170,
403/173-174, 205, 312, 177-178, 300,
305-306; 211/182, 68

[56] **References Cited**

U.S. PATENT DOCUMENTS

D. 375,451 11/1996 Ohkubo D8/382

D. 386,396 11/1997 Ookubo et al D8/382

Primary Examiner—Holly Baynham
Attorney, Agent, or Firm—Dellett and Walters

[57] **CLAIM**

The ornamental design for a joint, as shown and described.

DESCRIPTION

FIG. 1 is a front perspective view of a joint showing my new design;

FIG. 2 is a top plan view thereof;

FIG. 3 is a front elevational view thereof;

FIG. 4 is a rear elevational view thereof;

FIG. 5 is a bottom end view thereof;

FIG. 6 is a right side elevational view thereof; and,

FIG. 7 is a sectional view along line 7-7 of FIG. 3 .

The left side elevation is a mirror image of the right side elevation shown in FIG. 6 .

1 Claim, 4 Drawing Sheets

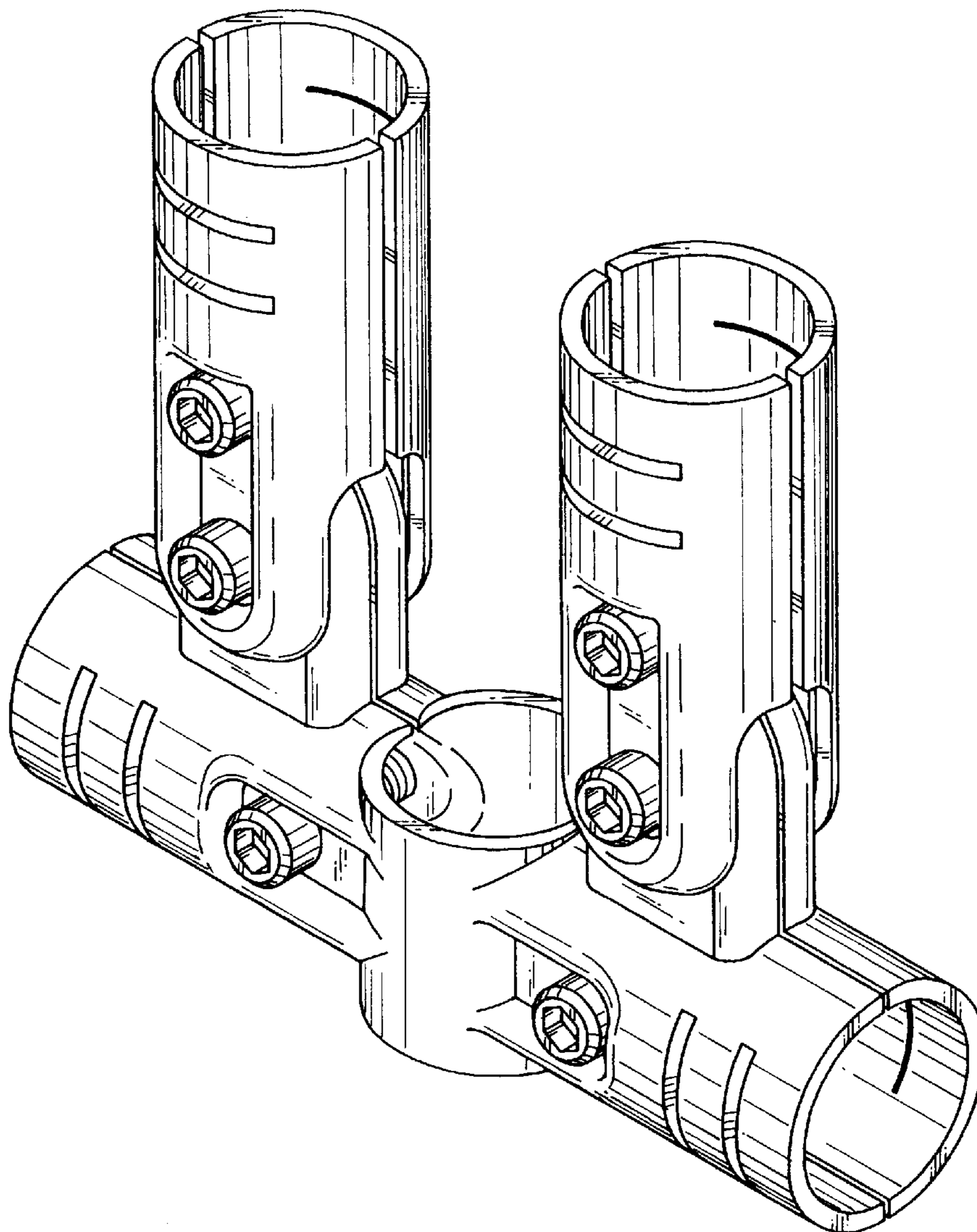


FIG. 1

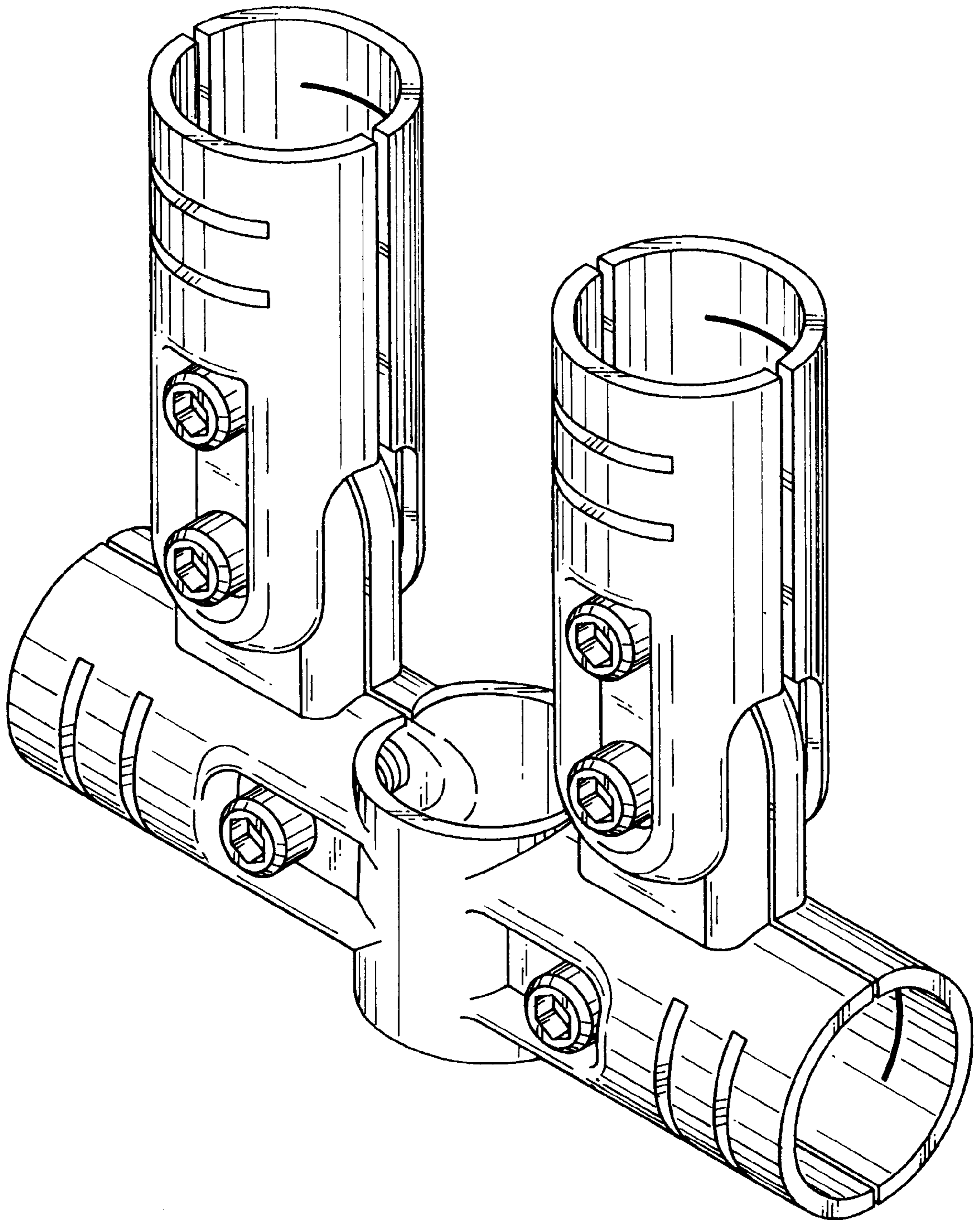


FIG. 2

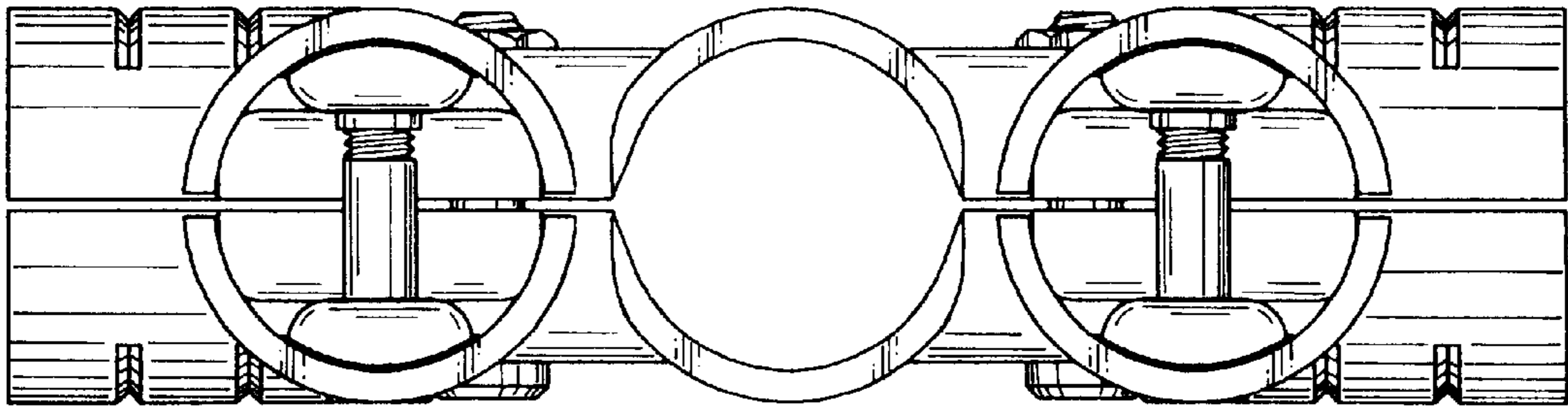


FIG. 3

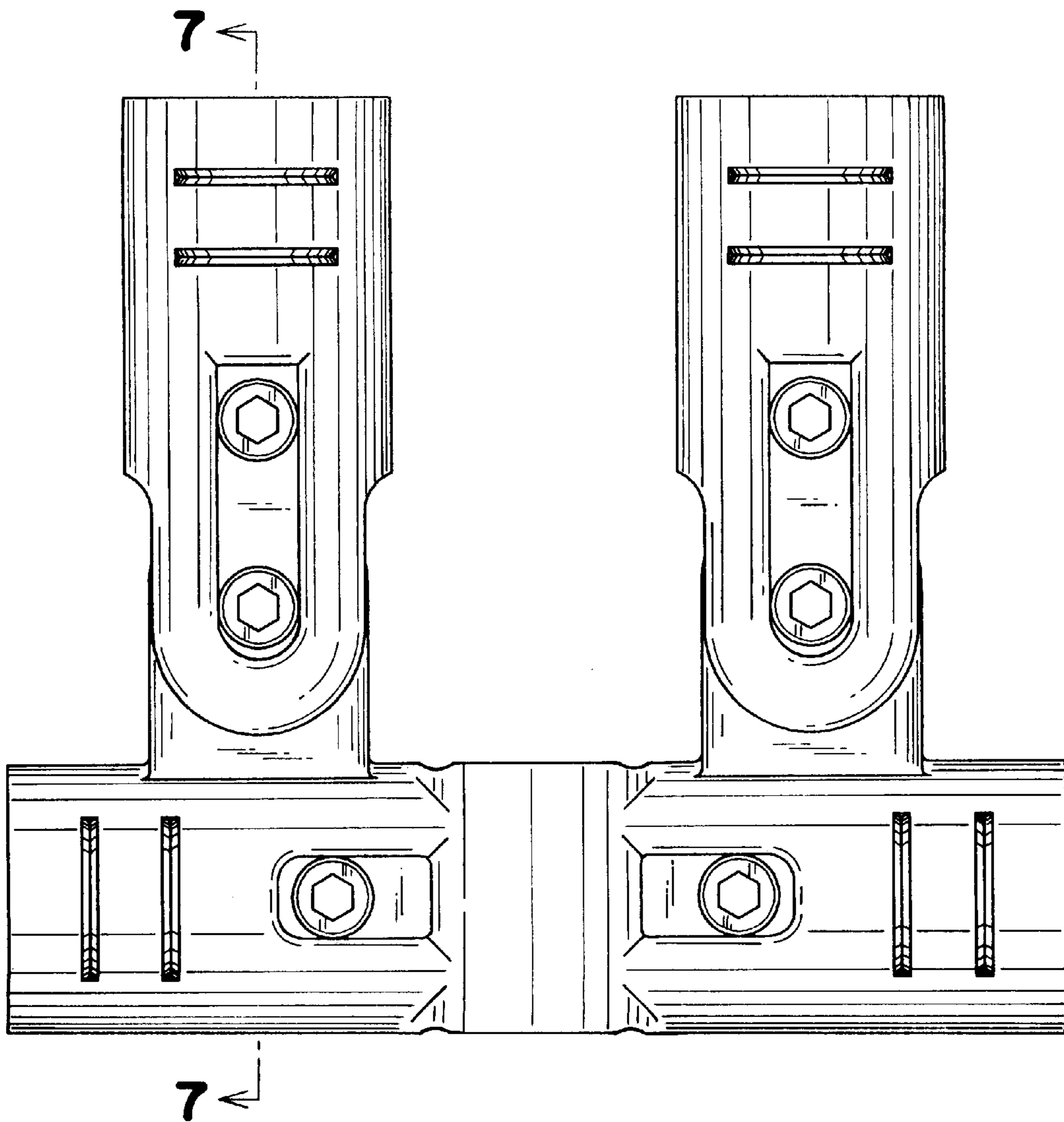


FIG. 4

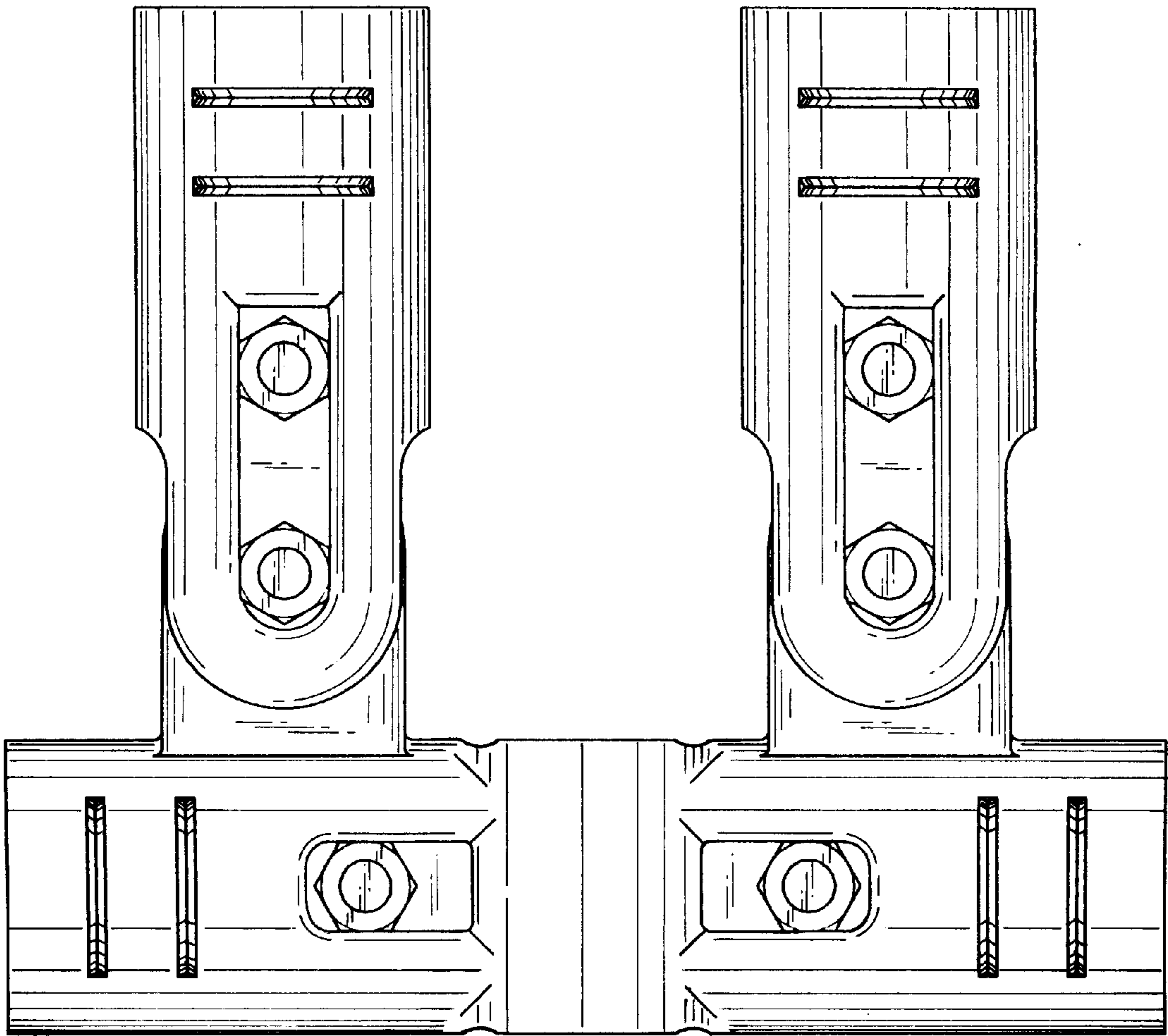


FIG. 5

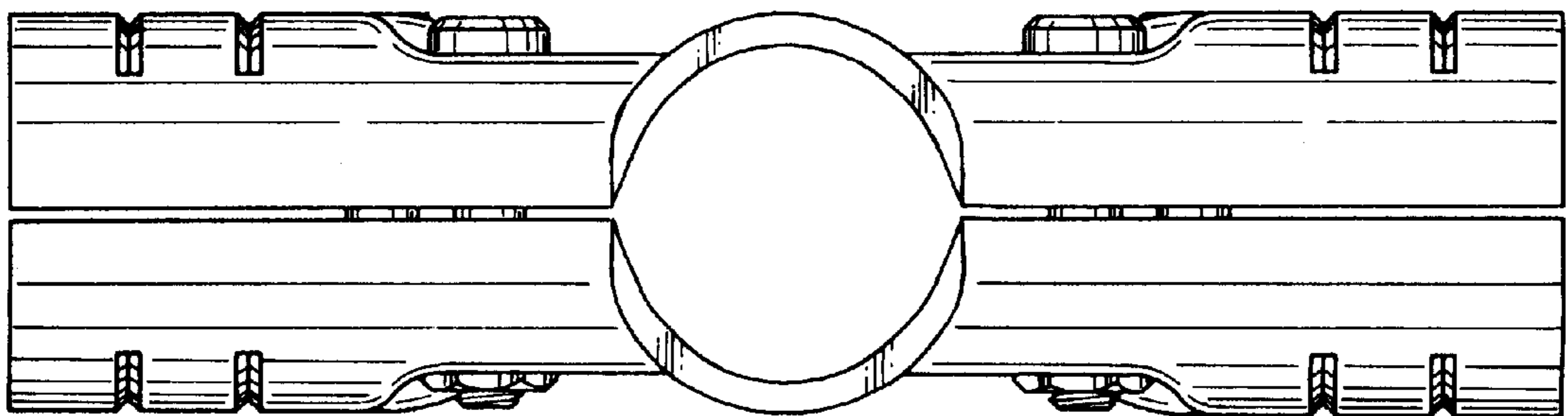


FIG. 6

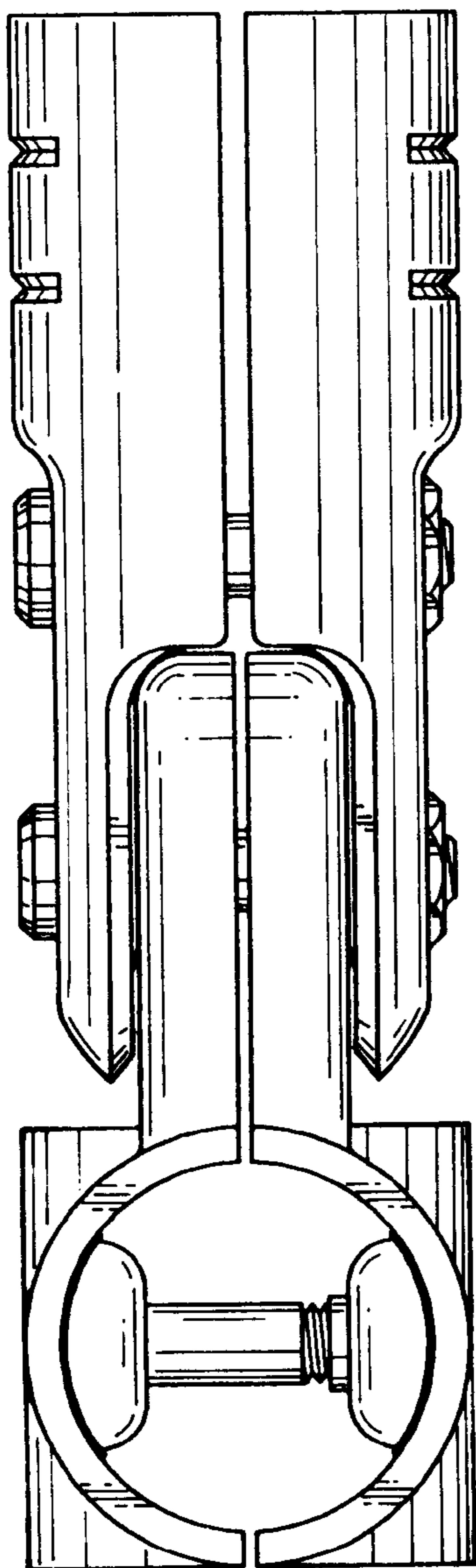


FIG. 7

