



US00D412828S

# United States Patent [19]

Herst et al.

[11] Patent Number: Des. 412,828

[45] Date of Patent: \*\* Aug. 17, 1999

## [54] LIGHTING FIXTURE CORNER CONNECTOR

[75] Inventors: Douglas J. Herst, Ross; Utkan Salman, Oakland, both of Calif.

[73] Assignee: Peerless Lighting Corporation, Berkeley, Calif.

[\*\*] Term: 14 Years

[21] Appl. No.: 29/082,154

[22] Filed: Jan. 15, 1998

[51] LOC (6) Cl. .... 26-99

[52] U.S. Cl. .... D8/382; D8/382

[58] Field of Search ..... D6/72, 75, 76, D6/77, 78, 81, 87, 138, 140; 362/147, 404, 406, 217, 222, 223, 224, 225, 249, 252, 245, 246, 297; D8/382

### [56] References Cited

#### U.S. PATENT DOCUMENTS

D. 121,094	6/1940	Heath	.....	D26/75
D. 169,999	7/1953	Ainsworth	.....	D26/78
D. 311,967	11/1990	Herst et al.	.....	D26/85
2,195,154	3/1940	Scott	.....	362/225
4,712,165	12/1987	Cetrone	.....	362/147
4,924,366	5/1990	Shemitz et al.	.....	362/249
5,848,833	12/1998	Margulies	.....	362/147

#### OTHER PUBLICATIONS

Peerless Catalog, 9x3 Rounded Lightscreen Indirect, 1996 (1 page).  
Peerless Catalog, 6x3 Wall Wash, 1996 (2 pages).

Peerless computer rendition of proir art luminaire design.

Primary Examiner—Susan J. Lucas  
Attorney, Agent, or Firm—Donald L. Beeson

### [57] CLAIM

The ornamental design for a lighting fixture corner connector, as shown and described.

### DESCRIPTION

FIG. 1 is a top perspective view of a lighting fixture corner connector in accordance with our new design, showing lighting fixtures held thereby in broken lines;

FIG. 2 is a bottom perspective view thereof;

FIG. 3 is another top perspective view of a lighting fixture corner connector in according with our new design;

FIG. 4 is another bottom perspective view thereof;

FIG. 5 is a left side elevational view thereof, the right side being a mirror image;

FIG. 6 is a front elevational view thereof;

FIG. 7 is a rear elevational view thereof;

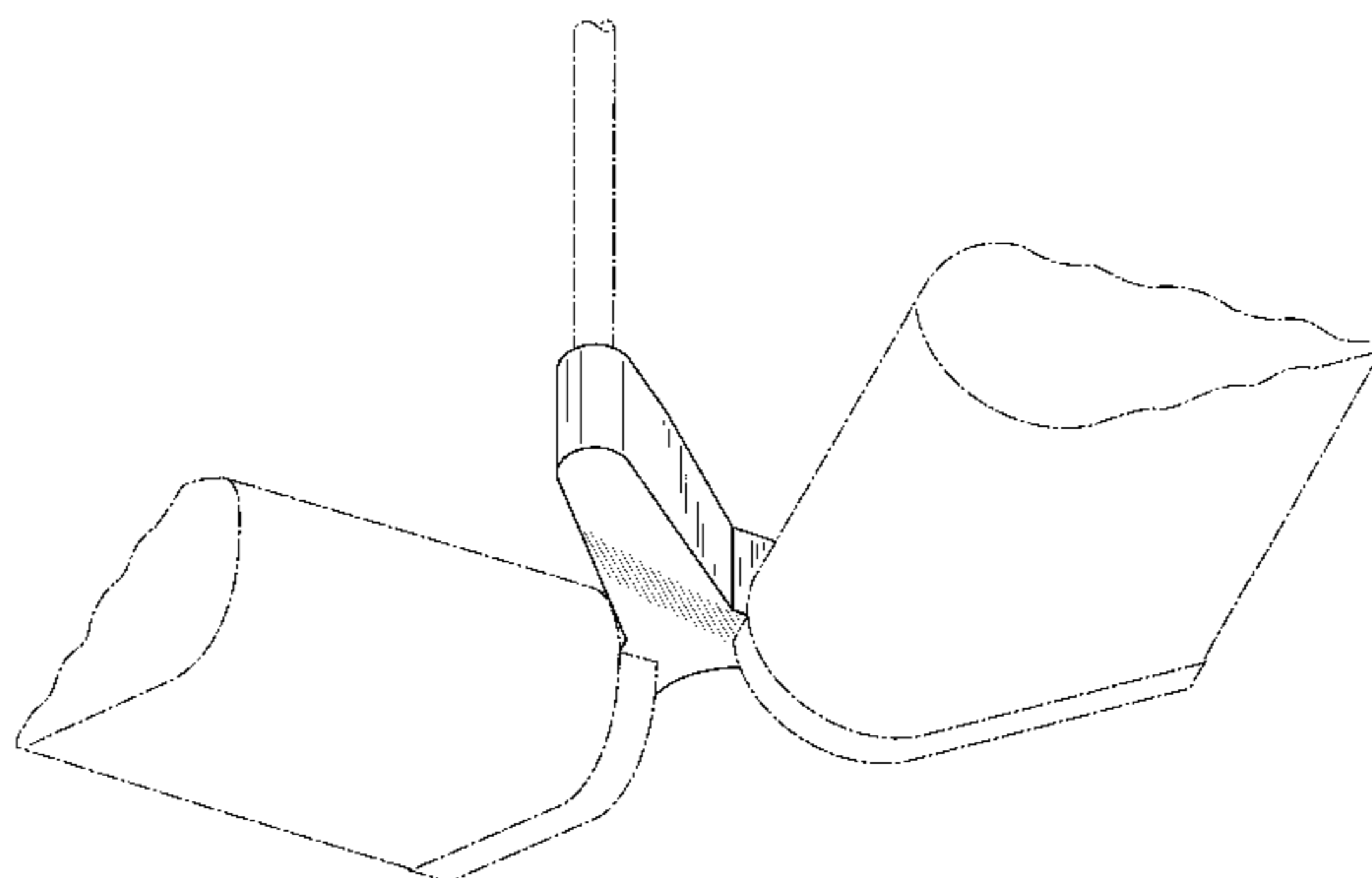
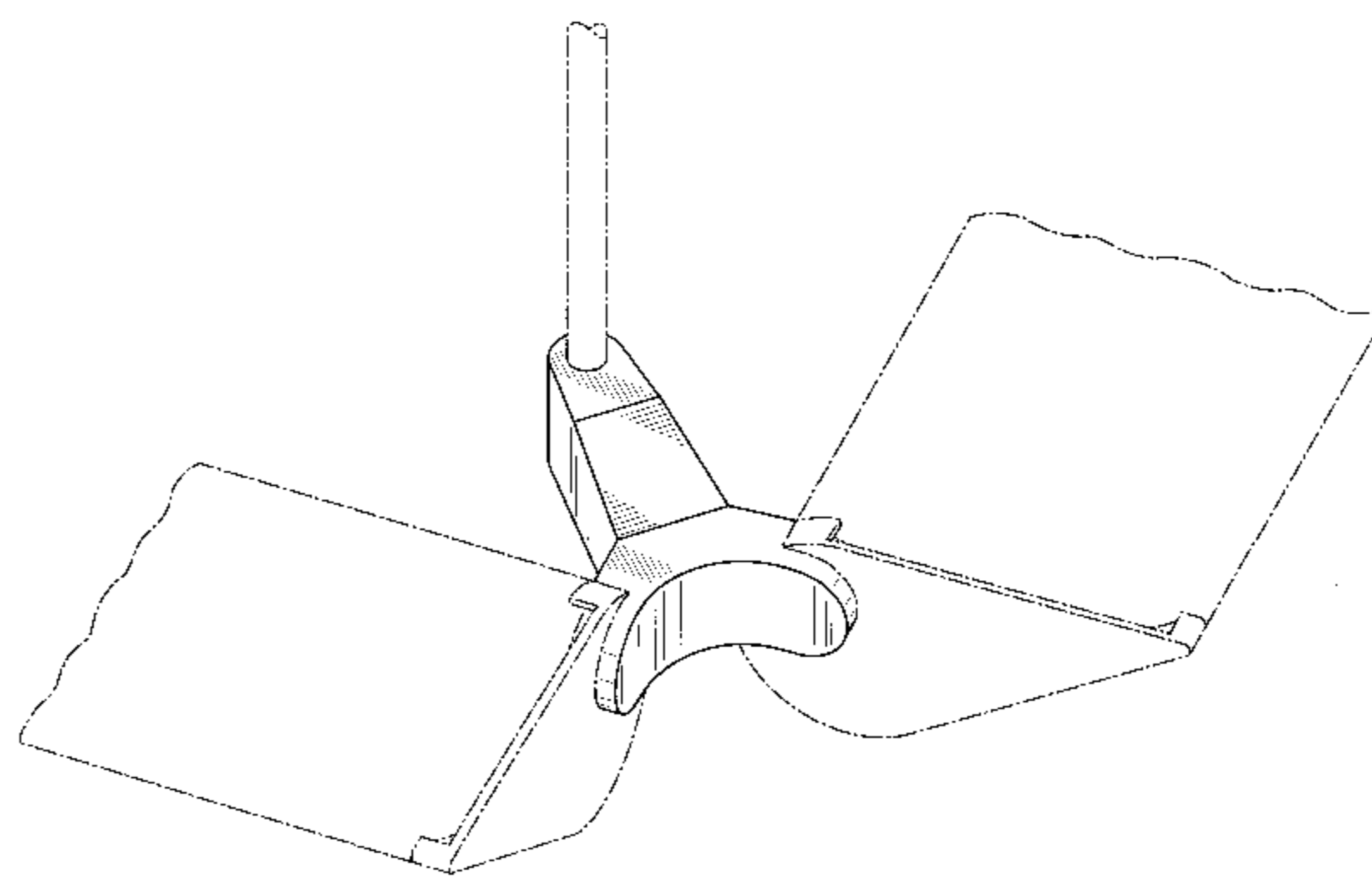
FIG. 8 is a top plan view thereof;

FIG. 9 is a bottom plan view thereof; and,

FIG. 10 is an elevational view thereof as seen from lines 10—10 in FIG. 8.

The broken lines are shown in FIGS. 1 and 2 for illustrative purposes only and indicate the nature and use of our new design.

1 Claim, 4 Drawing Sheets



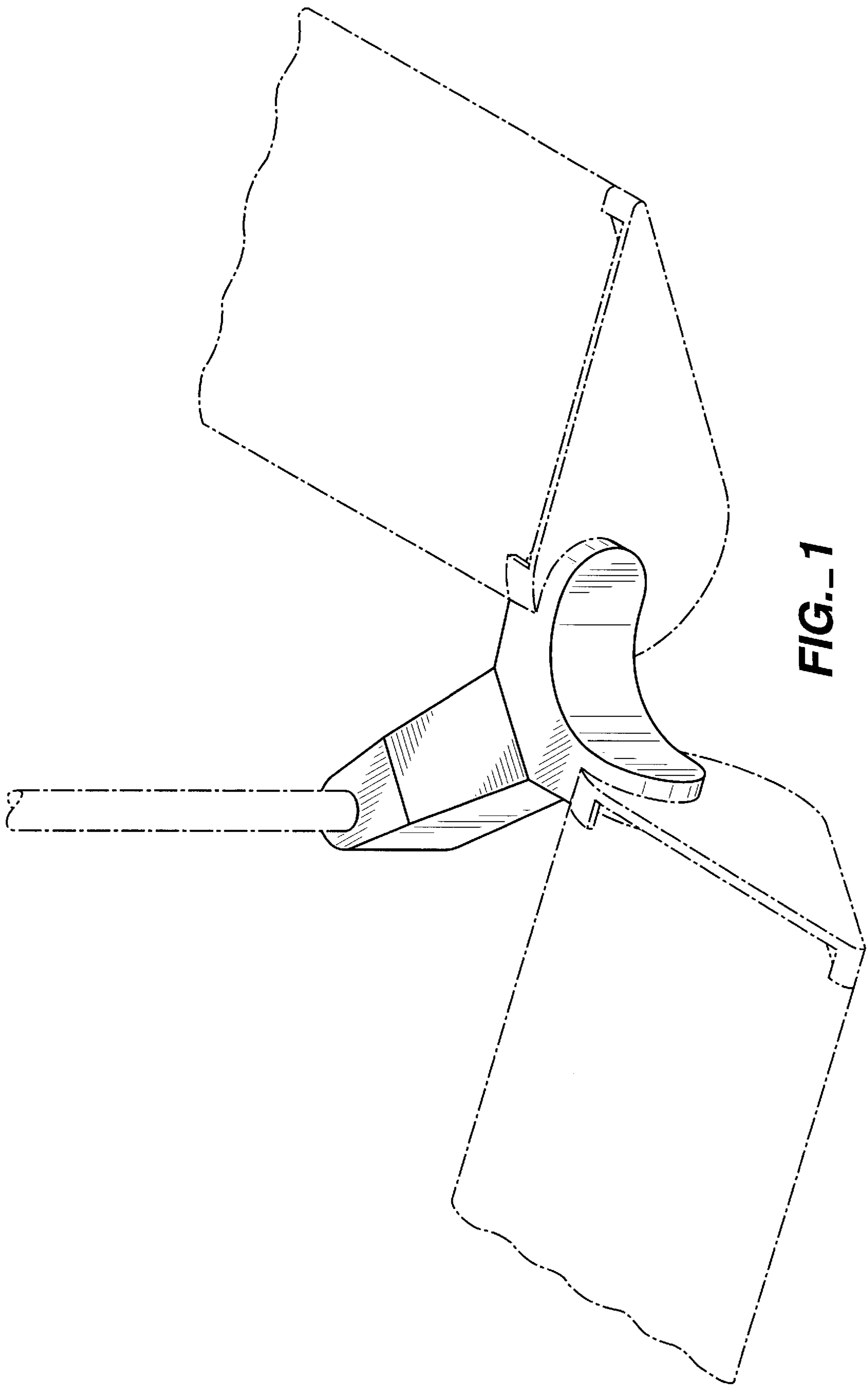
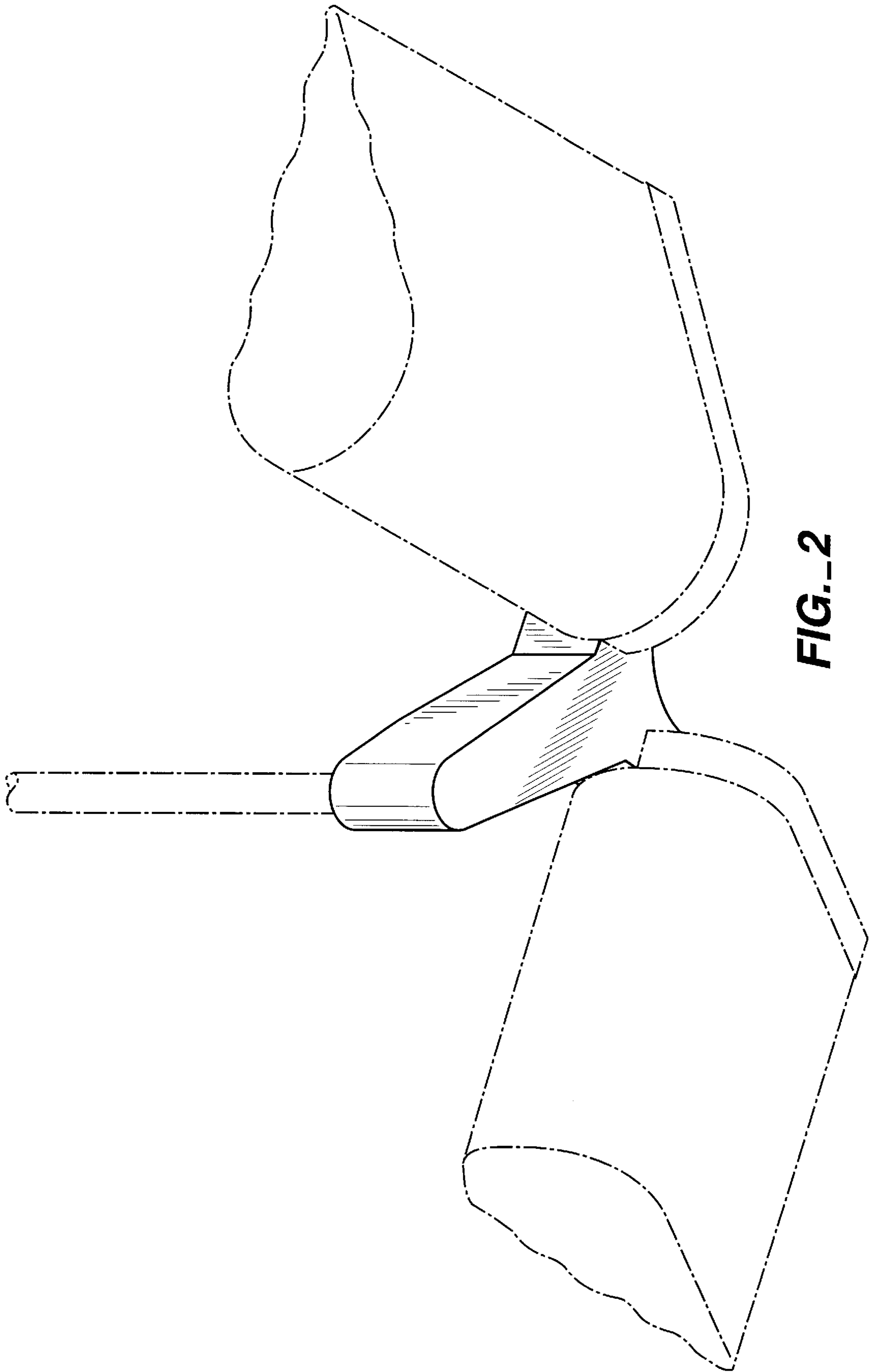
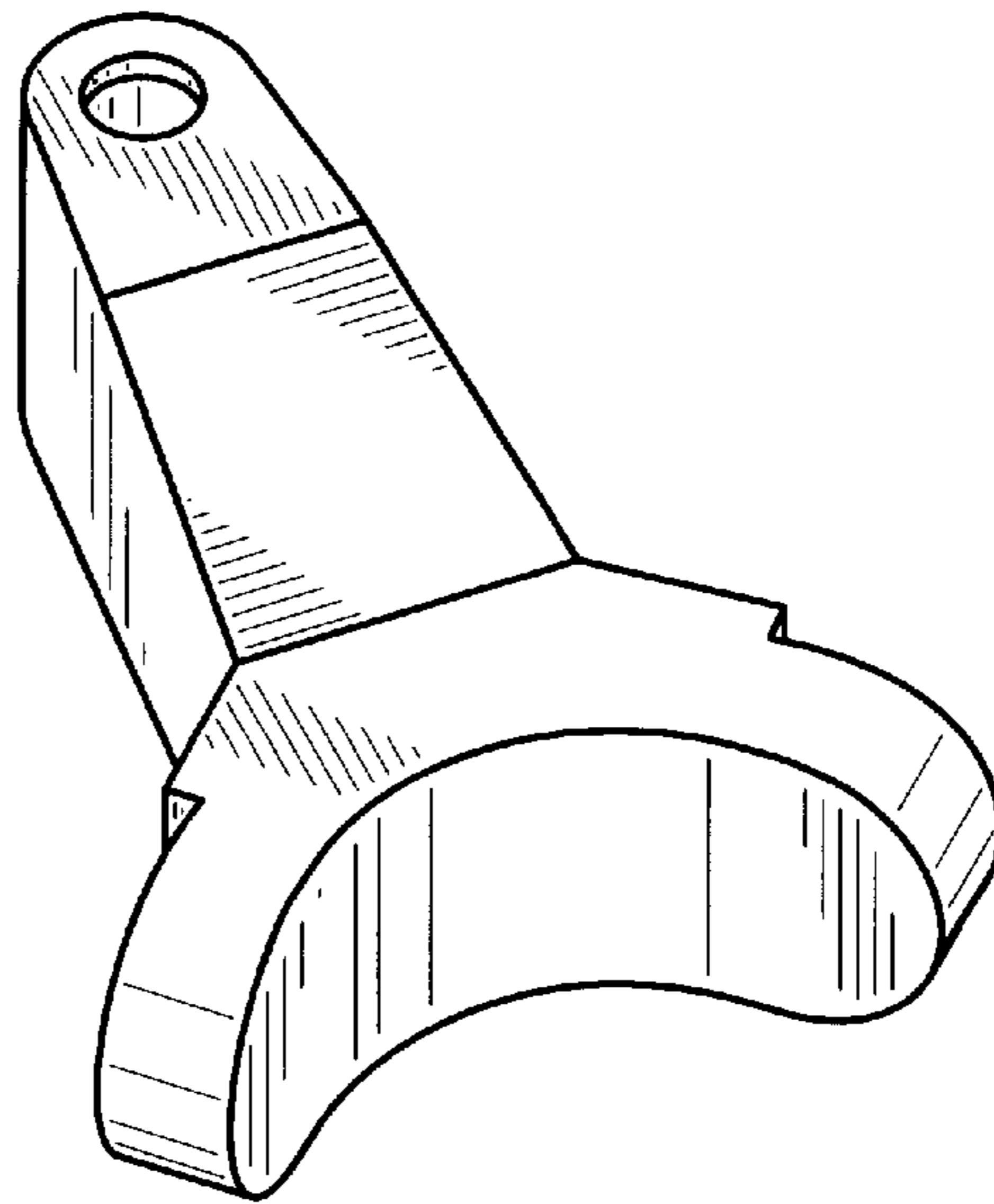


FIG. 1

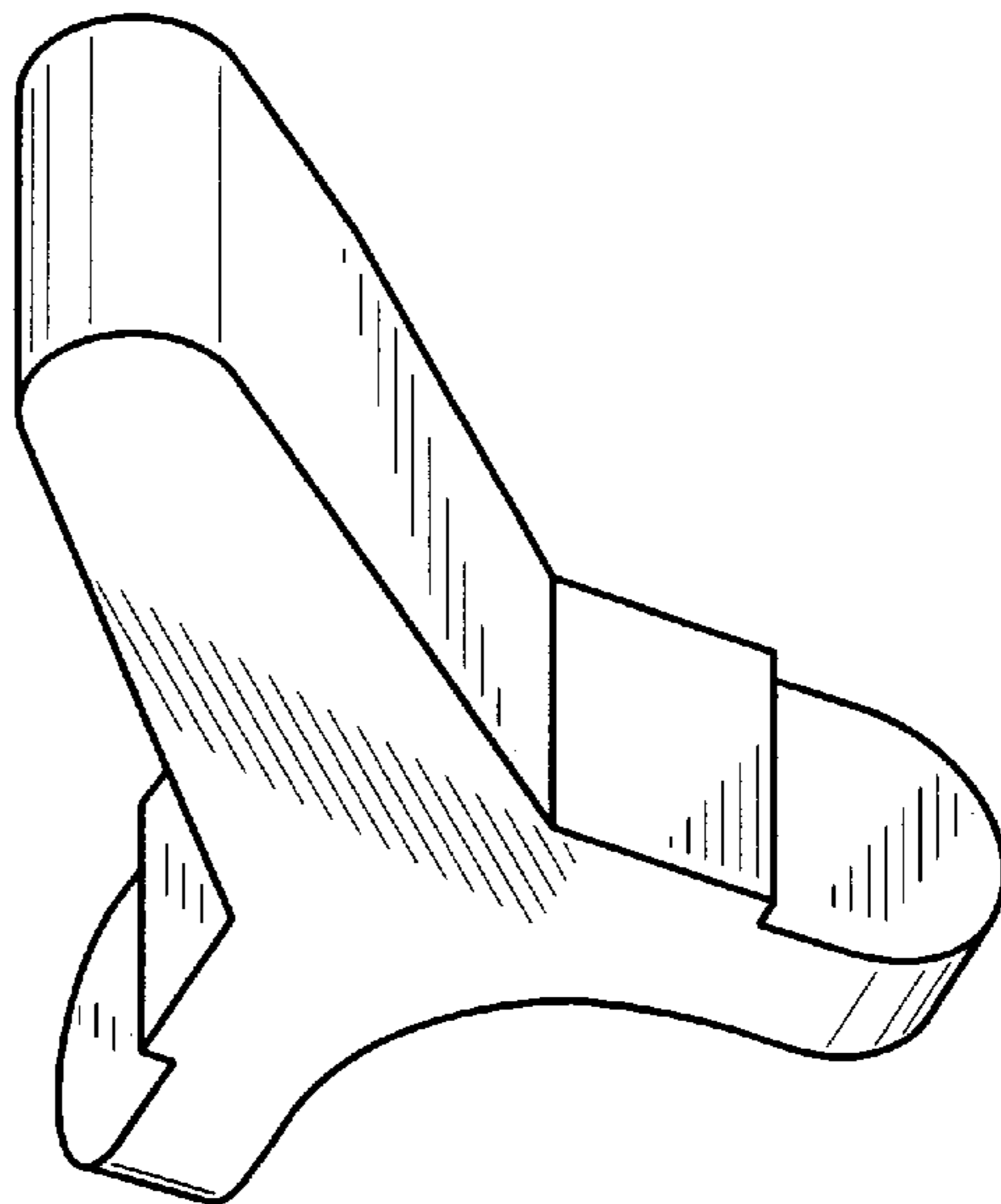


**FIG.-2**

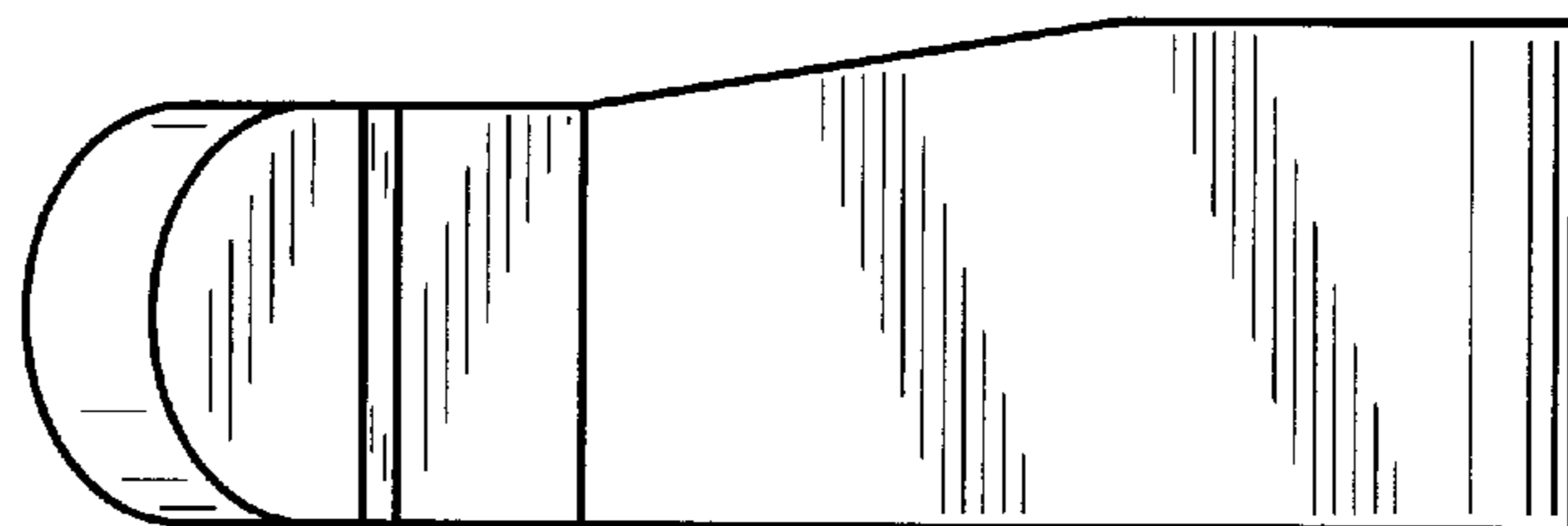
**FIG.\_3**

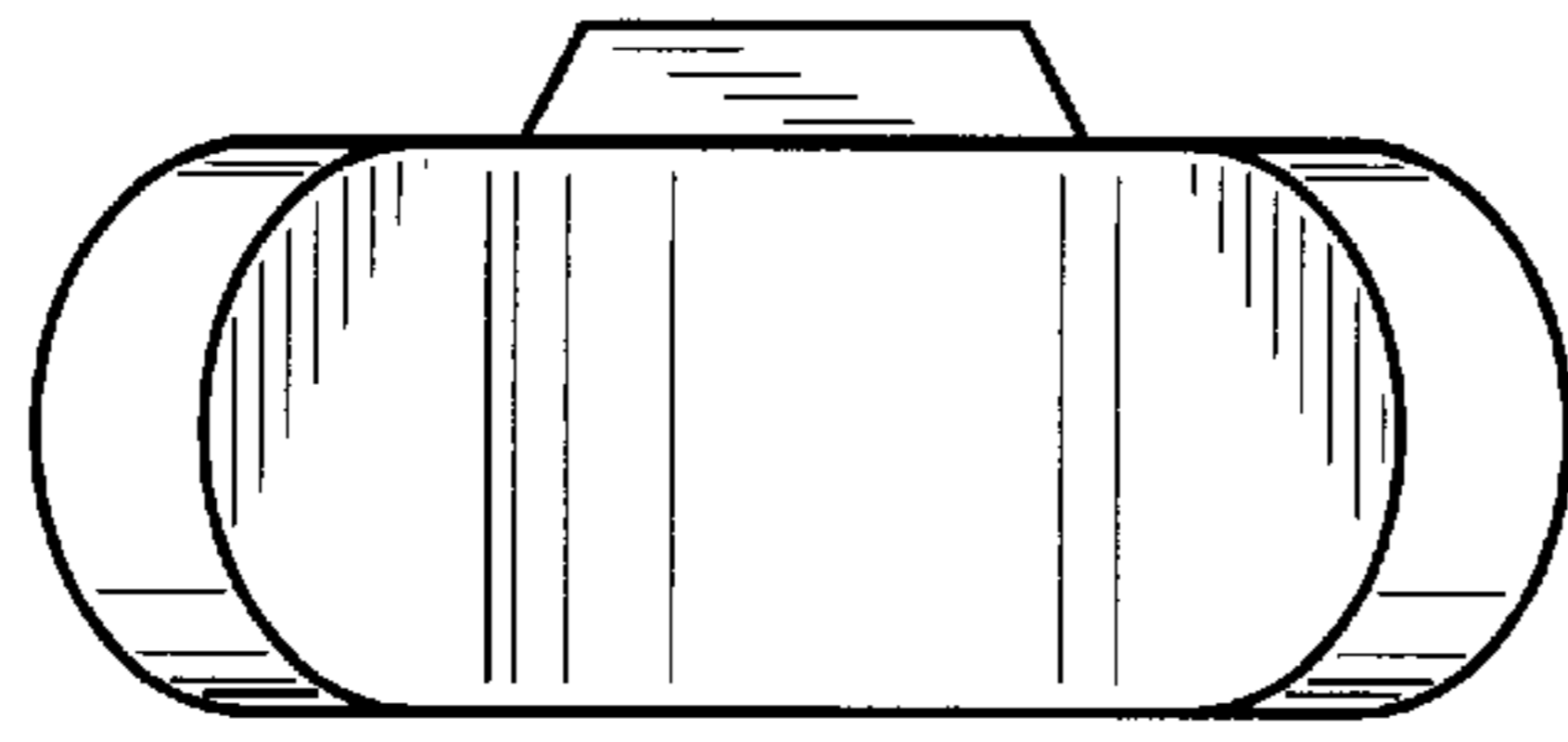


**FIG.\_4**

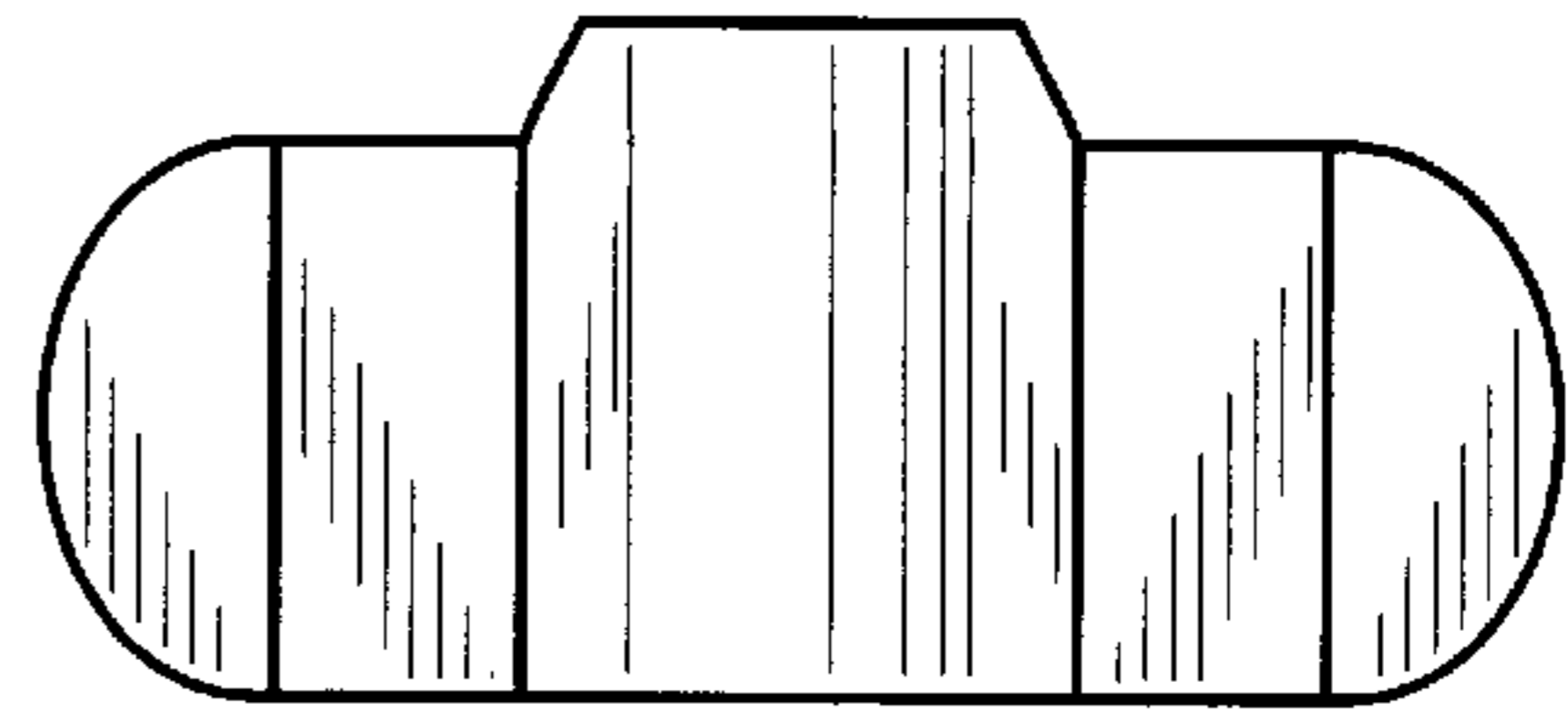


**FIG.\_5**

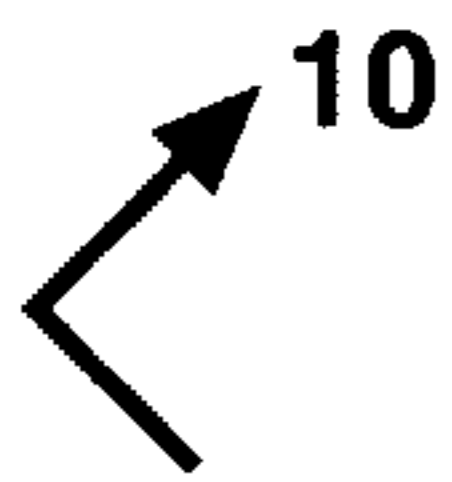
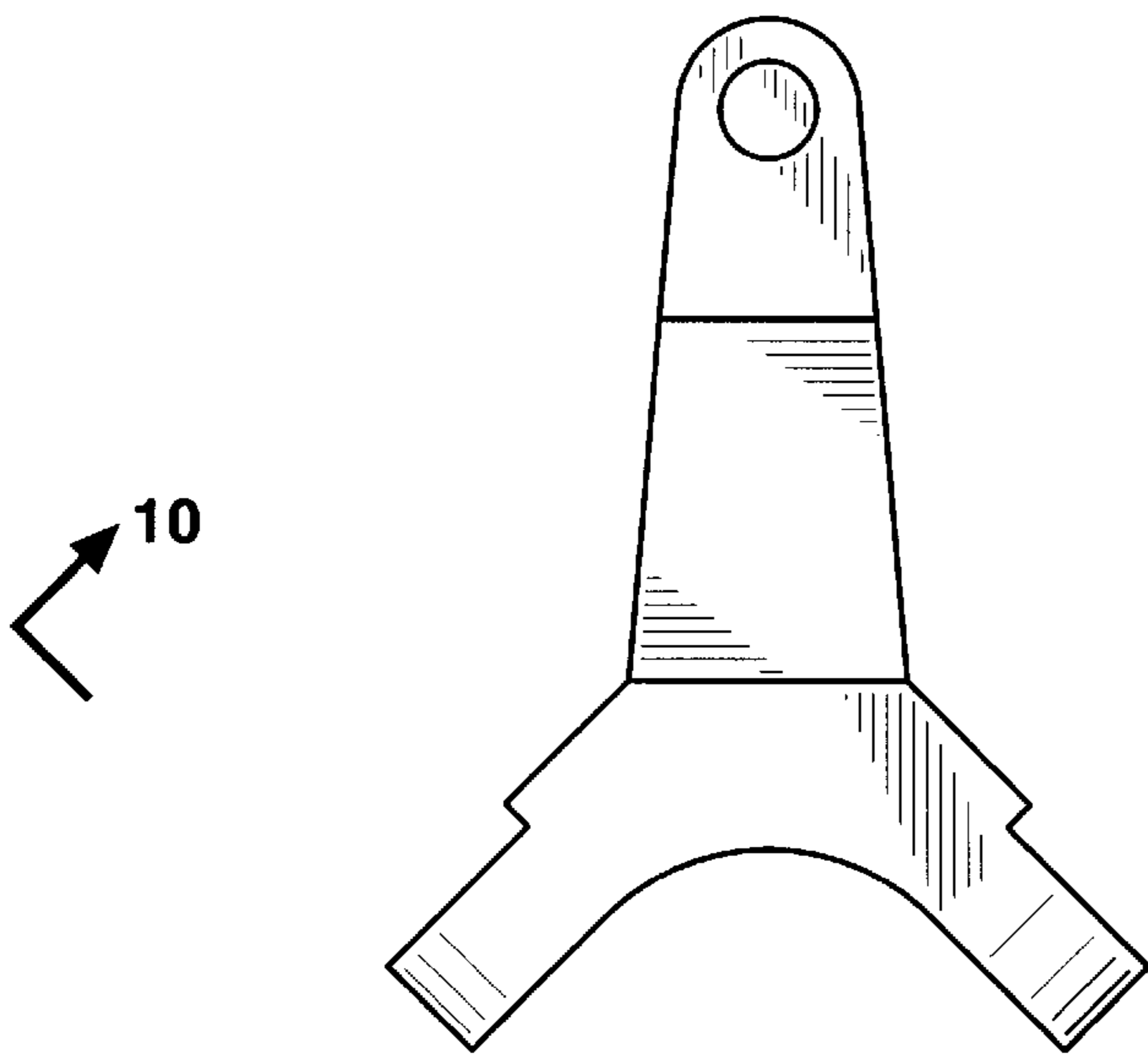




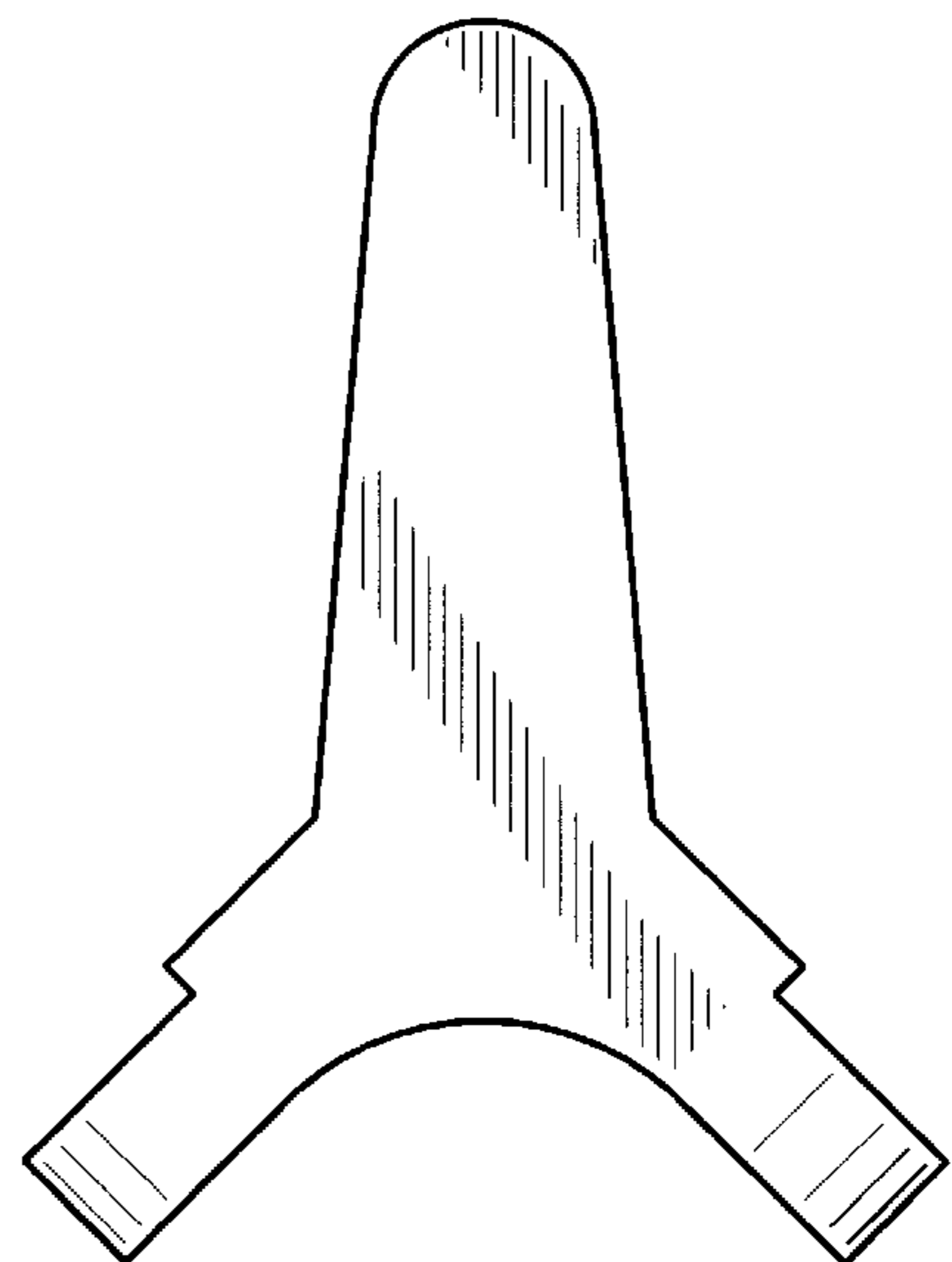
**FIG.\_6**



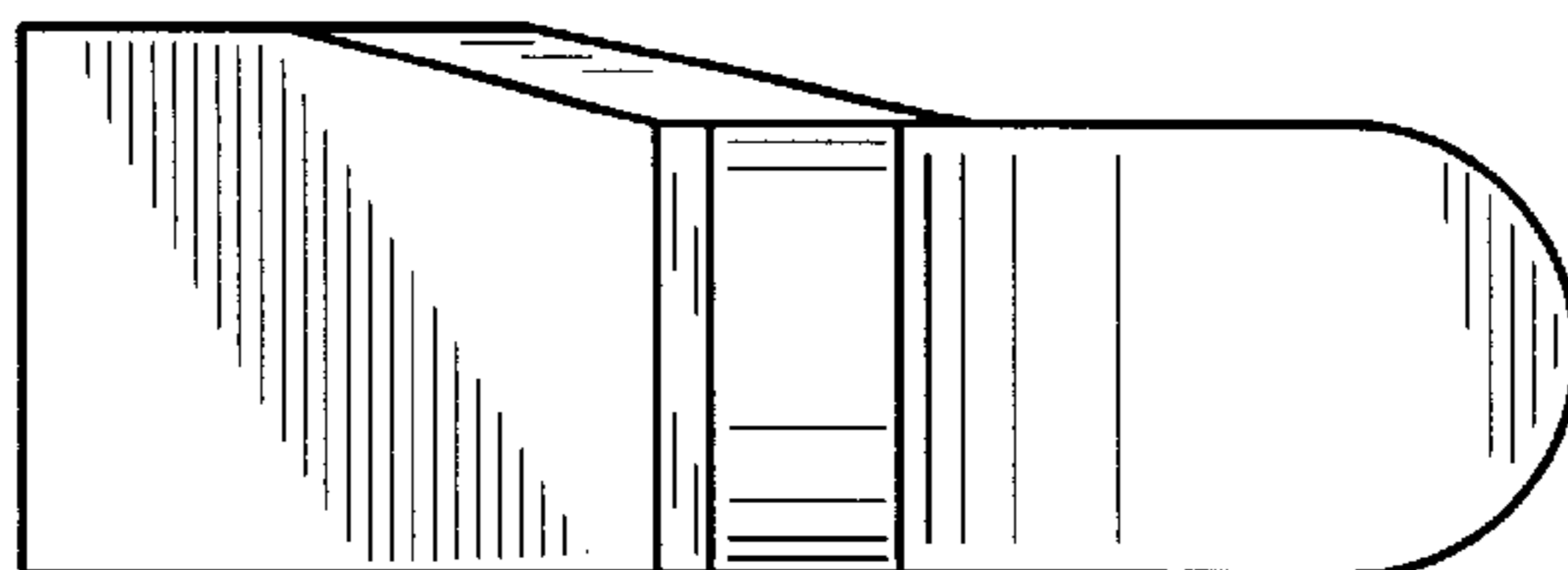
**FIG.\_7**



**FIG.\_8**



**FIG.\_9**



**FIG.\_10**