



US00D412827S

**United States Patent** [19]  
**Bredemeier**

[11] **Patent Number: Des. 412,827**

[45] **Date of Patent: \*\* Aug. 17, 1999**

[54] **ROD SUPPORT**

419,302	1/1890	Allen .....	248/268
917,601	4/1909	Heinrichs .....	248/262
1,824,385	9/1931	Wintrob .....	248/262

[75] Inventor: **David Bredemeier**, Rehoboth, Mass.

[73] Assignee: **Kenney Manufacturing Company**,  
Warwick, R.I.

*Primary Examiner*—Holly Baynham  
*Attorney, Agent, or Firm*—Robert J. Doherty

[\*\*] Term: **14 Years**

[57] **CLAIM**

[21] Appl. No.: **29/092,623**

The ornamental design for a rod support, as shown and described.

[22] Filed: **Aug. 24, 1998**

**DESCRIPTION**

[51] **LOC (6) Cl.** ..... **08-05**

FIG. 1 is a right side perspective view of a rod support showing my new design;

[52] **U.S. Cl.** ..... **D8/363**

FIG. 2 is a left side elevational view thereof;

[58] **Field of Search** ..... D8/363, 368; 248/261–262;  
160/349.1, 349.2

FIG. 3 is a right side elevational view thereof;

[56] **References Cited**

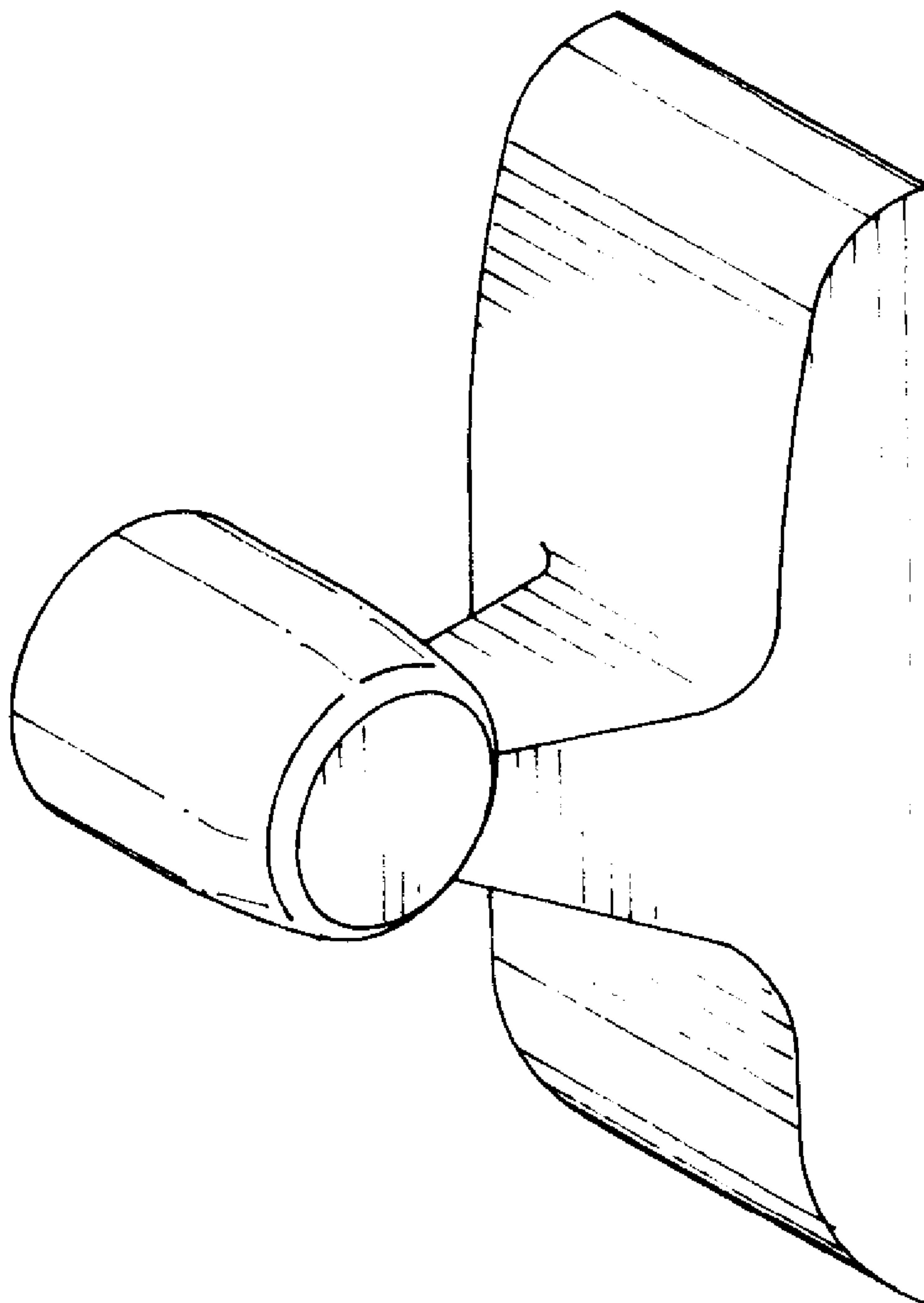
FIG. 4 is a top view, the bottom view being the mirror image thereof; and,

**U.S. PATENT DOCUMENTS**

FIG. 5 is a front view, the rear view having no significant design feature thereof.

- D. 204,057 3/1966 Logan ..... D8/363
- D. 216,458 1/1970 Leonard ..... D8/363
- D. 300,803 4/1989 Whitley, II ..... D8/363

**1 Claim, 2 Drawing Sheets**



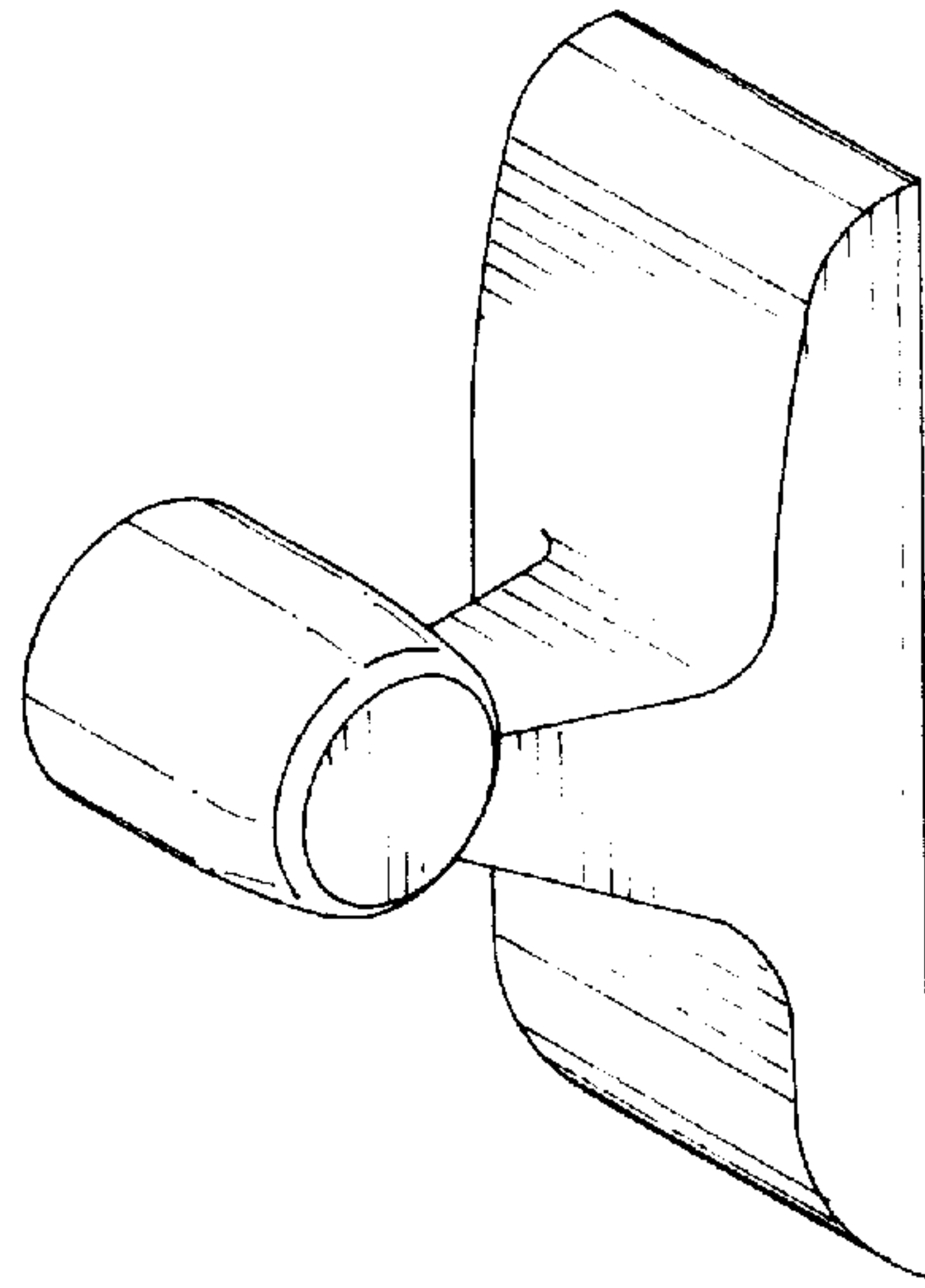


FIG. 1

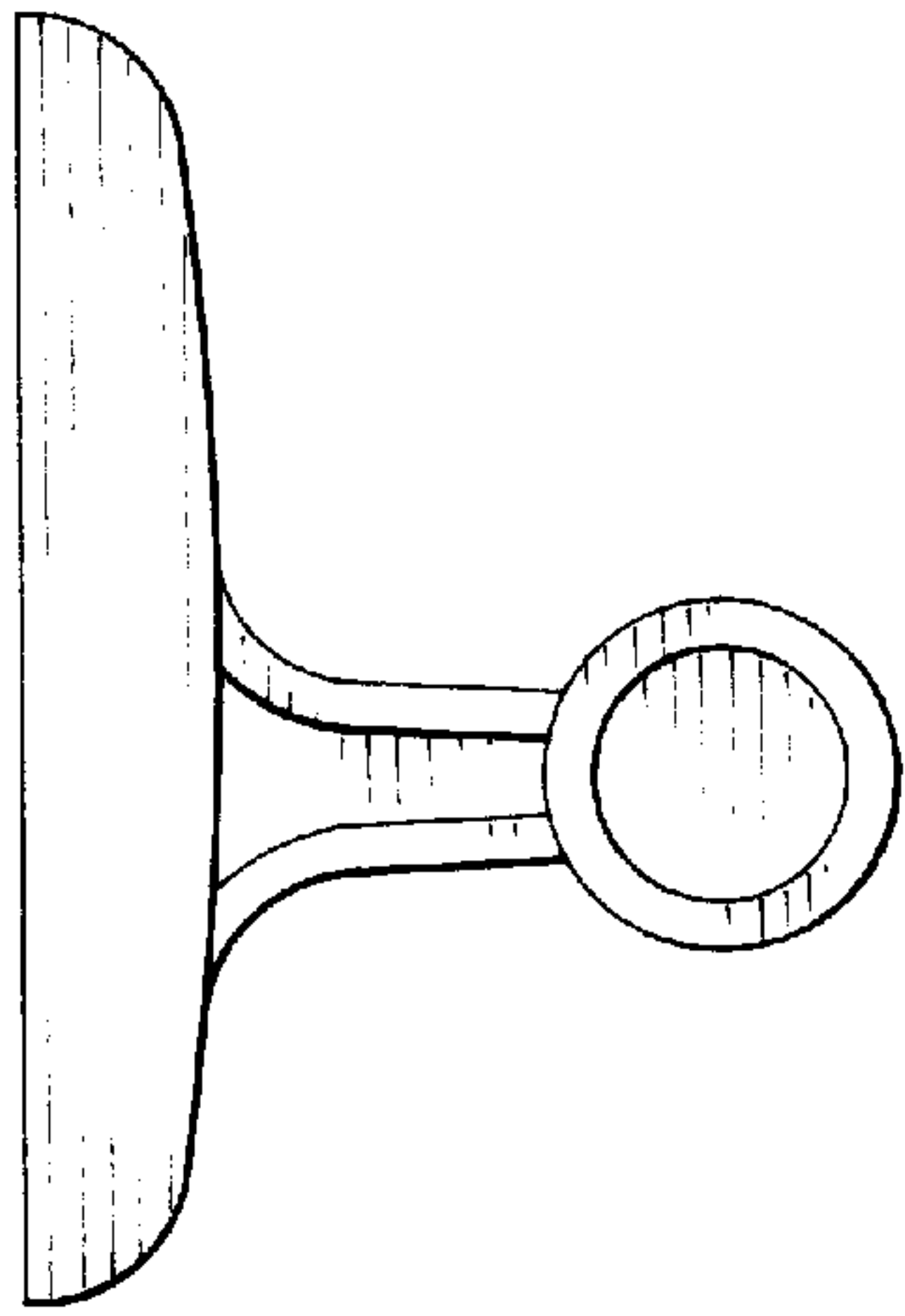


FIG. 2

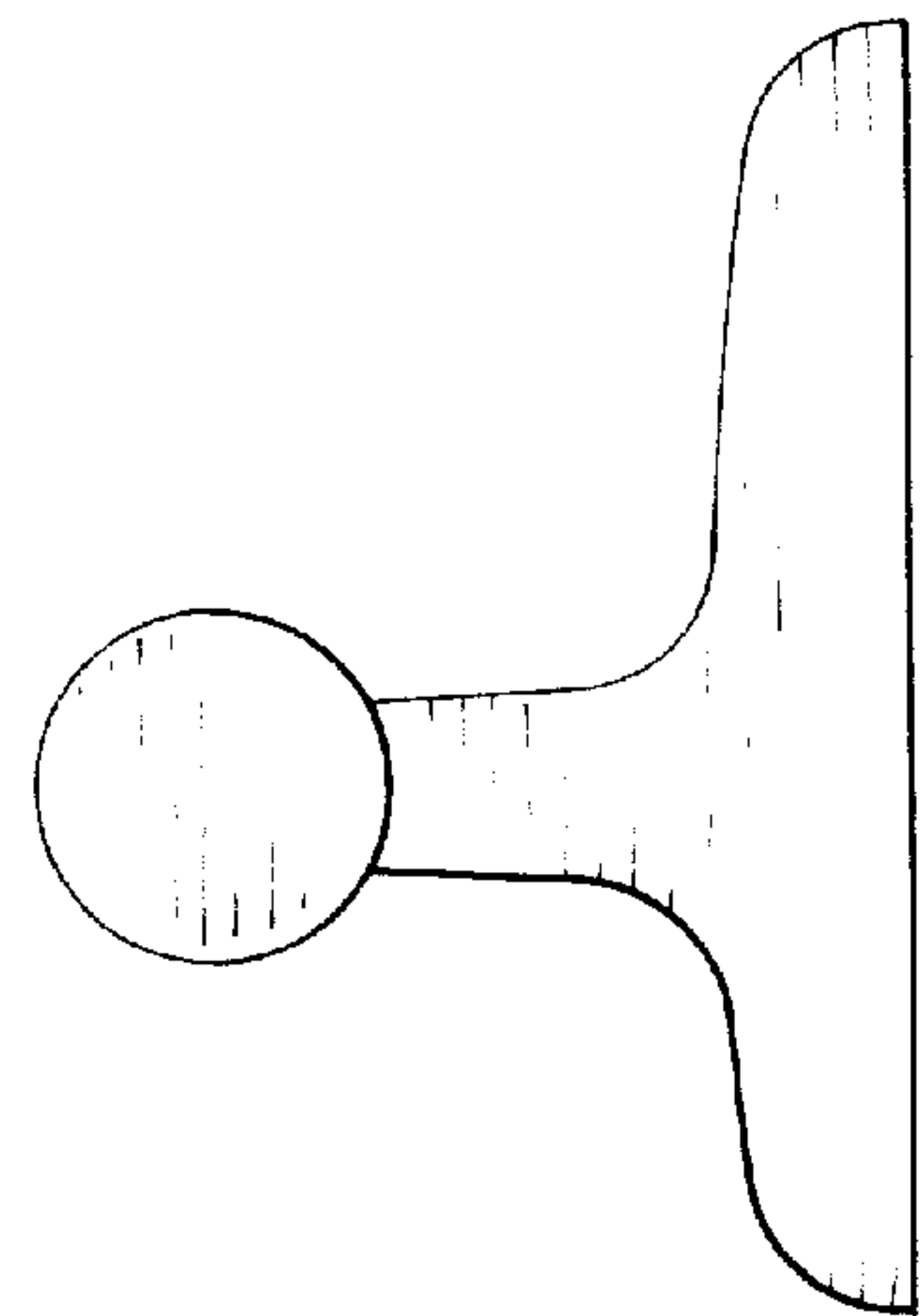


FIG. 3

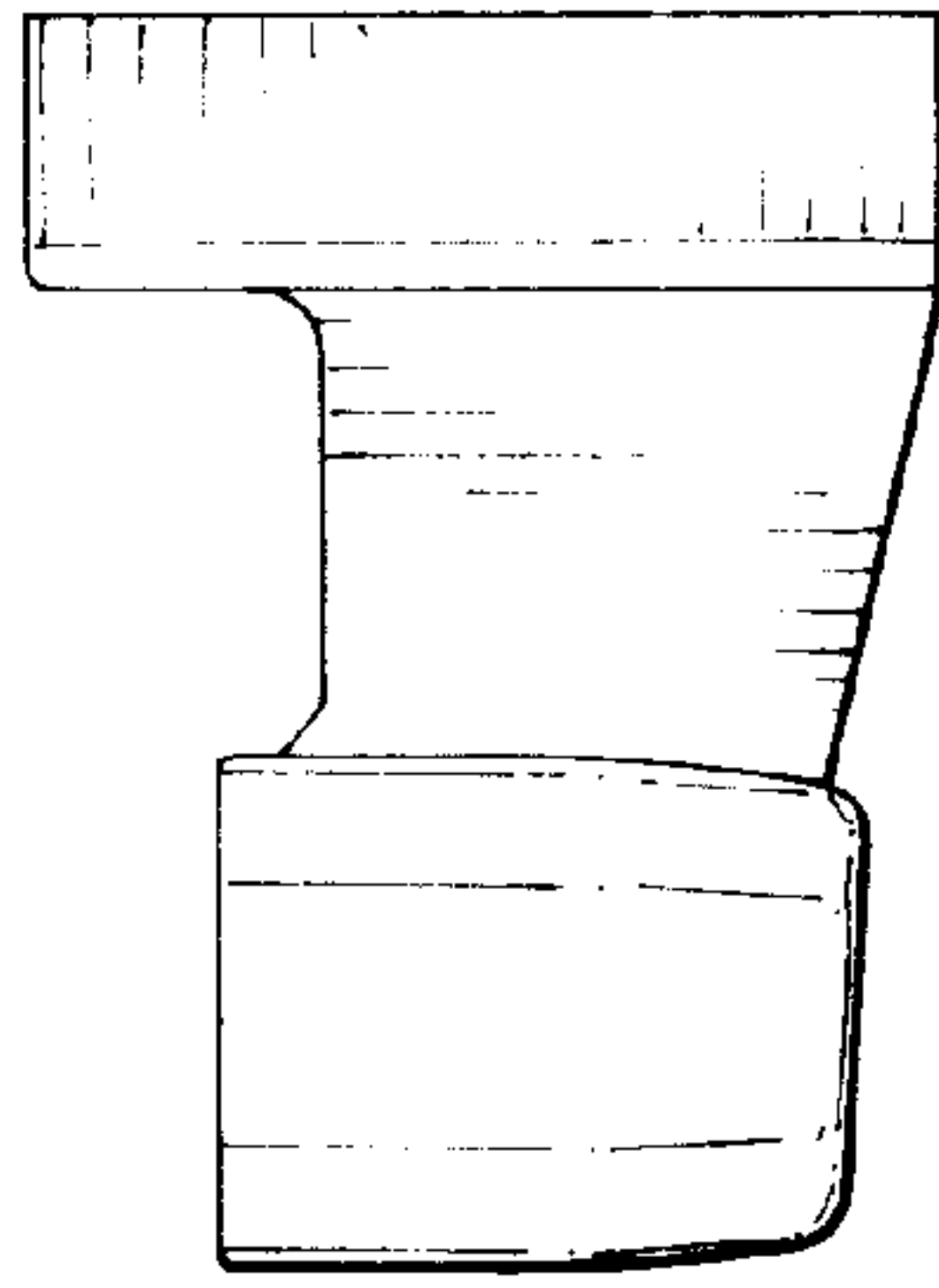


FIG. 4

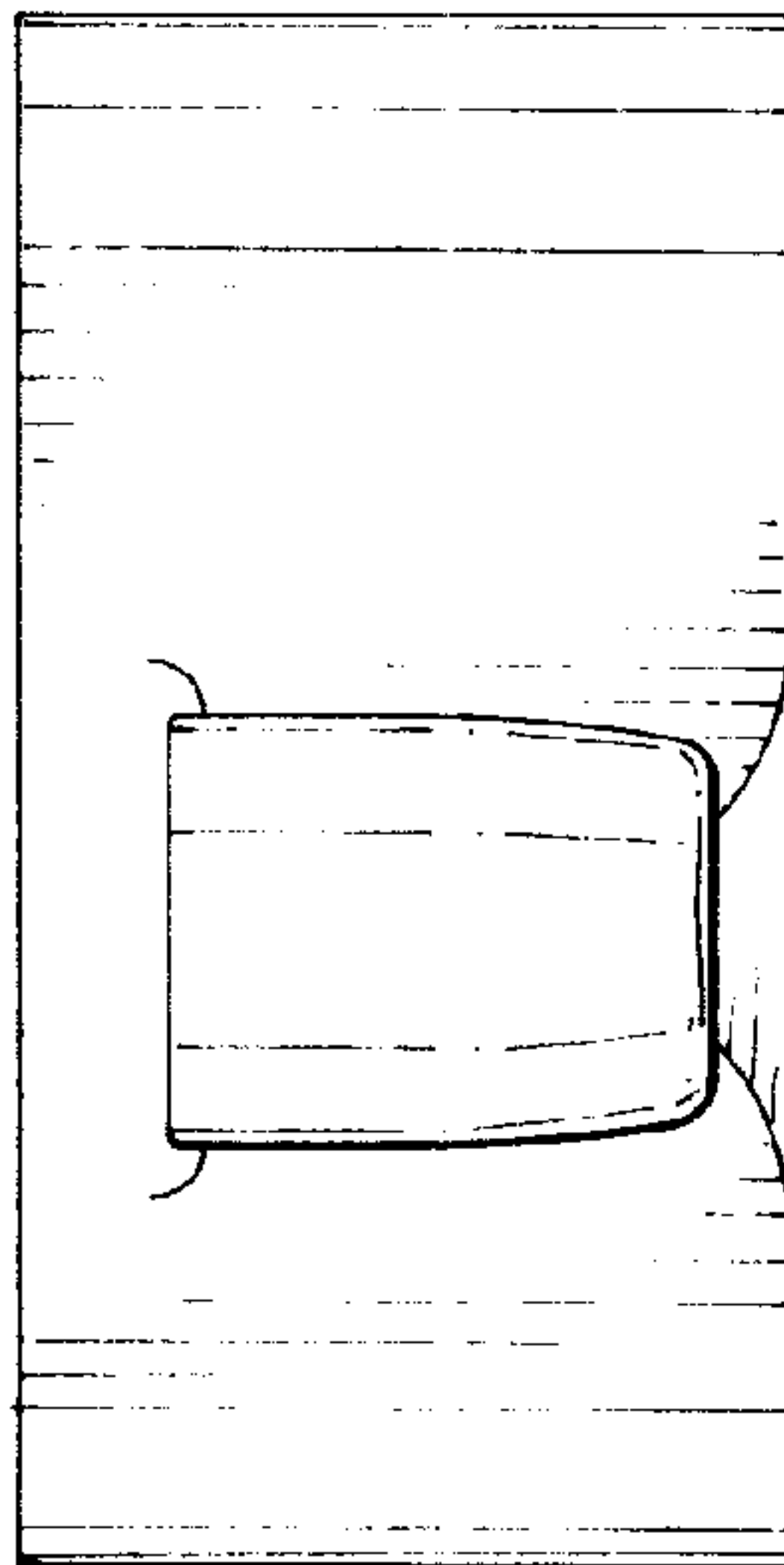


FIG. 5