



US00D412825S

United States Patent [19]
Hlavaty et al.

[11] **Patent Number: Des. 412,825**

[45] **Date of Patent: ** Aug. 17, 1999**

[54] **DOOR LOCK ACTUATOR HOUSING**

5,715,713 2/1998 Aubry et al. 70/277
5,746,076 5/1998 Inoue 70/277

[75] Inventors: **Francis Hlavaty**, Novi, Mich.; **William H. Fort**, Stratham, N.H.

Primary Examiner—Pamela Burgess
Attorney, Agent, or Firm—MacMillan, Sobanski & Todd, LLC

[73] Assignee: **Stoneridge, Inc.**, Warren, Ohio

[**] Term: **14 Years**

[57] **CLAIM**

[21] Appl. No.: **29/088,359**

An ornamental design for a door lock actuator housing, as shown and described.

[22] Filed: **May 21, 1998**

DESCRIPTION

[51] **LOC (6) Cl.** **08-07**

[52] **U.S. Cl.** **D8/331**

[58] **Field of Search** D8/330-331, 344;
70/237, 277; 74/89.15, 102, 625; 292/201,
DIG. 3, DIG. 4, DIG. 20, DIG. 23

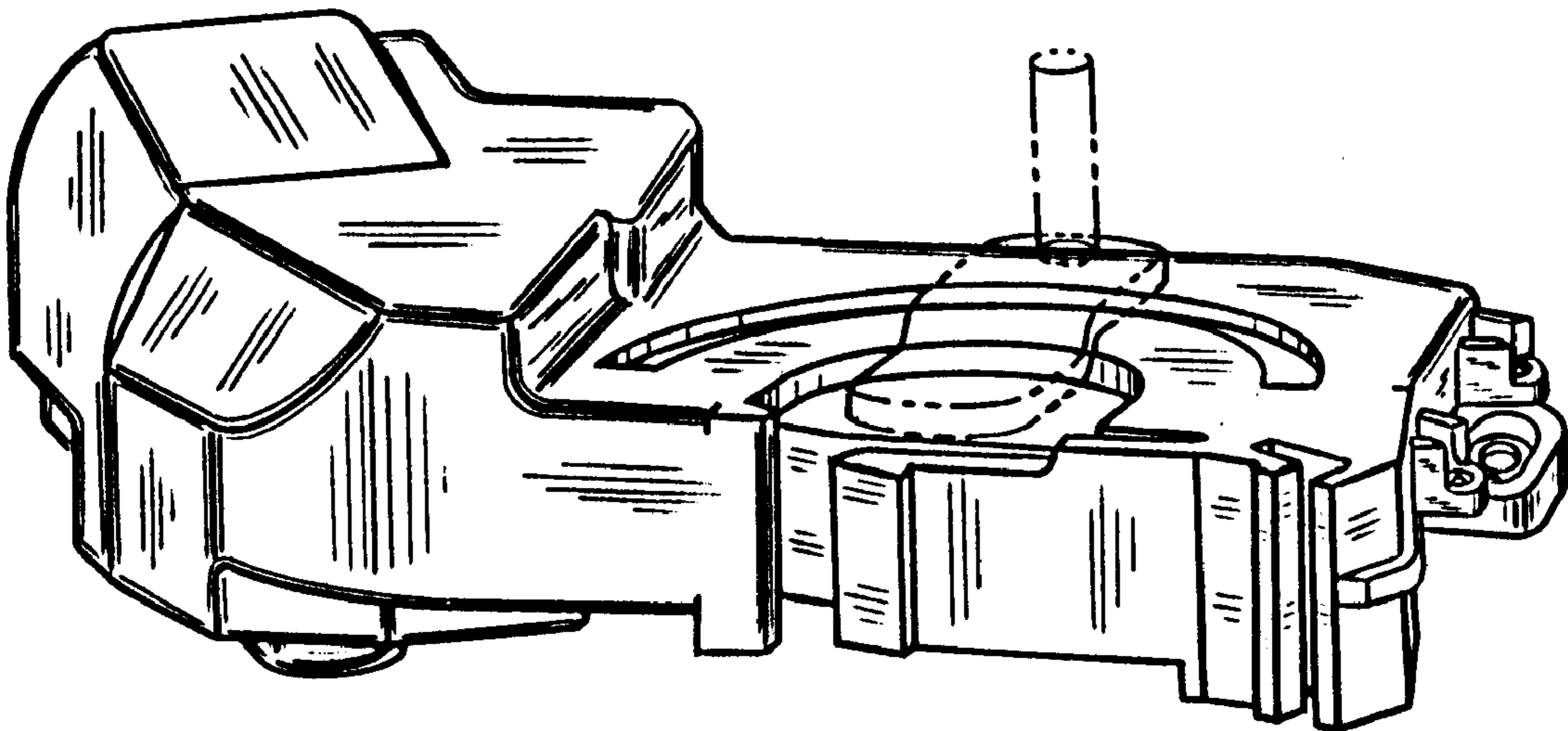
FIG. 1 is a right side elevational view of a door lock actuator housing embodying our new design;
FIG. 2 is a left side elevational view thereof;
FIG. 3 is a top plan view thereof;
FIG. 4 is a front elevational view thereof;
FIG. 5 is a rear elevational view thereof;
FIG. 6 is a bottom plan view thereof;
FIG. 7 is a front, right, top perspective view thereof;
FIG. 8 is a right side elevational view of a second embodiment of FIG. 1;
FIG. 9 is a left side elevational view thereof;
FIG. 10 is a top plan view thereof;
FIG. 11 is a front elevational view thereof;
FIG. 12 is a rear elevational view thereof;
FIG. 13 is a bottom plan view thereof; and,
FIG. 14 is a front, right, top perspective view thereof.
The broken-line disclosure of an output arm in the views is for illustrative purposes only and forms no part of the claimed design.

[56] **References Cited**

U.S. PATENT DOCUMENTS

D. 327,210	6/1992	Yamada .	
D. 374,599	10/1996	Bridges, Jr. et al. .	
3,231,302	1/1966	Westerdale .	
4,723,454	2/1988	Periou et al. .	
4,793,640	12/1988	Stewart, Sr. .	
4,885,954	12/1989	Wanlass .	
4,905,528	3/1990	Kawaguchi et al. .	
4,905,532	3/1990	Fukumoto et al. .	
4,932,277	6/1990	Beaux .	
5,037,145	8/1991	Wilkes .	
5,046,377	9/1991	Wilkes et al. .	
5,236,234	8/1993	Norman	292/201
5,338,076	8/1994	Tanaka	292/201 X

1 Claim, 4 Drawing Sheets



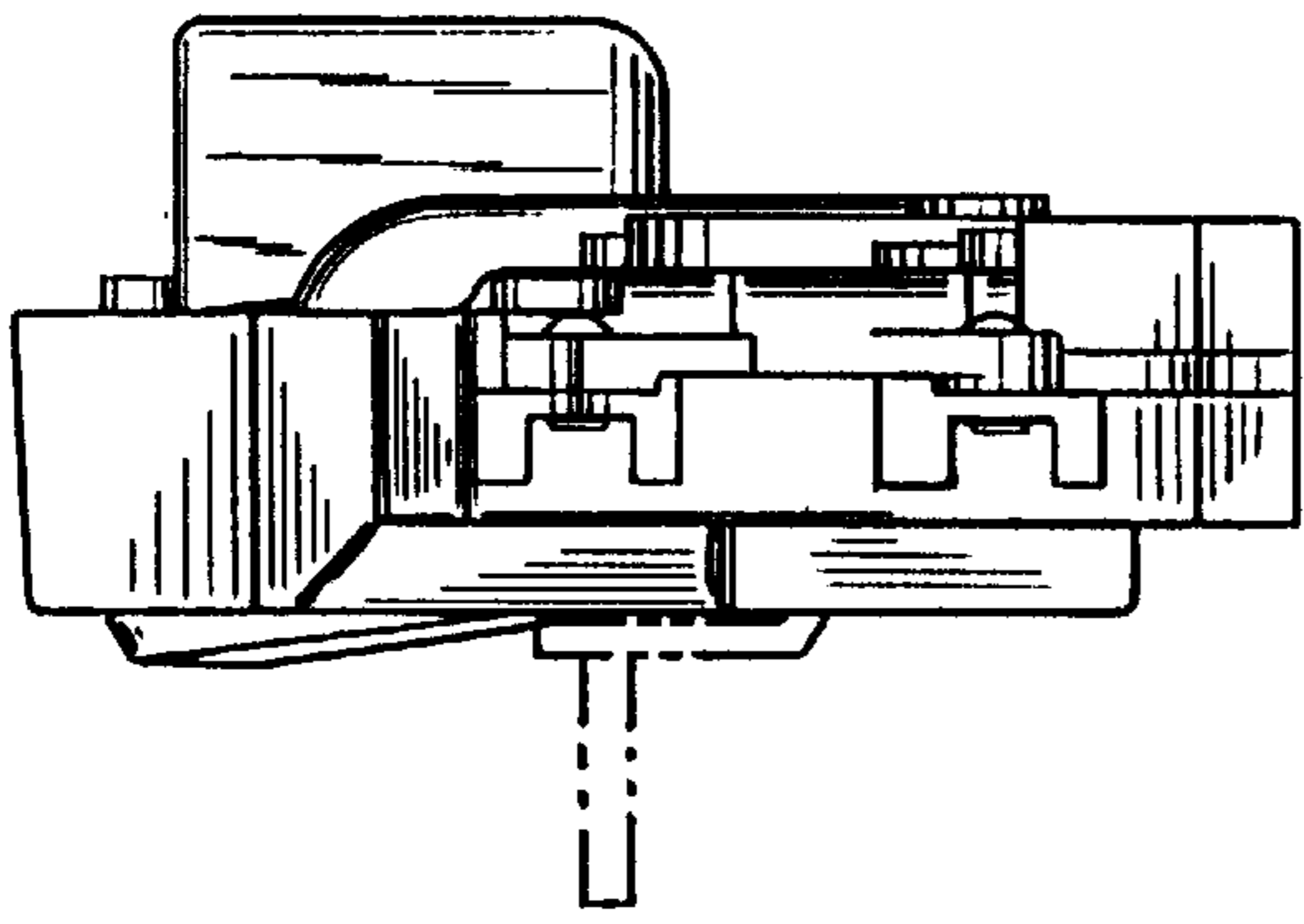


FIG. 1

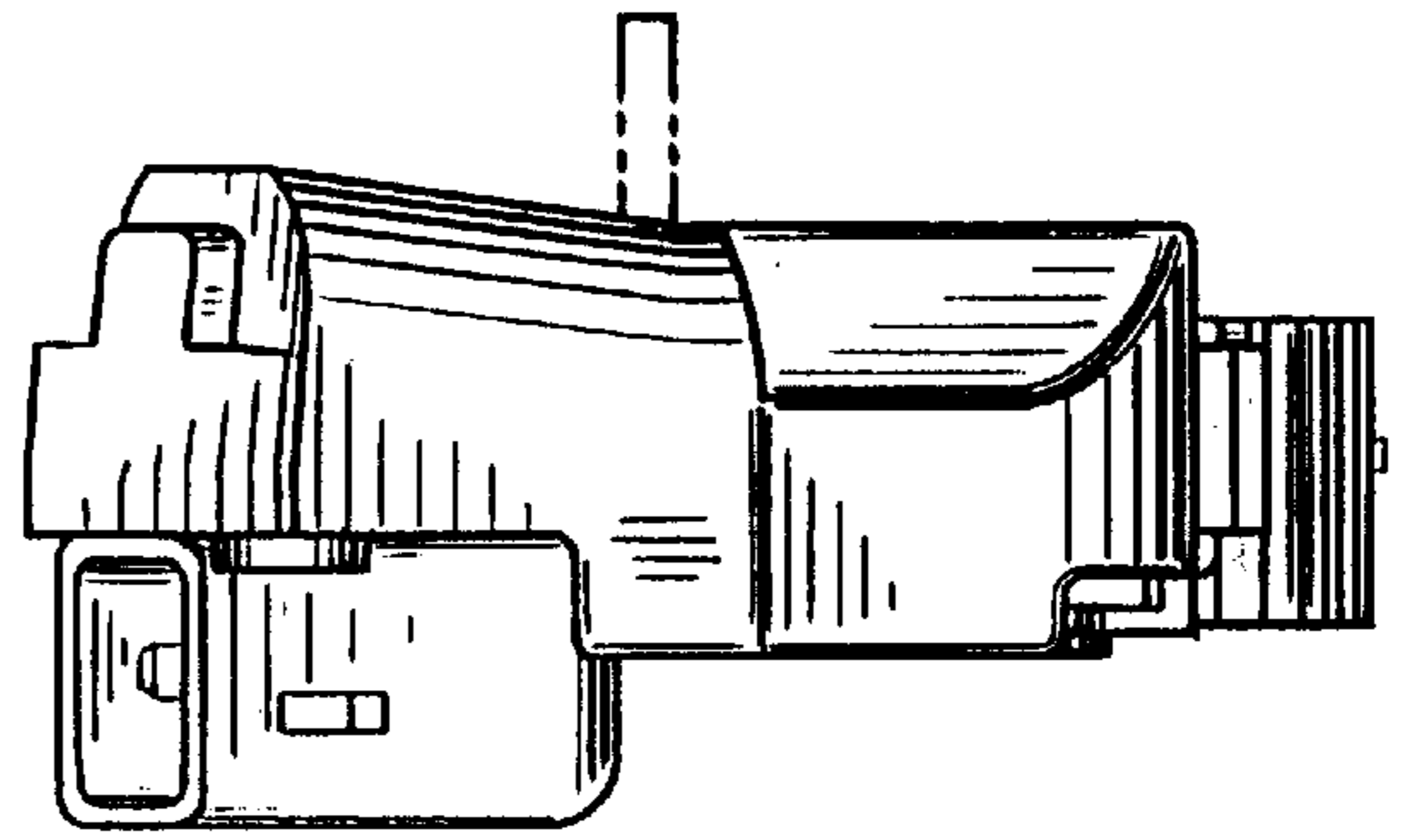


FIG. 2

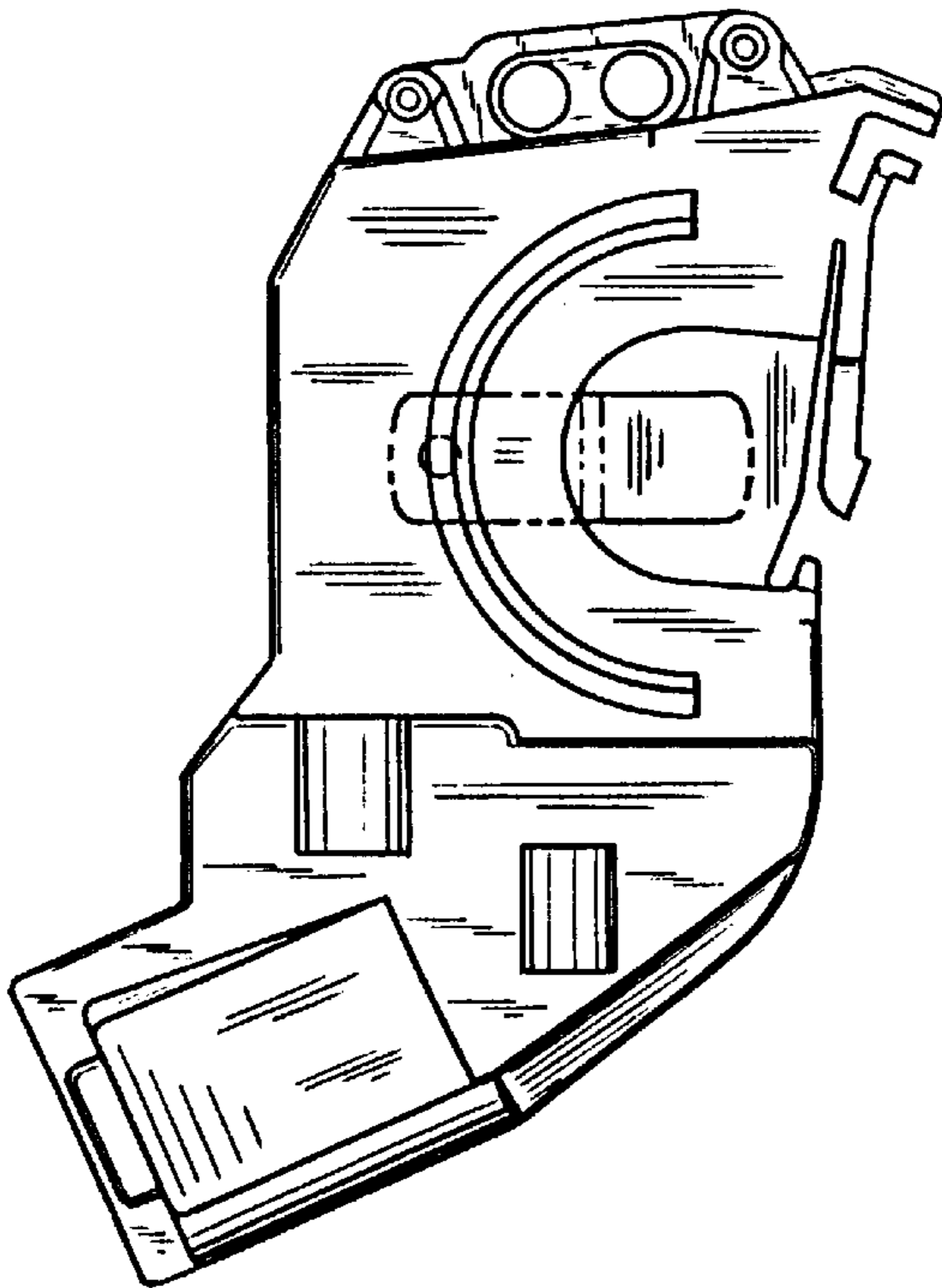


FIG. 3

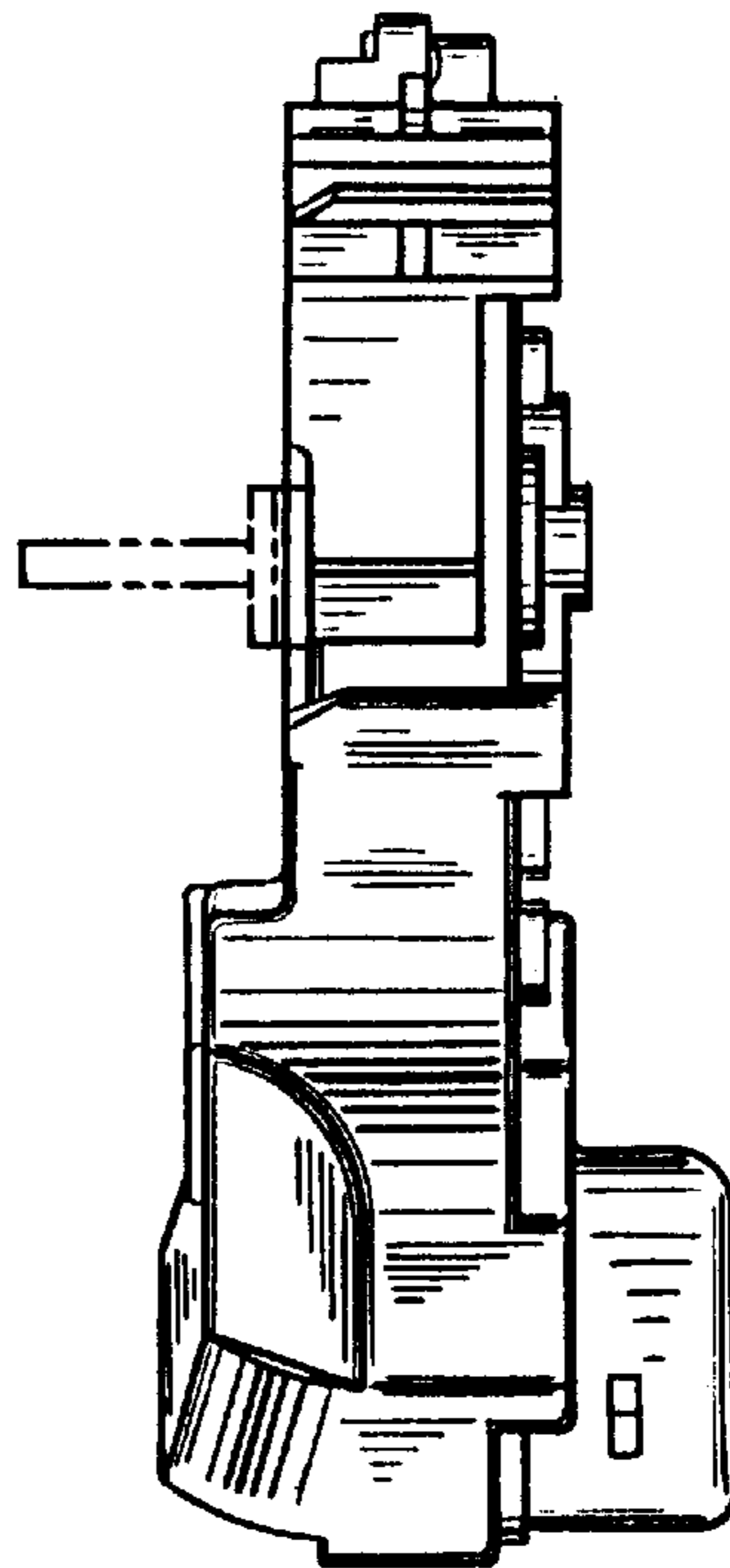


FIG. 4

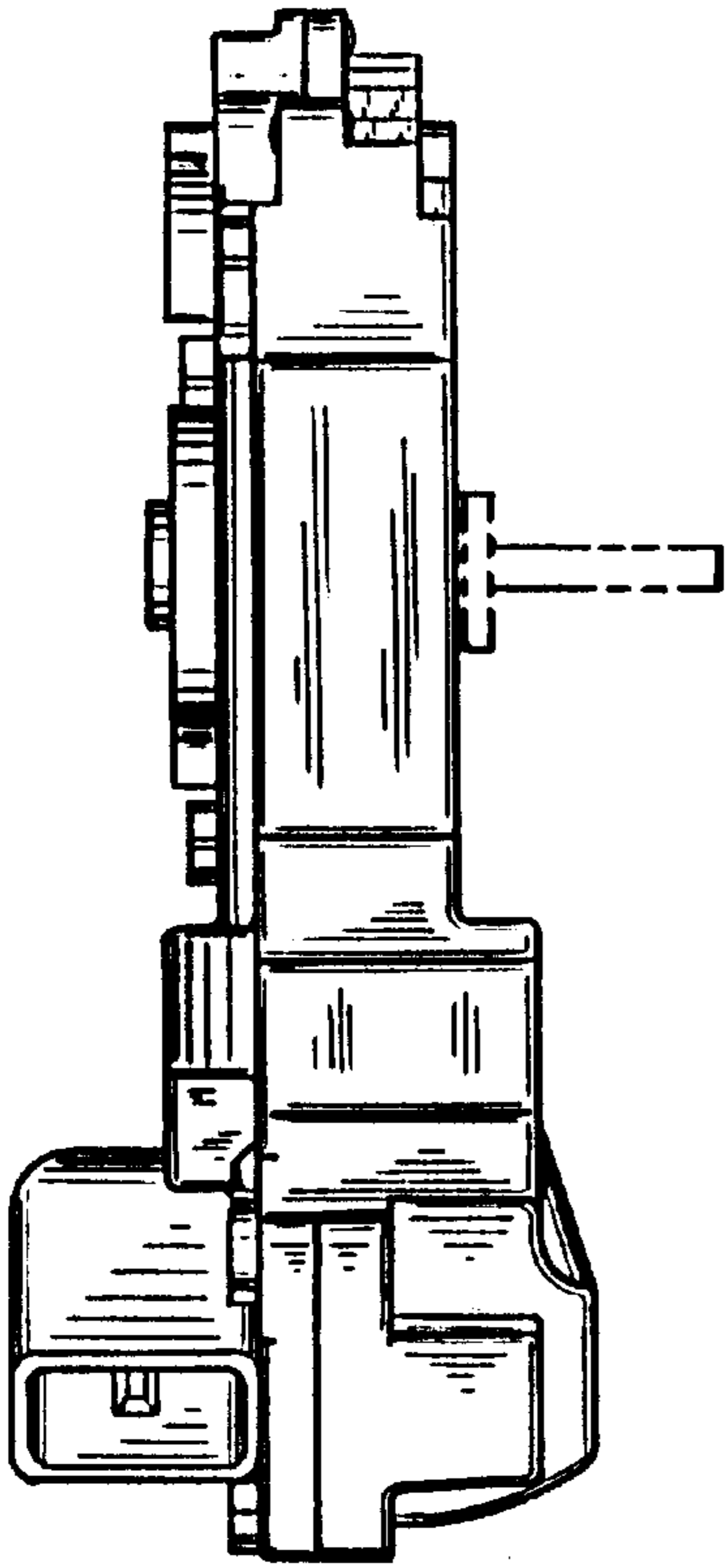


FIG. 5

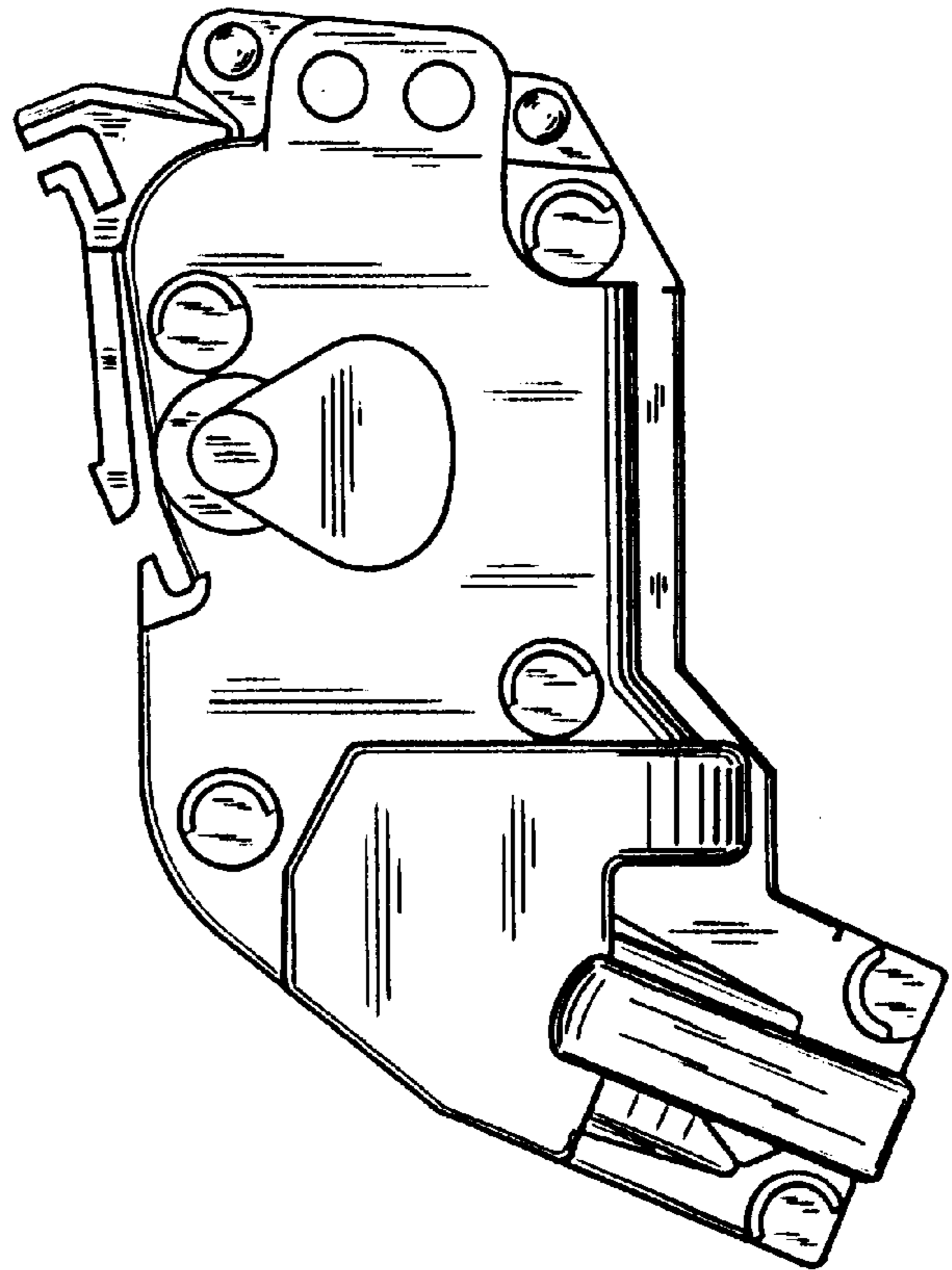


FIG. 6

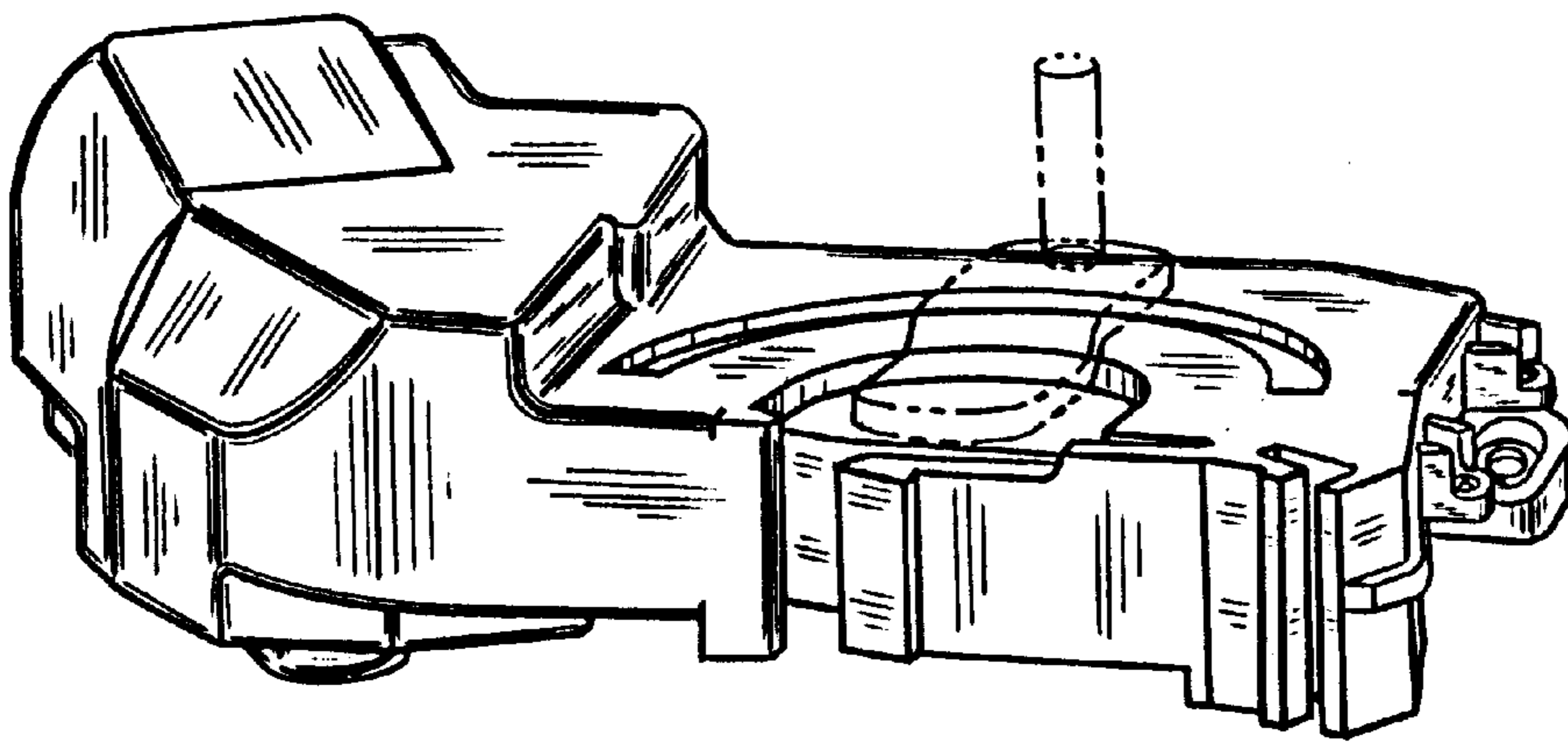


FIG. 7

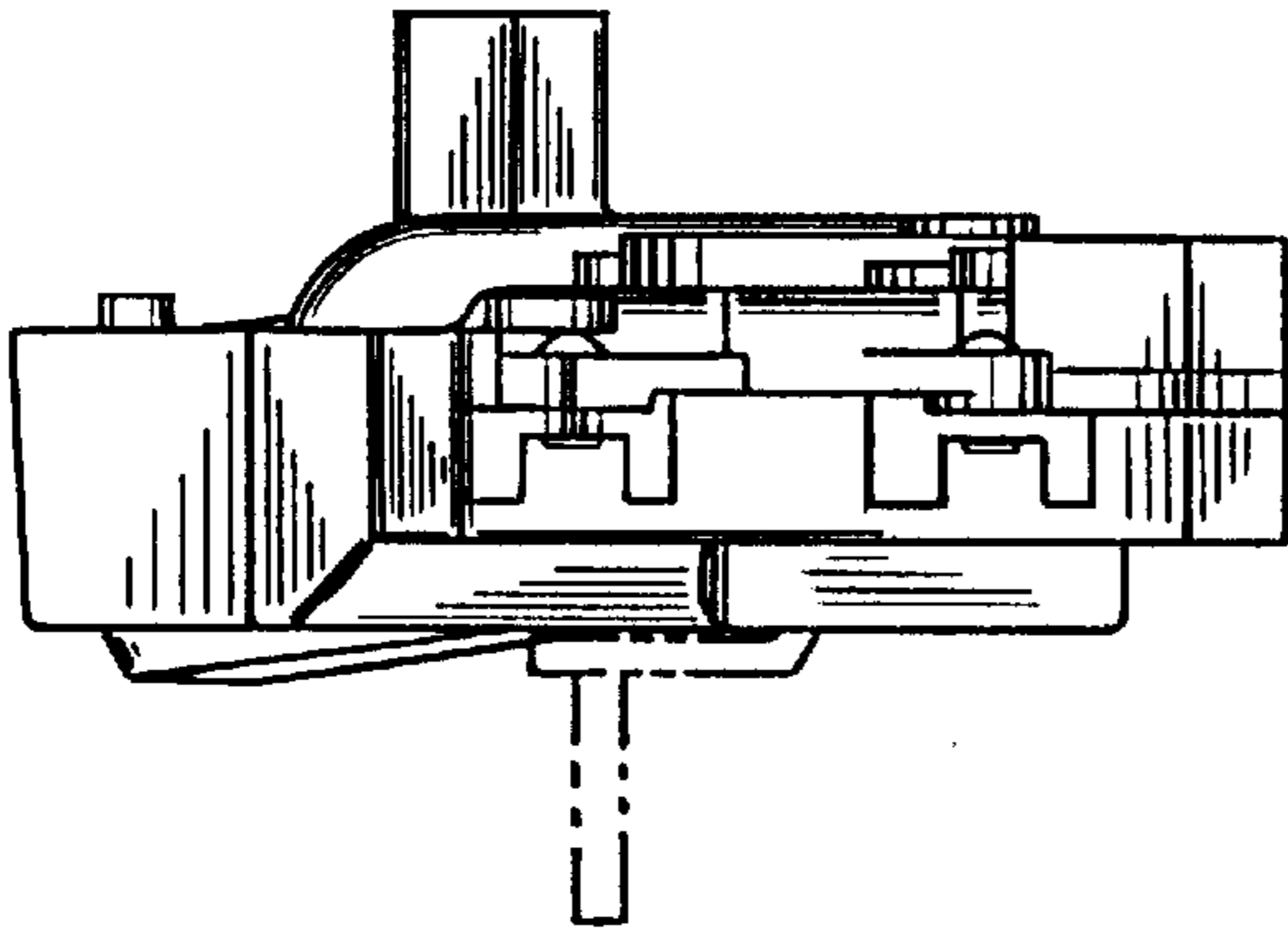


FIG. 8

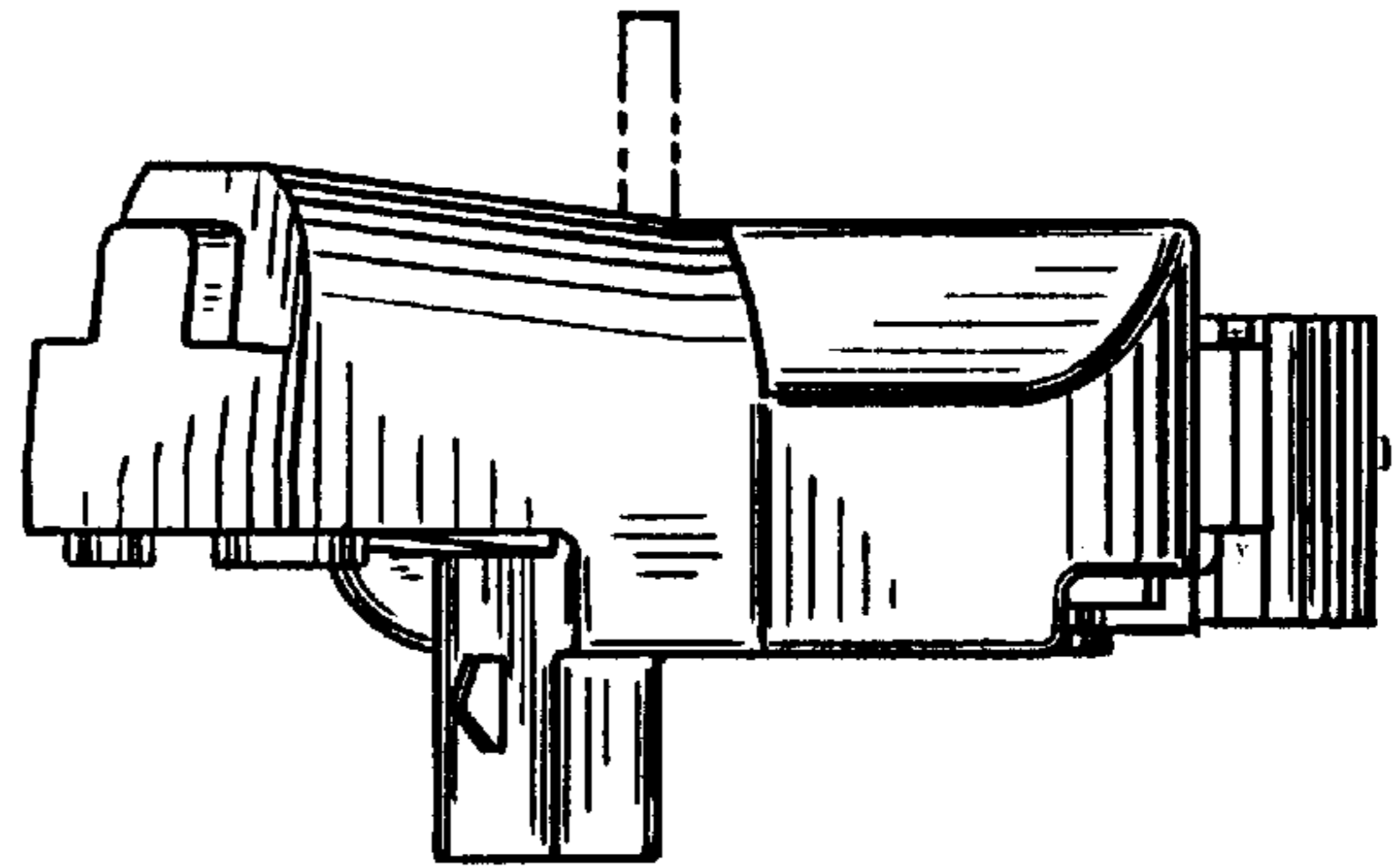


FIG. 9

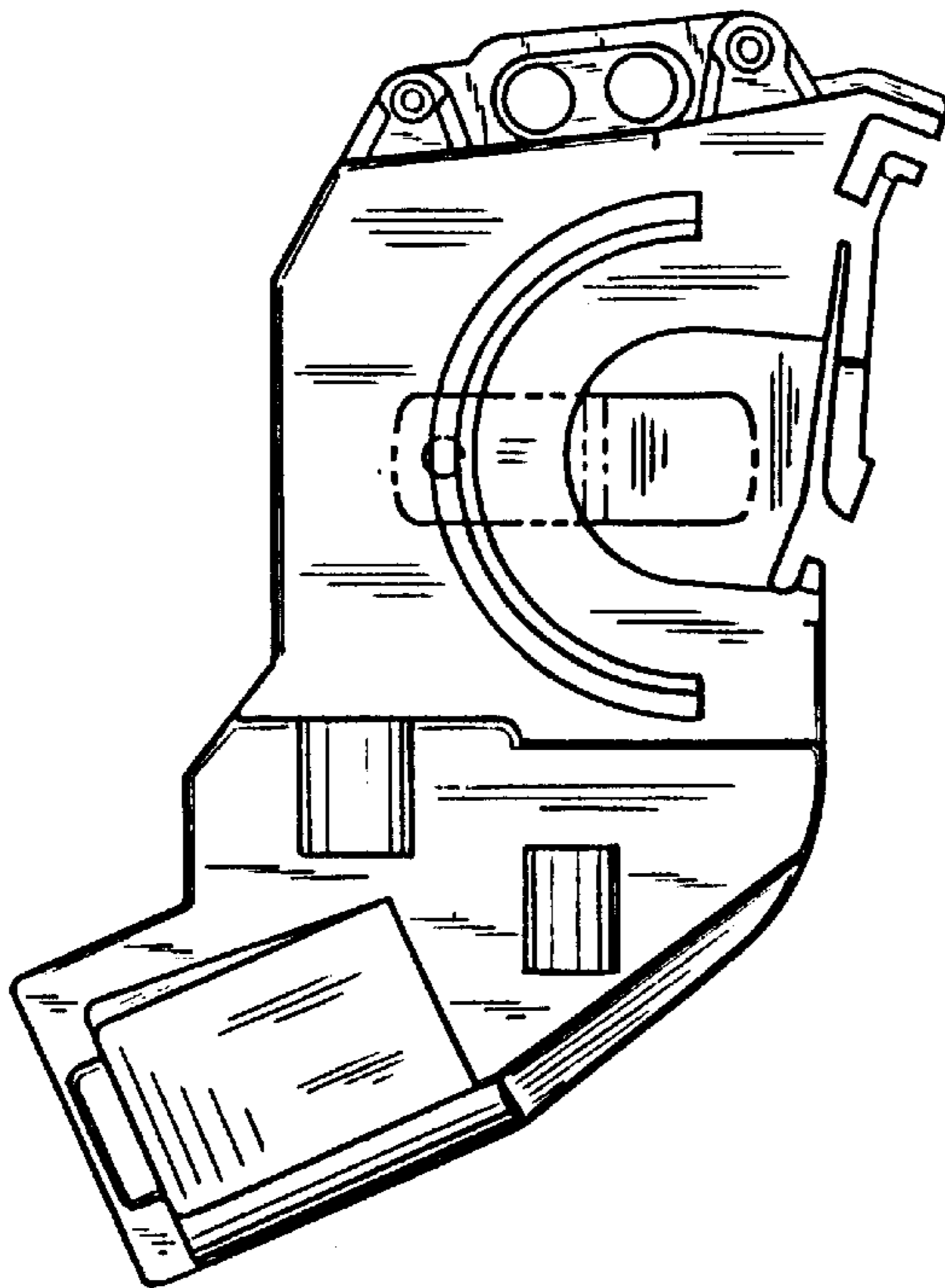


FIG. 10

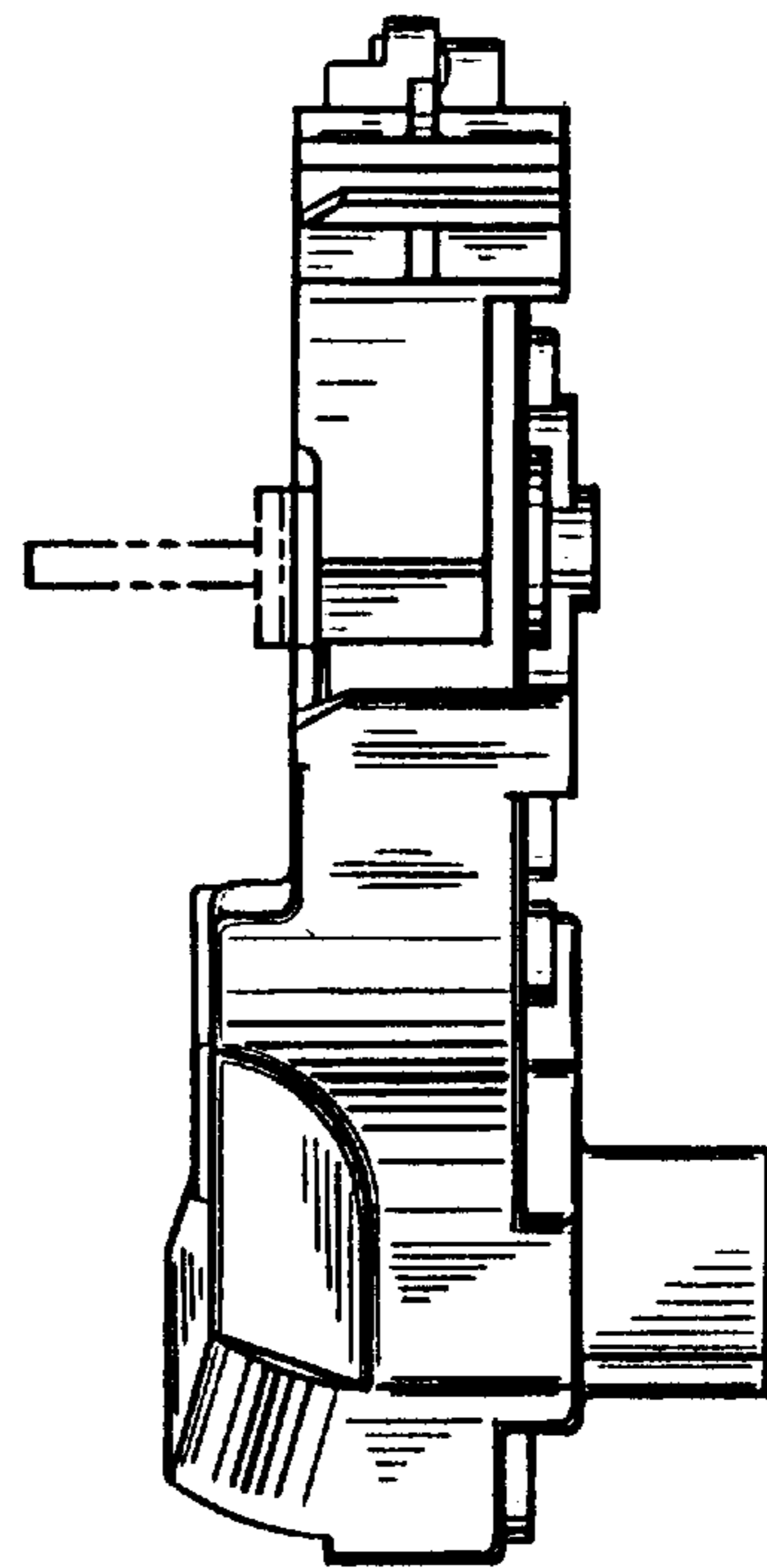
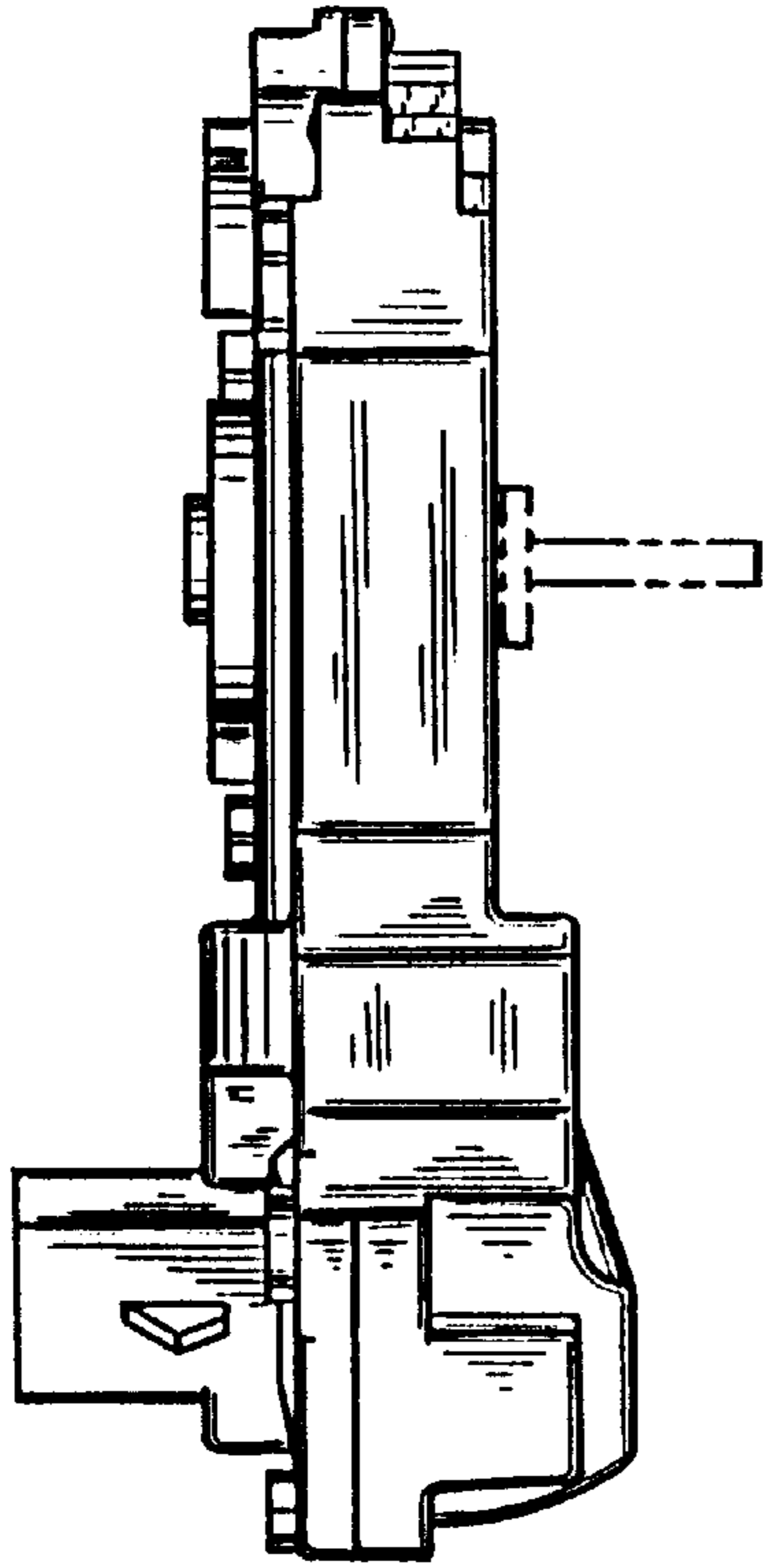
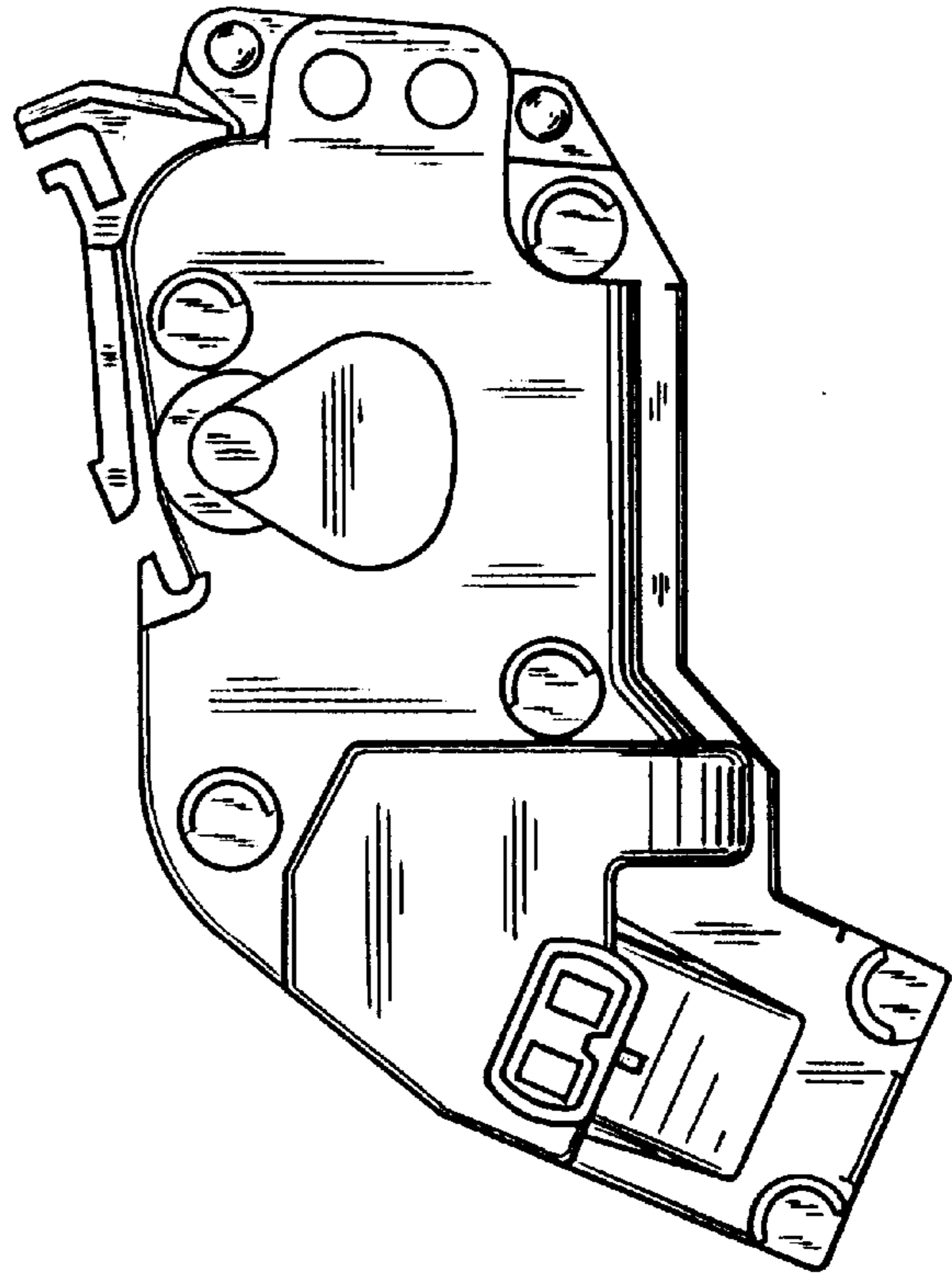


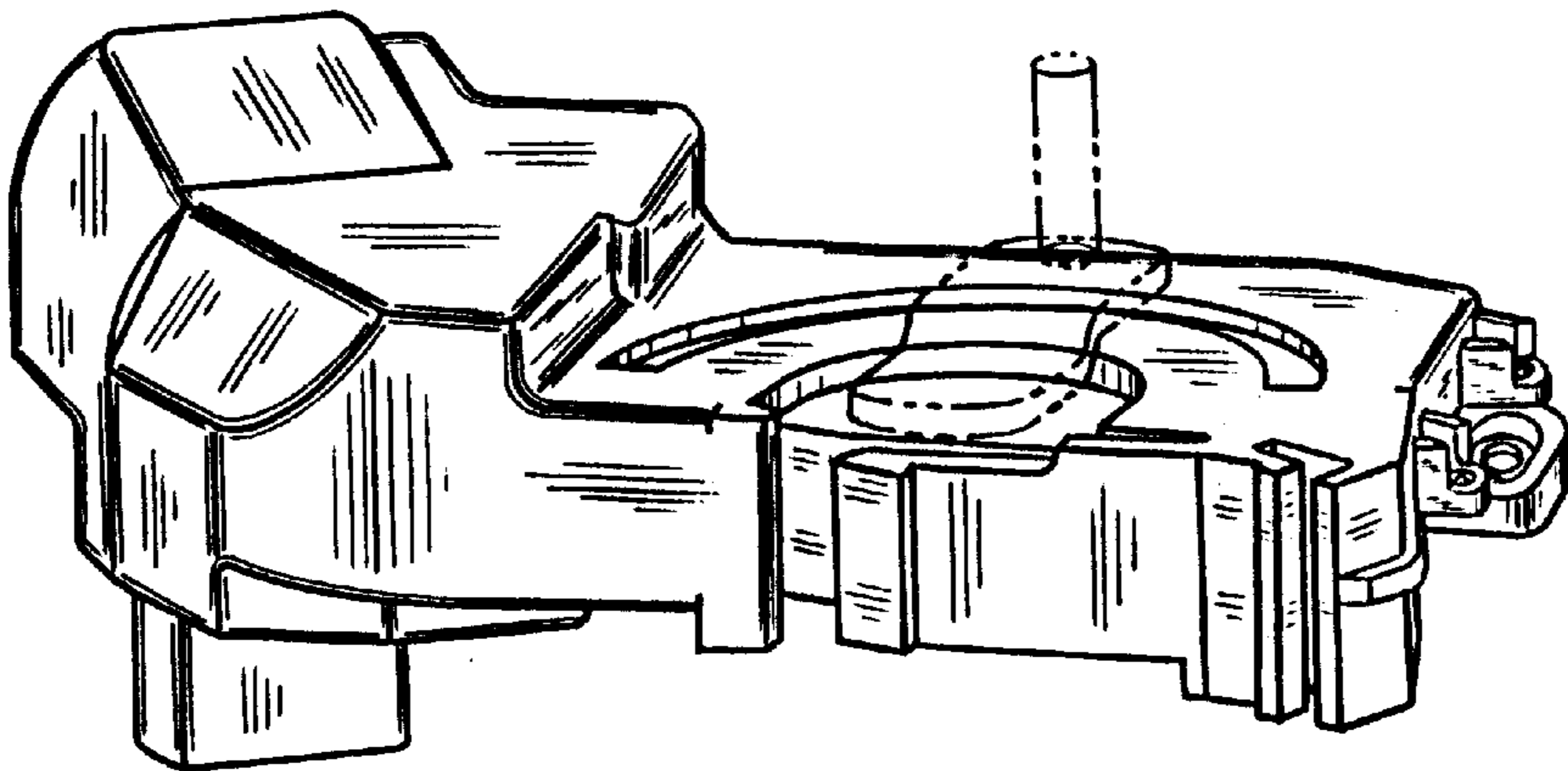
FIG. 11



—FIG.12



—FIG.13



—FIG.14