



US00D412816S

United States Patent [19] Thingvold

[11] **Patent Number: Des. 412,816**

[45] **Date of Patent: ** Aug. 17, 1999**

[54] **TELESCOPIC PLANT SUPPORT WITH BASE**

Primary Examiner—Holly Baynham

[76] **Inventor: Edna F Thingvold**, 1748 Orchard Valley Rd., La Crescent, Minn. 55947

[57] **CLAIM**

[**] **Term: 14 Years**

The ornamental design for a telescopic plant support with base, as shown.

[21] **Appl. No.: 29/083,136**

DESCRIPTION

[22] **Filed: Feb. 5, 1998**

FIG. 1 is a front elevational view of the telescopic plant support with base of the present invention;

[51] **LOC (6) Cl. 08-01**

FIG. 2 is a back elevational view of the telescopic plant support with base of FIG. 1;

[52] **U.S. Cl. D8/1**

FIG. 3 is a left side elevational view of the telescopic plant support with base of FIG. 1;

[58] **Field of Search D8/1; 47/47, 48.5, 47/42-43**

FIG. 4 is a right side elevational view of the telescopic plant support with base of FIG. 1;

[56] **References Cited**

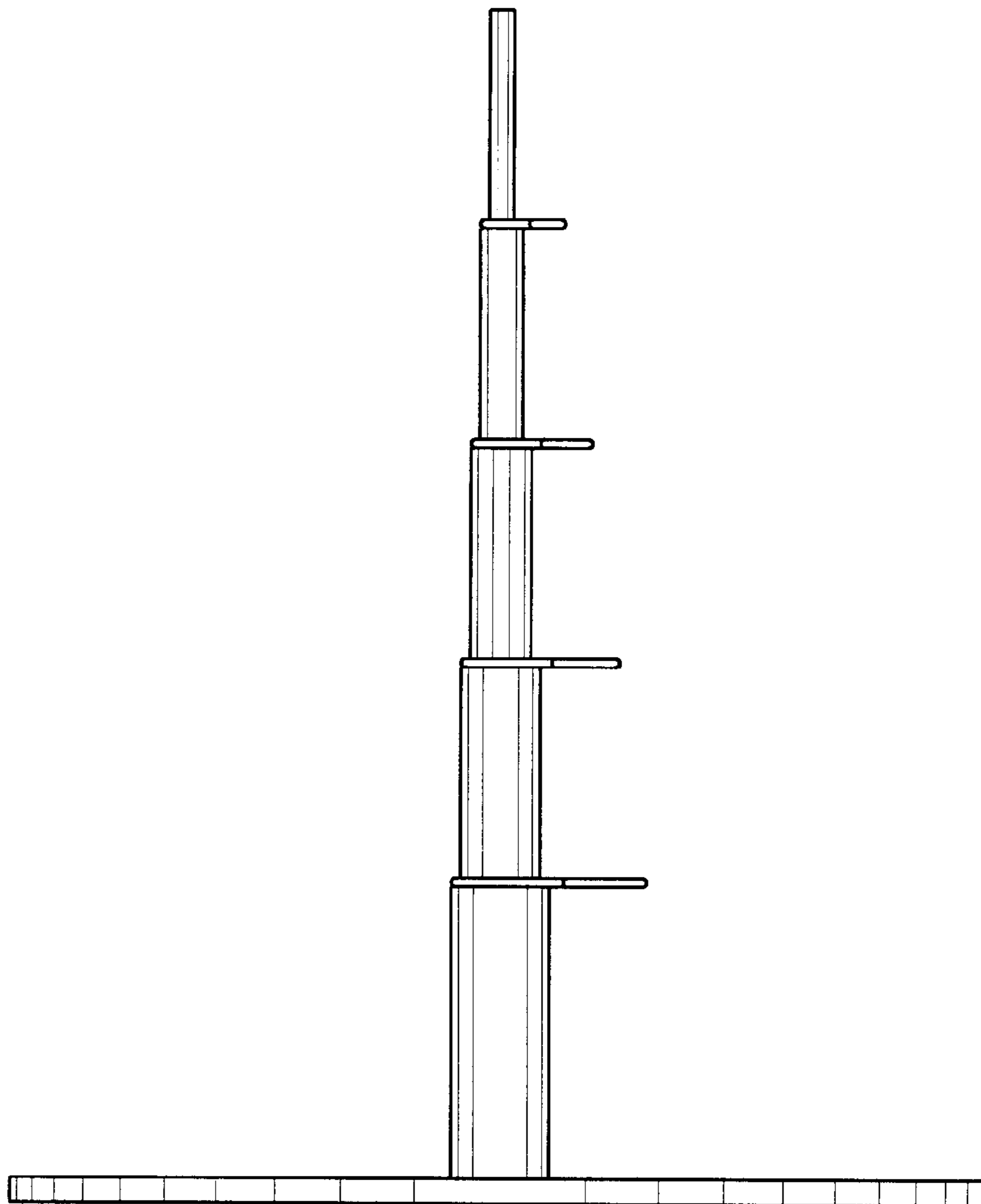
FIG. 5 is a top plan view of the telescopic plant support with base of FIG. 1; and,

U.S. PATENT DOCUMENTS

FIG. 6 is a bottom plan view of the telescopic plant support with base of FIG. 1.

D. 349,472	8/1994	Olswanger	D8/1
4,128,965	12/1978	D'Doudt	47/47
4,509,289	4/1985	Fogelson	47/70

1 Claim, 3 Drawing Sheets



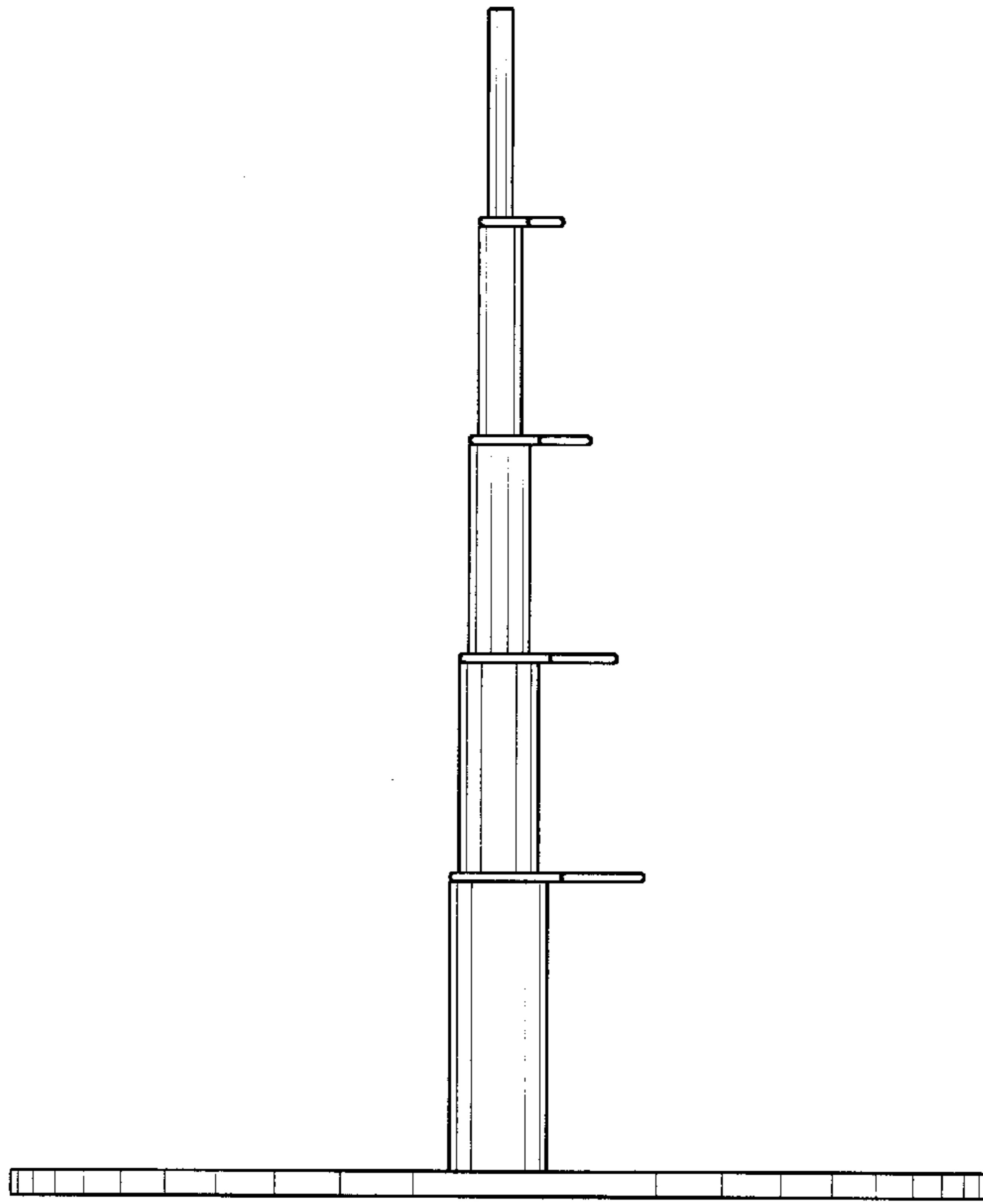


Fig. 1

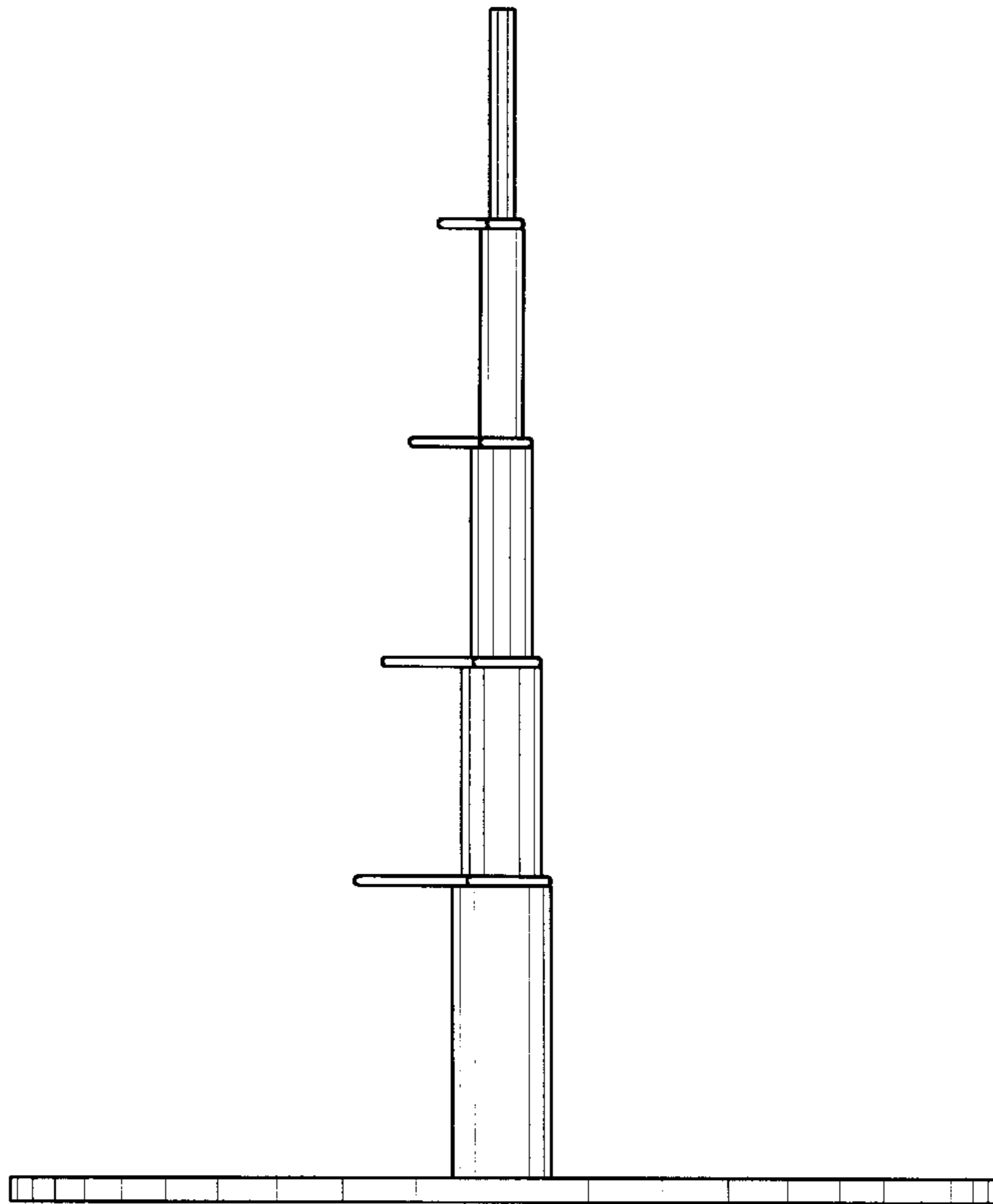


Fig. 2

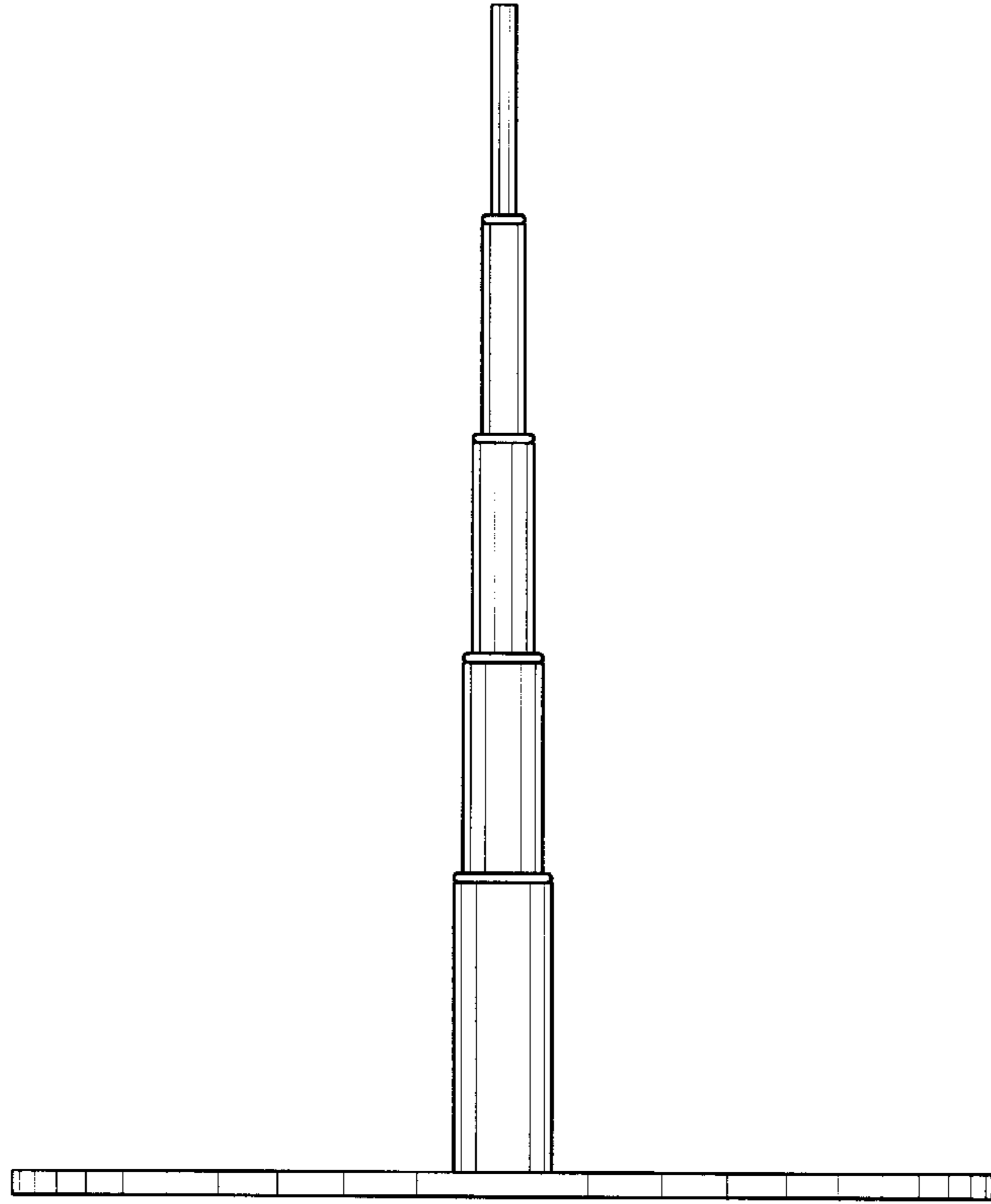


Fig. 3

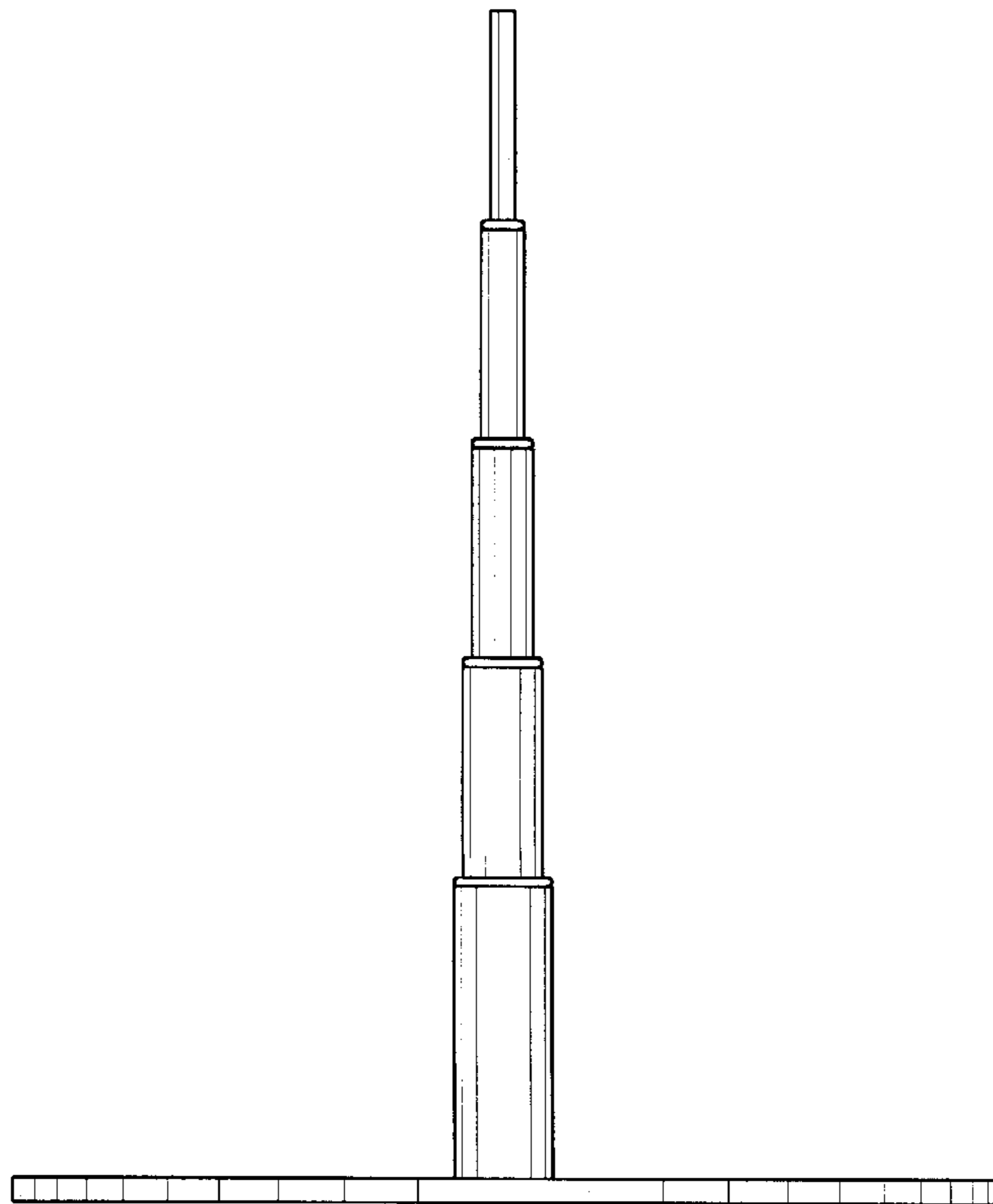


Fig. 4

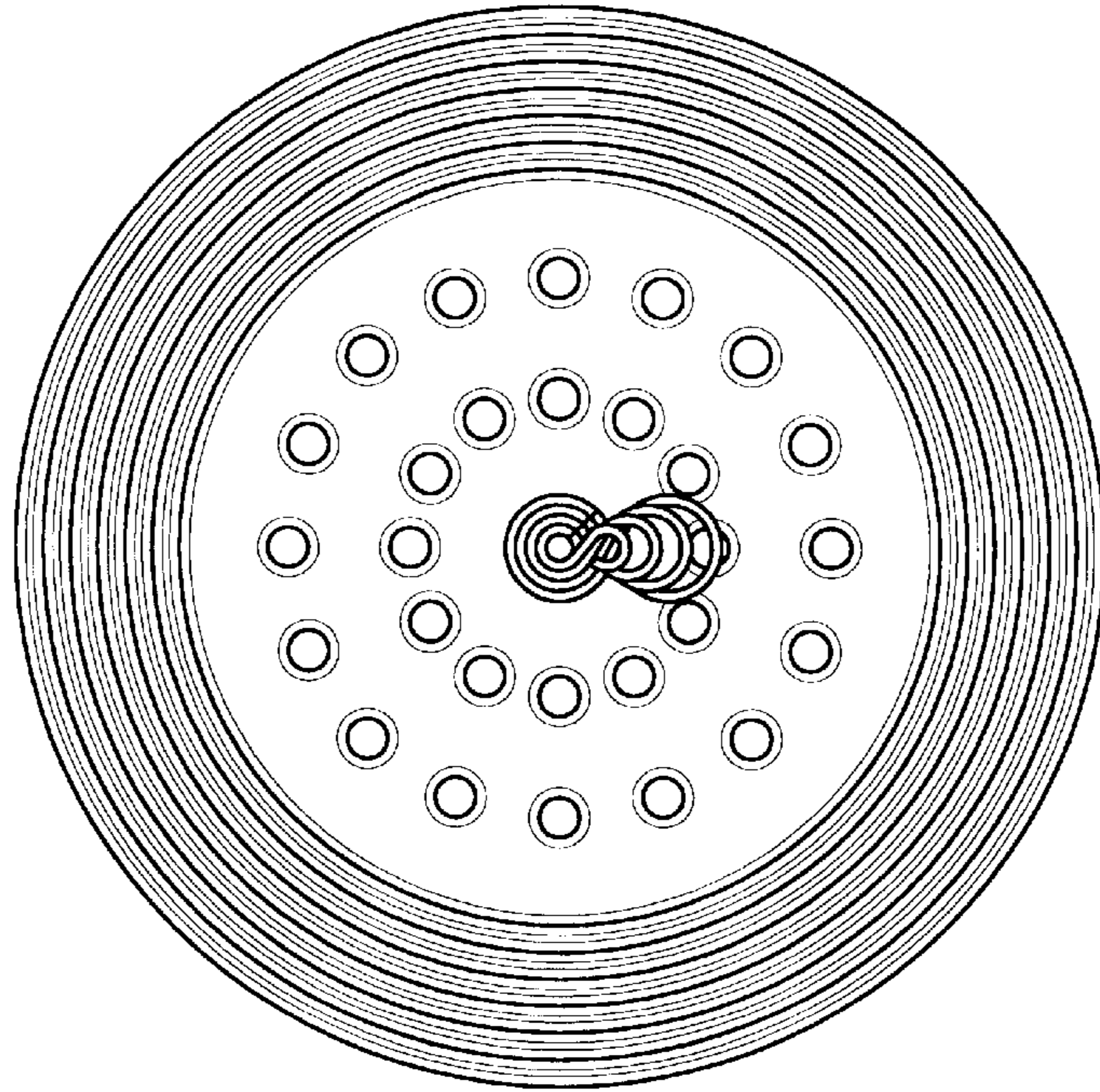


Fig. 5

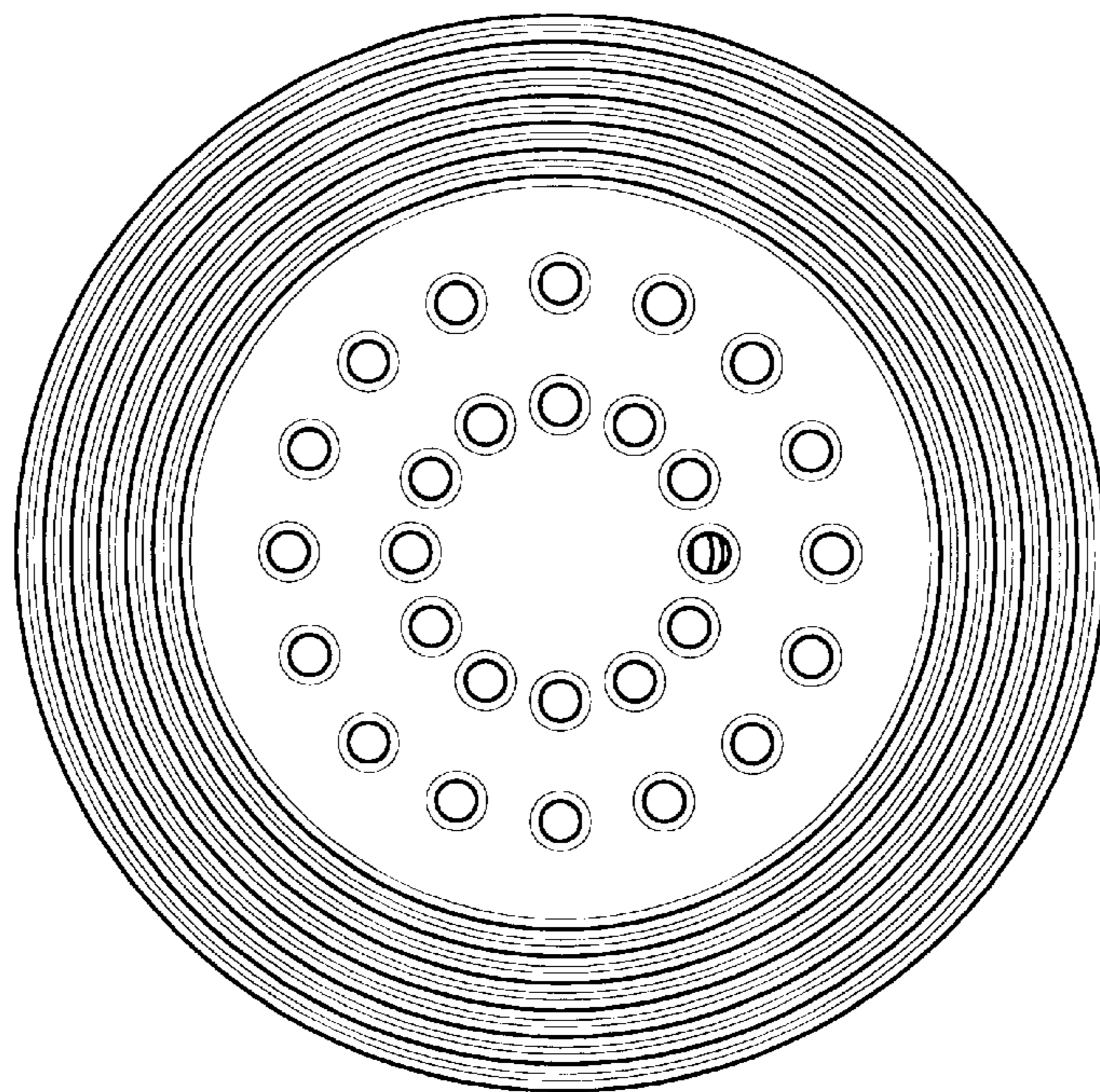


Fig. 6