



US00D412815S

United States Patent [19]
Porter

[11] **Patent Number: Des. 412,815**

[45] **Date of Patent: ** Aug. 17, 1999**

[54] **CUTTING BOARD**

[76] Inventor: **Wendy J. Porter**, 2175 Winrock Dr.,
Houston, Tex. 77057

[**] Term: **14 Years**

[21] Appl. No.: **29/077,137**

[22] Filed: **Sep. 29, 1997**

[51] **LOC (6) Cl.** **07-04**

[52] **U.S. Cl.** **D7/698**

[58] **Field of Search** D7/698, 699, 637,
D7/638, 388, 550.1, 552.2, 554.3; 269/289 R,
294, 302.1, 309

[56] **References Cited**

U.S. PATENT DOCUMENTS

D. 55,238 5/1920 Berwick D7/698

D. 225,764 1/1973 Duecker D7/698
D. 337,024 7/1993 Stickel, III D7/698 X
4,907,789 3/1990 Tice 269/289 R X

Primary Examiner—Caron D. Veynar
Attorney, Agent, or Firm—James A. Bargfrede

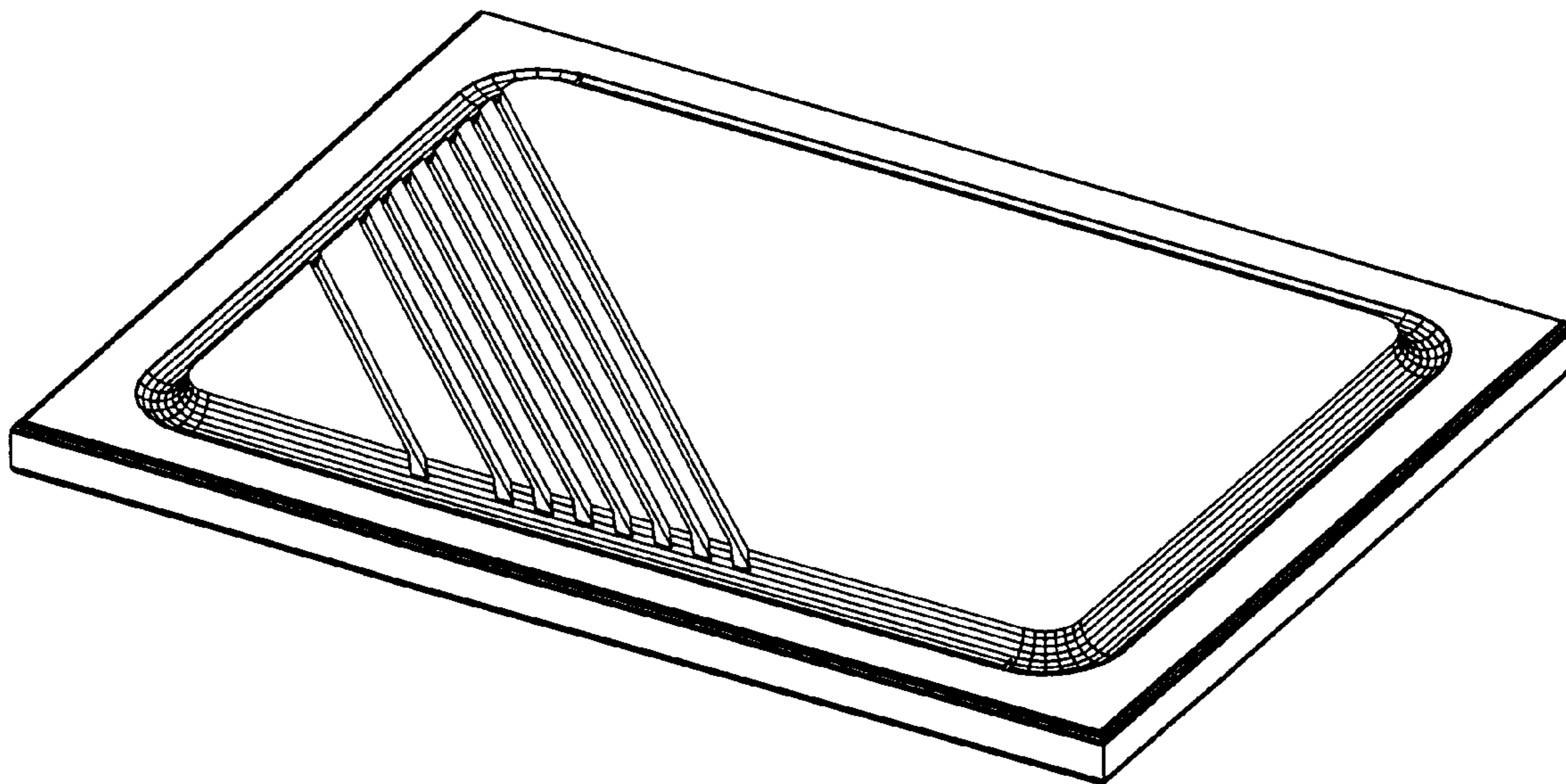
[57] **CLAIM**

The ornamental design for a cutting board, as shown.

DESCRIPTION

FIG. 1 is an upper, perspective view of the cutting board showing my new design;
FIG. 2 is a front, side elevational view of the cutting board shown in FIG. 1; and,
FIG. 3 is a top, plan view of the cutting board shown in FIG. 1.

1 Claim, 1 Drawing Sheet



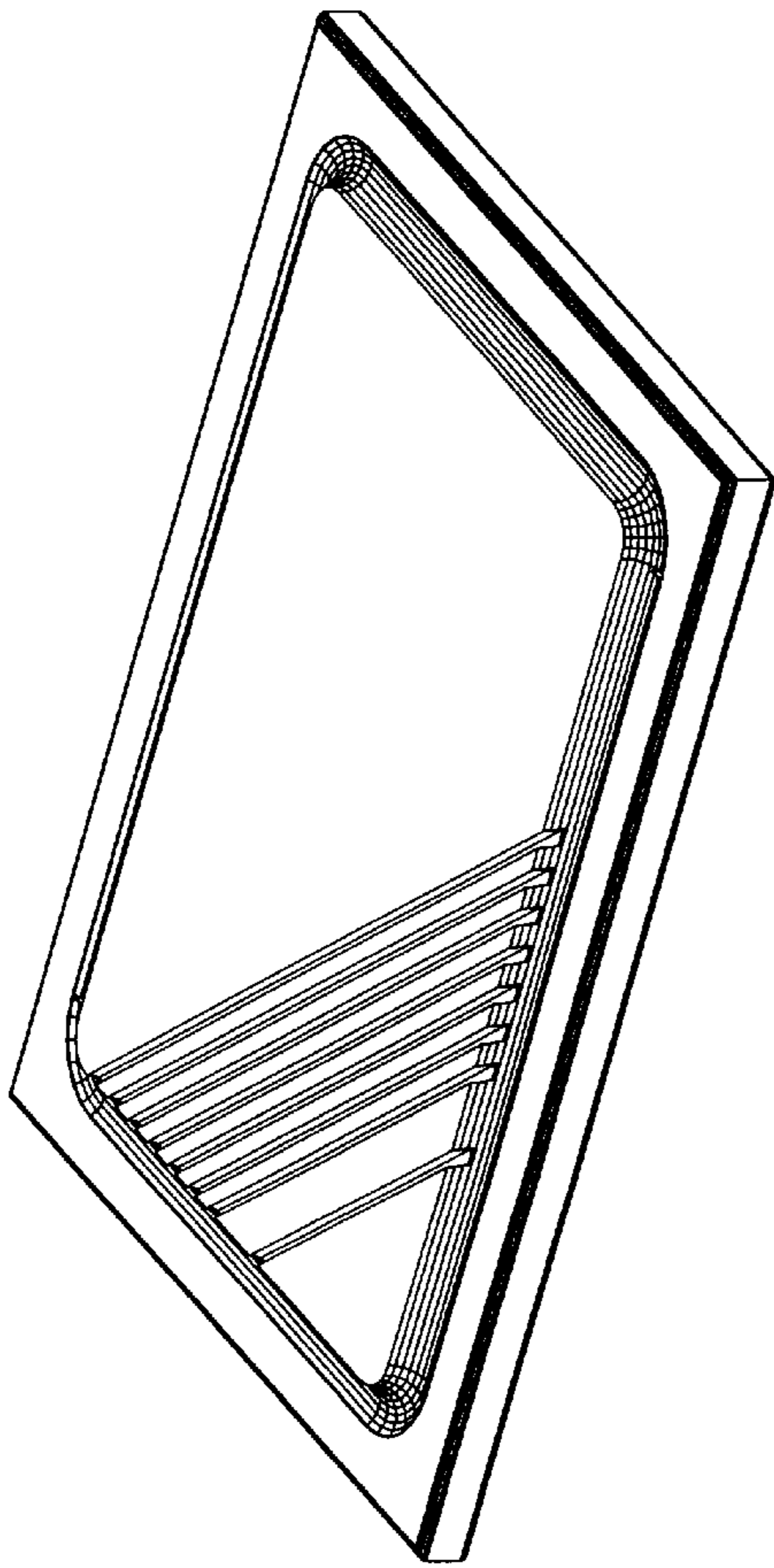


FIG. 1

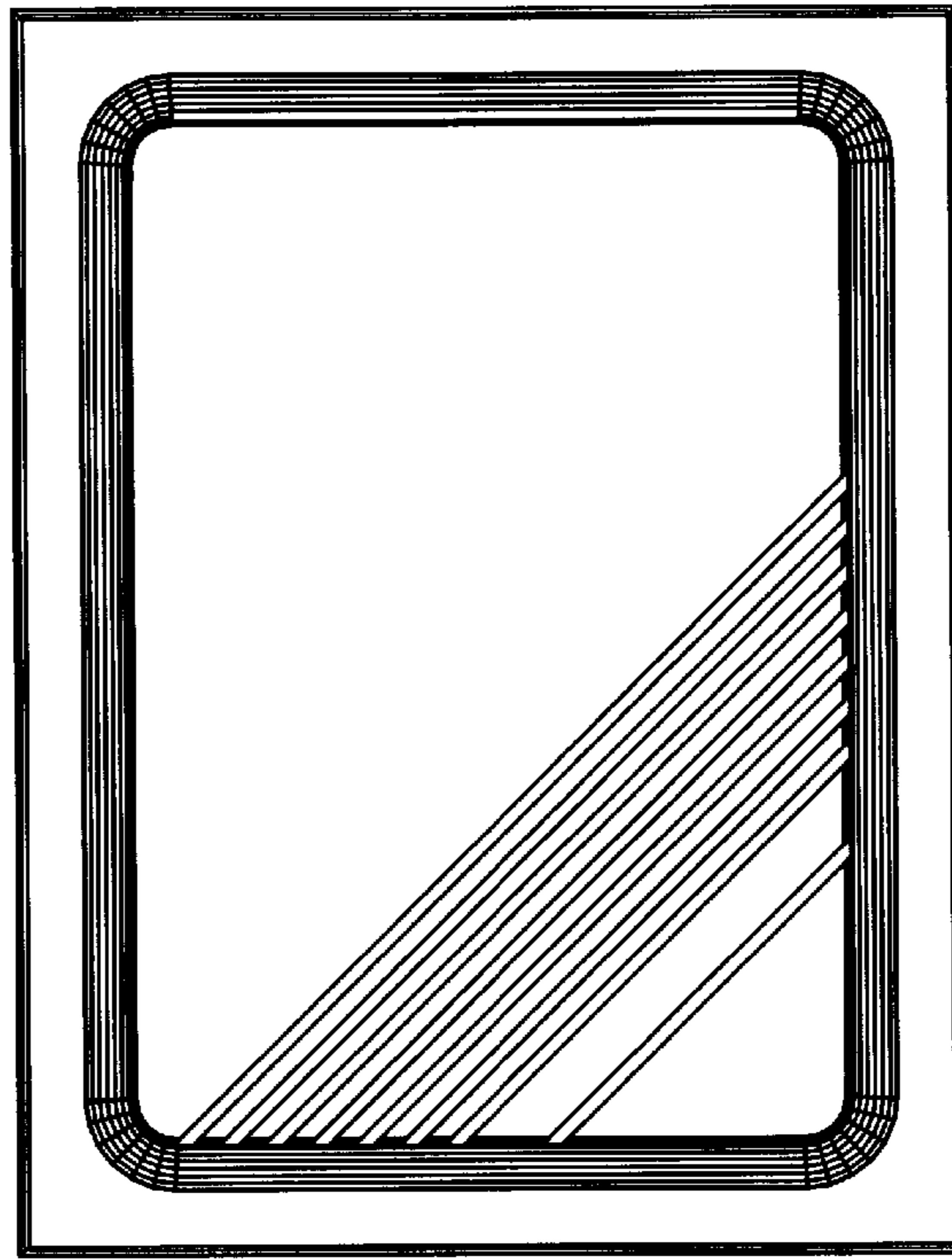


FIG. 3



FIG. 2