



US00D412814S

# United States Patent [19]

Fielding et al.

[11] **Patent Number: Des. 412,814**

[45] **Date of Patent: \*\* Aug. 17, 1999**

[54] **BARBECUE SPATULA**

[75] Inventors: **Douglas R. Fielding; Charles S. Adams**, both of Berkeley, Calif.

[73] Assignee: **Charcoal Companion, Inc.**, Oakland, Calif.

[\*\*] Term: **14 Years**

[21] Appl. No.: **29/091,852**

[22] Filed: **Aug. 5, 1998**

[51] **LOC (6) Cl.** ..... **07-02**

[52] **U.S. Cl.** ..... **D7/692**

[58] **Field of Search** ..... D7/682-696; 16/110 R, 16/111 R; 30/325, 327, 136, 169; 294/7, 8

[56] **References Cited**

**U.S. PATENT DOCUMENTS**

D. 182,346 3/1958 Wachter ..... D7/692 X

D. 298,792 12/1988 Tucker et al. .... D7/692  
D. 327,204 6/1992 Hunt ..... D7/692  
D. 392,851 3/1998 Zeller ..... D7/692

*Primary Examiner*—Terry A. Wallace  
*Attorney, Agent, or Firm*—Owen, Wickersham & Erickson, P.C.

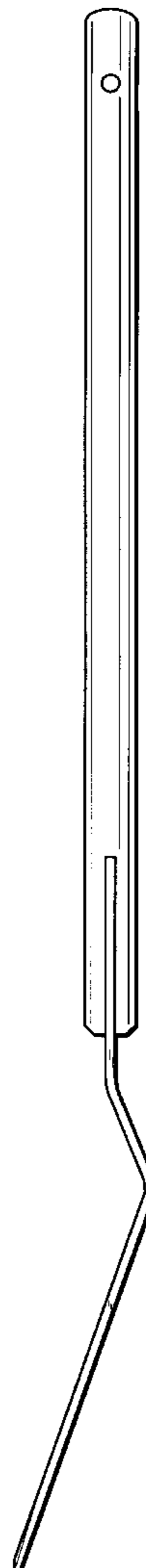
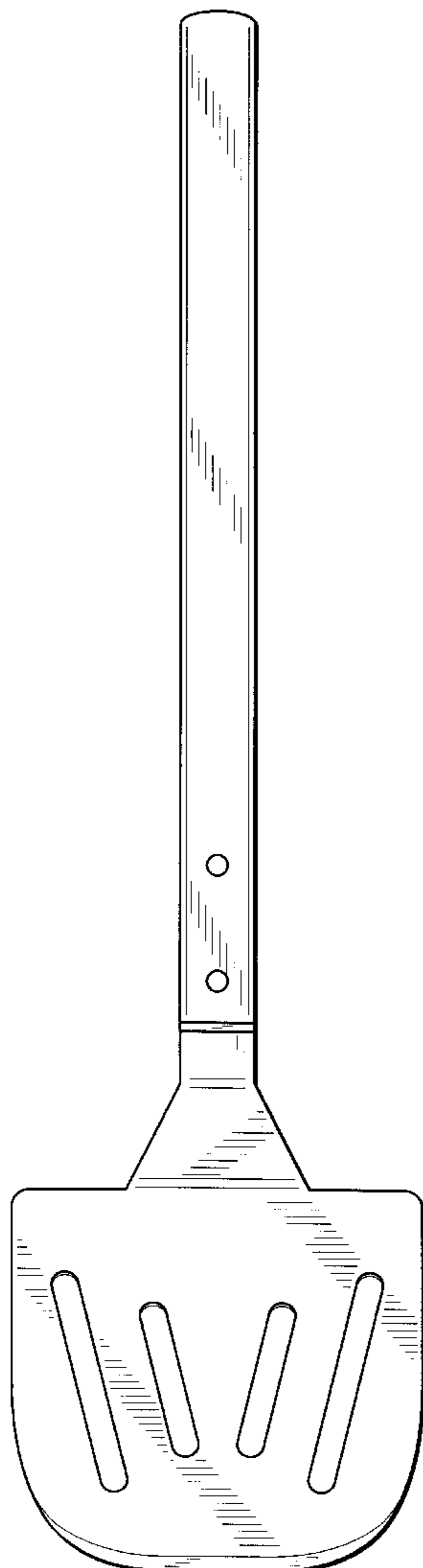
[57] **CLAIM**

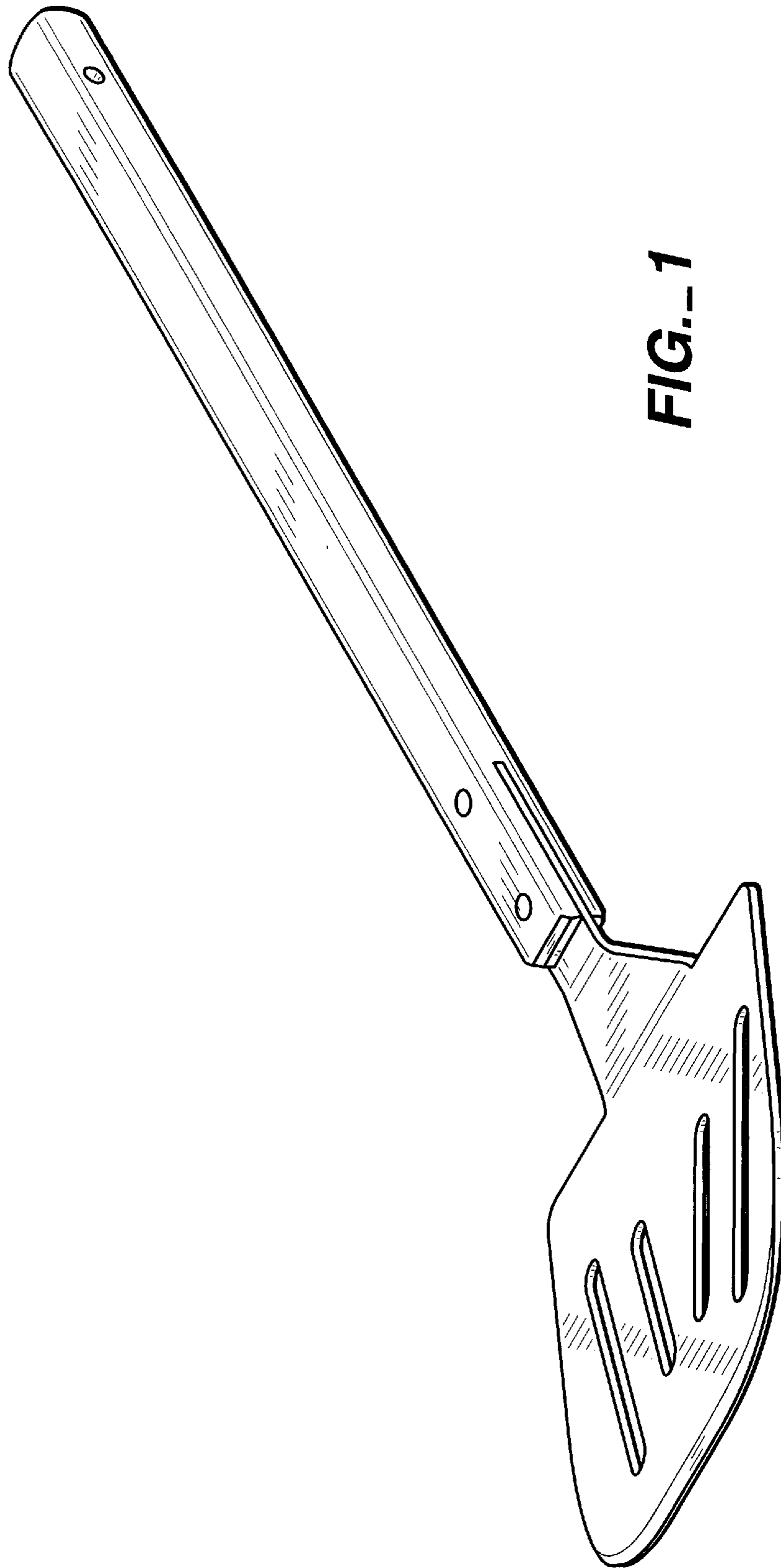
The ornamental design for barbecue spatula, as shown and described.

**DESCRIPTION**

FIG. 1 is a view in perspective of a barbecue spatula embodying our new design;  
FIG. 2 is a front elevational view thereof;  
FIG. 3 is a right side elevational view thereof; the left side is a mirror image thereof;  
FIG. 4 is a rear elevational view thereof;  
FIG. 5 is a top plan view thereof; and,  
FIG. 6 is a bottom plan view thereof.

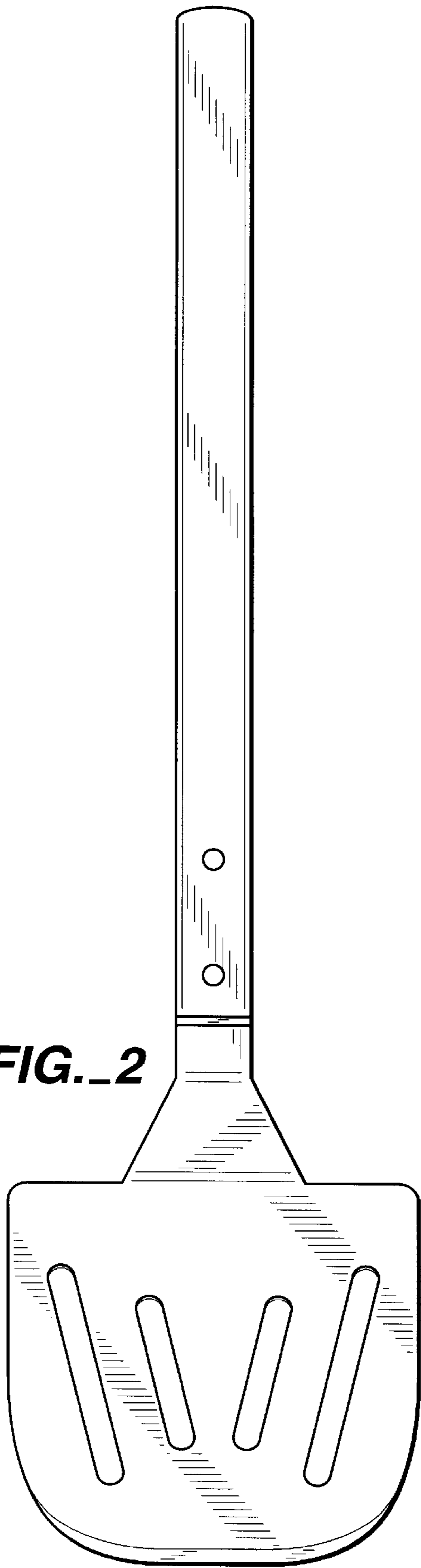
**1 Claim, 3 Drawing Sheets**



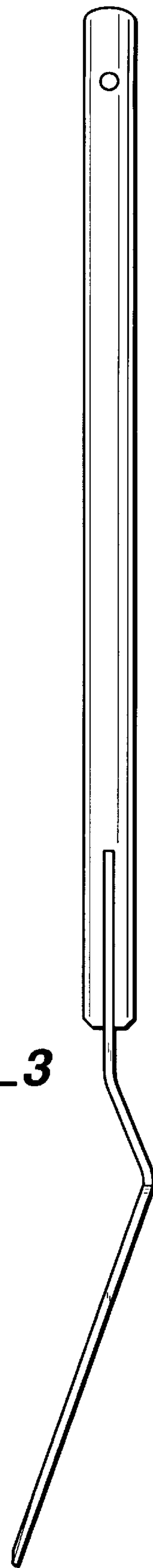


**FIG. 1**

**FIG.\_2**



**FIG.\_3**



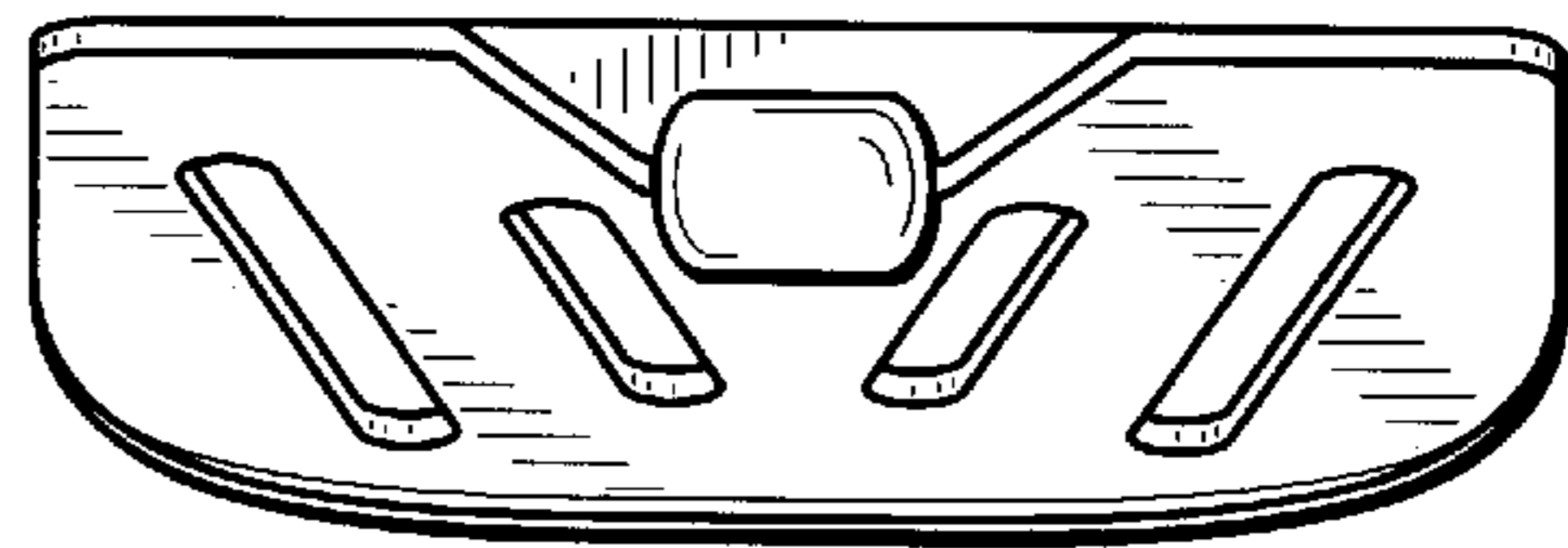
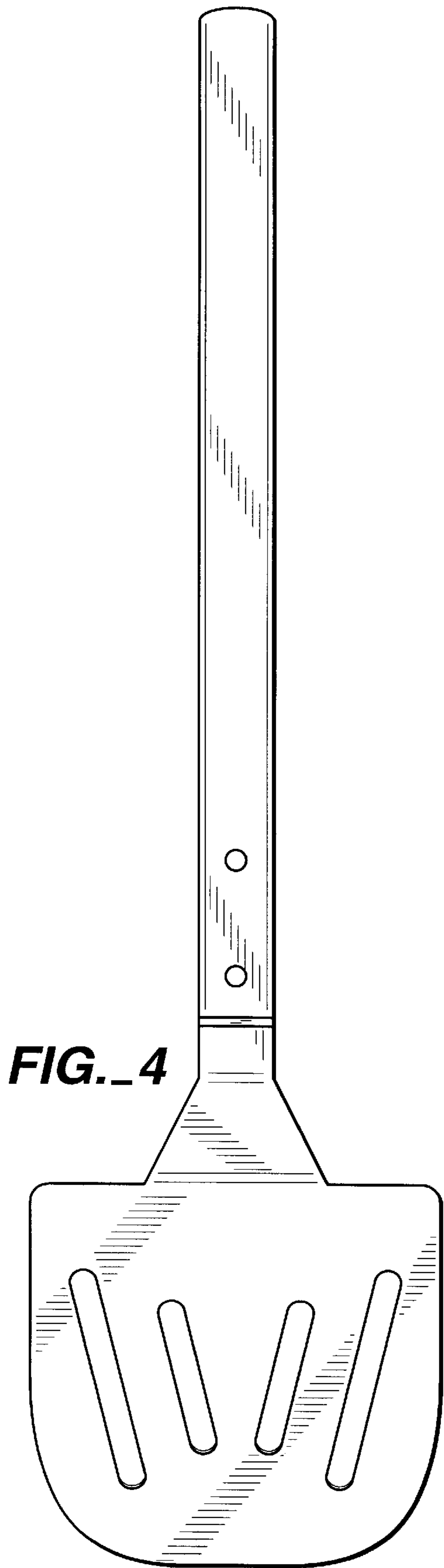


FIG. 5

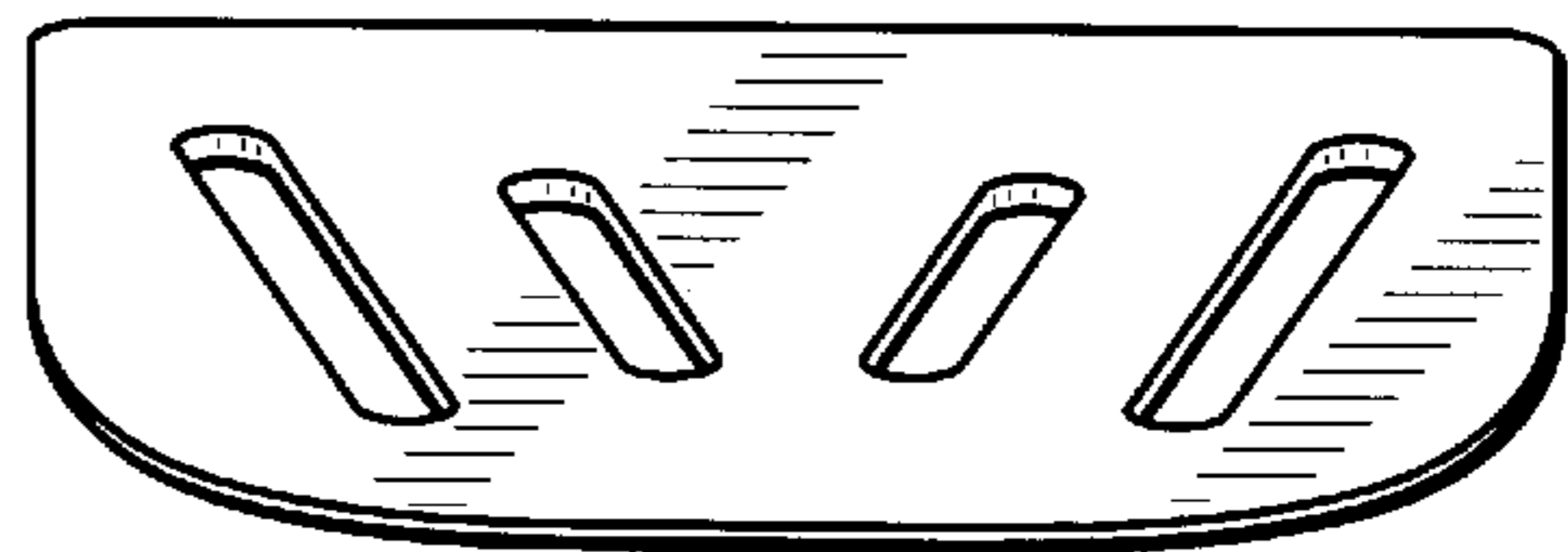


FIG. 6