



US00D412811S

United States Patent [19] Rotta

[11] **Patent Number: Des. 412,811**
[45] **Date of Patent: ** Aug. 17, 1999**

[54] **CUP**
[75] **Inventor: Gianni Rotta, Rueil Malmaison, France**
[73] **Assignee: Good Humor-Breyers Ice Cream, Green Bay, Wis.**
[**] **Term: 14 Years**
[21] **Appl. No.: 29/072,388**
[22] **Filed: Jun. 16, 1997**

[51] **LOC (6) Cl. 07-01**
[52] **U.S. Cl. D7/540; D7/545; D7/538**
[58] **Field of Search D7/540, 511, 586, D7/543, 566, 568, 570, 584, 587, 538, 542, 545, 548, 550, 565, 354, 360, 602, 608, 614, 605, 629; 220/574, 606, 212, 278**

[56] **References Cited**
U.S. PATENT DOCUMENTS

D. 175,753	10/1955	Barnhart	D7/540
D. 241,399	9/1976	Christian	D7/540
D. 242,495	11/1976	Montgomery	D7/565 X
D. 244,246	5/1977	Daenen	D7/540
D. 281,754	12/1985	Trombly	D7/540

D. 329,782	9/1992	Narsutis	D7/629
D. 332,897	2/1993	Bucher et al.	D7/629
D. 336,596	6/1993	Osgood et al.	D7/608
D. 344,210	2/1994	Cousins et al.	D7/538
D. 350,843	9/1994	Van Valkenburg et al.	D7/614
D. 353,303	12/1994	Davis	D7/542
D. 358,302	5/1995	Van Valkenburg et al.	D7/614
D. 380,124	6/1997	Kato et al.	D7/605
D. 394,189	5/1998	Reynaert et al.	D7/584
5,082,136	1/1992	Schumann	220/278
5,392,948	2/1995	Mc Entes	220/669

Primary Examiner—M. N. Pandozzi
Attorney, Agent, or Firm—James J. Farrell

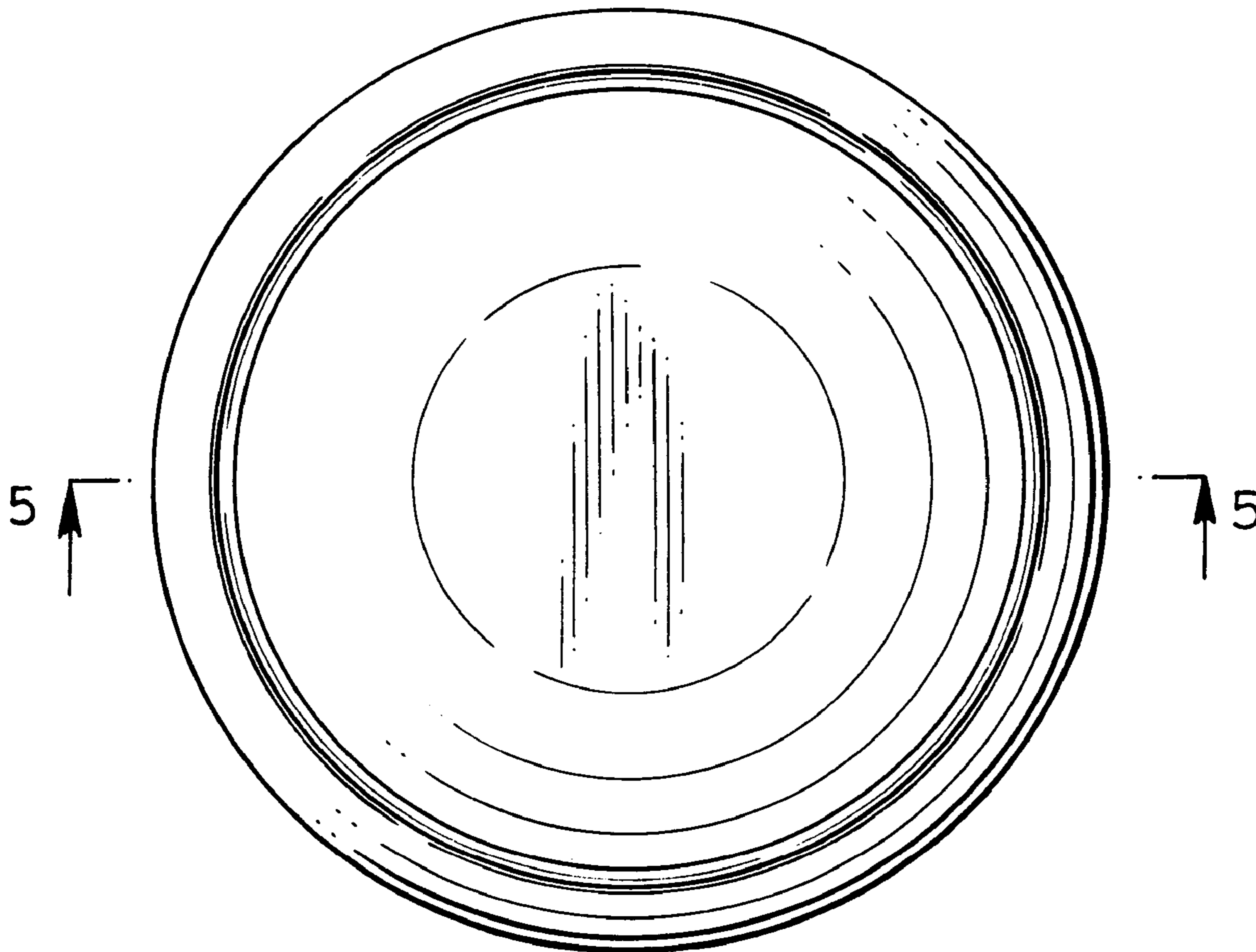
[57] **CLAIM**

What is claimed is the ornamental design for a cup, as shown and described.

DESCRIPTION

FIG. 1 is a top front perspective view of a cup showing my new design;
FIG. 2 is a rear elevational view thereof;
FIG. 3 is a top plan view thereof;
FIG. 4 is a bottom plan view thereof; and,
FIG. 5 is a sectional view taken along line 5—5 of FIG. 3.

1 Claim, 3 Drawing Sheets



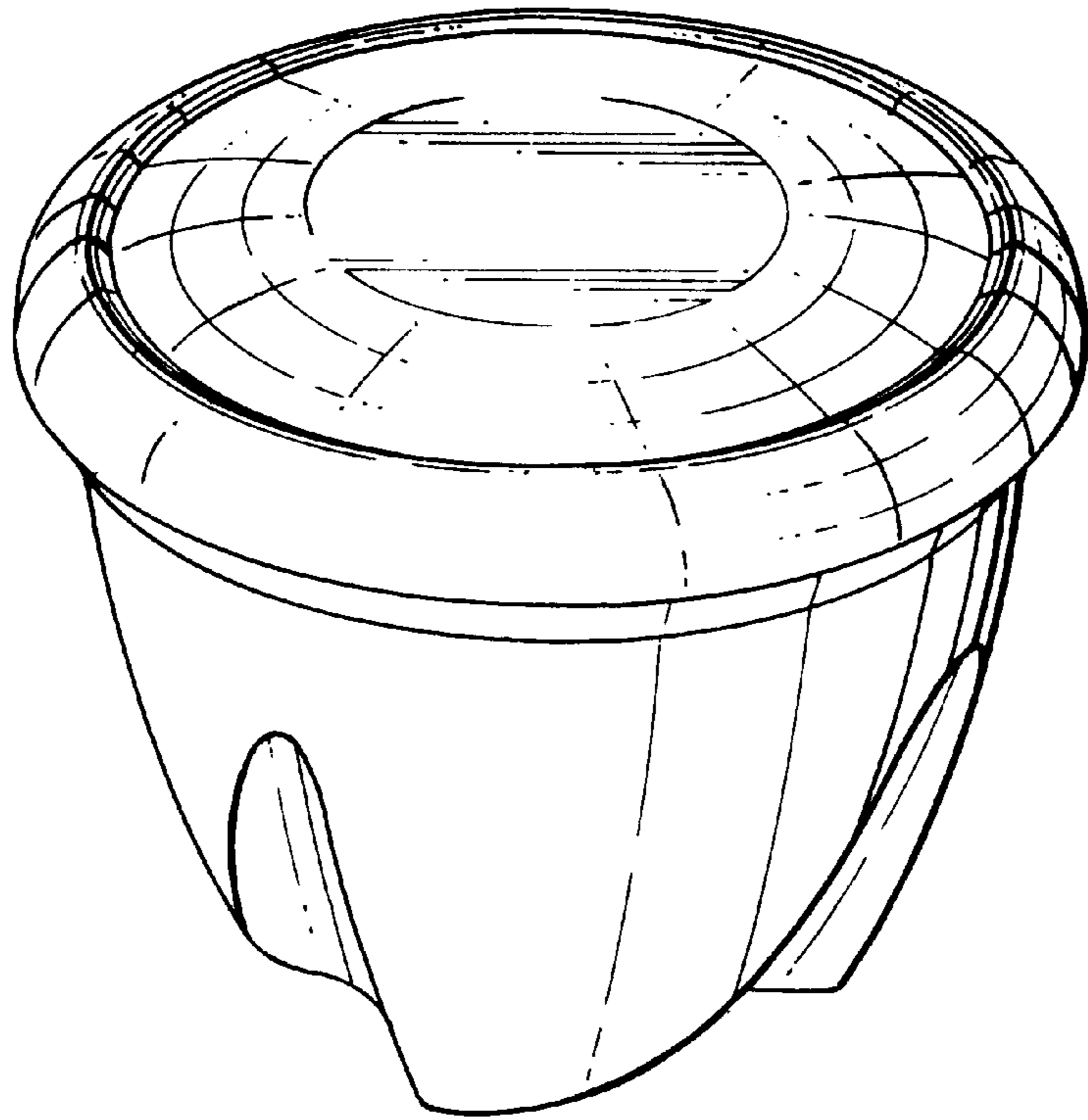


Fig. 1.

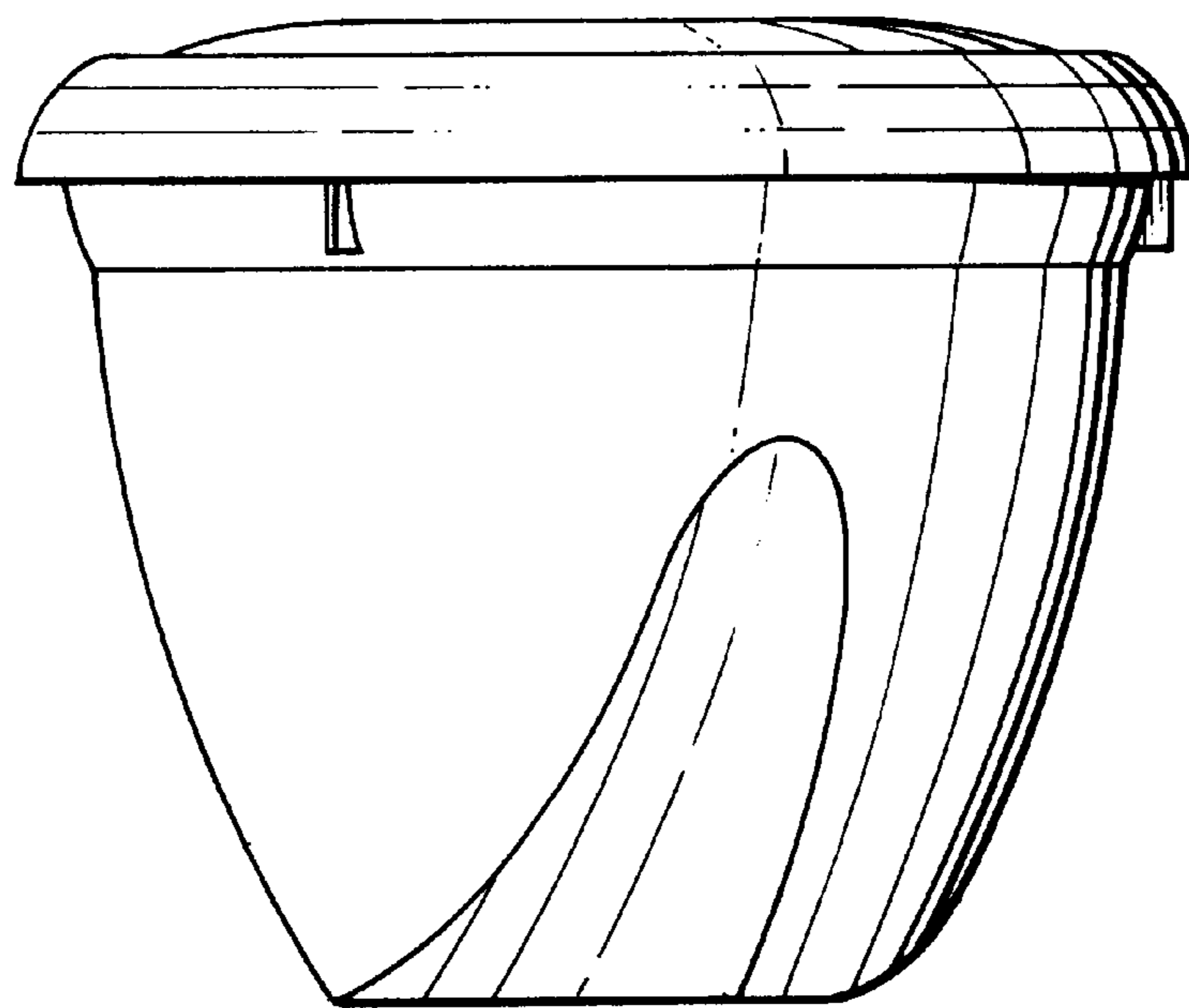


Fig. 2.

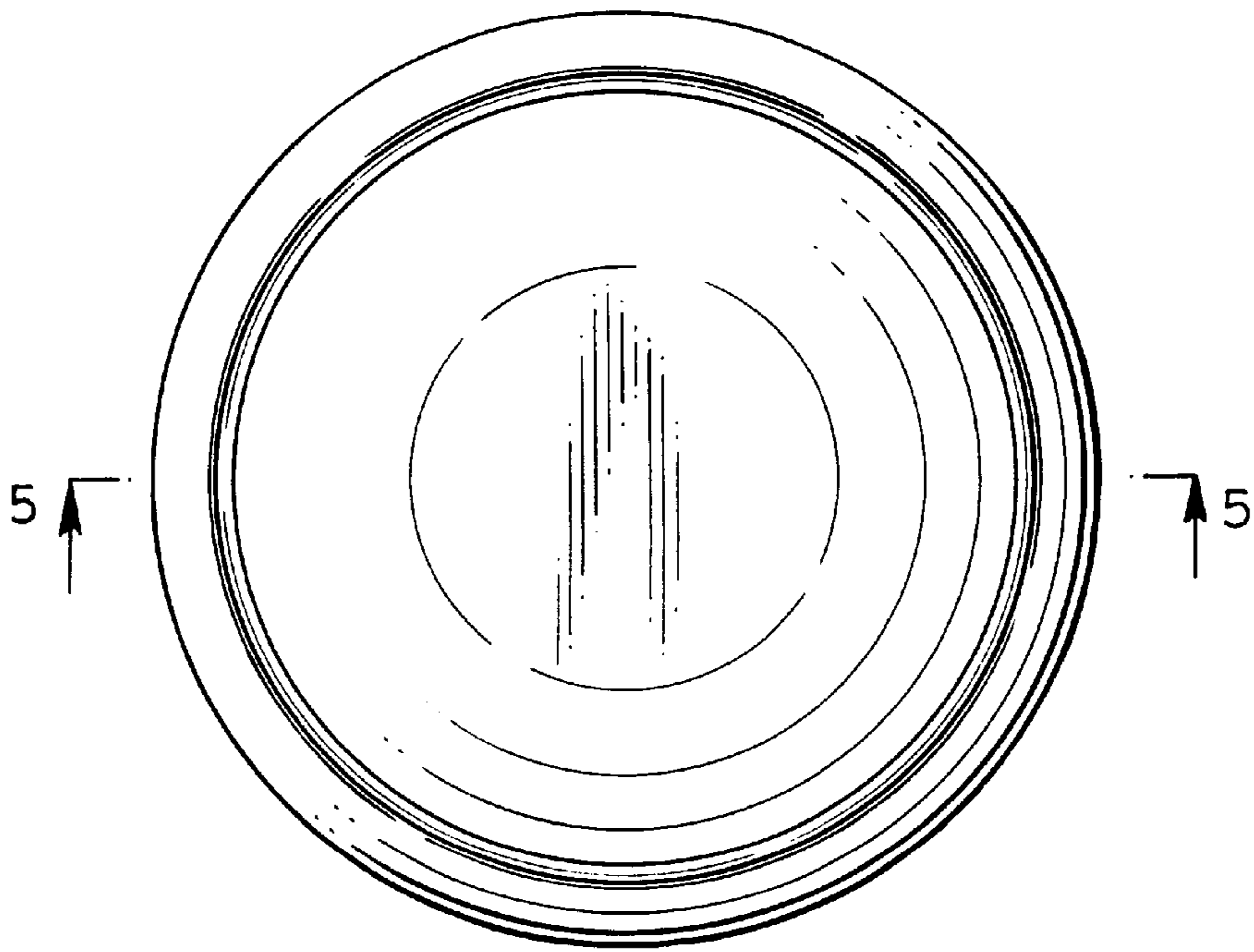


Fig.3.

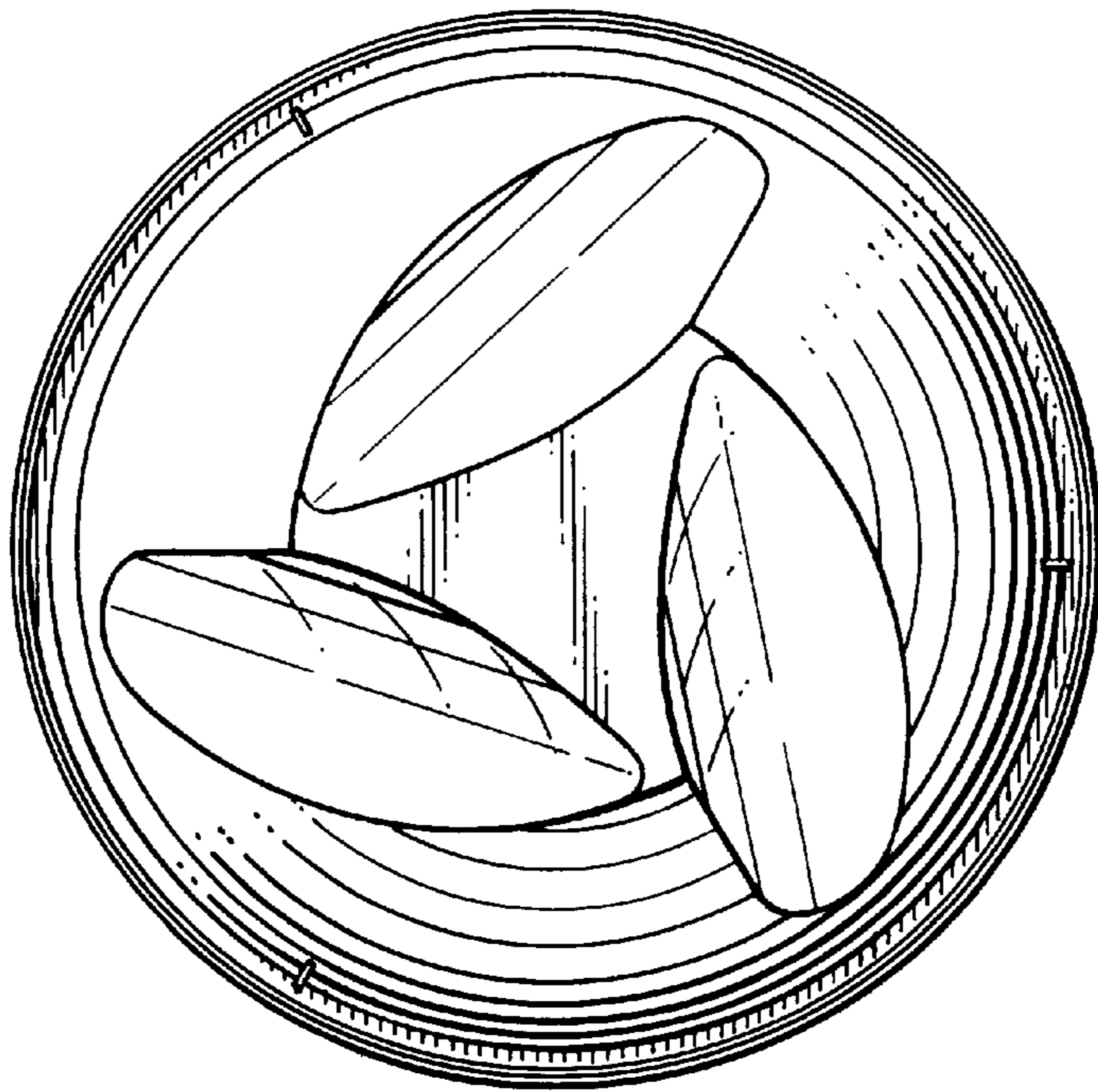


Fig.4.

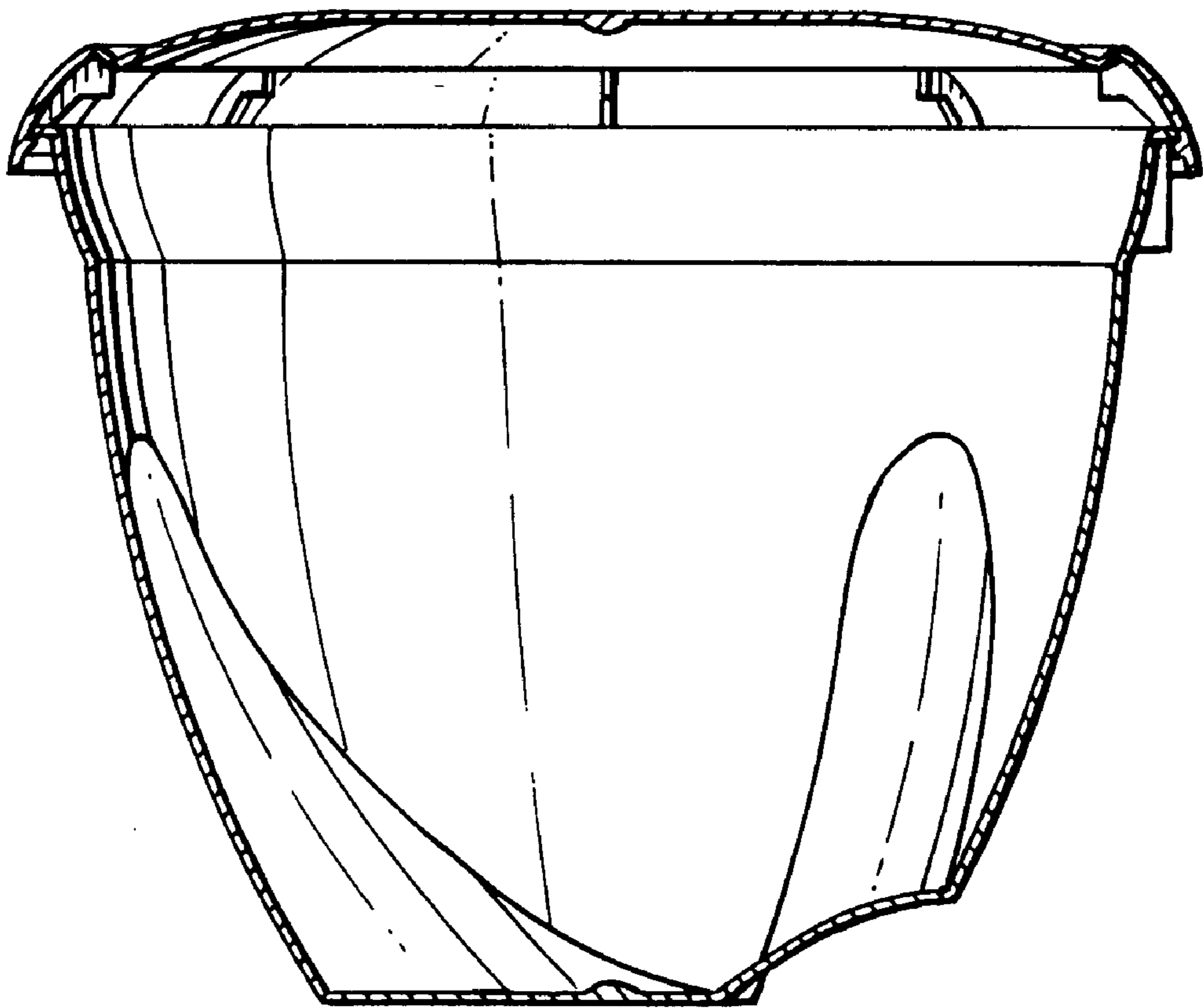


Fig.5.