



US00D412809S

United States Patent [19]

[11] **Patent Number: Des. 412,809**

Toro et al.

[45] **Date of Patent: ** Aug. 17, 1999**

[54] **BLENDER**

D. 394,986 6/1998 Lallemand D7/378
D. 403,202 12/1998 Cousins D7/378

[75] Inventors: **Joseph Toro**, Stratford; **Bernard Heitz**, Collinsville; **David W. Kaiser**, North Haven; **Eric Price**, New Britain; **Chris Hageman**, Moodus; **Stuart Naft**, Fairfield, all of Conn.

Primary Examiner—Caron D. Veynar
Attorney, Agent, or Firm—Barry E. Deutsch

[73] Assignee: **HP Intellectual Corp.**, Wilmington, Del.

[57] **CLAIM**

The ornamental design for a blender, as shown and described.

[**] Term: **14 Years**

DESCRIPTION

[21] Appl. No.: **29/082,824**

FIG. 1 is a perspective view taken from the top, front and left side of a blender showing our new design;
FIG. 2 is a front elevational view thereof;
FIG. 3 is a right side elevational view thereof, with the left side elevational view being a mirror image of the illustrated right side elevational view;
FIG. 4 is a rear elevational view thereof;
FIG. 5 is a bottom plan view thereof; and,
FIG. 6 is a top plan view thereof.

[22] Filed: **Jan. 9, 1998**

[51] **LOC (6) Cl.** **31-00**

[52] **U.S. Cl.** **D7/378**

[58] **Field of Search** D7/376, 378, 386,
D7/413; 366/129, 197, 205

[56] **References Cited**

U.S. PATENT DOCUMENTS

D. 187,684 4/1960 Hauser D7/386

1 Claim, 5 Drawing Sheets

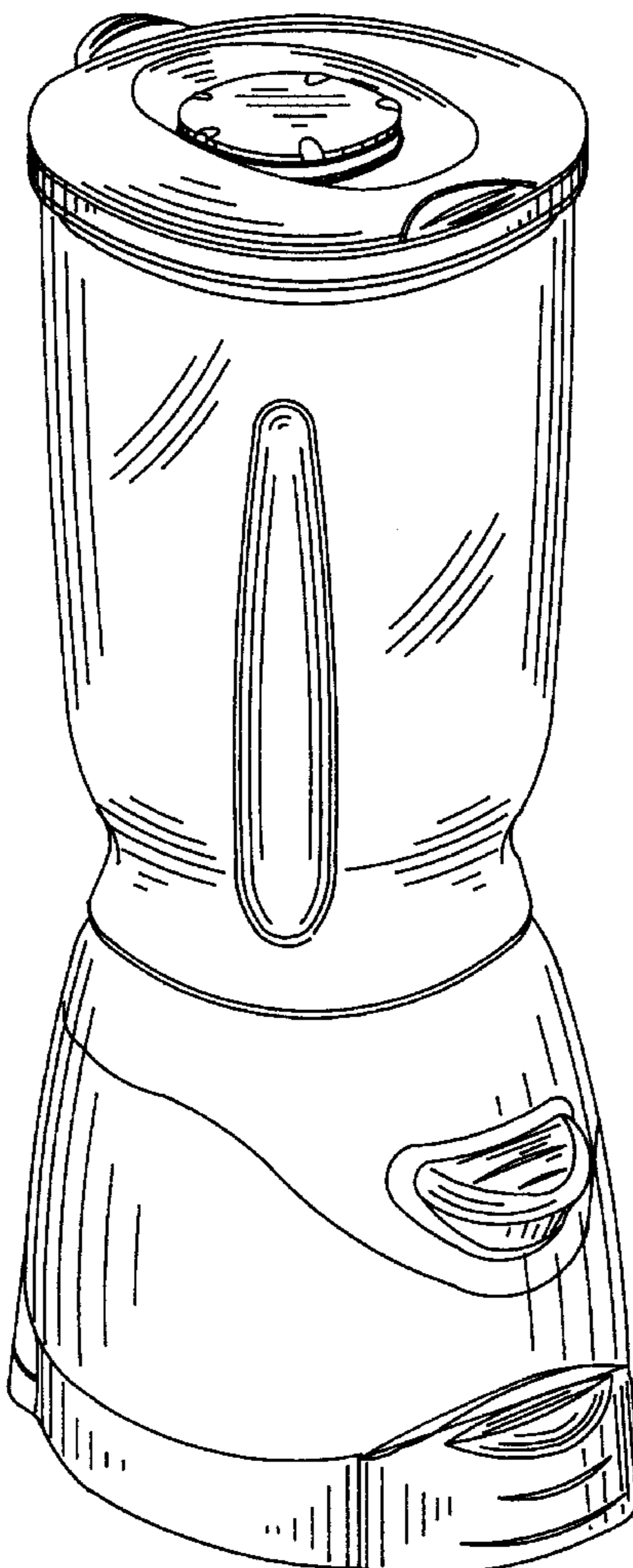


FIG. 1

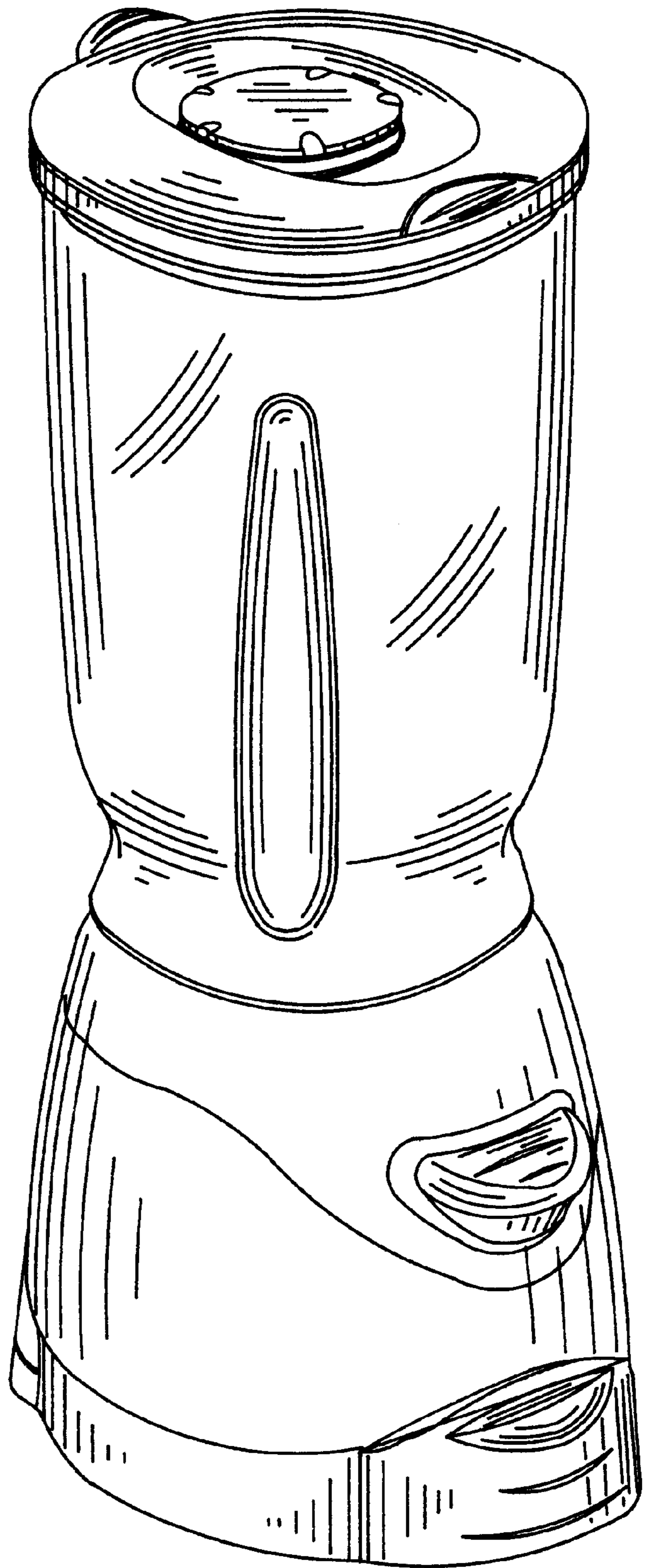


FIG. 2

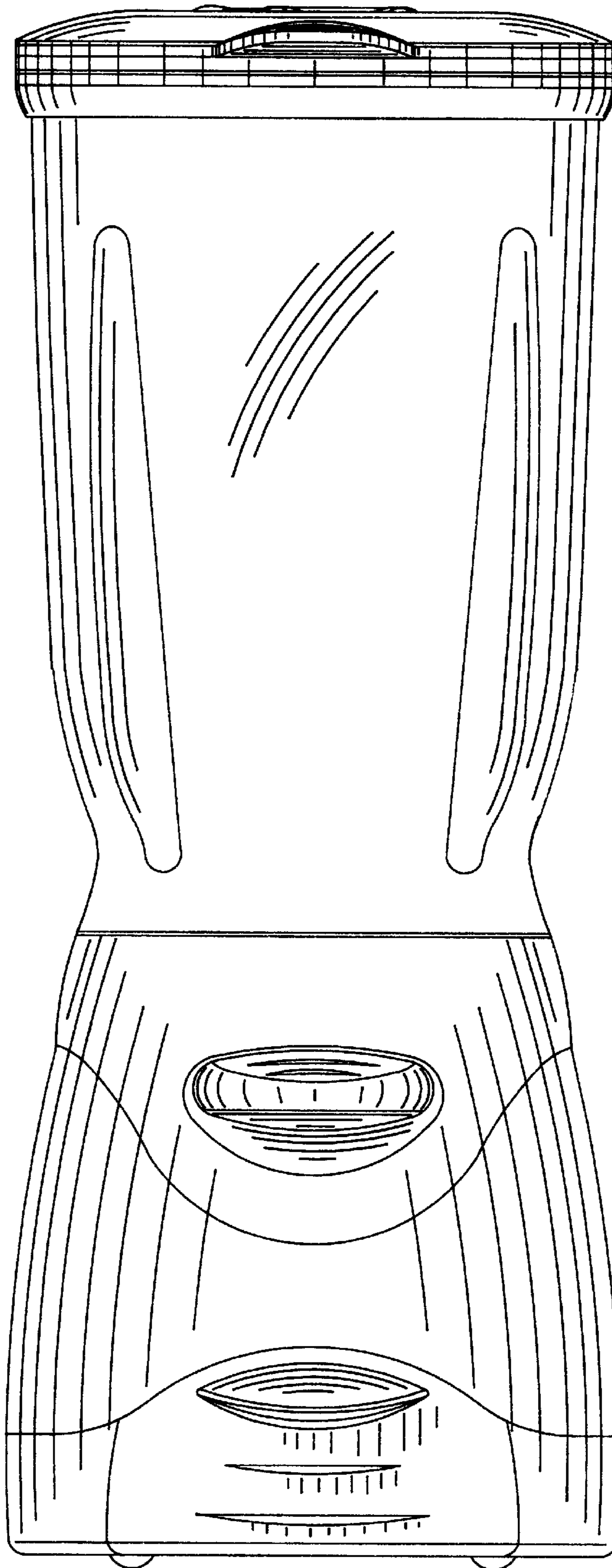


FIG. 3

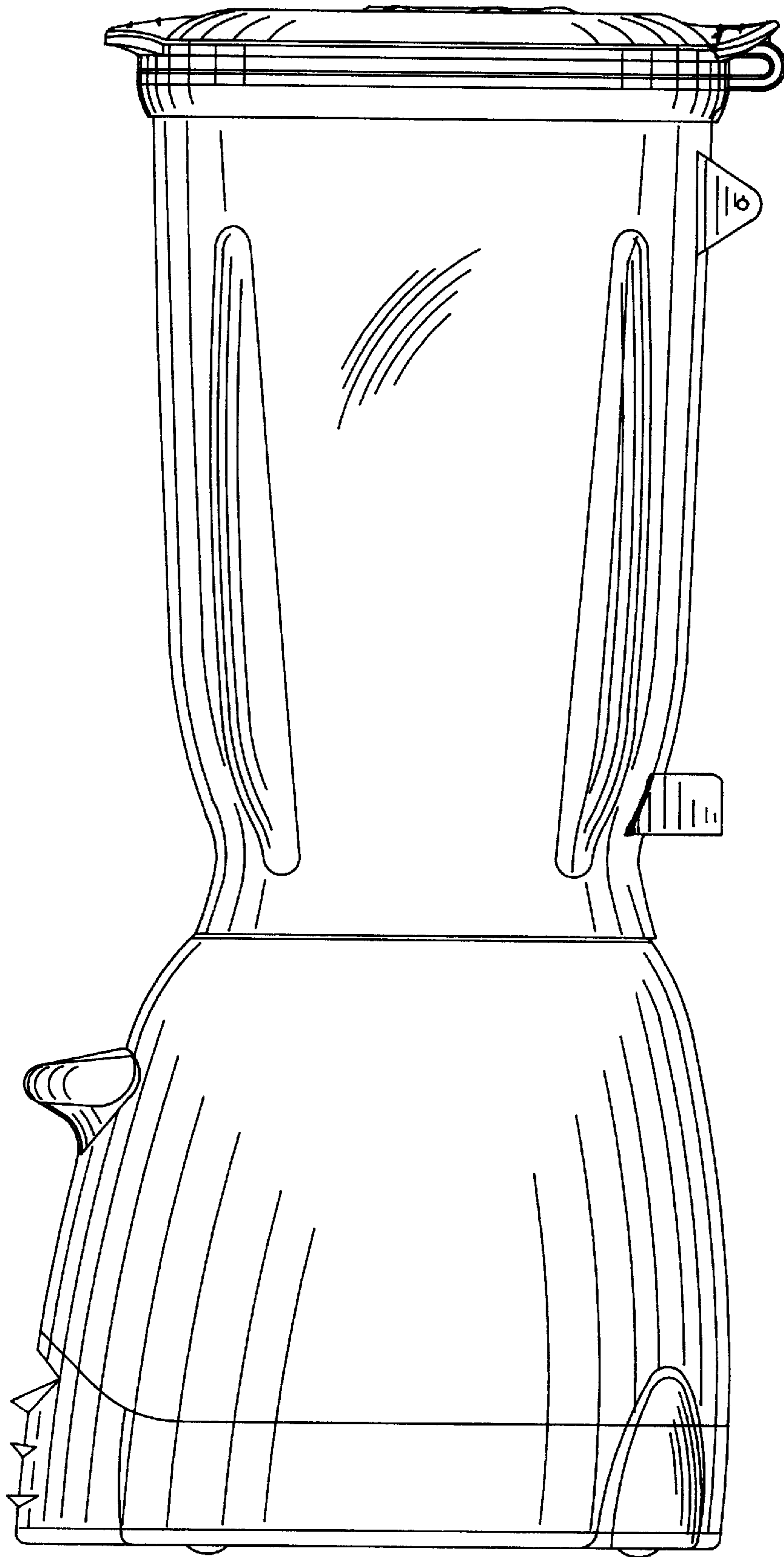


FIG. 4

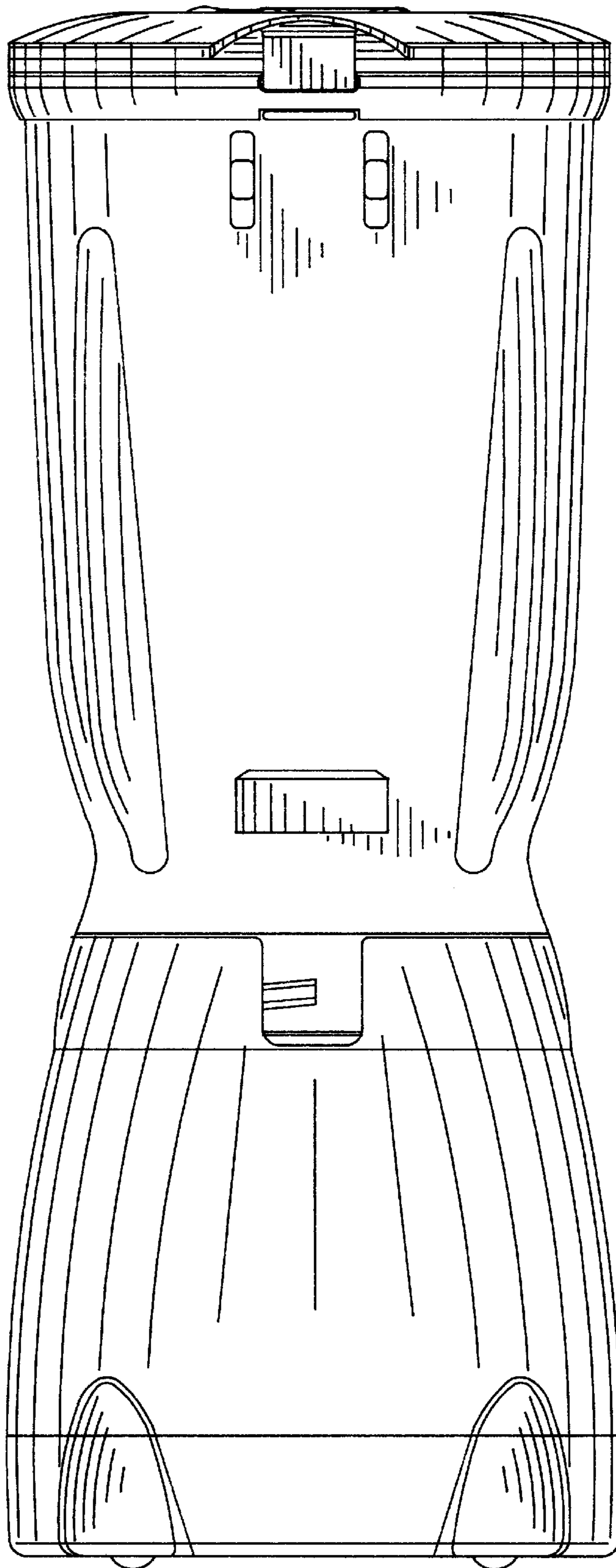


FIG. 5

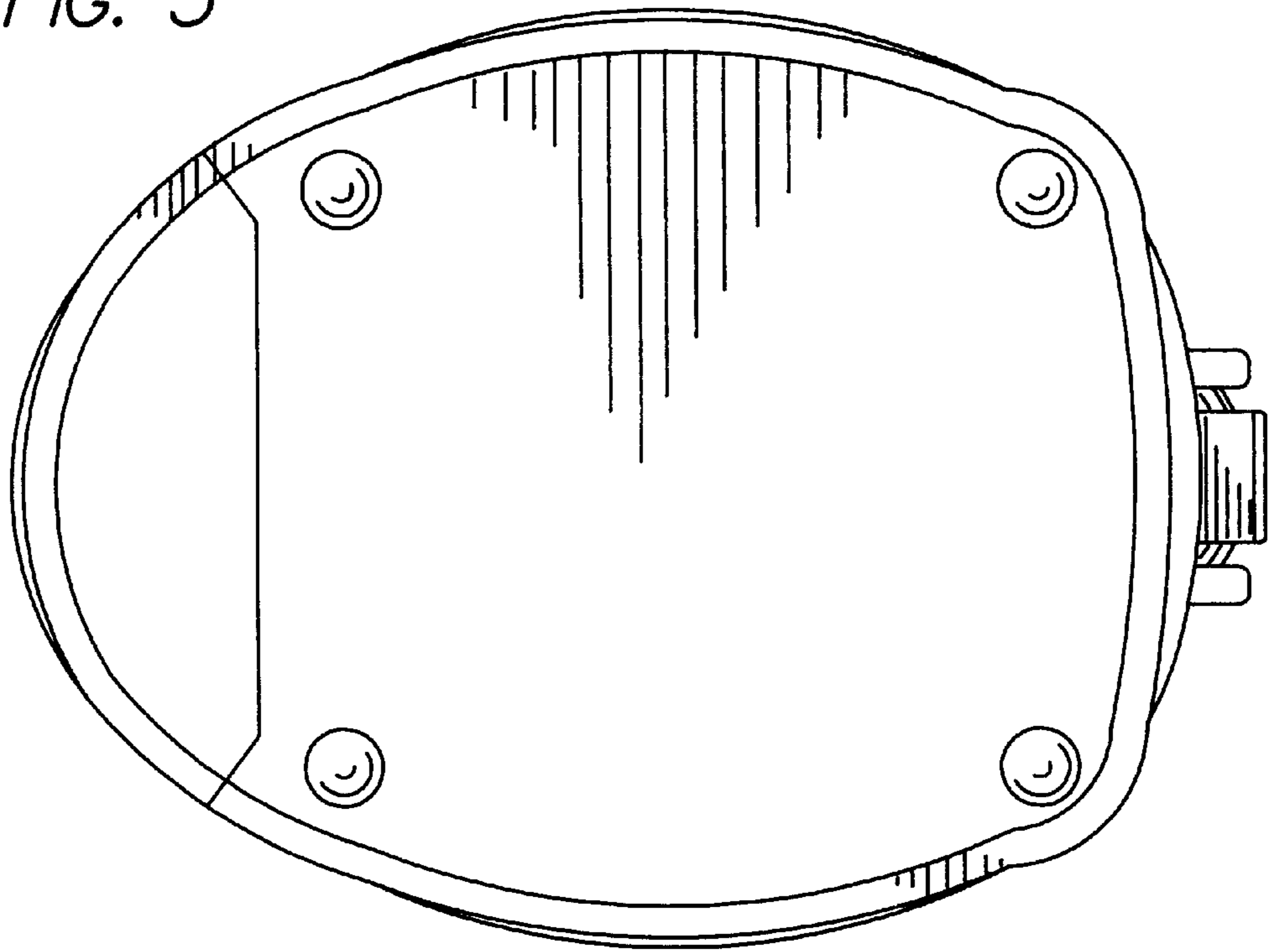


FIG. 6

