



US00D412804S

# United States Patent [19] Romeo

[11] **Patent Number: Des. 412,804**

[45] **Date of Patent: \*\* Aug. 17, 1999**

[54] **DISPLAY MOUNTING FOR TOOL HOLDERS**

D. 313,916 1/1991 Ballard ..... D6/553 X  
D. 336,726 6/1993 Paulin et al. .... D6/549

[75] Inventor: **Vincent S. Romeo**, Corona, Calif.

*Primary Examiner*—Brian N. Vinson  
*Attorney, Agent, or Firm*—Robert R. Thornton

[73] Assignee: **Alltrade Inc.**, Long Beach, Calif.

[\*\*] Term: **14 Years**

[57] **CLAIM**

[21] Appl. No.: **29/101,854**

The ornamental design for a display mounting for tool holders, as shown and described.

[22] Filed: **Mar. 12, 1999**

**DESCRIPTION**

### Related U.S. Application Data

FIG. 1 is a perspective view of a display mounting for tool holders showing my new design, and containing a plurality of tool holders mounted thereon;  
FIG. 2 is a top plan view thereof;  
FIG. 3 is a bottom plan view thereof;  
FIG. 4 is a front elevational view thereof;  
FIG. 5 is a left side elevational view thereof, the right side being a mirror image thereof; and,  
FIG. 6 is a rear elevational view thereof.

[62] Division of application No. 29/094,702, Oct. 8, 1998.

[51] **LOC (6) Cl.** ..... **08-08**

[52] **U.S. Cl.** ..... **D6/567**

[58] **Field of Search** ..... D6/553, 567, 549,  
D6/566; 211/13.1, 60.1, 66, 70.6, 71, 72,  
86-89, 123-124

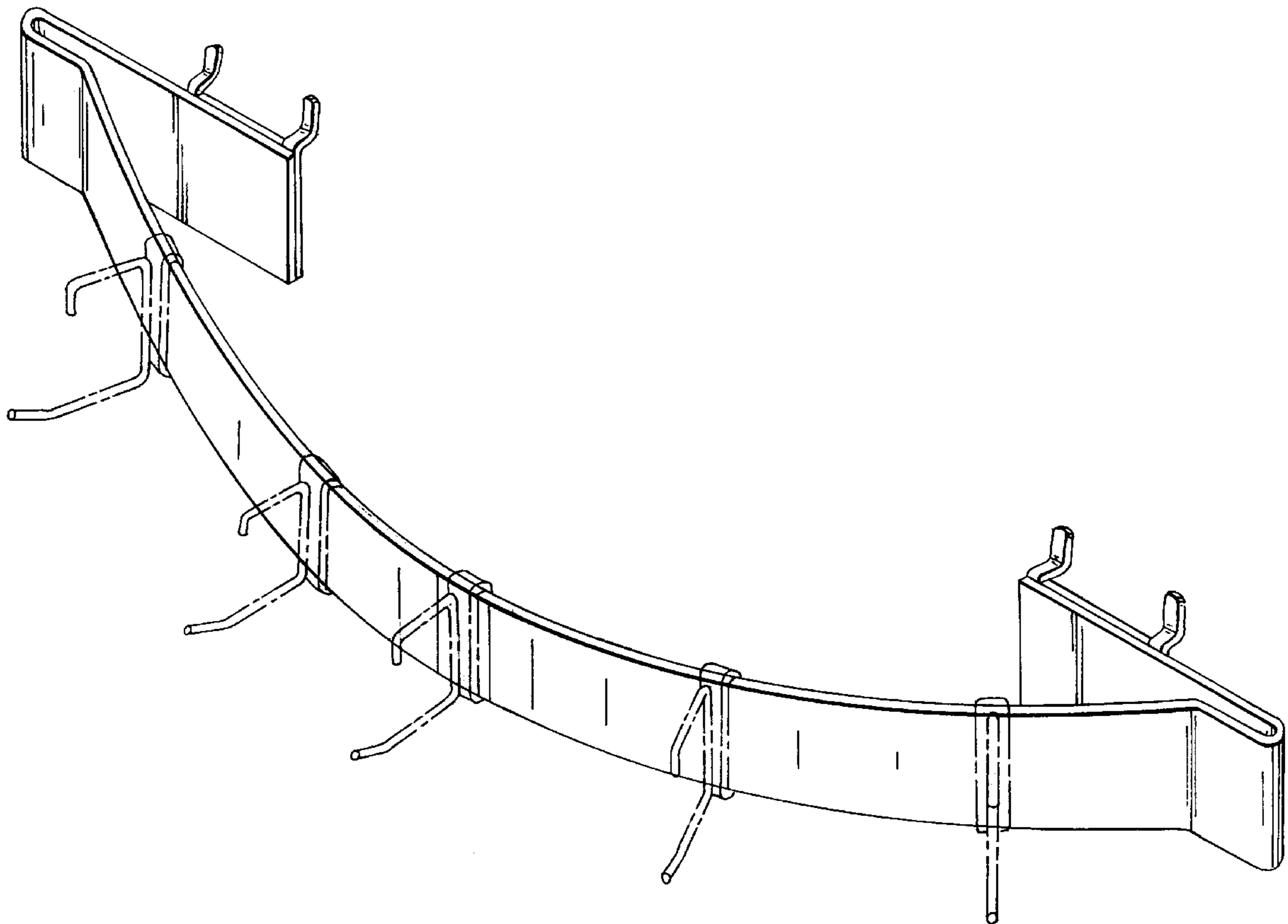
The lining showing the plurality of tool holders in FIGS. 1 through 6 is for illustrative purposes only and forms no part of the claimed design.

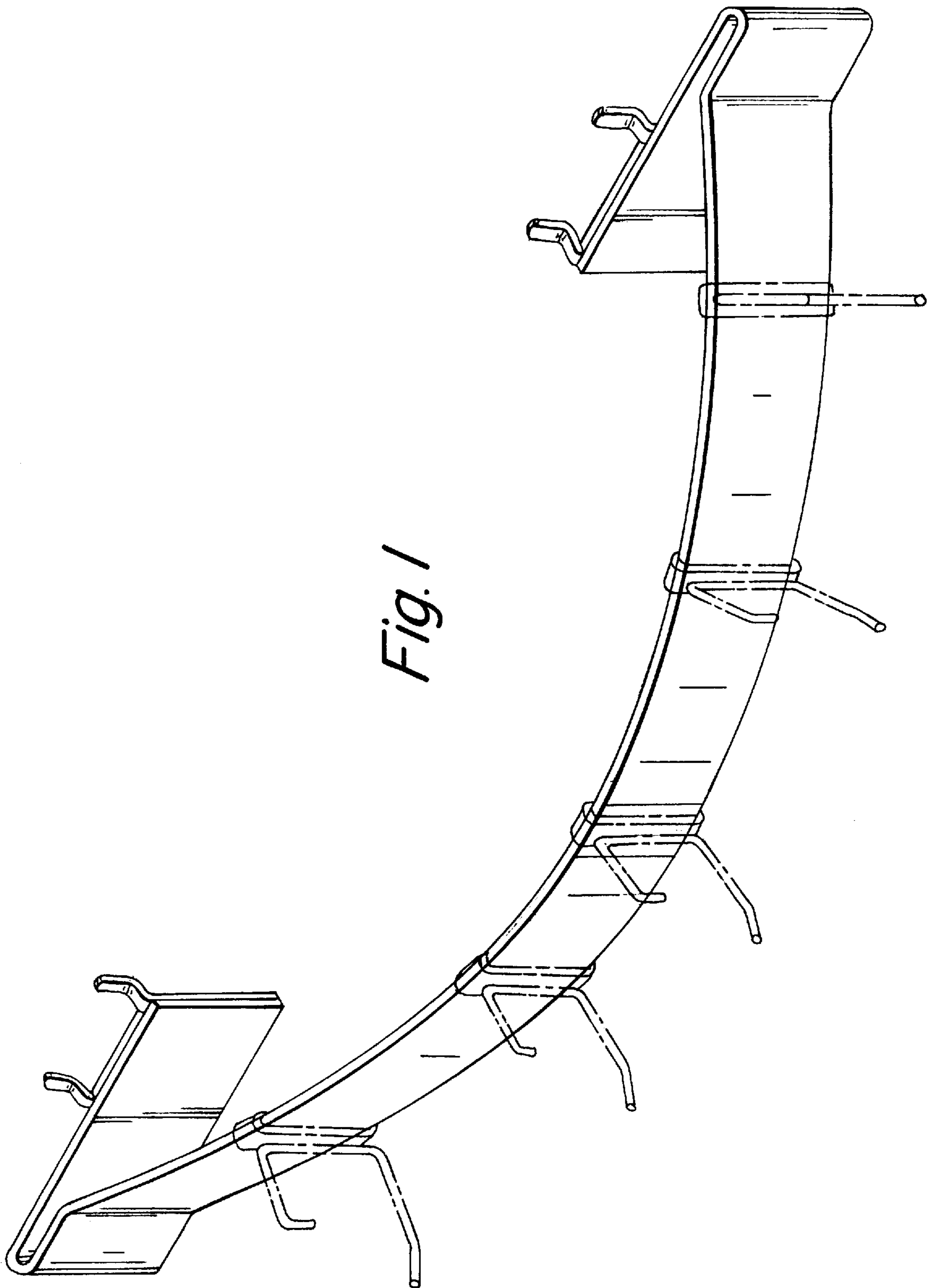
### [56] **References Cited**

#### U.S. PATENT DOCUMENTS

D. 58,089 6/1921 Gulick ..... D6/567 X  
D. 156,801 1/1950 Zeglen ..... D6/567 X

**1 Claim, 3 Drawing Sheets**





*Fig. 1*

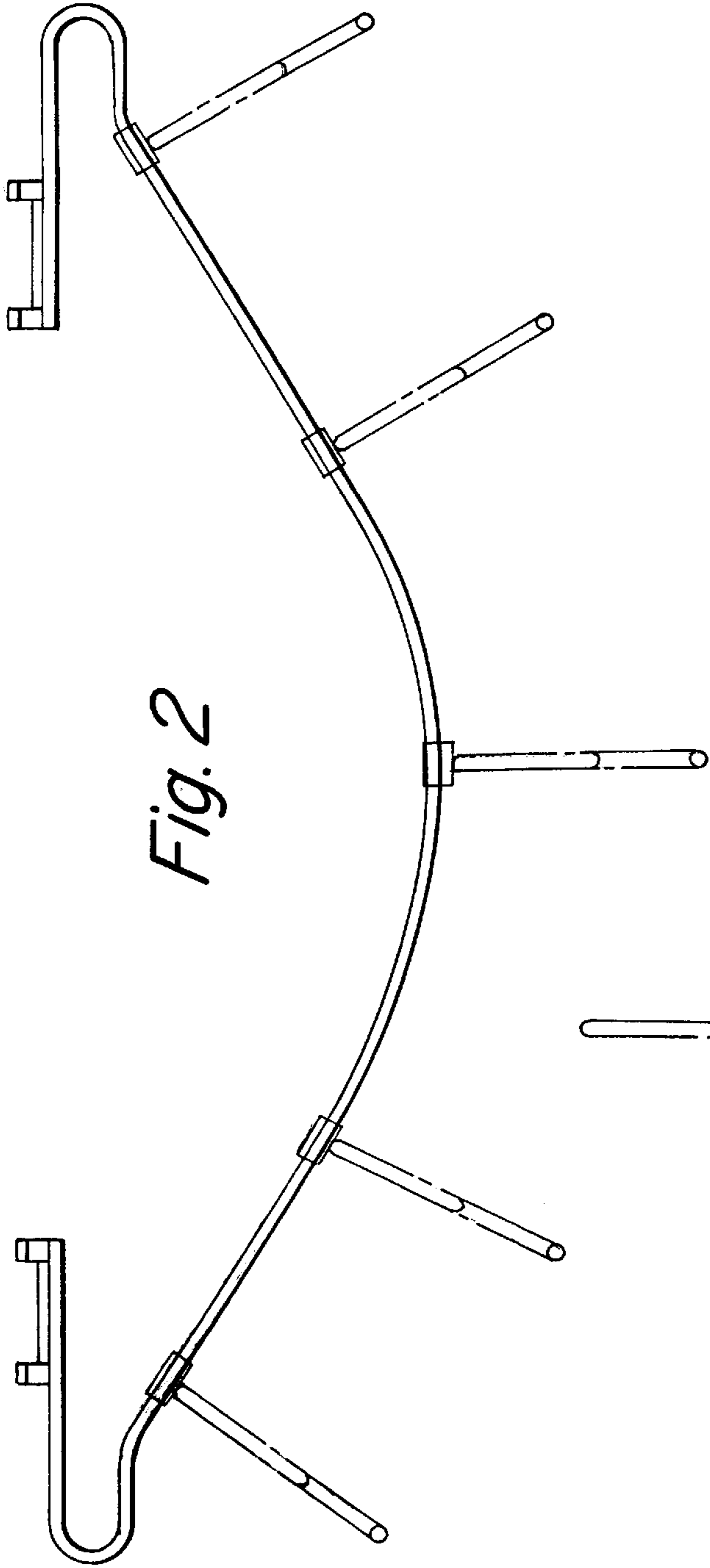


Fig. 2

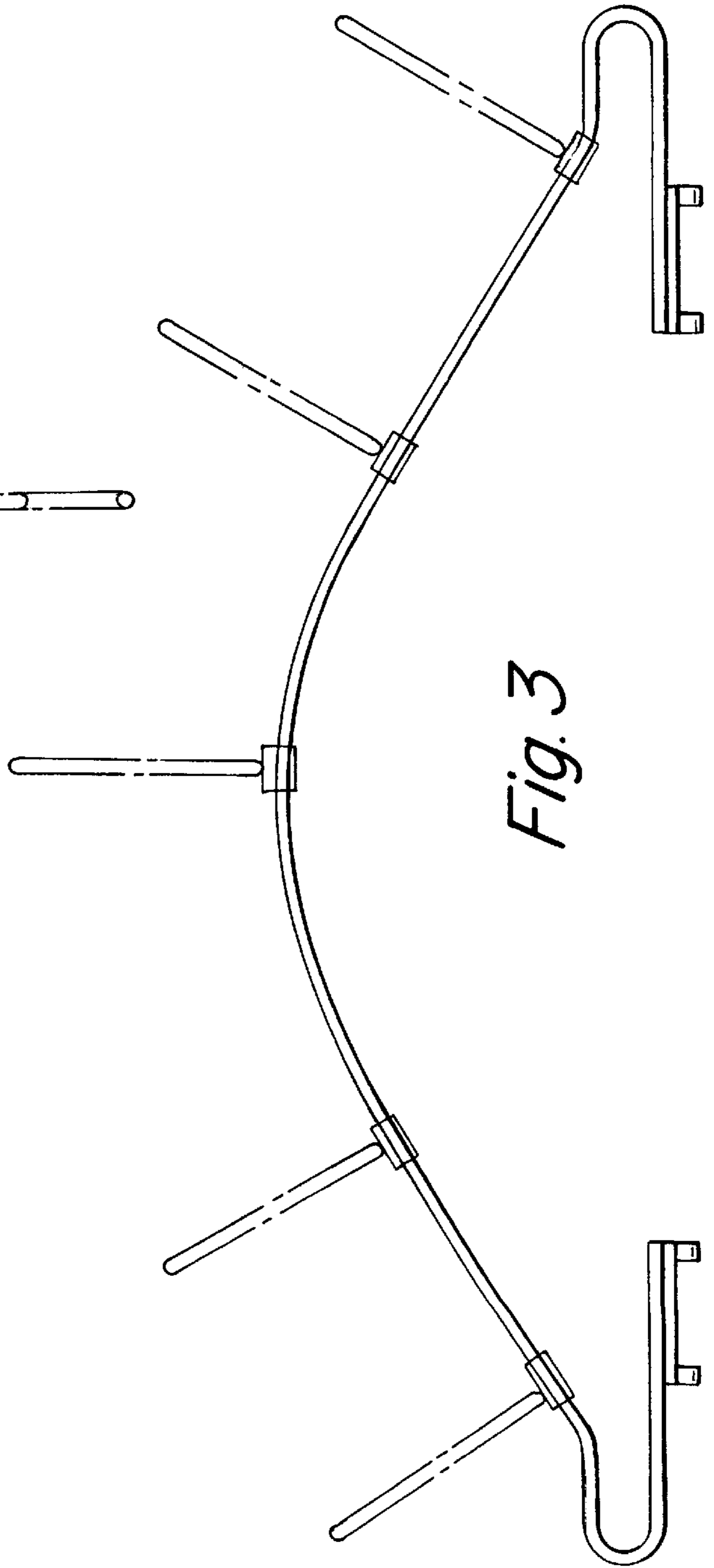
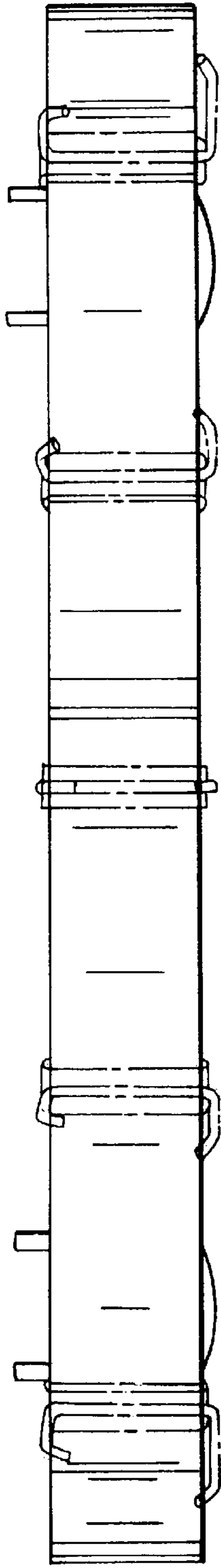
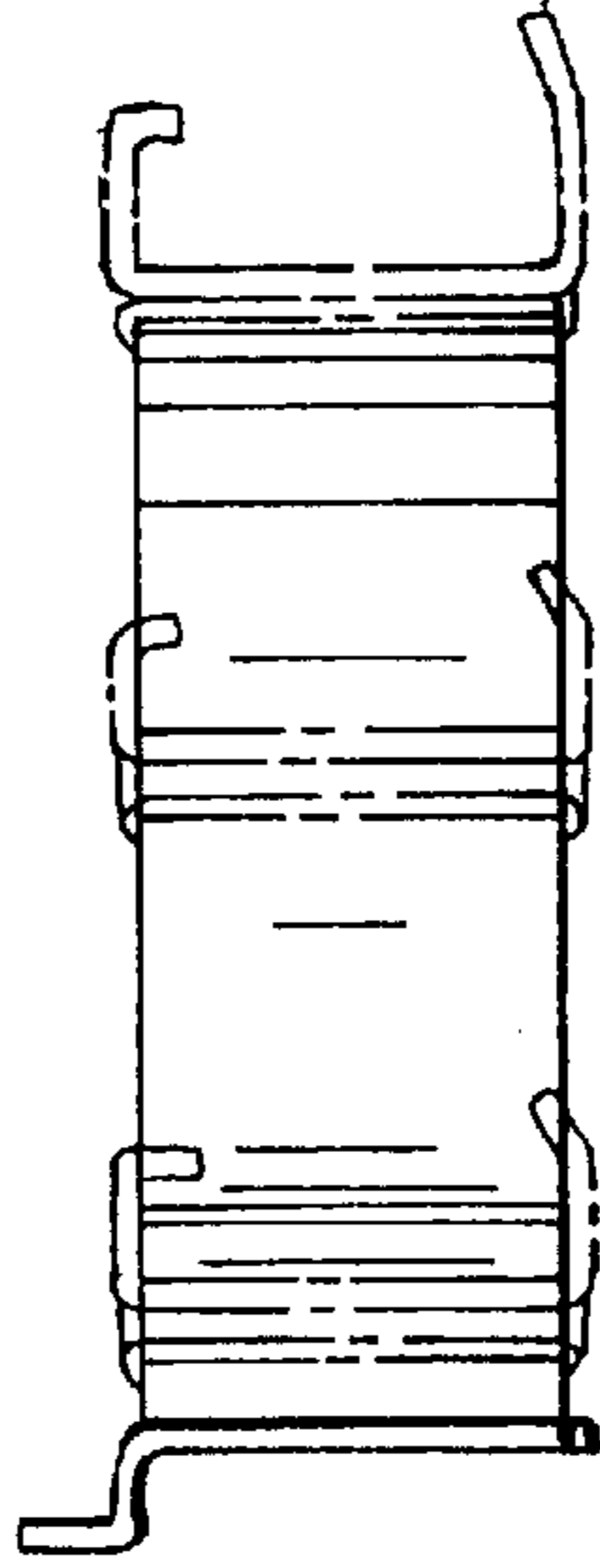


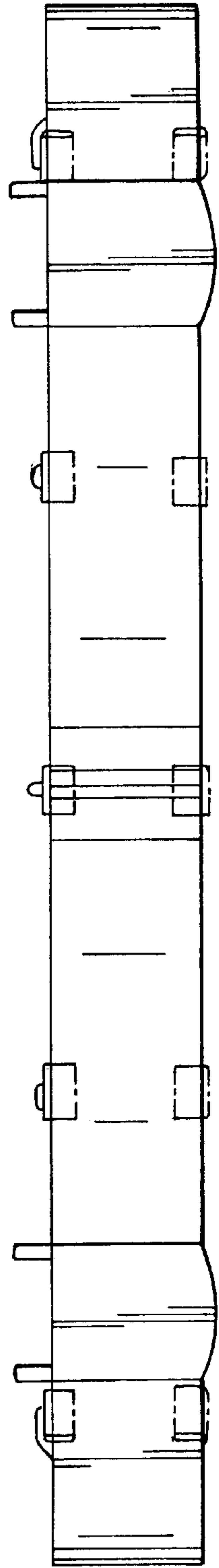
Fig. 3



*Fig. 4*



*Fig. 5*



*Fig. 6*