



US00D412803S

United States Patent [19]

Goodman et al.

[11] Patent Number: **Des. 412,803**

[45] Date of Patent: **** Aug. 17, 1999**

[54] **PAPER TOWEL HOLDER**

[75] Inventors: **Sheldon H. Goodman**, 30905 Stratford, Solon, Ohio 44139; **Karen L. Gail**, Cleveland Heights, Ohio

[73] Assignee: **Sheldon H. Goodman**, Solon, Ohio

[**] Term: **14 Years**

[21] Appl. No.: **29/100,483**

[22] Filed: **Feb. 11, 1999**

[51] **LOC (6) Cl.** **07-07**

[52] **U.S. Cl.** **D6/521; D6/522**

[58] **Field of Search** D6/518-522, 566; 206/225; 242/570, 590, 597; 248/302, 309.2; 312/34.8; D7/704, 598

D. 373,918	9/1996	Joergensen	D6/521
D. 383,343	9/1997	Goodman	D6/522
D. 390,054	2/1998	Goodman	D6/522
D. 395,567	6/1998	Hollinger	D6/522
D. 405,304	2/1999	Goodman et al.	D6/522
D. 405,633	2/1999	Joergensen	D6/522
4,143,845	3/1979	Harris	248/221.2
4,553,710	11/1985	Pool	242/55.2

Primary Examiner—Brian N. Vinson
Attorney, Agent, or Firm—Pearne, Gordon, McCoy & Granger LLP

[57] CLAIM

The ornamental design for a paper towel holder, as shown and described.

DESCRIPTION

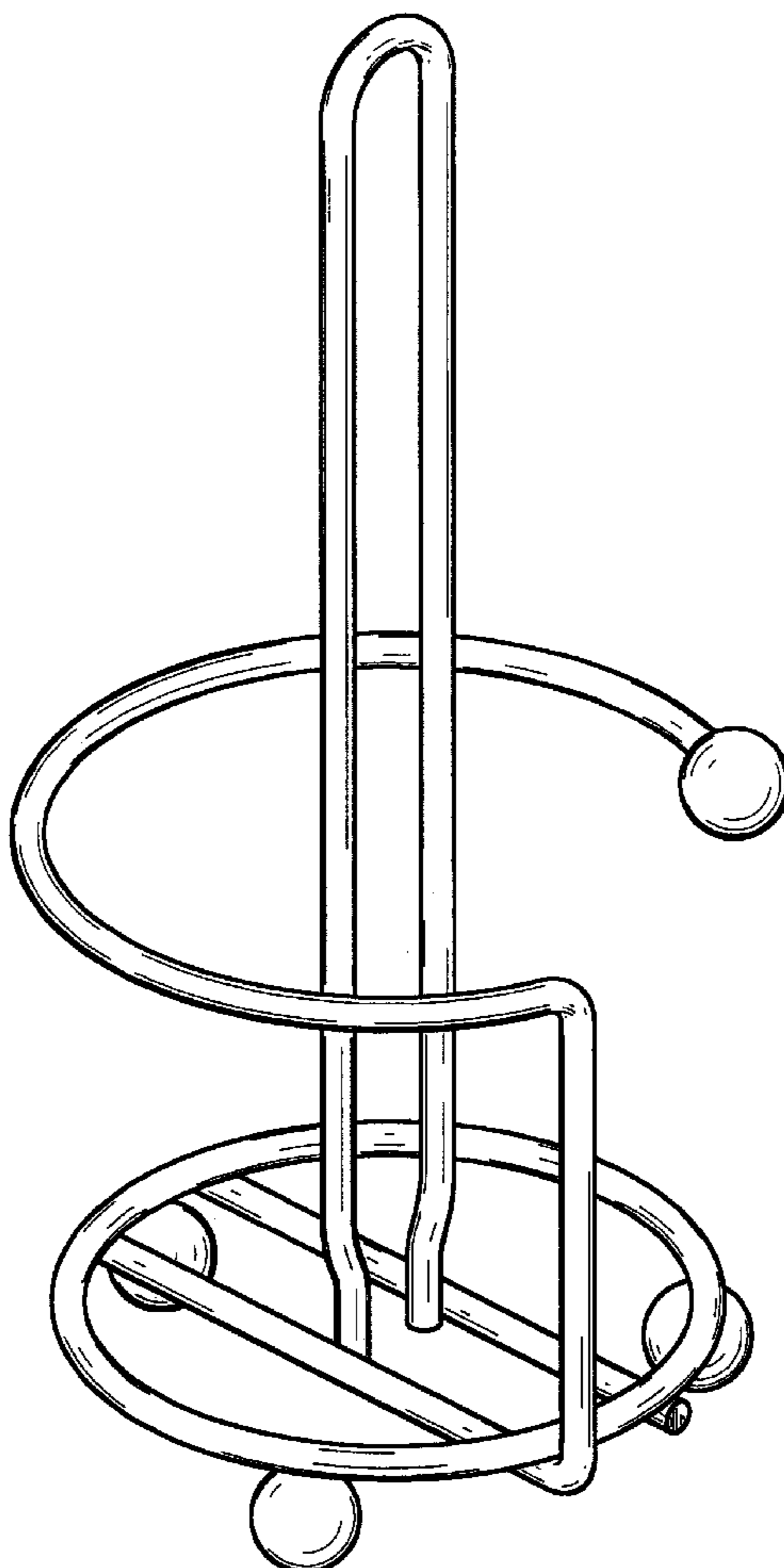
FIG. 1 is a perspective view of a paper towel holder showing our new design;
FIG. 2 is a front elevational view thereof;
FIG. 3 is a rear elevational view thereof;
FIG. 4 is a left side elevational view thereof;
FIG. 5 is a right side elevational view thereof;
FIG. 6 is a top plan view thereof; and,
FIG. 7 is a bottom plan view thereof.

1 Claim, 2 Drawing Sheets

[56] References Cited

U.S. PATENT DOCUMENTS

D. 267,761	2/1983	Cohen	D6/99
D. 278,875	5/1985	Beard	D6/566
D. 286,720	11/1986	Minuti	D6/521
D. 310,479	9/1990	Speetzen	D8/376
D. 359,642	6/1995	Ahern, Jr.	D6/521



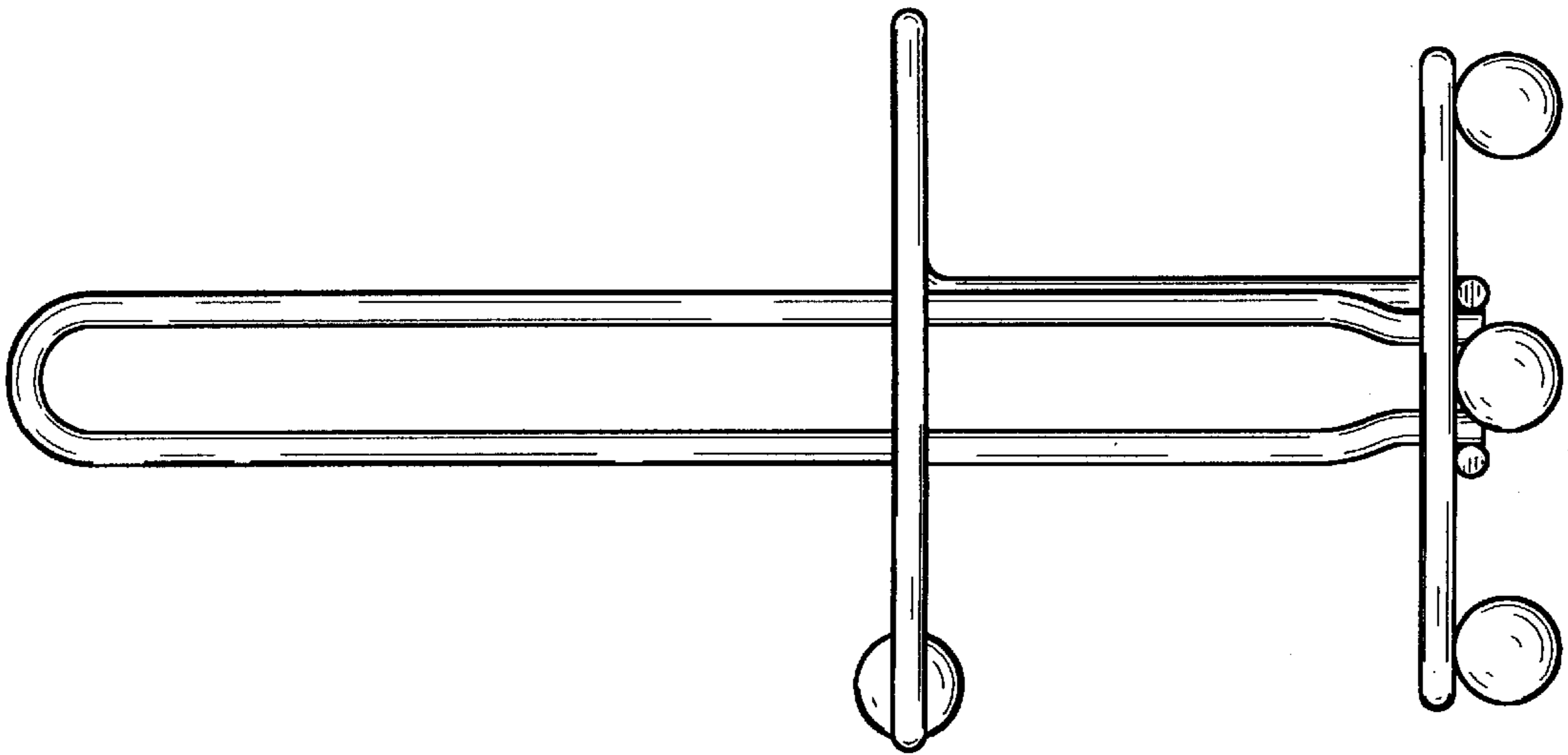


Fig.3

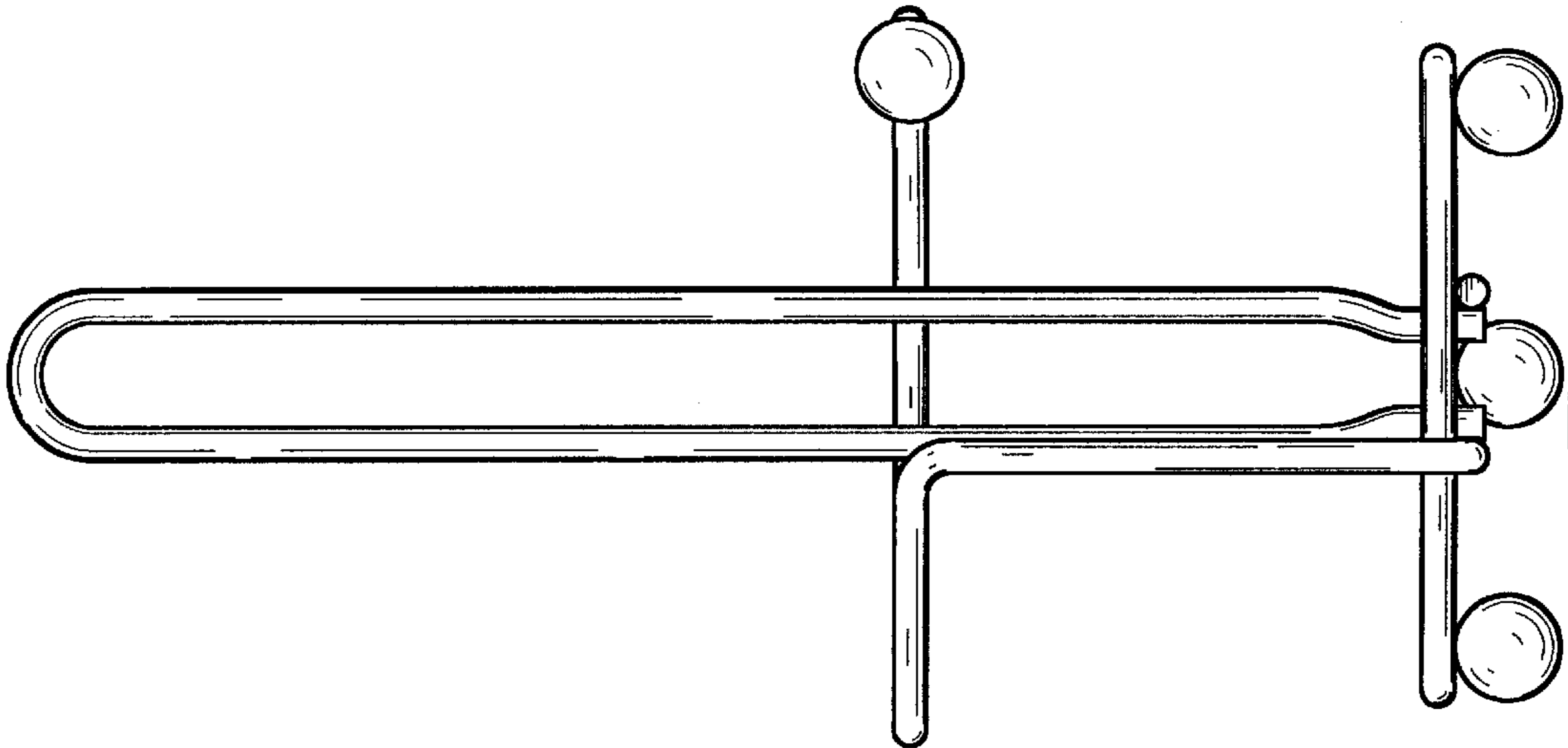


Fig.2

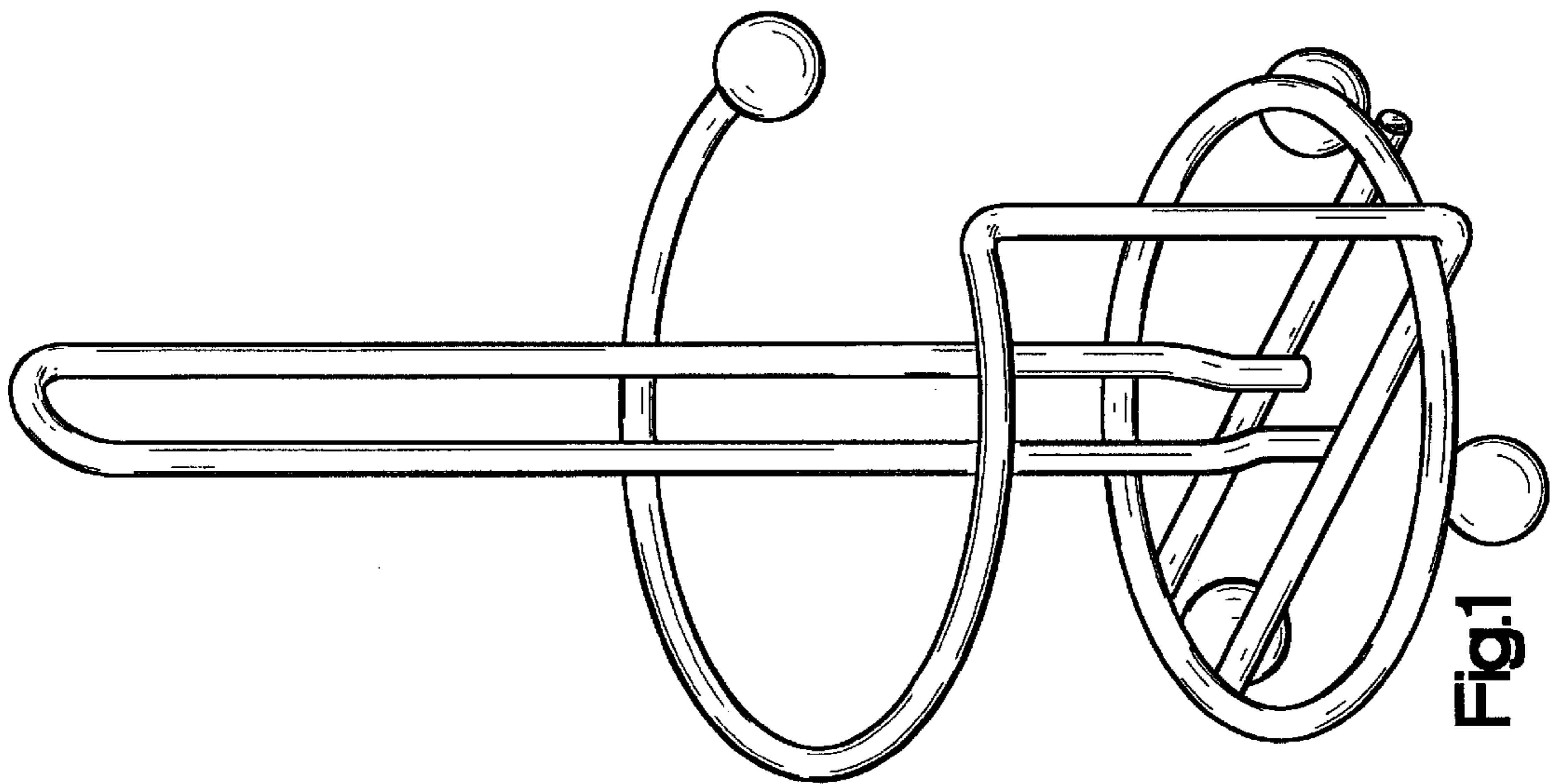


Fig.1

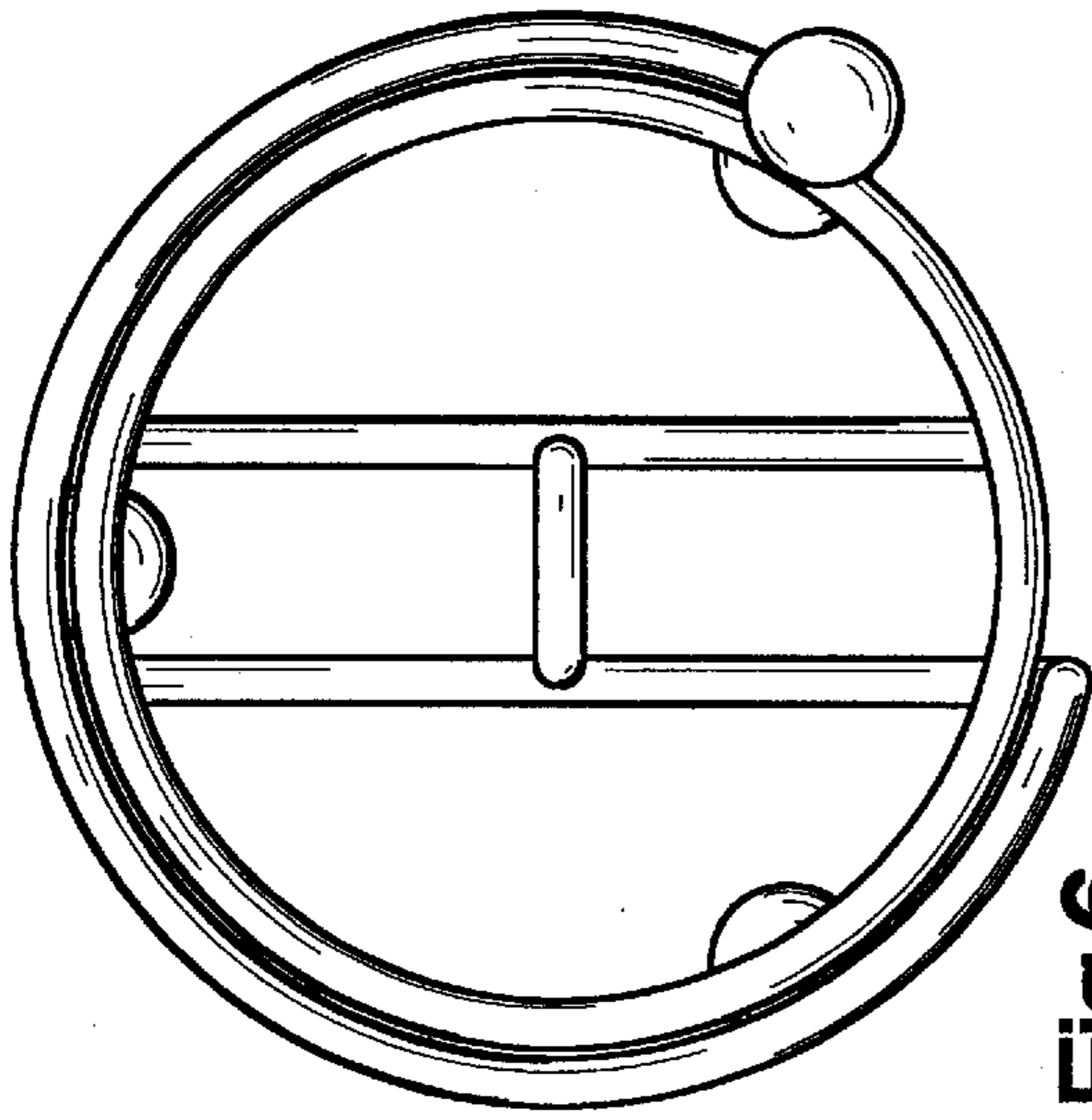


Fig. 6

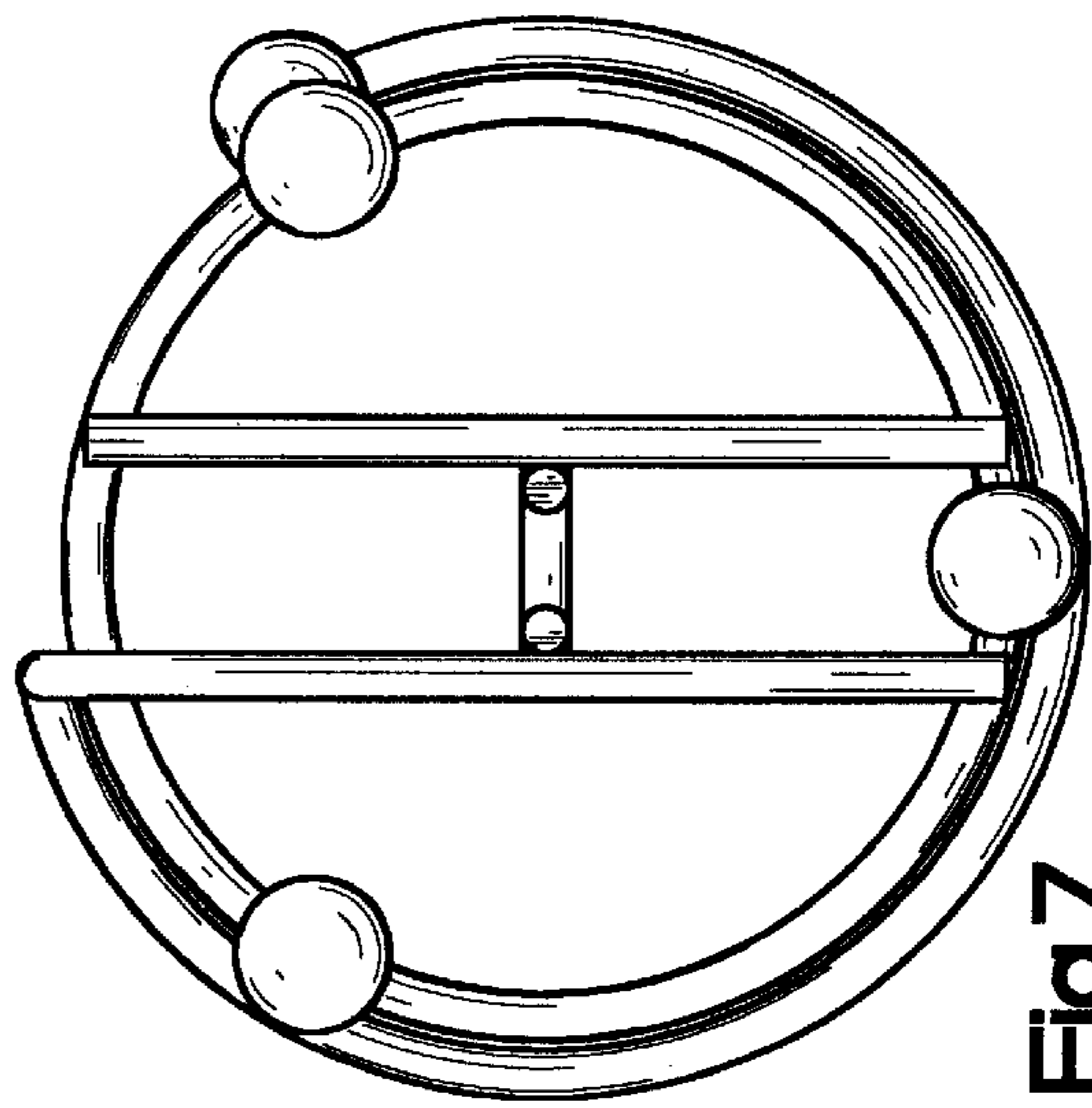


Fig. 7

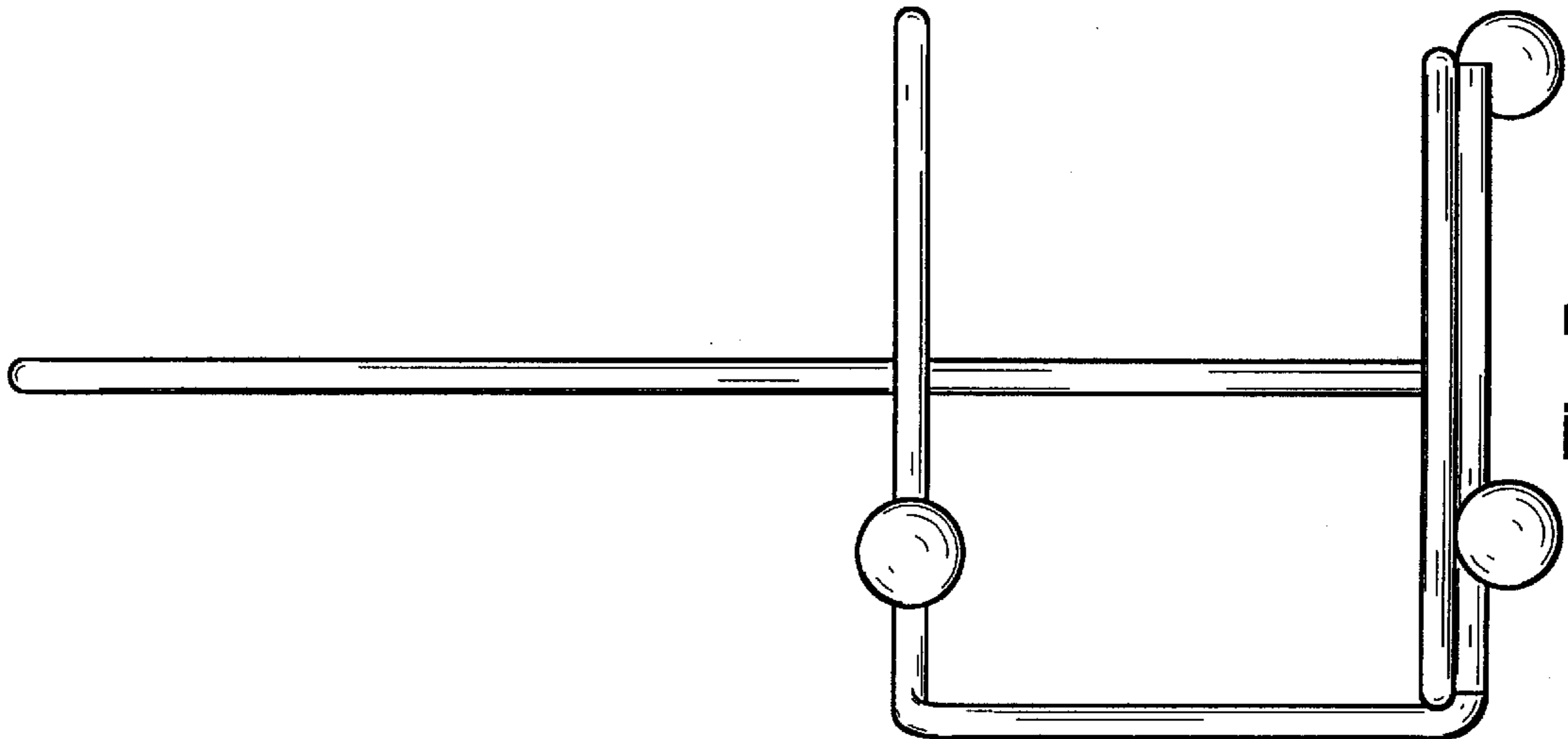


Fig. 5

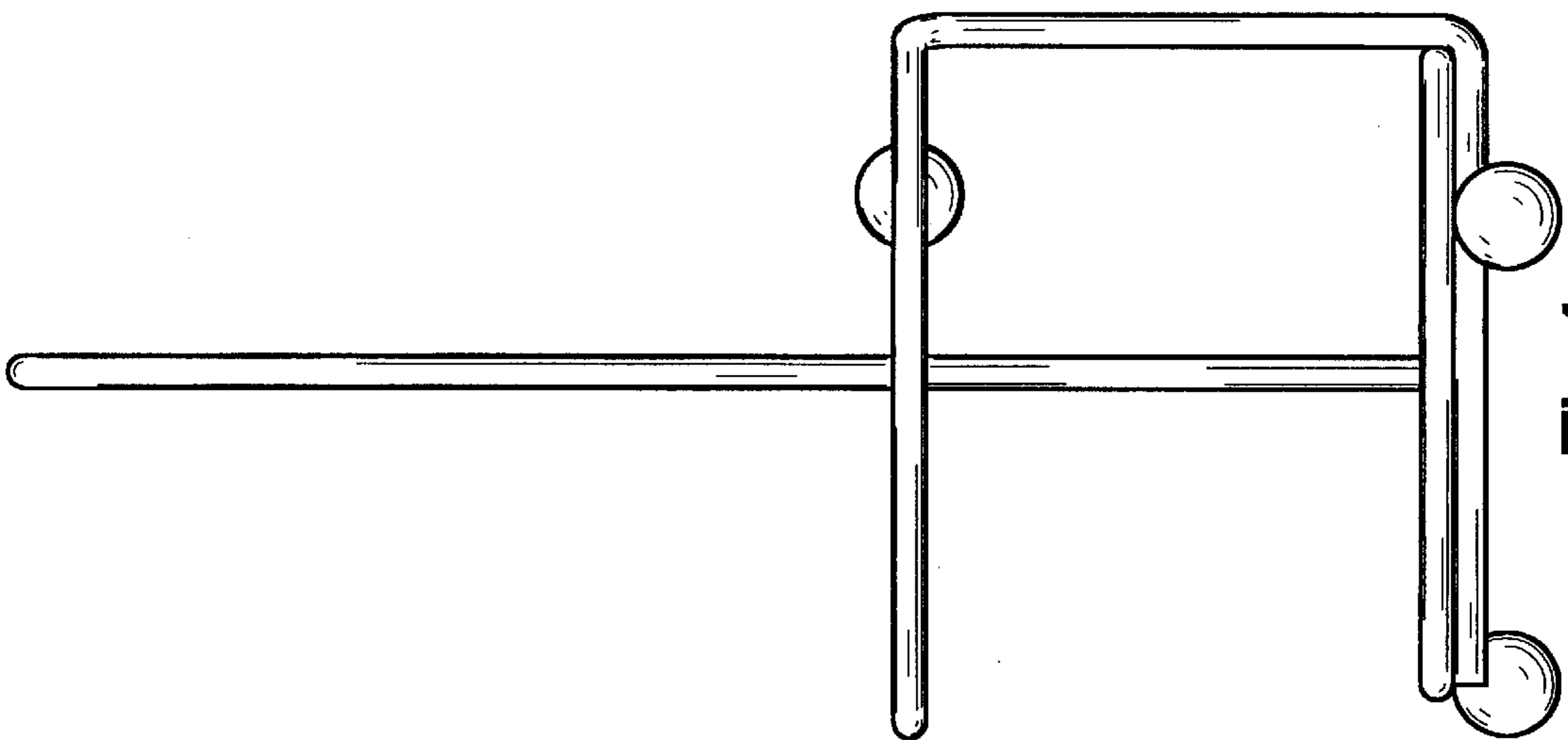


Fig. 4