



US00D412800S

United States Patent [19] O'Farrell

[11] **Patent Number: Des. 412,800**

[45] **Date of Patent: ** Aug. 17, 1999**

[54] **DISPLAY UNIT**

4,121,877 10/1978 Brown 211/40 X

[76] Inventor: **Richard O'Farrell**, 113 Shrewsbury
Lawn, Cabinteely, Dublin 18, Ireland

Primary Examiner—James Gandy
Assistant Examiner—Linda Brooks
Attorney, Agent, or Firm—Jacobson, Price, Holman &
Stern, PLLC

[**] Term: **14 Years**

[21] Appl. No.: **29/062,897**

[57] CLAIM

[22] Filed: **Dec. 2, 1996**

The ornamental design for a display unit, as shown and described.

[30] Foreign Application Priority Data

May 30, 1996 [IE] Ireland 152/96

DESCRIPTION

[51] **LOC (6) Cl.** **20-02**

FIG. 1 is a front perspective view of a display unit according to the design;

[52] **U.S. Cl.** **D6/476**

FIG. 2 is a rear perspective view from below the display unit, the opposite side view being a mirror image thereof; FIG. 3 is an enlarged side elevational view of the display unit, the opposite side elevational view being a mirror image thereof;

[58] **Field of Search** D6/473-475, 466, D6/467, 477-479, 407; D3/304, 305, 313; D9/414, 415, 418, 341; 206/777, 778, 785, 769, 771, 387.15, 387.1; 211/40, 1, 13, 126, 132, 188, 189, 194, 195; 312/117

FIG. 4 is a top plan view of the display unit of FIG. 3; FIG. 5 is a bottom plan view of the display unit of FIG. 3; and,

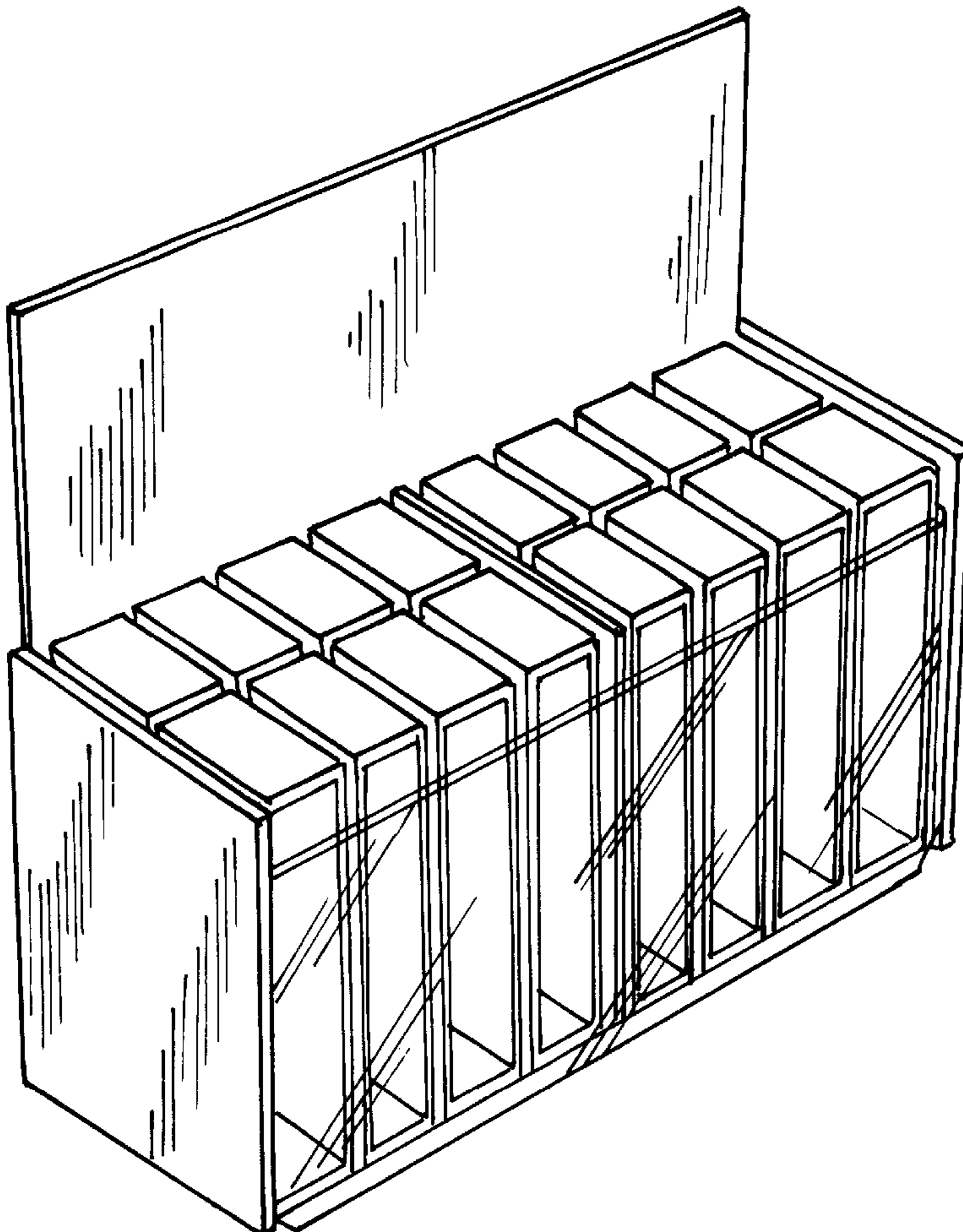
[56] References Cited

U.S. PATENT DOCUMENTS

D. 213,241 1/1969 Curto D3/313
D. 257,306 10/1980 Aboussouan 211/40 X
D. 333,052 2/1993 Bumb D6/476

FIG. 6 is a front elevational view of the display unit of FIG. 3.

1 Claim, 4 Drawing Sheets



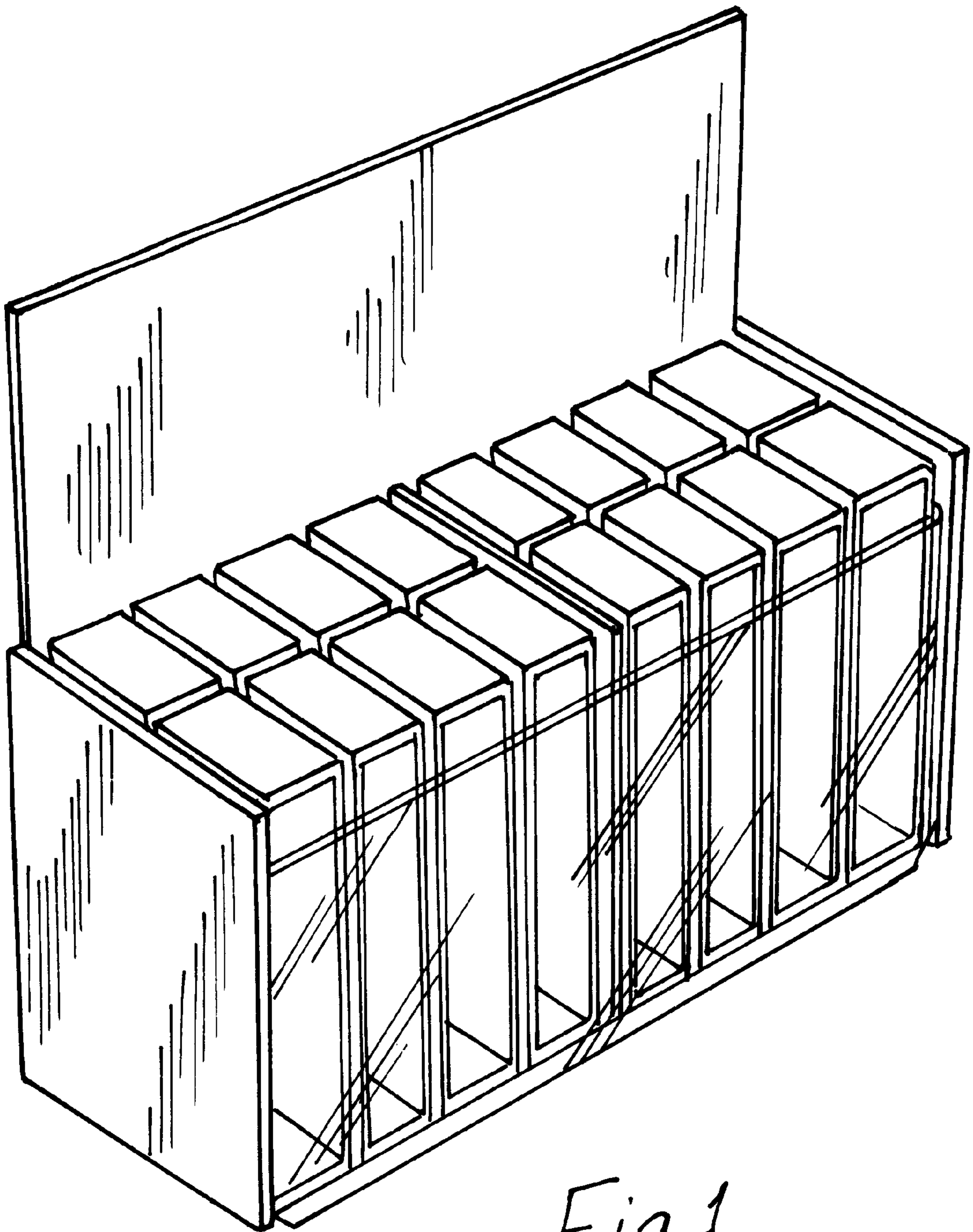


Fig. 1

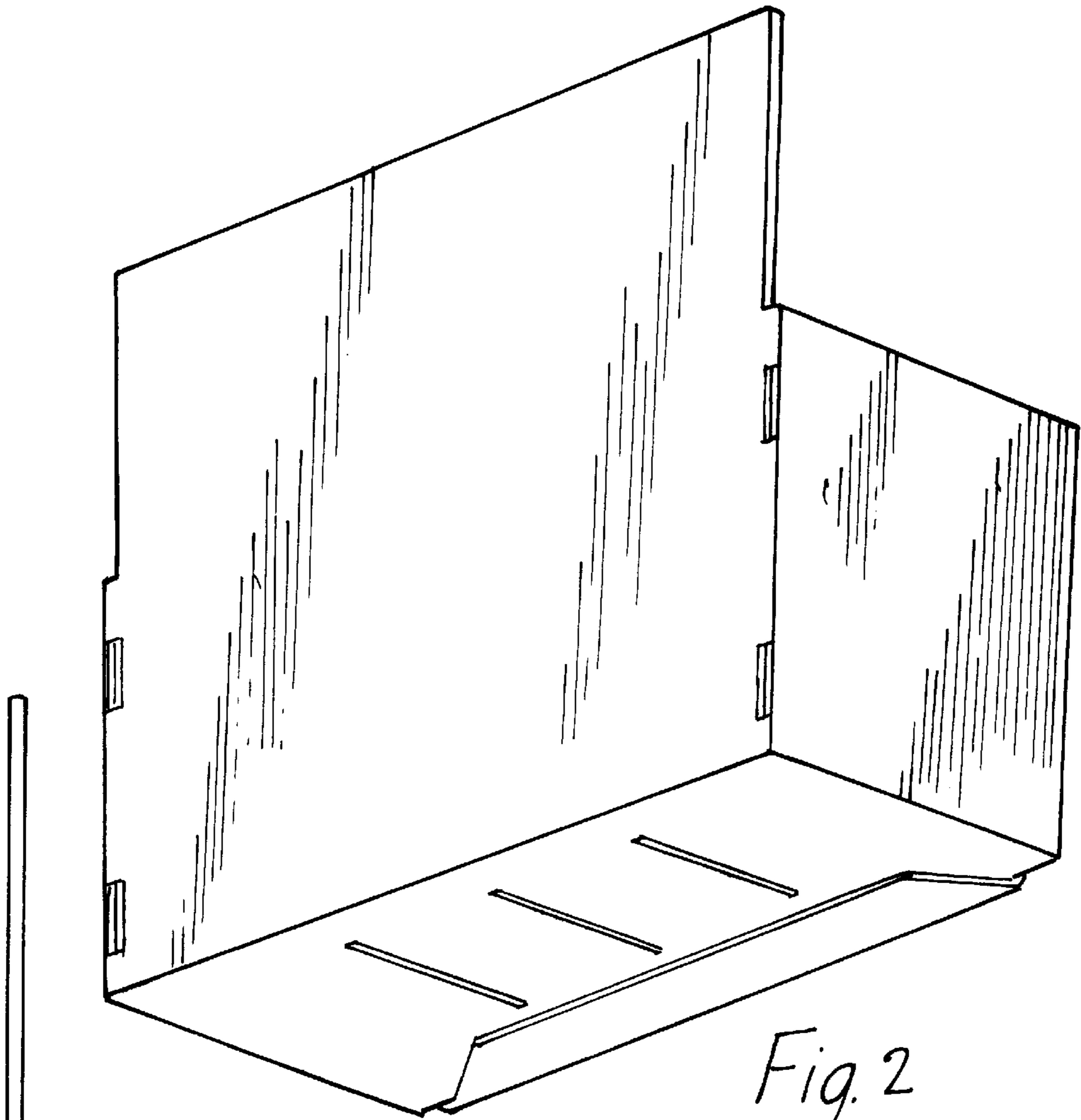


Fig. 2

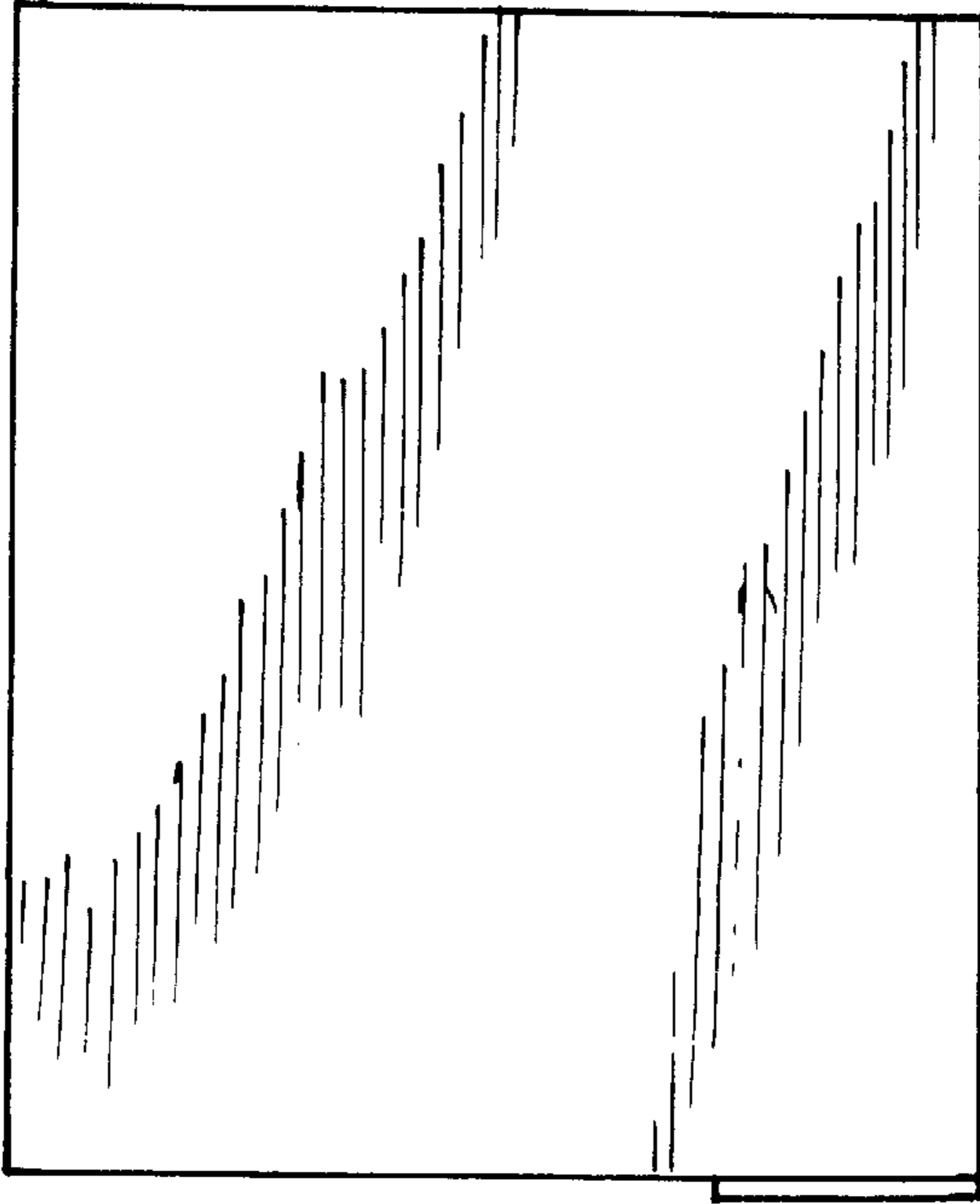


Fig. 3

Fig. 4

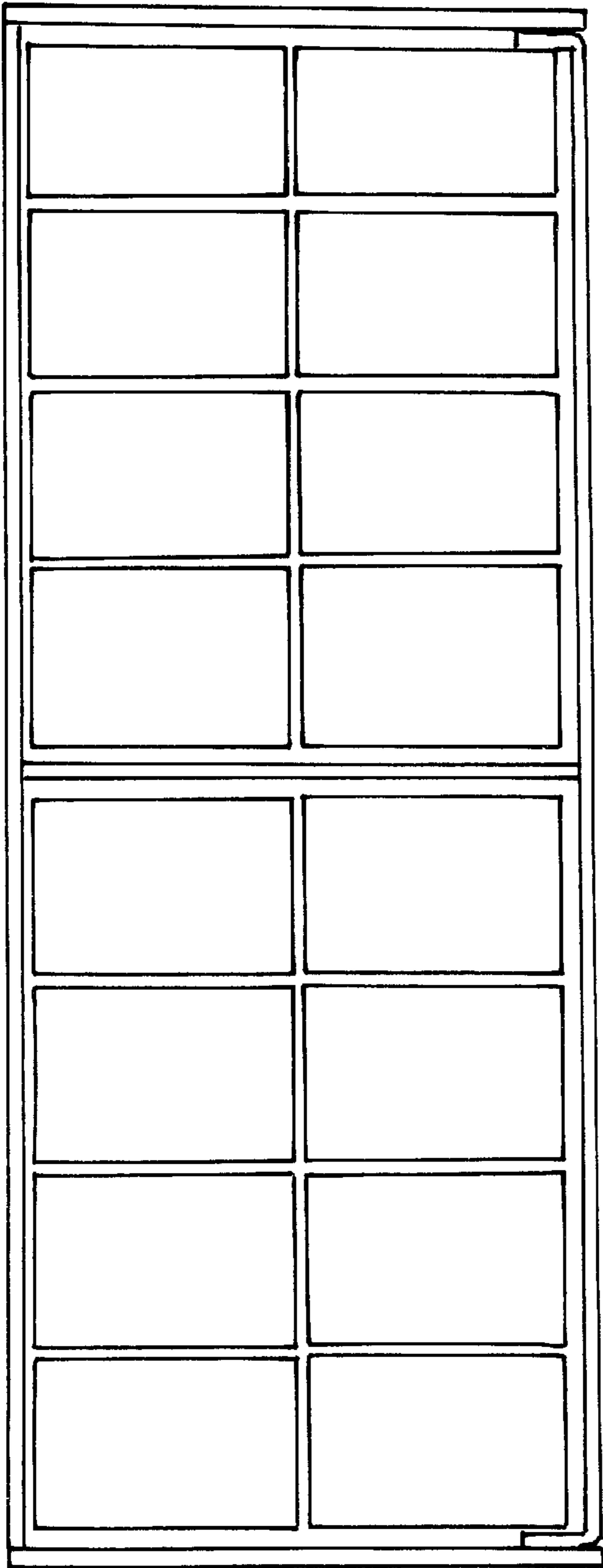


Fig. 5

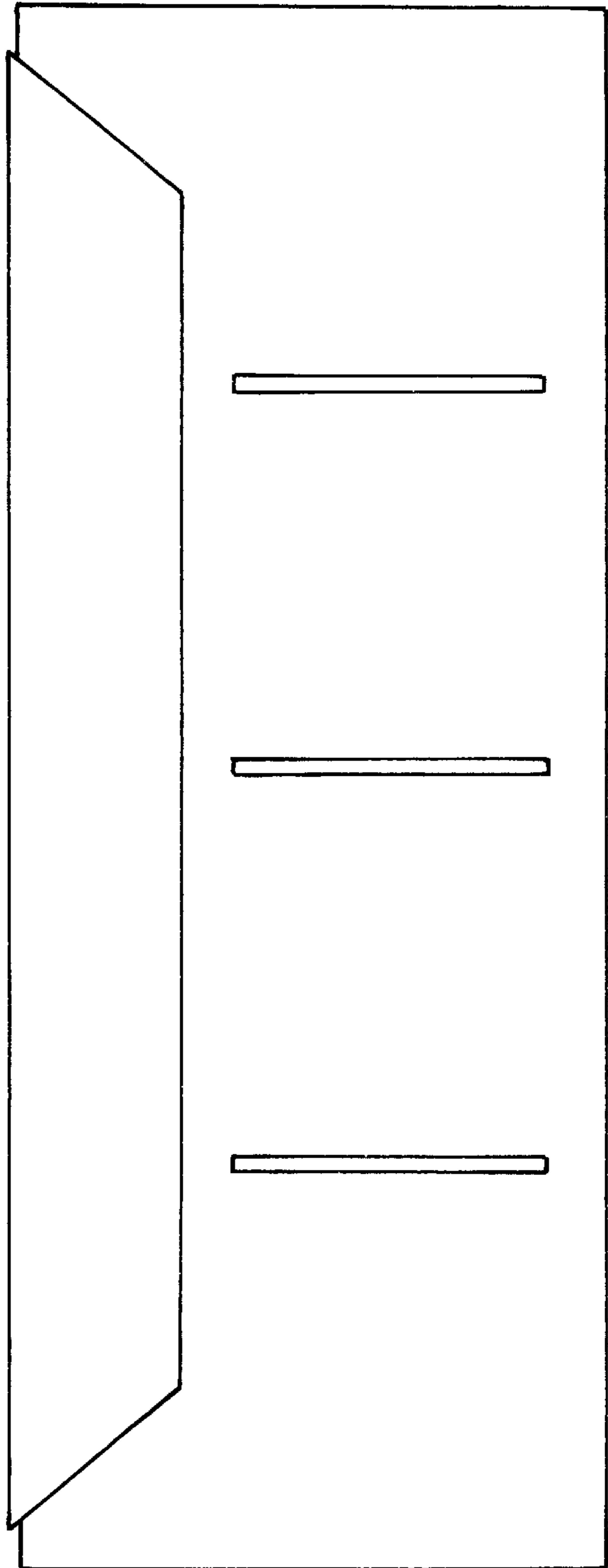


Fig. 6

