



US00D412795S

**United States Patent** [19]  
**Bargagli-Stoffi**

[11] **Patent Number: Des. 412,795**  
[45] **Date of Patent: \*\* Aug. 17, 1999**

[54] **BED**

[75] Inventor: **Carlo Bargagli-Stoffi**, Union, N.J.

[73] Assignee: **Sangiorgio Furniture Industries, Inc.**

[\*\*] Term: **14 Years**

[21] Appl. No.: **29/087,843**

[22] Filed: **May 11, 1998**

[51] **LOC (6) Cl.** ..... **06-01**

[52] **U.S. Cl.** ..... **D6/393; D6/388**

[58] **Field of Search** ..... D6/382, 385, 388,  
D6/390-395, 505-508; 5/907, 53.1, 279.1,  
280, 281

[56] **References Cited**

**U.S. PATENT DOCUMENTS**

D. 365,218 12/1995 Russell ..... D6/393  
5,075,910 12/1991 Morten ..... 5/53.1

**OTHER PUBLICATIONS**

Furniture Today, Oct. 21, 1996, p. 153, bed.  
Interior Design Market, Sep. 1987, p. 103.

*Primary Examiner*—Janice E. Seeger  
*Attorney, Agent, or Firm*—Rhodes, Coats & Bennett, L.L.P.

[57] **CLAIM**

The ornamental design for a bed, as shown and described.

**DESCRIPTION**

FIG. 1 is a front right perspective view of a bed showing my new design, the lower inner surface of the headboard, the lower inner surface of the footboard, the inner surfaces of the side rails and the rear of the headboard are not illustrated as they form no part of the invention;

FIG. 2 is a partial front elevational view of the headboard; FIG. 3 is a side view of the headboard and one end of the side rails, the opposite side being a mirror image of the side shown illustrating the ornamental design thereon;

FIG. 4 is an enlarged partial front right perspective view of the lower portion of the headboard and one end of the side rails, illustrating the ornamental design thereon;

FIG. 5 is a front view of the footboard;

FIG. 6 is a side view of the footboard and one end of the side rails, the opposite side being a mirror image of the side shown illustrating the ornamental design thereon;

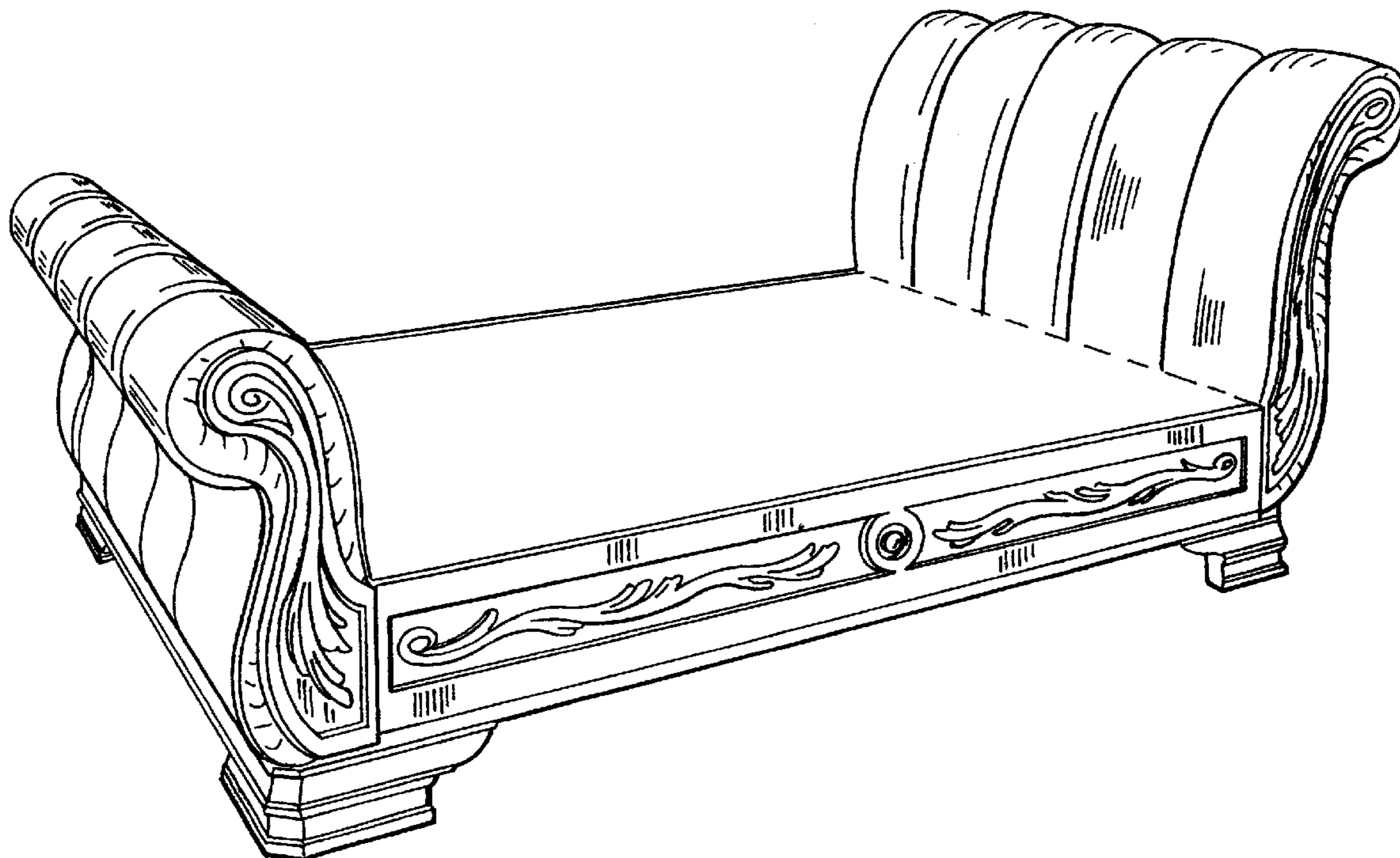
FIG. 7 is an enlarged partial perspective of the lower portion of the footboard and one end of the side rails, illustrating the ornamental design thereon;

FIG. 8 is a partial elevational view of the inner surface of the footboard; and,

FIG. 9 is a side elevational view of FIG. 1, the opposite side being a mirror image of ther side shown, illustrating the ornamental design on the headboard, footboard and side rails.

The broken lines are for environmental purposes only and form no part of the claimed design.

**1 Claim, 5 Drawing Sheets**



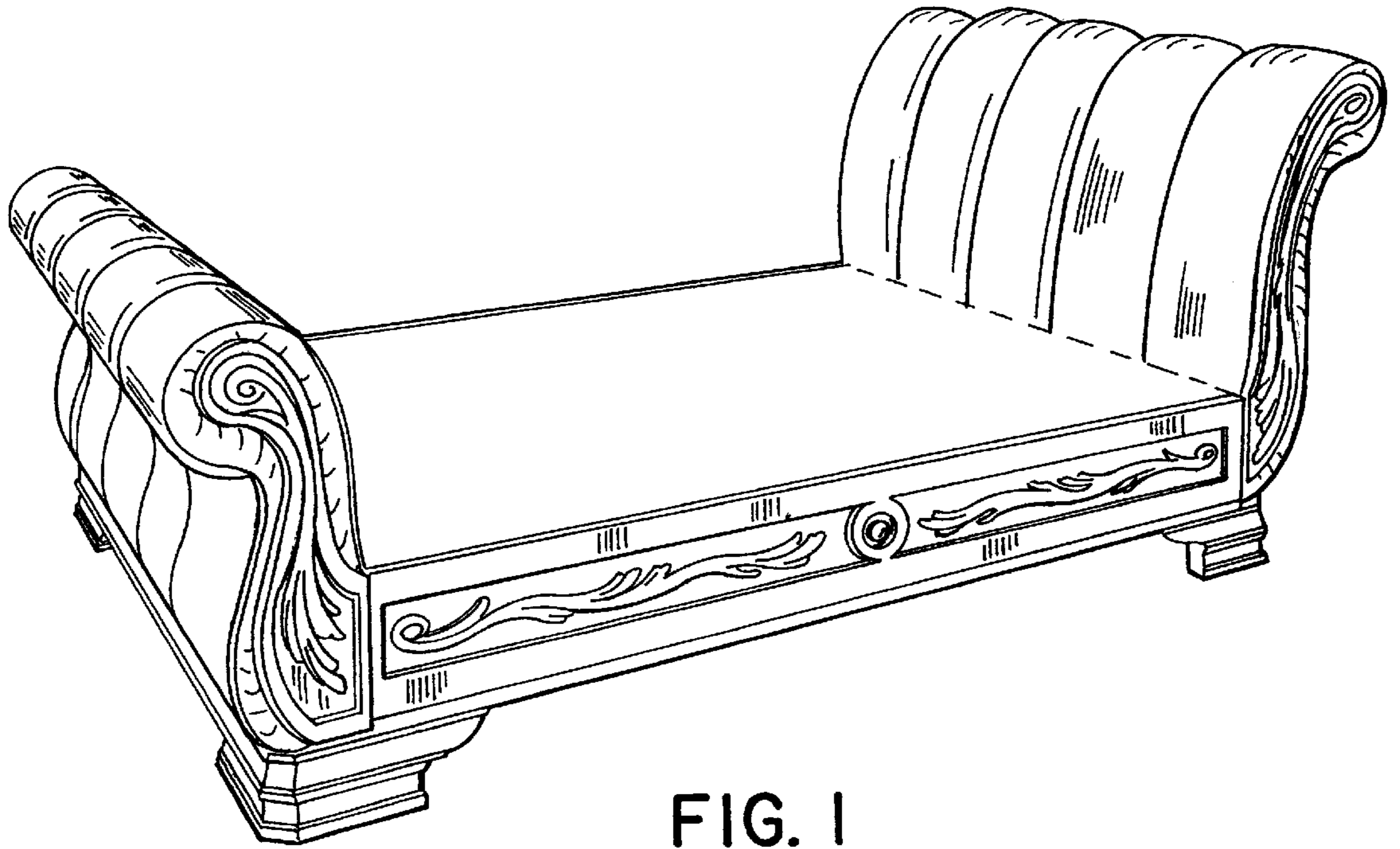


FIG. 1

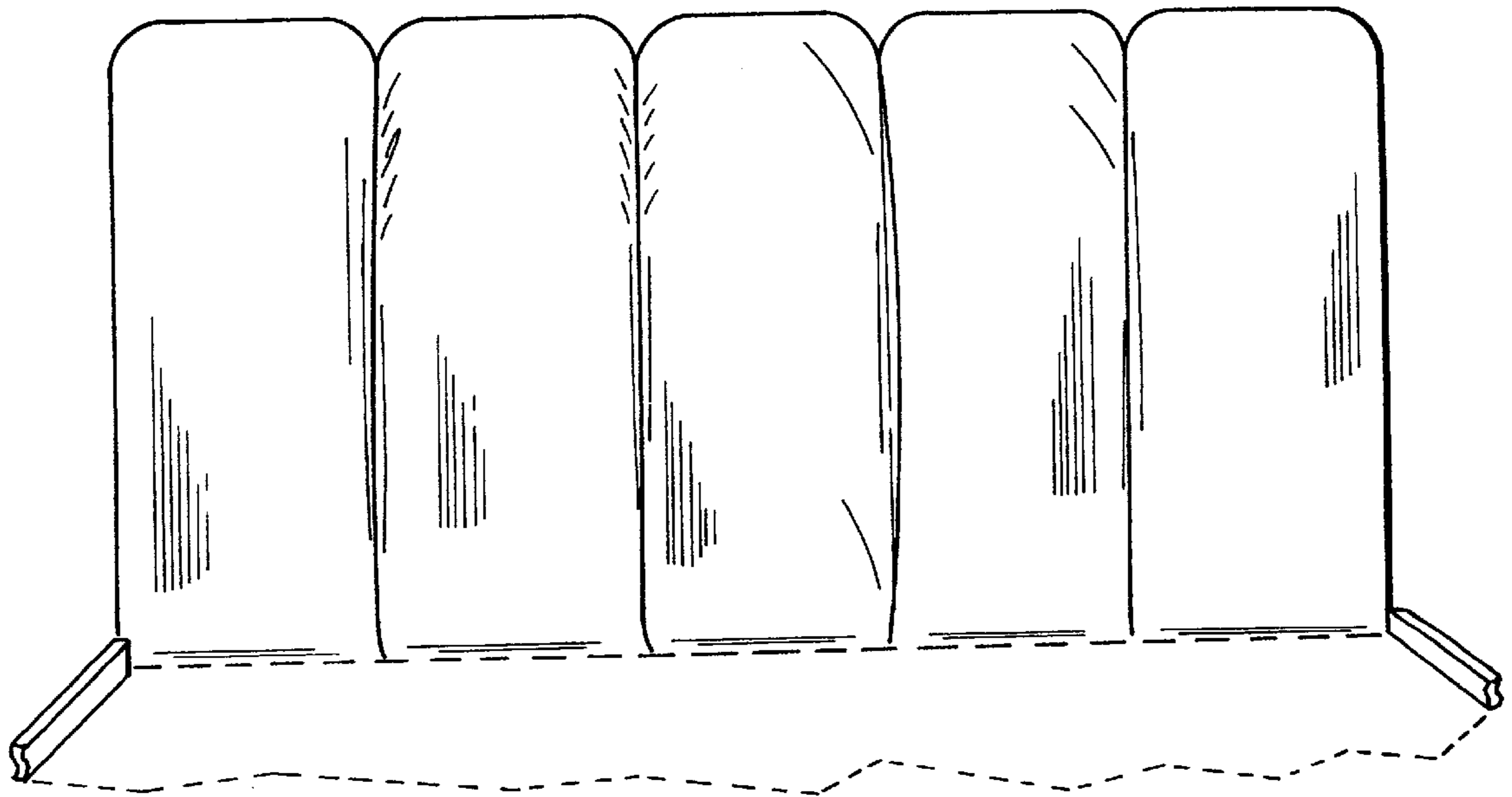


FIG. 2

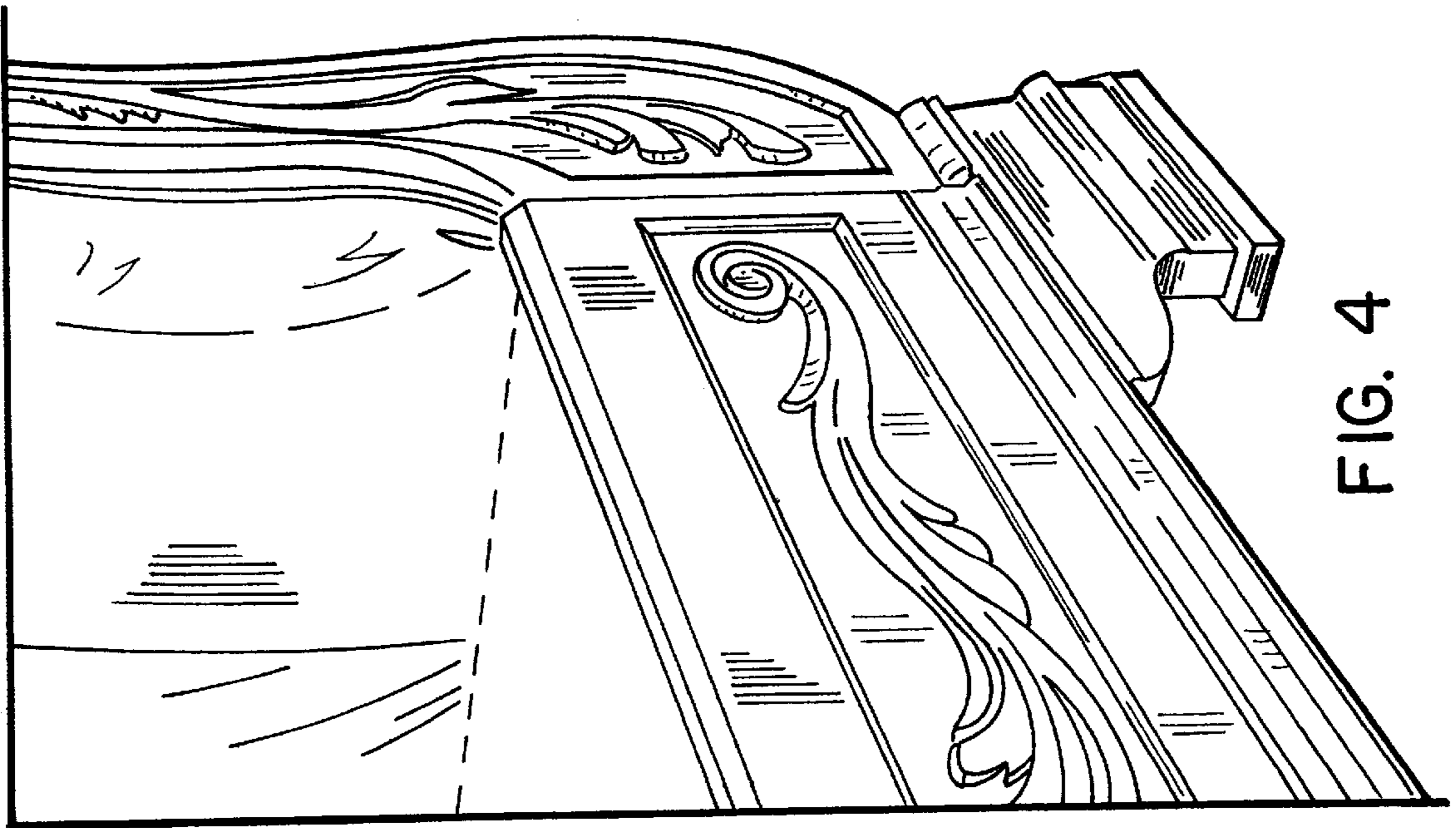


FIG. 4

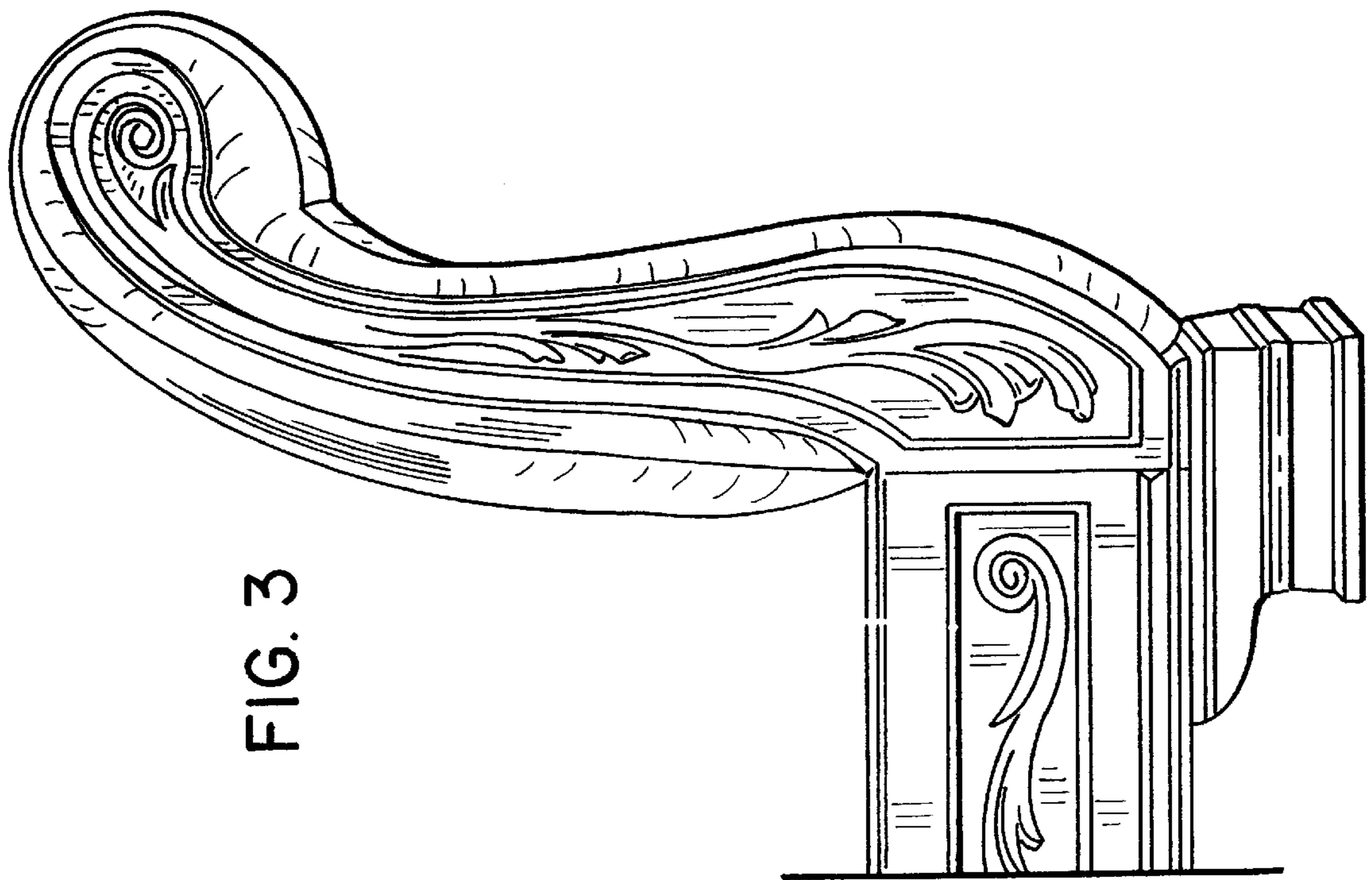


FIG. 3

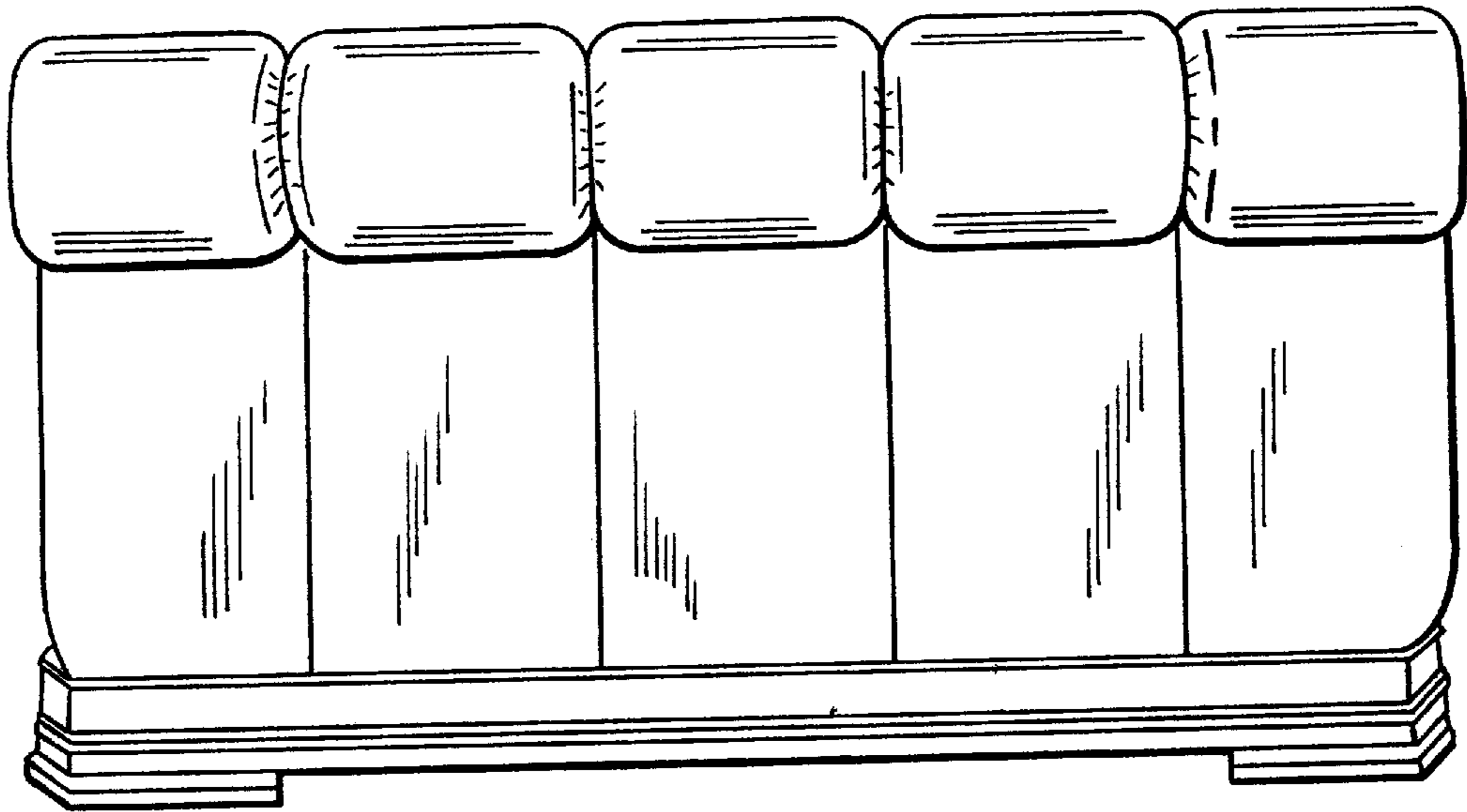


FIG. 5

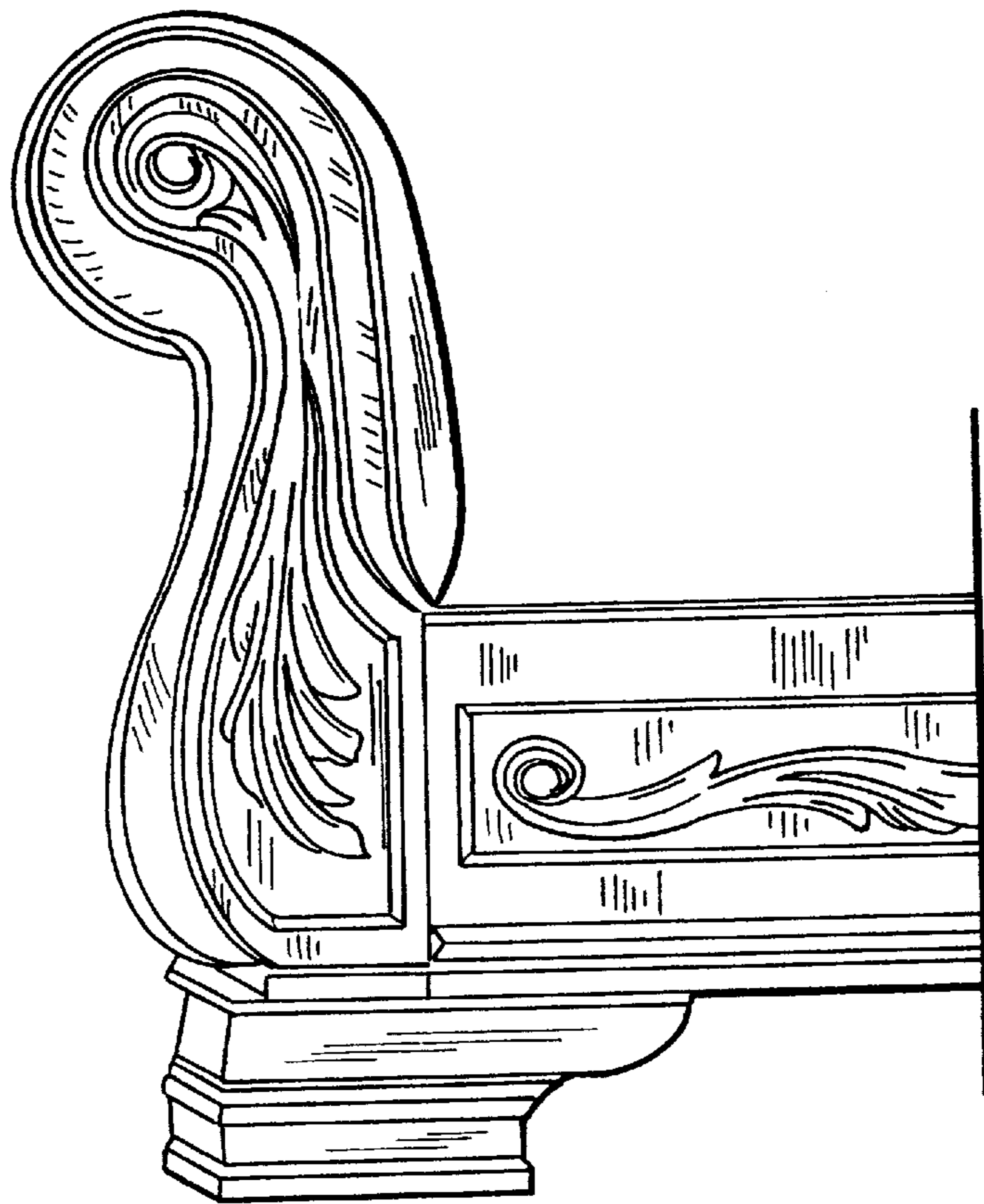


FIG. 6

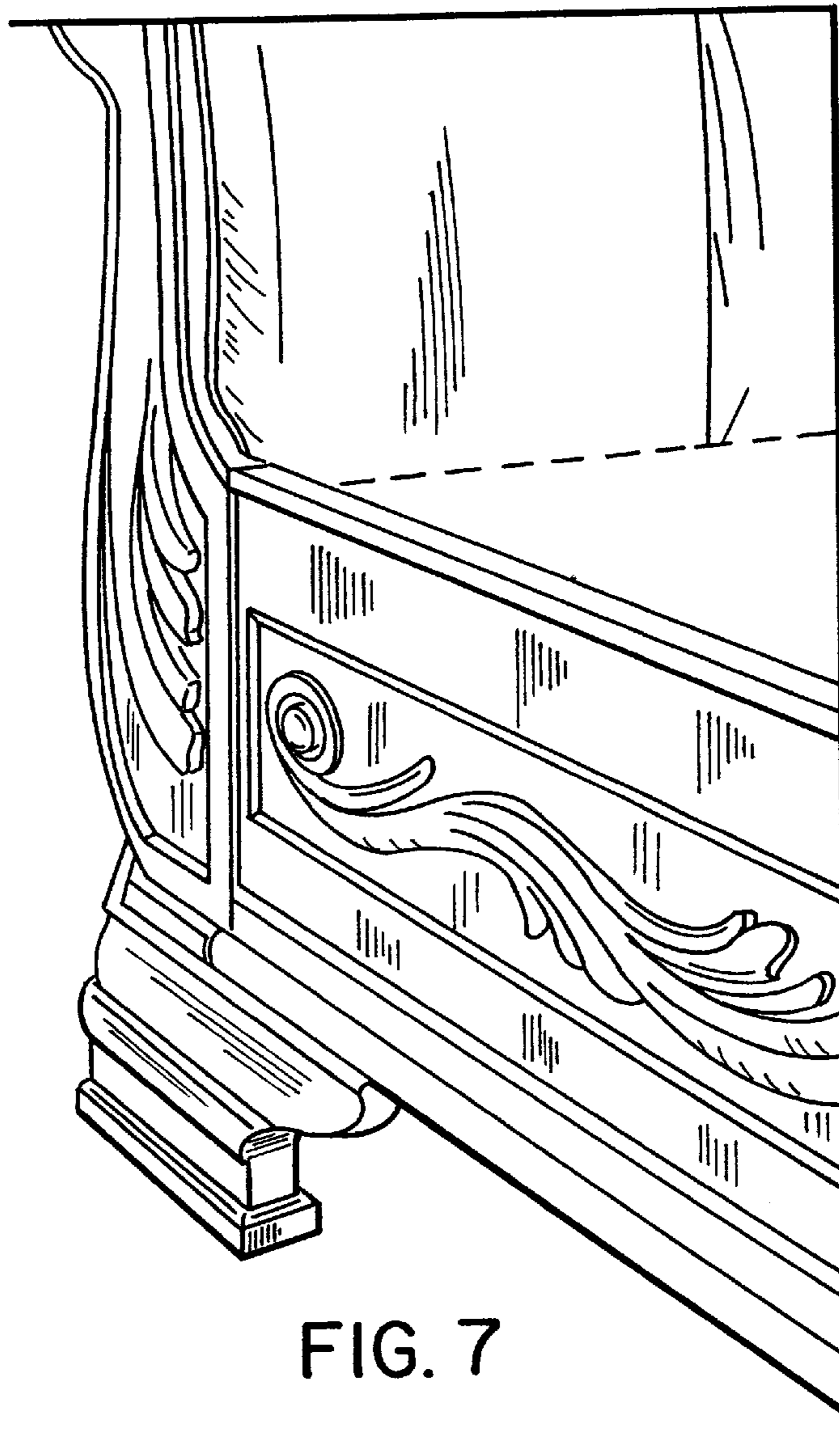


FIG. 7

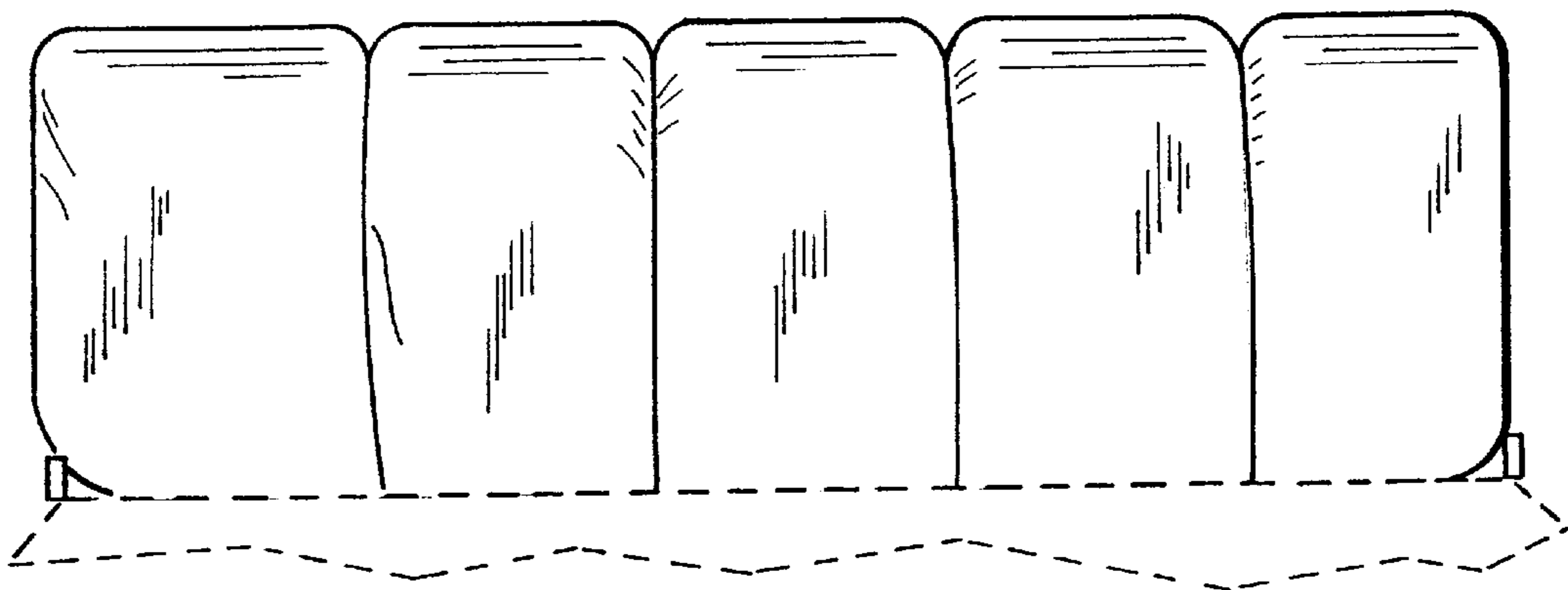


FIG. 8

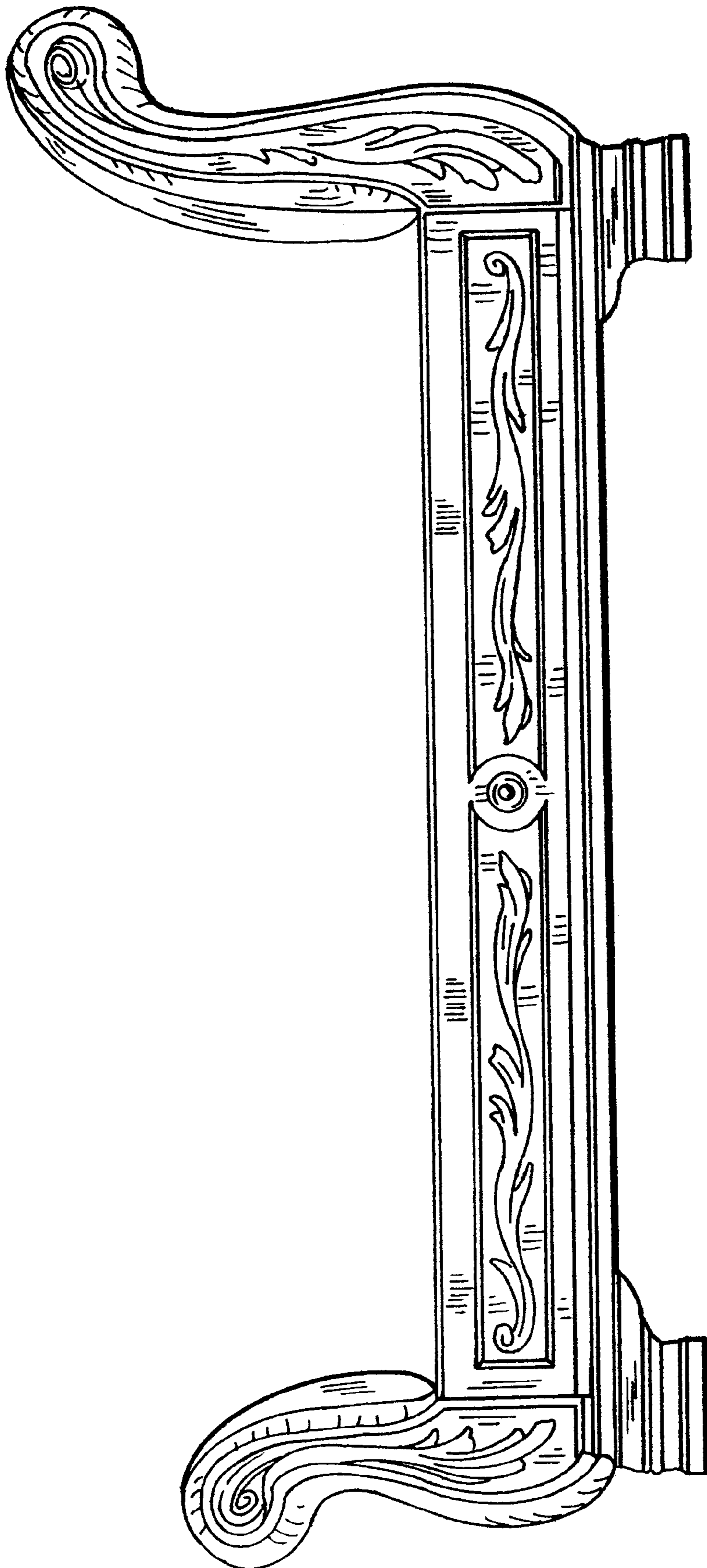


FIG. 9