



US00D412794S

United States Patent [19] Massey

[11] Patent Number: Des. 412,794

[45] Date of Patent: ** Aug. 17, 1999

[54] **INFLATABLE BED FOR A TENT**

[76] Inventor: **Robert Massey**, 300 Ouachita 154 Rd.,
Camden, Ark. 71701

[**] Term: **14 Years**

[21] Appl. No.: **29/044,528**

[22] Filed: **Sep. 26, 1995**

[51] **LOC (6) Cl.** **06-01**

[52] **U.S. Cl.** **D6/384; D6/382; D21/254**

[58] **Field of Search** **D21/253-255;**
D6/382, 383, 384, 397; 5/2.1; 135/95, 121,
116, 120.1; 52/2.22

2,943,634 7/1960 Morgan 135/121

3,330,228 7/1967 Donnelly D6/382

4,317,315 3/1982 LeBlang 52/2

4,531,330 7/1985 Phillips 52/2

4,590,956 5/1986 Grisenbeck 135/116

4,729,137 3/1988 Denney 135/121

4,819,389 4/1989 Kihn 52/2

5,007,212 4/1991 Fritts et al. 52/2.18

5,438,717 8/1995 Wells 135/121

Primary Examiner—Raphael Barkai

[57] CLAIM

I claim the ornamental design for an inflatable bed for a tent, as shown and described.

DESCRIPTION

FIG. 1 is a perspective view of the inflatable bed for a tent showing my new design;

FIG. 2 is a front elevational view thereof;

FIG. 3 is a rear elevational view thereof;

FIG. 4 is a right side view thereof;

FIG. 5 is a left side view thereof;

FIG. 6 is a top plan view thereof; and,

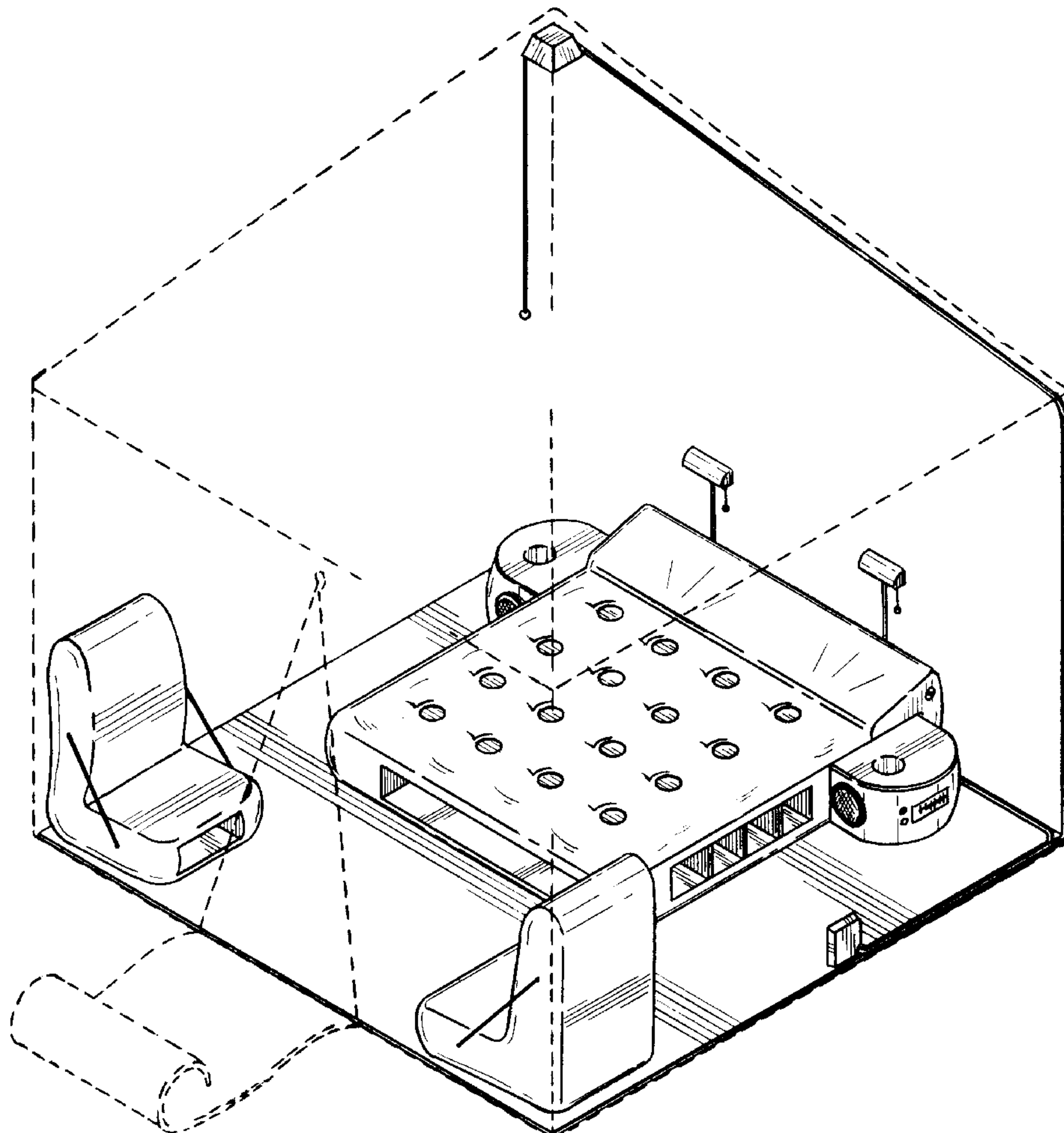
FIG. 7 is a bottom plan view thereof.

1 Claim, 4 Drawing Sheets

[56] **References Cited**

U.S. PATENT DOCUMENTS

D. 236,671	9/1975	Ponzoni	D6/384
D. 241,291	9/1976	Offredi	D6/384
D. 281,379	11/1985	Isham et al.	D6/382
D. 306,472	3/1990	Scheurer	D6/382
D. 339,479	9/1993	Anderson	D6/382
D. 353,967	1/1995	Moore	D21/254
2,134,879	11/1938	Levy	135/156



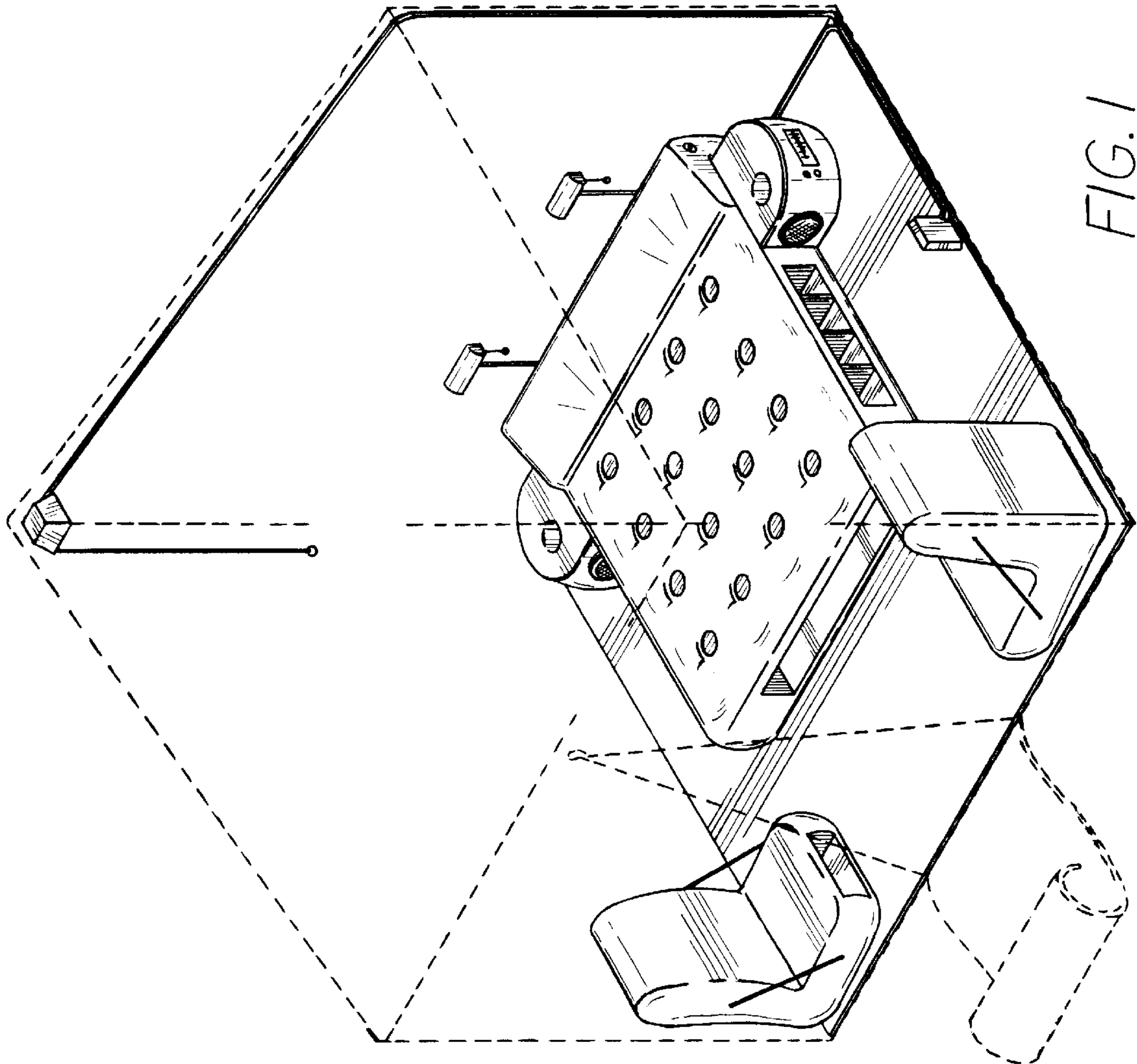


FIG. 1

FIG.3

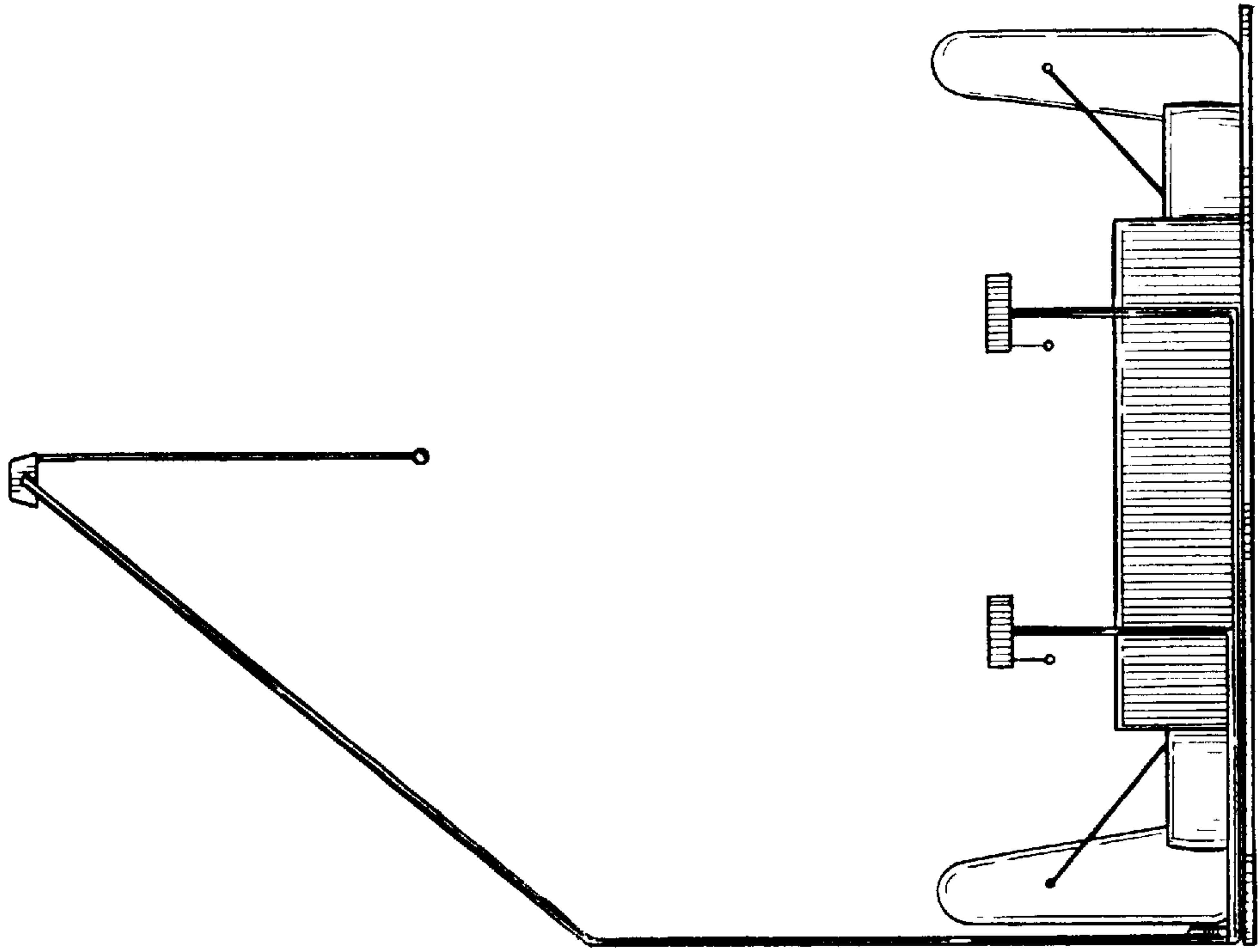


FIG.2

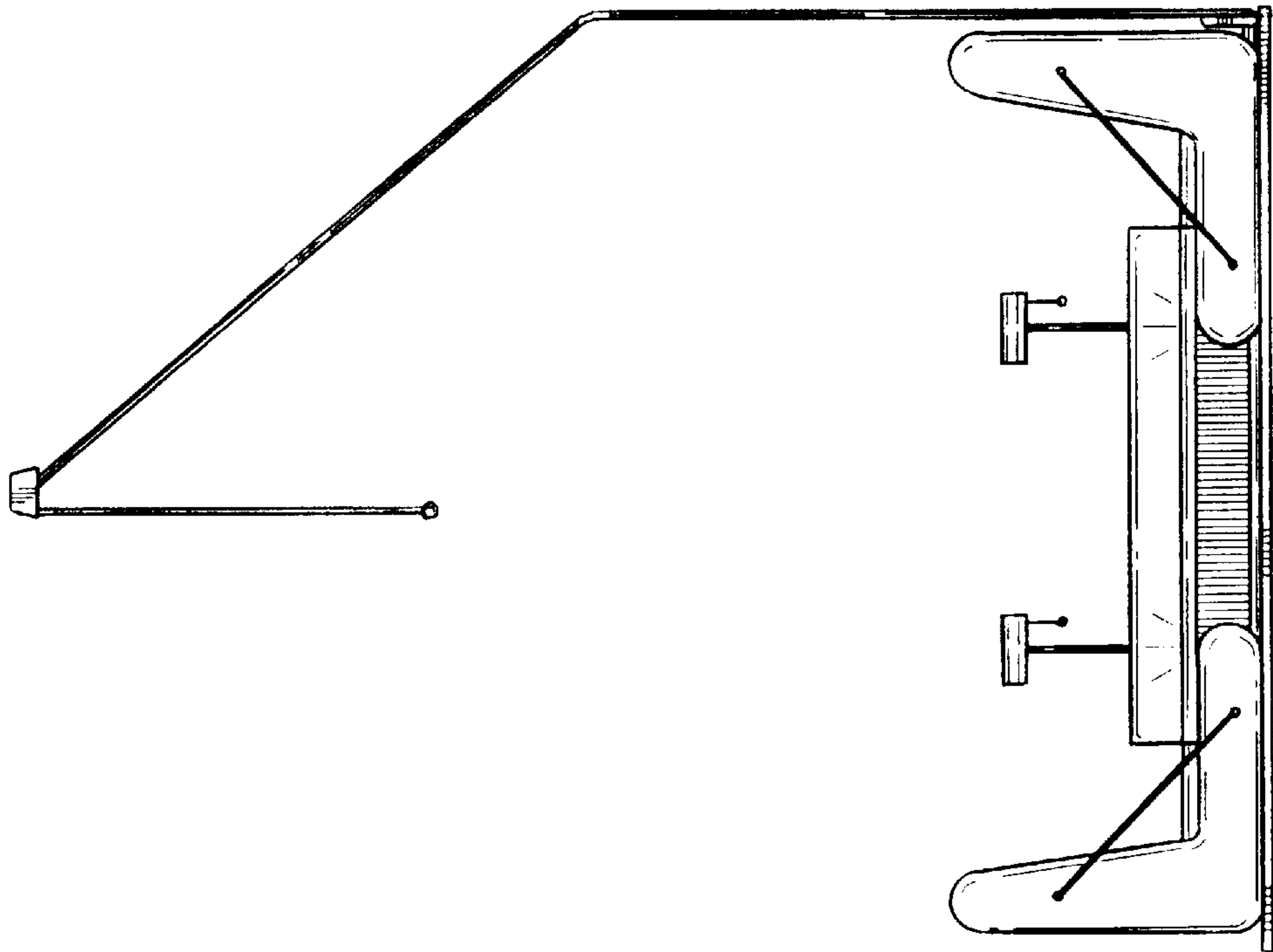


FIG.5

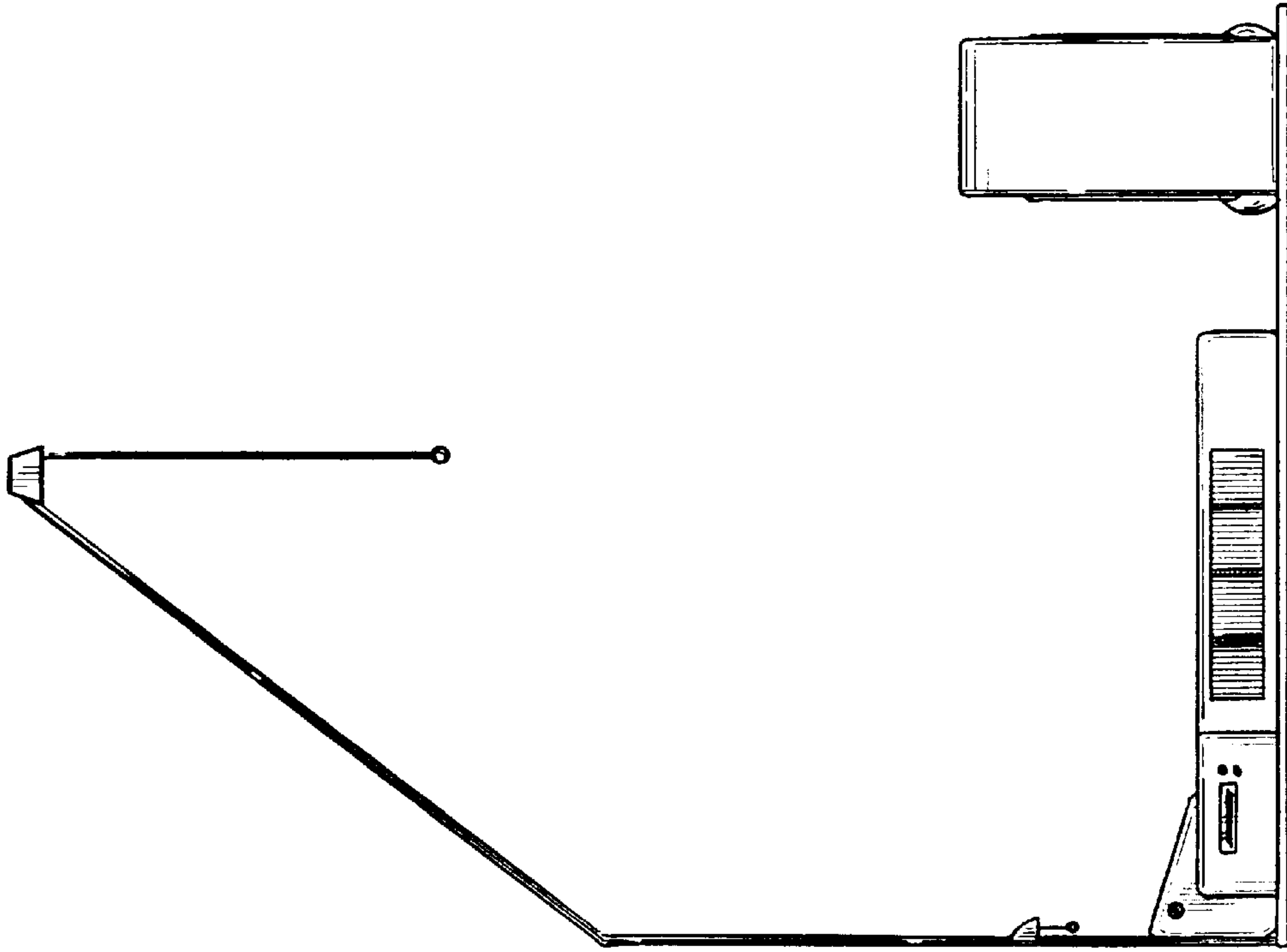
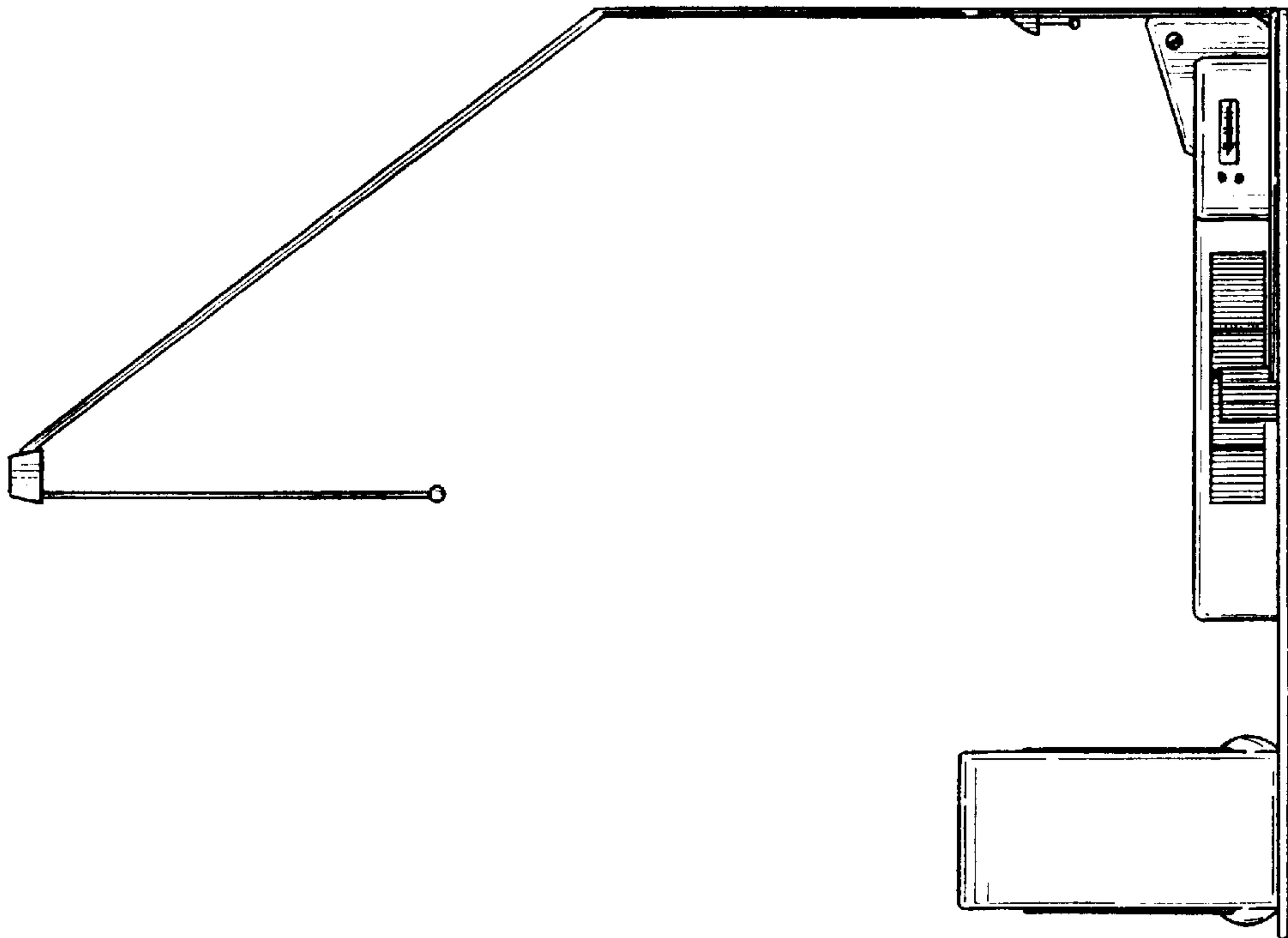


FIG.4



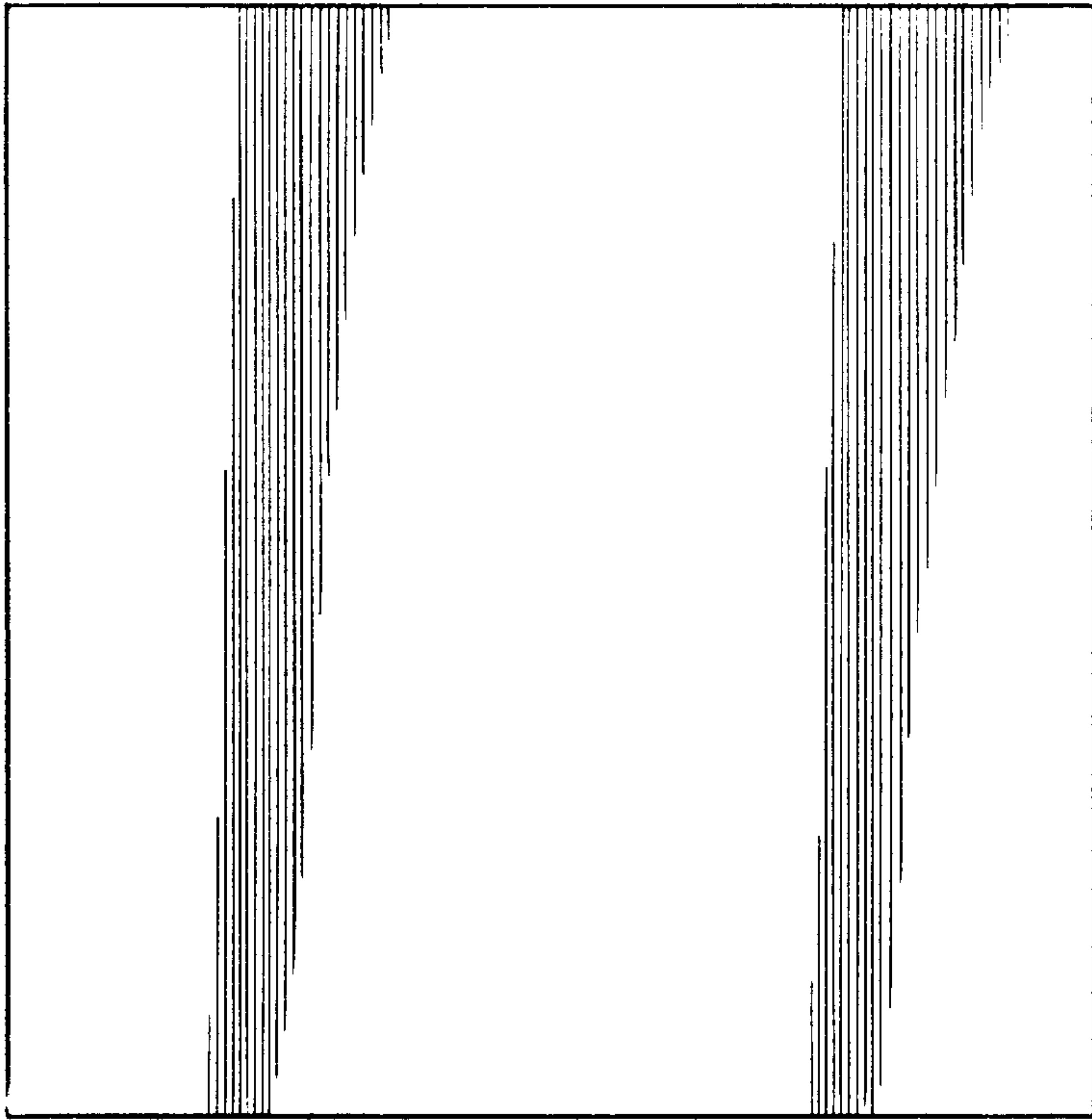


FIG. 7

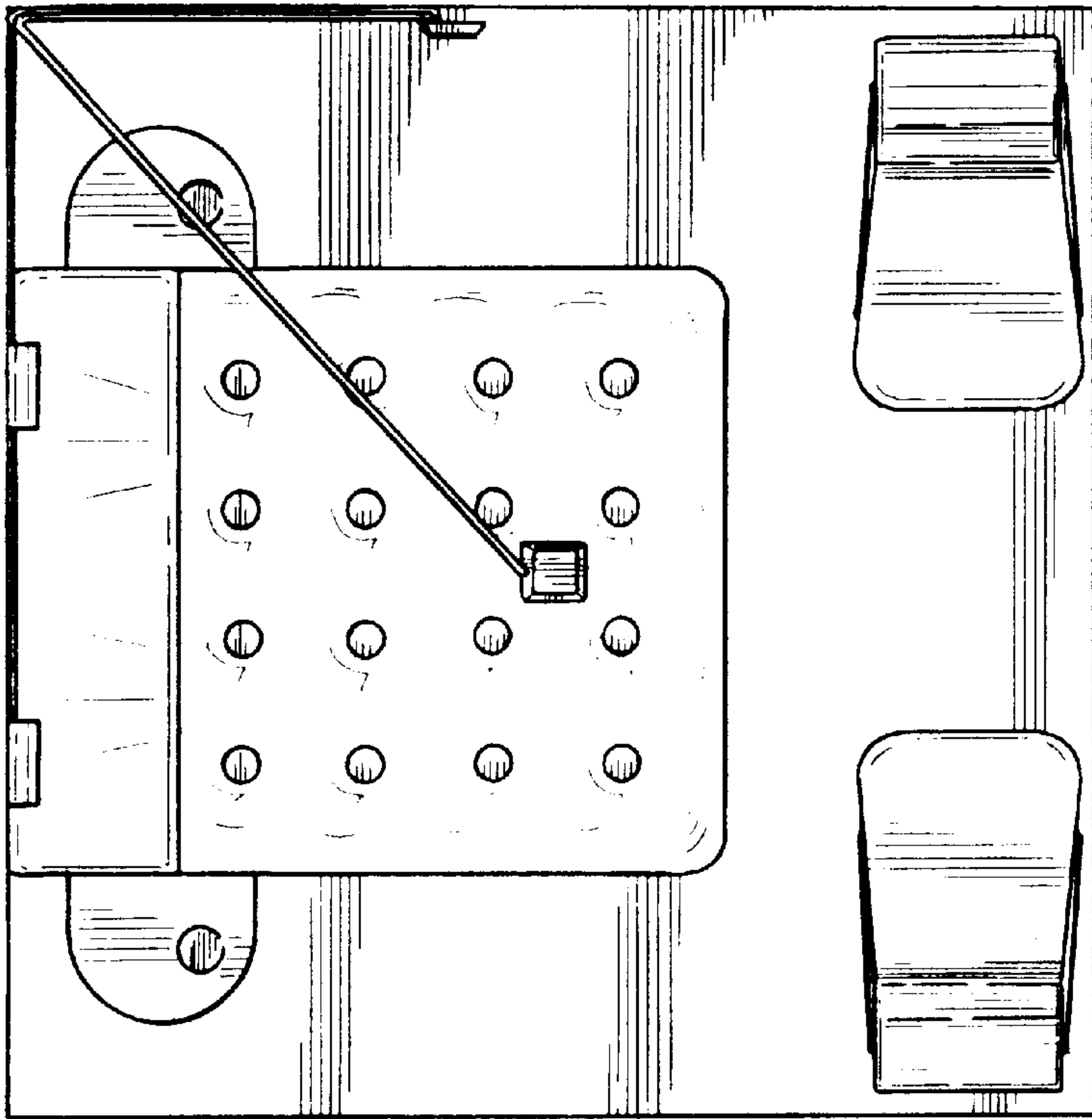


FIG. 6