



US00D412789S

United States Patent [19] Suk

[11] **Patent Number: Des. 412,789**

[45] **Date of Patent: ** Aug. 17, 1999**

[54] **GOLF BAG COLLAR**

[76] Inventor: **Young J. Suk**, 270 Glen Cover Ave.,
Sea Cliff, N.Y. 11579

[**] Term: **14 Years**

[21] Appl. No.: **29/096,286**

[22] Filed: **Nov. 9, 1998**

[51] **LOC (6) Cl. 03-99**

[52] **U.S. Cl. D3/320**

[58] **Field of Search** D3/255, 259, 319-321;
206/315.2, 315.3, 315.4, 315.5, 315.6, 315.7,
315.8; 248/96, 99-101; D19/75

[56] **References Cited**

U.S. PATENT DOCUMENTS

D. 331,660	12/1992	Souhrada et al.	D3/255
D. 364,737	12/1995	Perrin	D3/255
D. 367,556	3/1996	Perrin	D3/255
D. 382,707	8/1997	Wang	D3/255
D. 389,311	1/1998	Wang	D3/320
D. 402,469	12/1998	Suk	D3/320
4,685,561	8/1987	Reimers	248/96

5,147,089	9/1992	Anderson	248/96
5,356,003	10/1994	Gretz et al.	206/315.7
5,593,077	1/1997	Izzo	206/315.3
5,735,398	4/1998	Price	206/315.3
5,769,219	6/1998	Shimel	206/315.3

Primary Examiner—Louis S. Zarfaz
Assistant Examiner—Robert Delehanty
Attorney, Agent, or Firm—Myron Amer PC

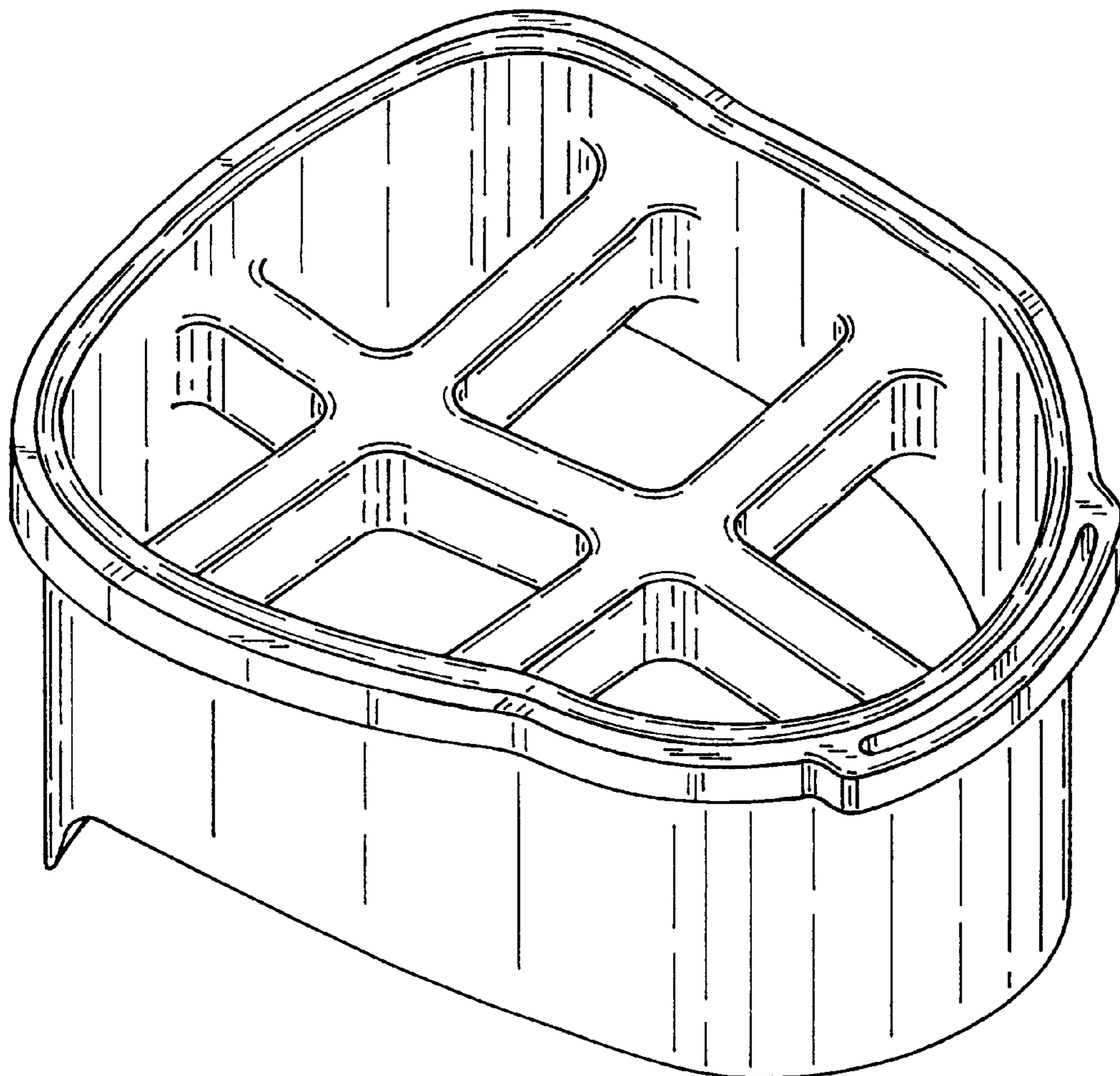
[57] **CLAIM**

The ornamental design for a golf bag collar, as shown and described.

DESCRIPTION

FIG. 1 is a perspective view of a golf bag collar showing my new design;
FIG. 2 is a left side elevational view thereof;
FIG. 3 is a right side elevational view thereof;
FIG. 4 is a front elevational view thereof;
FIG. 5 is a rear elevational view thereof;
FIG. 6 is a plan view thereof; and,
FIG. 7 is a bottom view thereof.

1 Claim, 3 Drawing Sheets



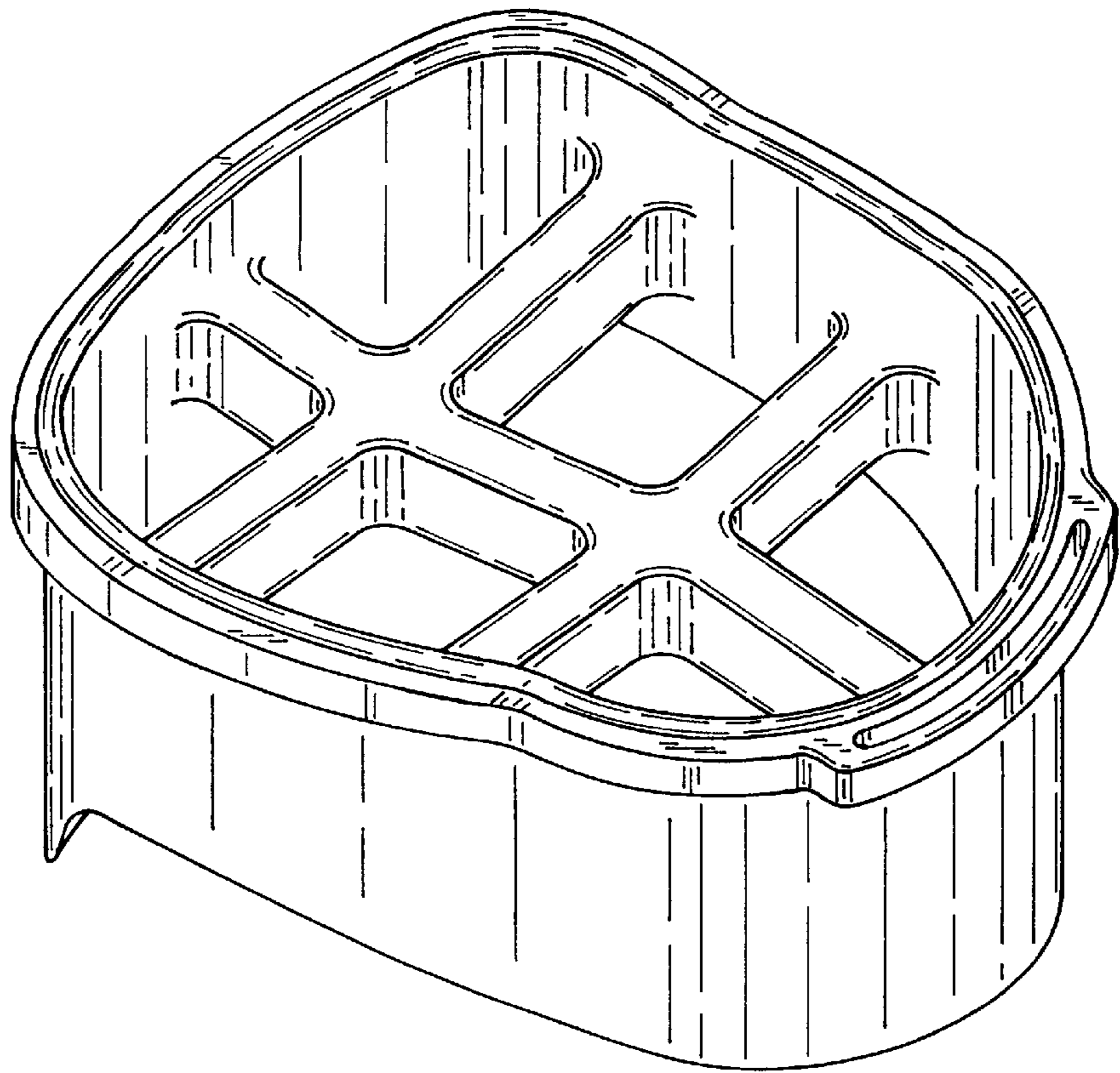


FIG. 1

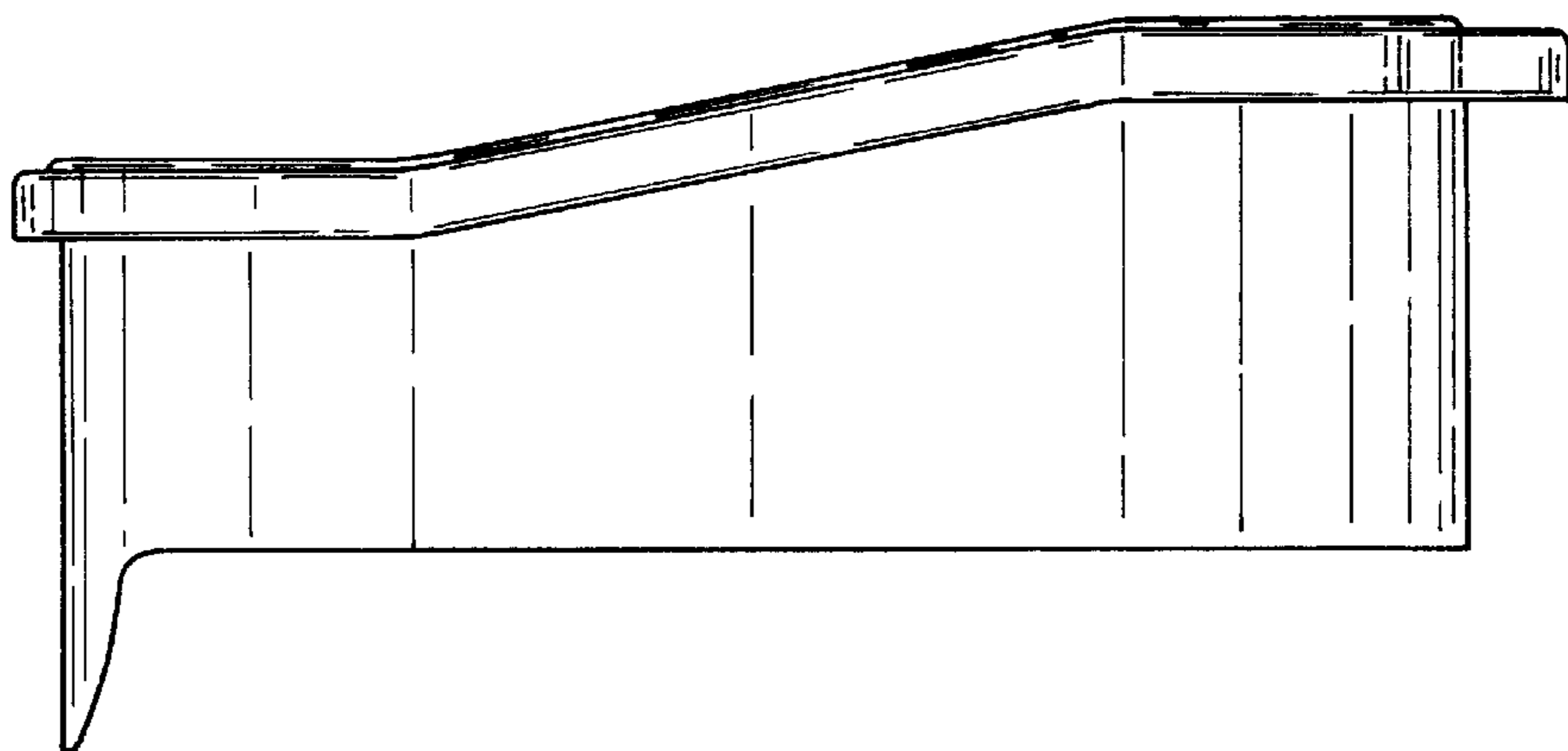


FIG. 2

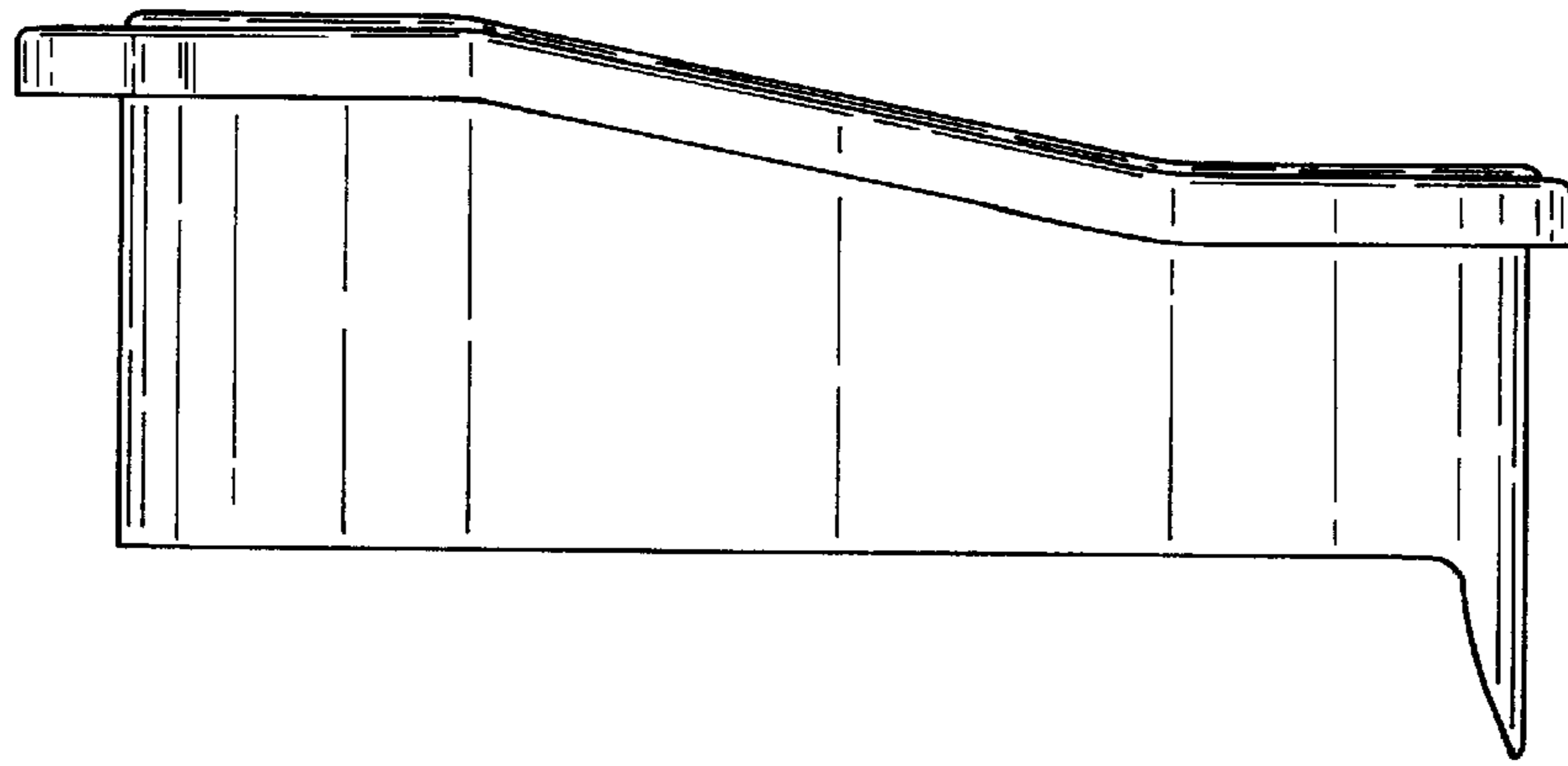


FIG. 3

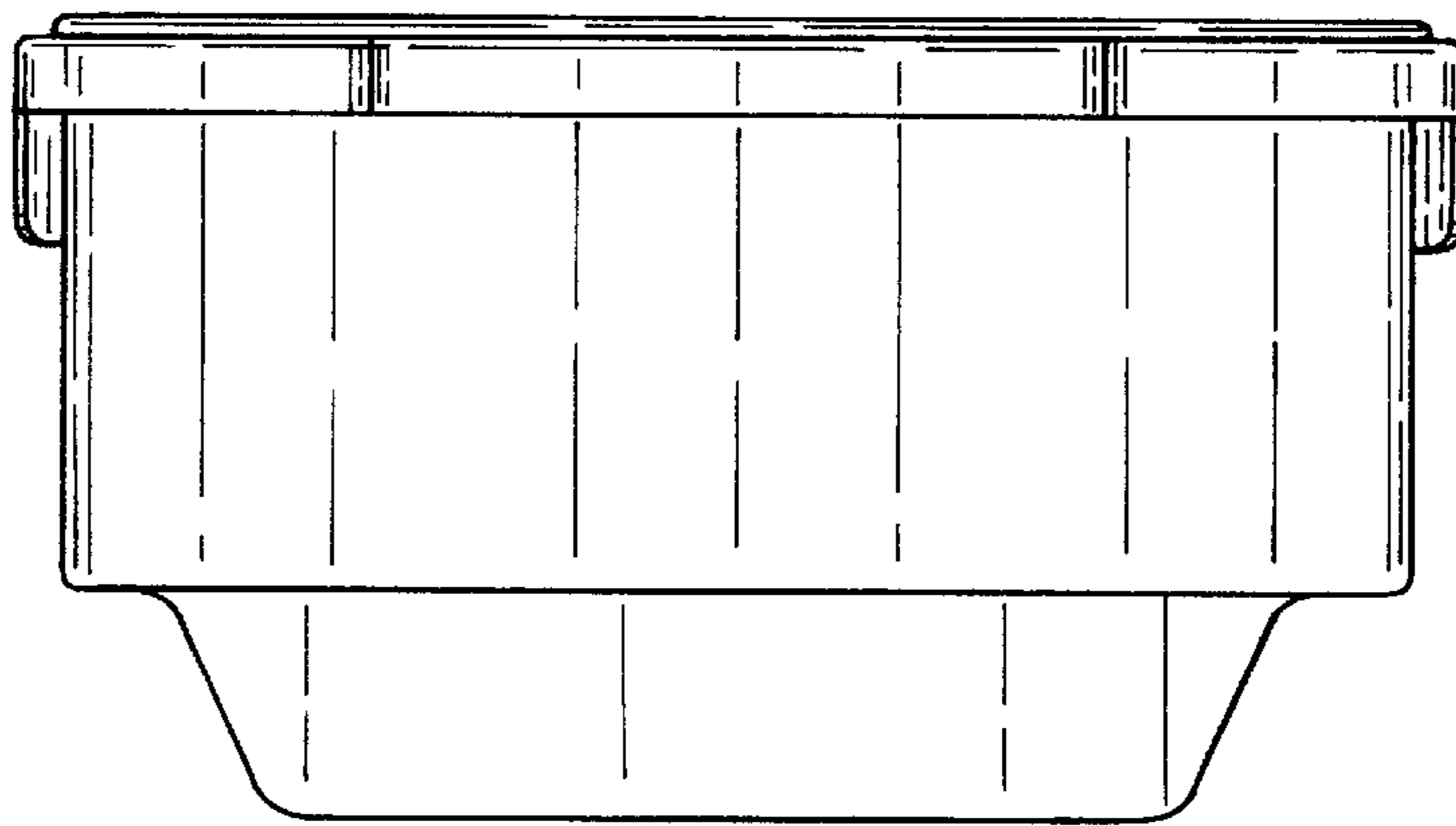


FIG. 4

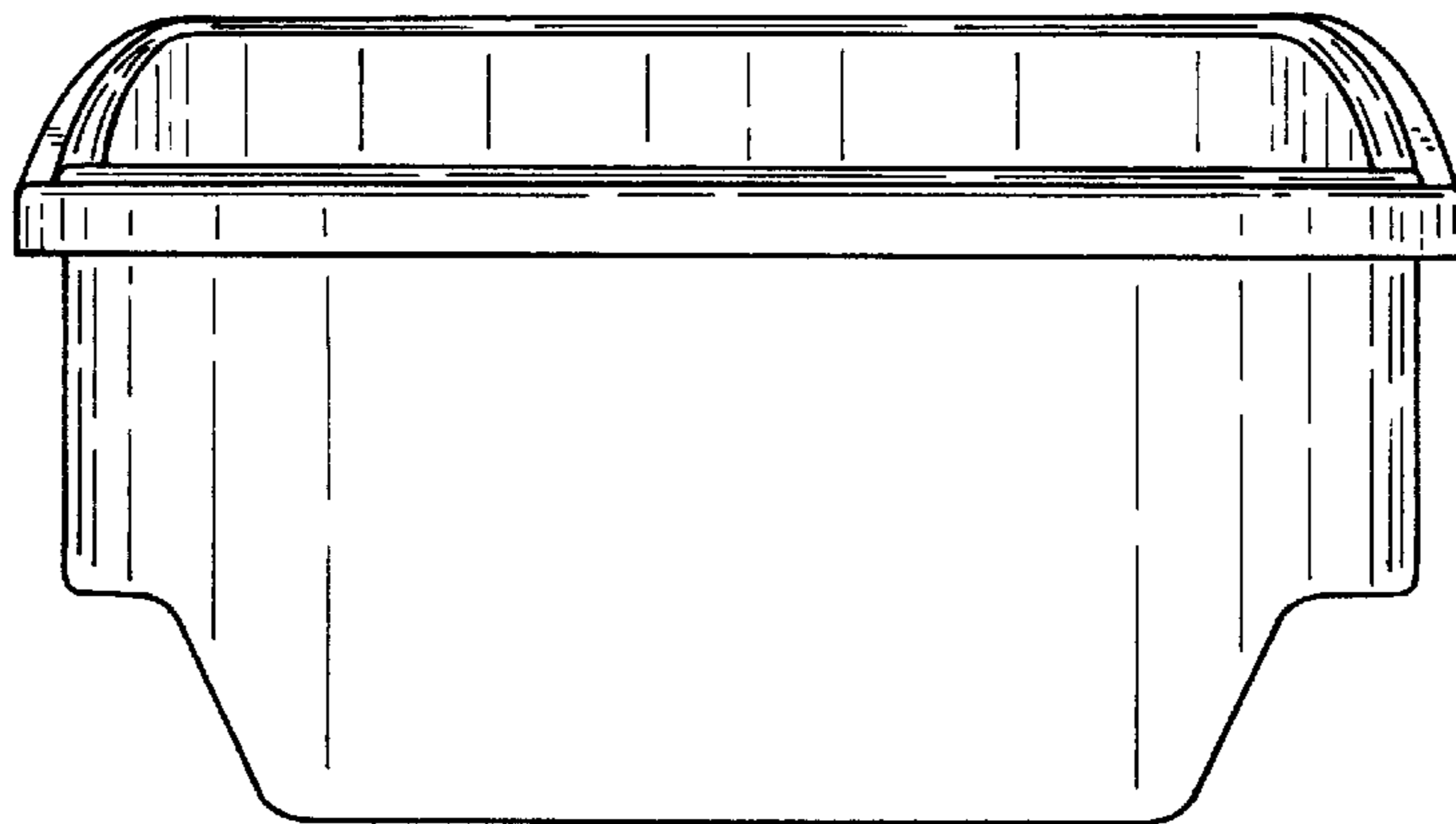


FIG. 5

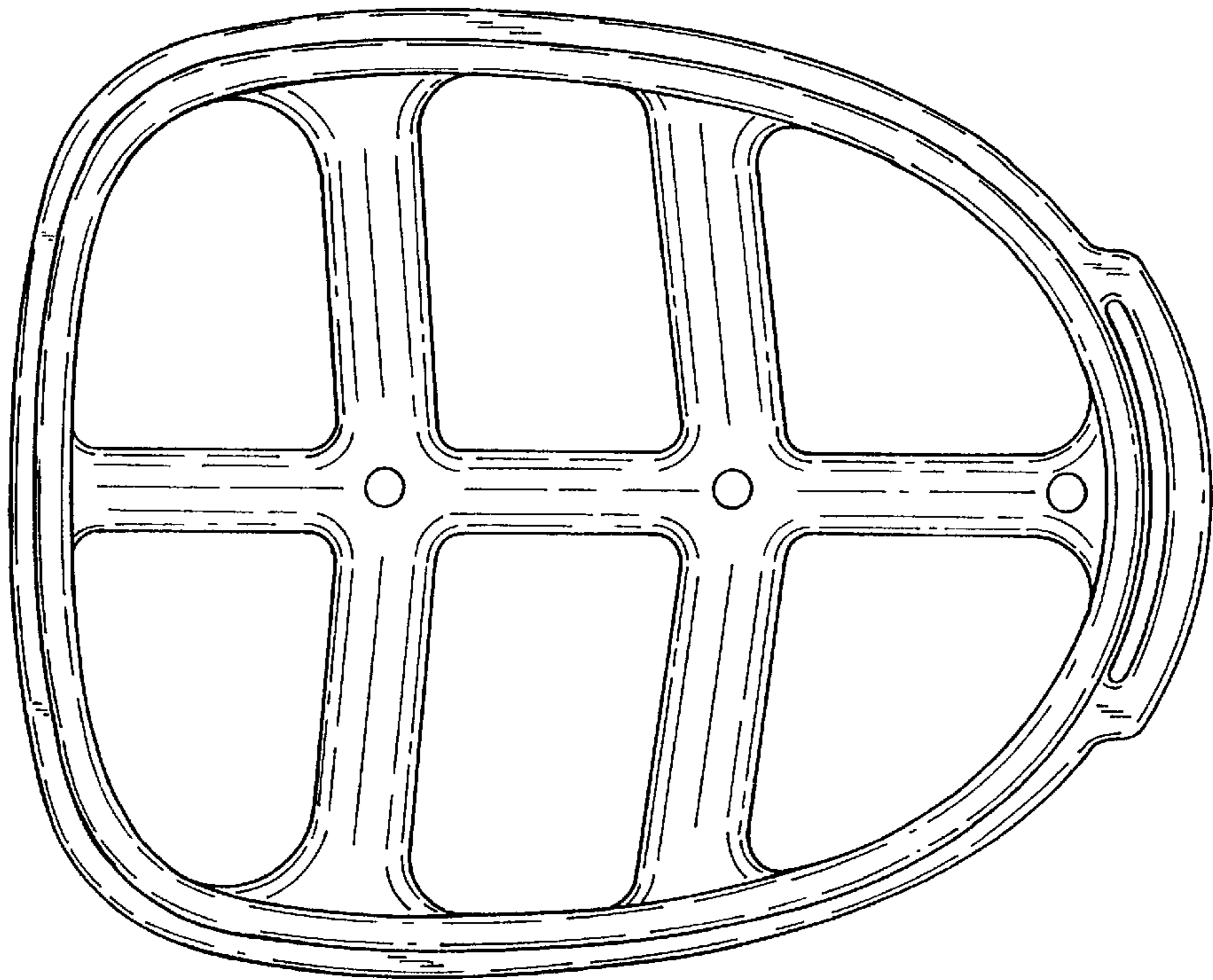


FIG. 6

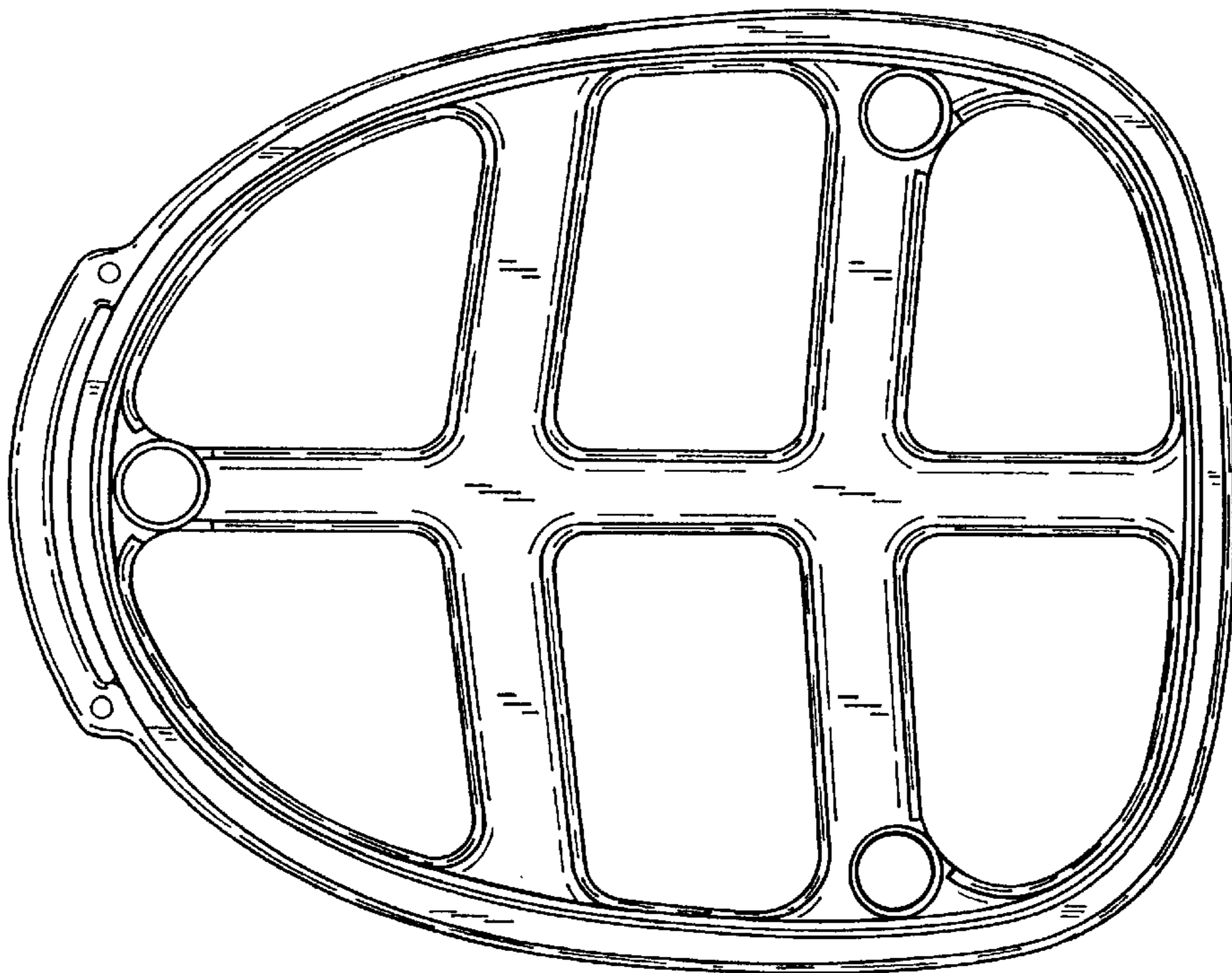


FIG. 7